



US00D708255S

(12) **United States Design Patent**  
**Stevens et al.**

(10) **Patent No.:** **US D708,255 S**  
(45) **Date of Patent:** **\*\* Jul. 1, 2014**

(54) **ADHESIVE TAPE**

(76) Inventors: **Chad Alan Stevens**, Sarasota, FL (US);  
**Ellis Robinson Giles**, Houston, TX (US)

(\*\*) Term: **14 Years**

(21) Appl. No.: **29/398,142**

(22) Filed: **Jul. 26, 2011**

(51) **LOC (10) Cl.** ..... **19-02**

(52) **U.S. Cl.**  
USPC ..... **D19/69**

(58) **Field of Classification Search**  
USPC ..... D10/71; D19/69; D24/189; D5/99;  
33/494, 758, 562, 759; 101/288;  
206/390; 40/638, 641; 428/43; D7/585;  
D20/22, 42; D13/182  
See application file for complete search history.

(56) **References Cited**

**U.S. PATENT DOCUMENTS**

4,007,835	A *	2/1977	Klothe	206/411
4,223,055	A *	9/1980	Castelluzzo et al.	428/41.9
5,712,210	A *	1/1998	Windisch et al.	442/320
D421,528	S *	3/2000	Shakora	D5/99
6,444,307	B1 *	9/2002	Tuoriniemi	428/343
D472,319	S *	3/2003	Oltmann	D24/189
6,756,102	B1 *	6/2004	Galo	428/43
6,772,532	B1 *	8/2004	Honea	33/759
D571,859	S *	6/2008	Harmston	D19/69
D572,156	S *	7/2008	Payne	D10/71
D602,988	S *	10/2009	Alicea et al.	D19/69
D602,989	S *	10/2009	Alicea et al.	D19/69
D611,541	S *	3/2010	Yonestu et al.	D19/69

D634,128	S *	3/2011	Alicea et al.	D5/7
D645,512	S *	9/2011	Matsumoto et al.	D19/69
D663,778	S *	7/2012	Fung et al.	D19/99

\* cited by examiner

*Primary Examiner* — Austin Murphy

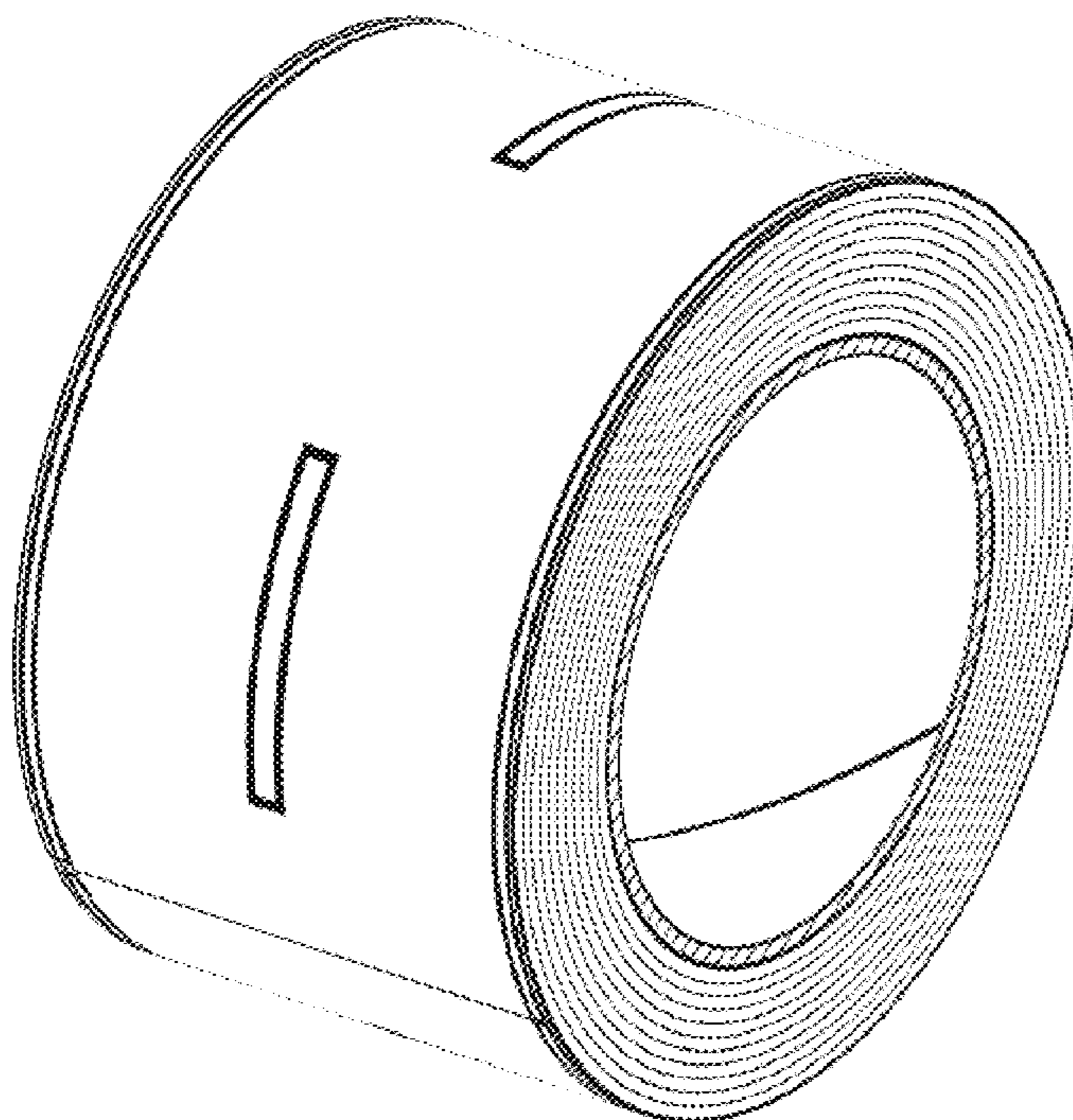
(57) **CLAIM**

The ornamental design for an adhesive tape, as shown and described.

**DESCRIPTION**

FIG. 1 is a front view of a first embodiment of a section of an adhesive tape showing the claimed design;  
 FIG. 2 is a back view thereof;  
 FIG. 3 is a top view thereof, which is a mirror image to a bottom view;  
 FIG. 4 is a right side view thereof, which is a mirror image to a left side view;  
 FIG. 5 is a front perspective view thereof;  
 FIG. 6 is a perspective view of a first embodiment of a roll of an adhesive tape showing the claimed design;  
 FIG. 7 is a front view of a second embodiment of a section of an adhesive tape showing the claimed design;  
 FIG. 8 is a back view thereof;  
 FIG. 9 is a top view thereof, which is a mirror image to a bottom view;  
 FIG. 10 is a right side view thereof, which is a mirror image to a left side view;  
 FIG. 11 is a front perspective view thereof; and,  
 FIG. 12 is a perspective view of a second embodiment of a roll of an adhesive tape showing the claimed design.

**1 Claim, 6 Drawing Sheets**



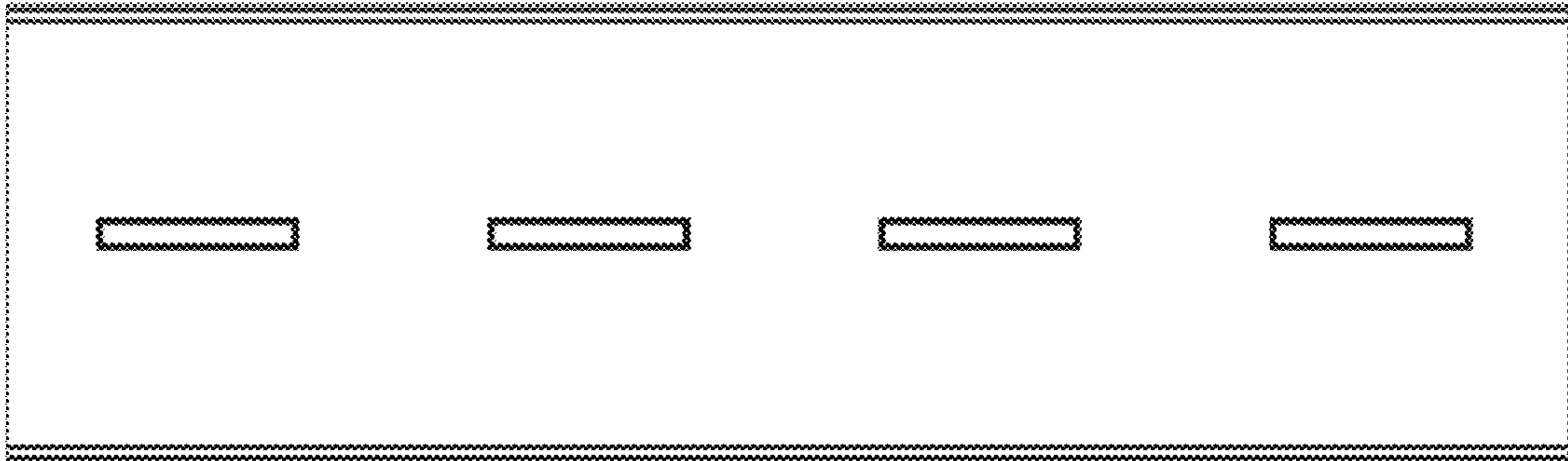


FIG. 1



FIG. 2

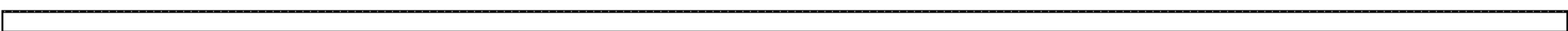


FIG. 3



FIG. 4

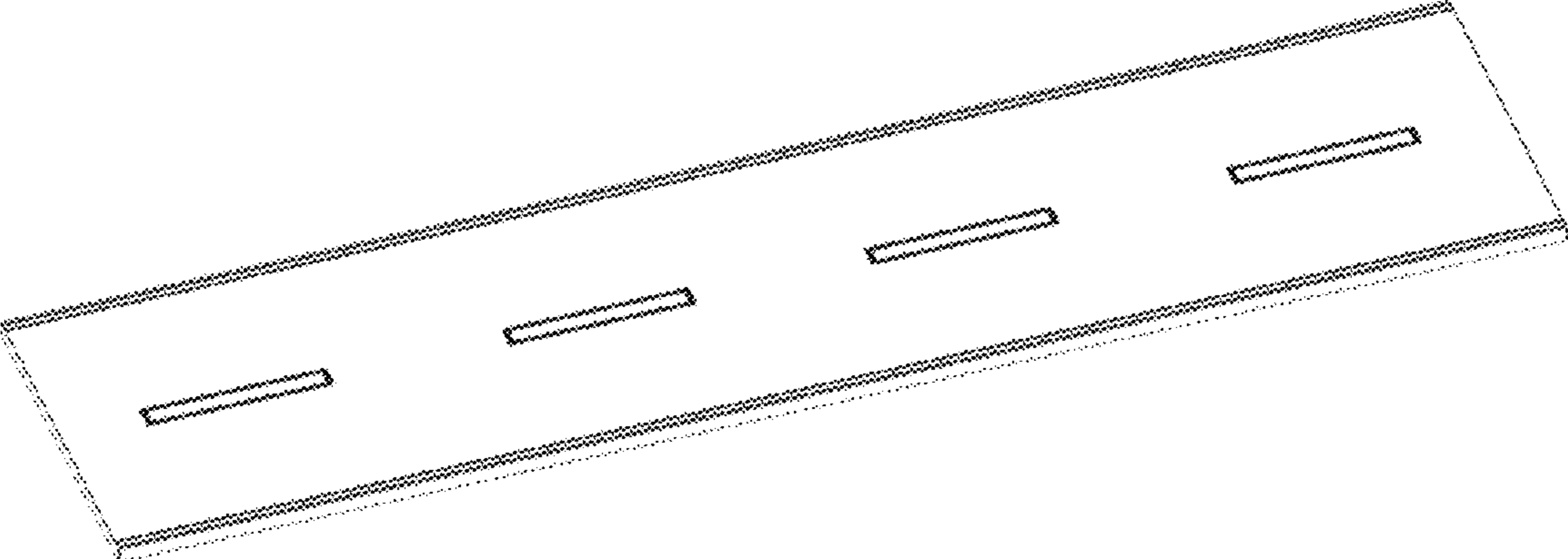


FIG. 5

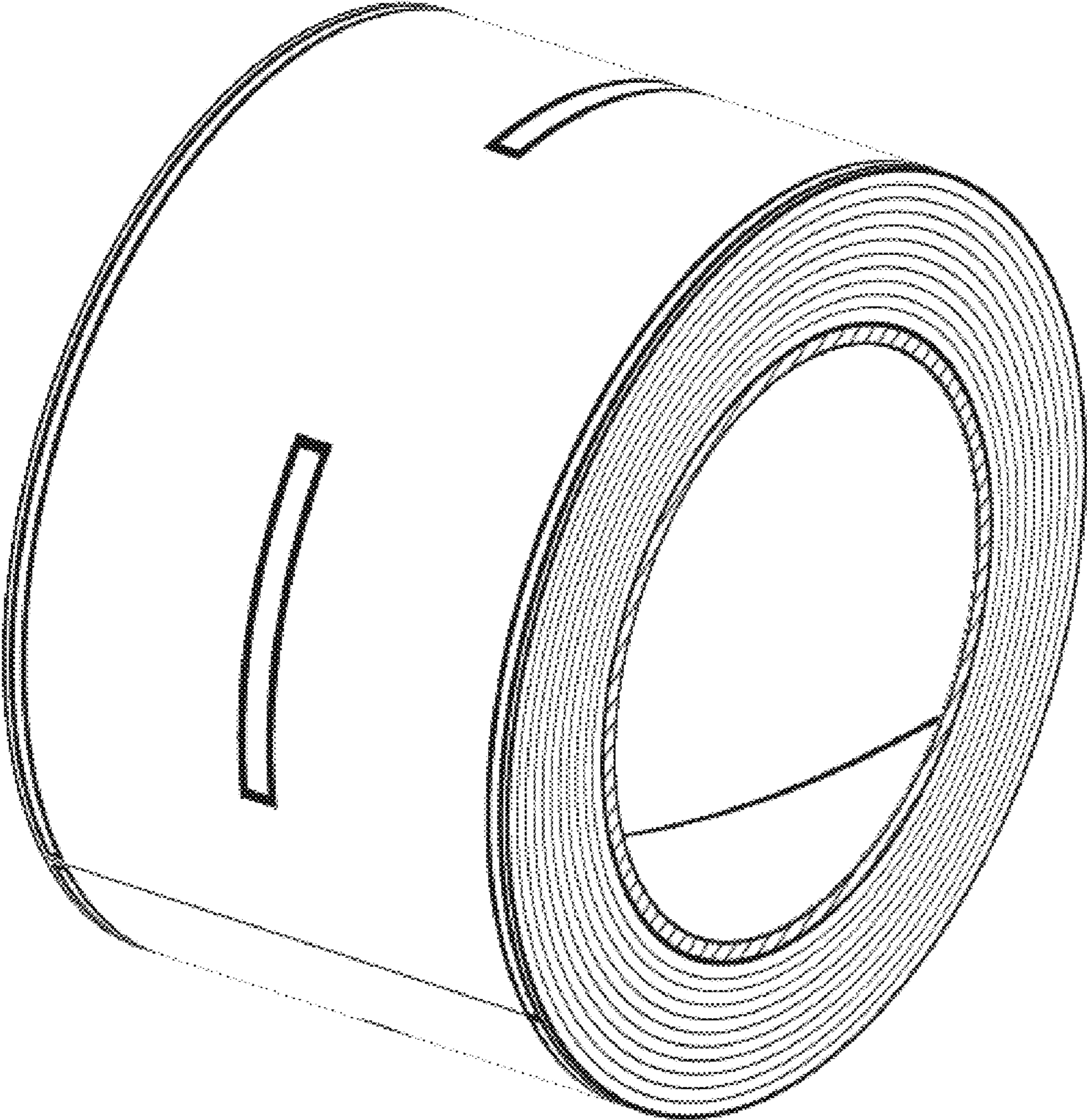


FIG. 6

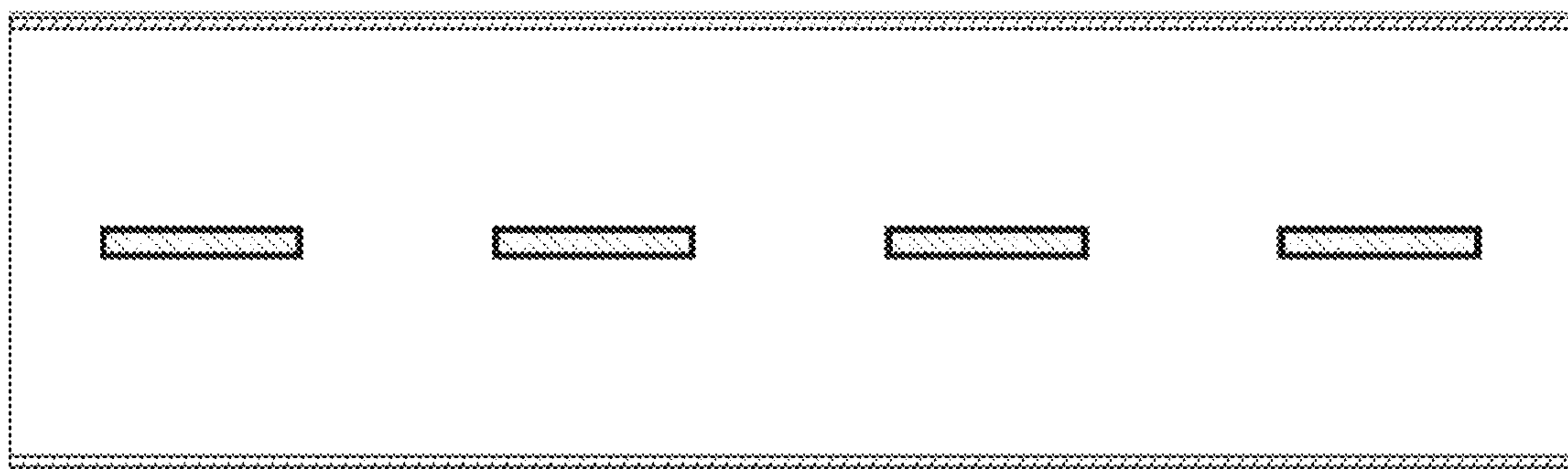


FIG. 7



FIG. 8

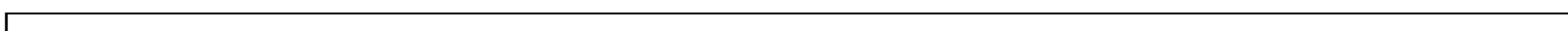


FIG. 9



FIG. 10

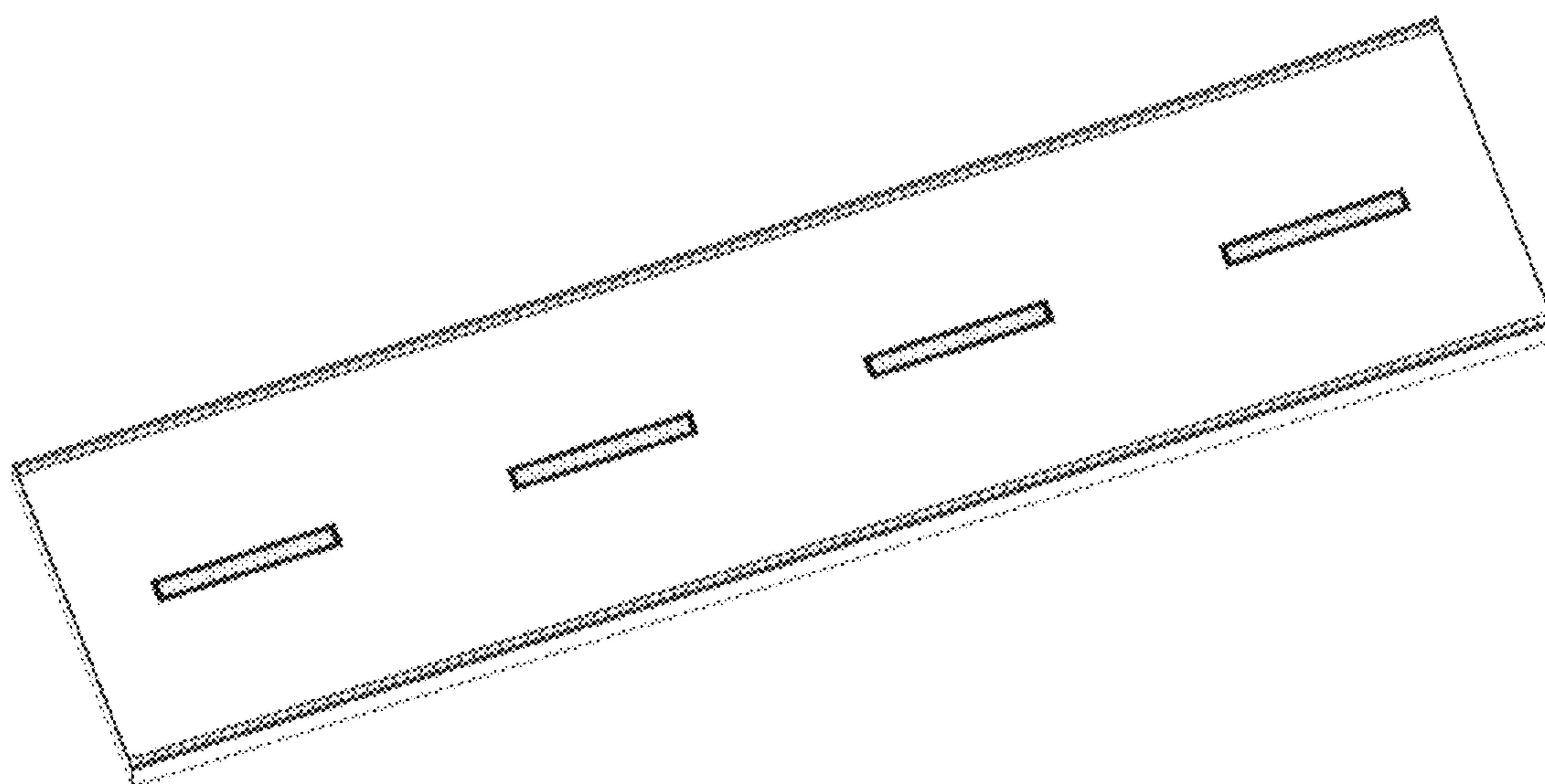


FIG. 11

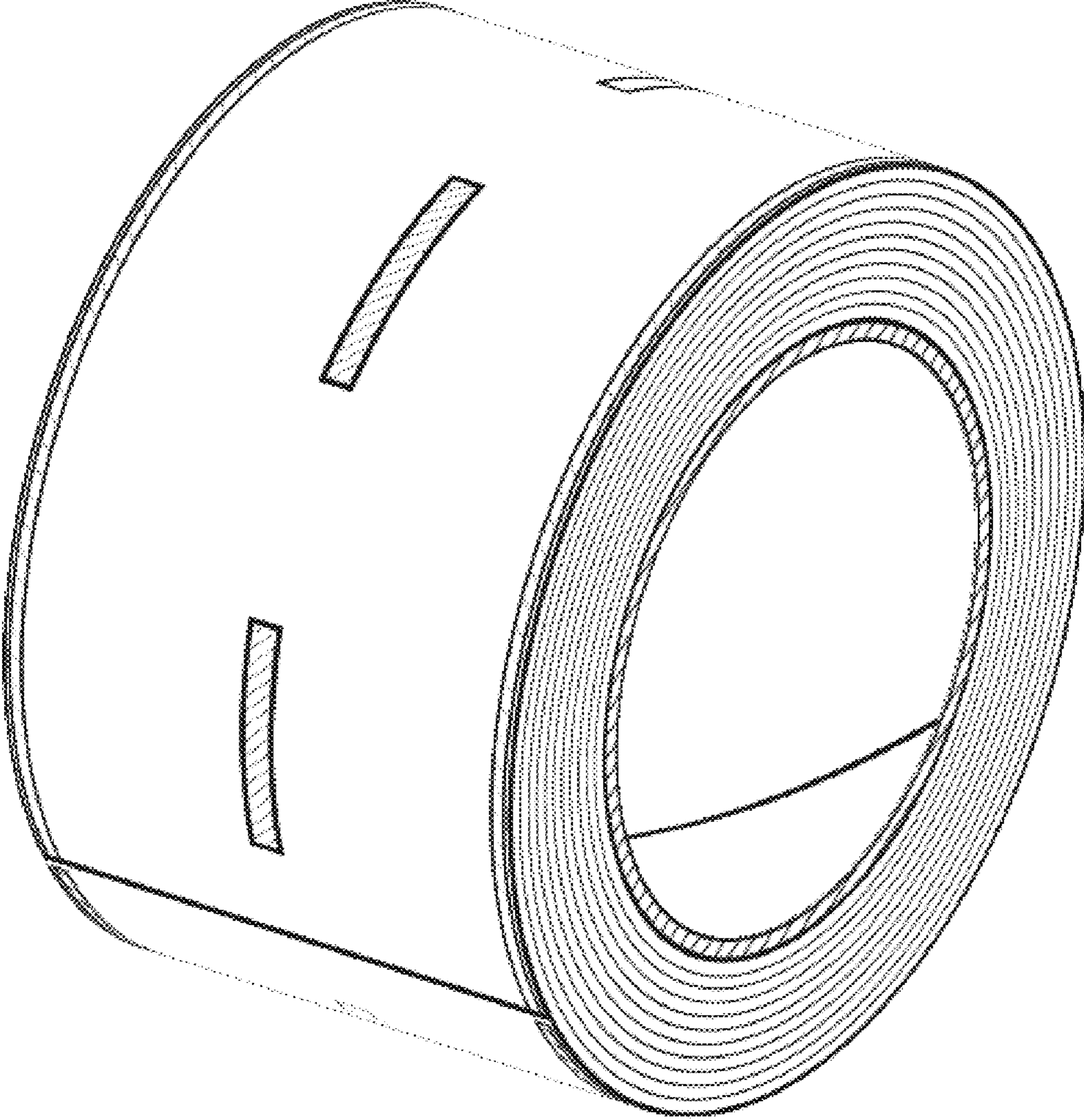


FIG. 12