



US00D708251S

(12) **United States Design Patent**
Chen et al.

(10) **Patent No.:** **US D708,251 S**
(45) **Date of Patent:** **** Jul. 1, 2014**

(54) **PHOTOGRAPHIC FLASH HEAD**

(75) Inventors: **Yuan Bo Chen**, Guangdong Province (CN); **Hung Lok Poon**, Kln (HK)

(73) Assignee: **Eternal Fortune (HK) Ltd.**, Kwun Tong, Kln (HK)

(**) Term: **14 Years**

(21) Appl. No.: **29/413,199**

(22) Filed: **Feb. 13, 2012**

(30) **Foreign Application Priority Data**

Sep. 26, 2011 (CN) 2011 3 0341089

(51) **LOC (10) Cl.** **16-05**

(52) **U.S. Cl.**
USPC **D16/240**

(58) **Field of Classification Search**
USPC D16/237, 239, 240; D26/24, 37-38, 63, D26/110, 113, 129; 362/3, 16-18, 182, 552, 362/612; D13/180, 182; 313/313-316; 348/370; 396/200

See application file for complete search history.

(56) **References Cited**

U.S. PATENT DOCUMENTS

D342,753 S * 12/1993 Haga D16/239
D343,354 S * 1/1994 Ashley et al. D9/423
5,794,082 A * 8/1998 Matsui et al. 396/56
D562,875 S * 2/2008 Kitera D16/240

OTHER PUBLICATIONS

Phottix Mitros TTL Flash for Canon. [online] Retrieved Oct. 4, 2013 from URL: <http://www.adorama.com/PHMFCA.html?gclid=CKXpkcPp_bkCFROk4AodlXcAzg>.*

* cited by examiner

Primary Examiner — Susan Bennett Hattan

Assistant Examiner — Vy Koenig

(74) *Attorney, Agent, or Firm* — RatnerPrestia

(57) **CLAIM**

The ornamental design for a photographic flash head, as shown and described.

DESCRIPTION

FIG. 1 is a front elevation view of a photographic flash head that is shown in a pivoted configuration;

FIG. 2 is a rear elevation view of the photographic flash head of FIG. 1;

FIG. 3 is a left side elevation view of the photographic flash head of FIG. 1;

FIG. 4 is a right side elevation view of the photographic flash head of FIG. 1;

FIG. 5 is a top plan view of the photographic flash head of FIG. 1;

FIG. 6 is a bottom plan view of the photographic flash head of FIG. 1;

FIG. 7 is a front elevation view of the photographic flash head of FIG. 1, which is shown in a straightened configuration;

FIG. 8 is a rear elevation view of the photographic flash head of FIG. 7;

FIG. 9 is a left side elevation view of the photographic flash head of FIG. 7;

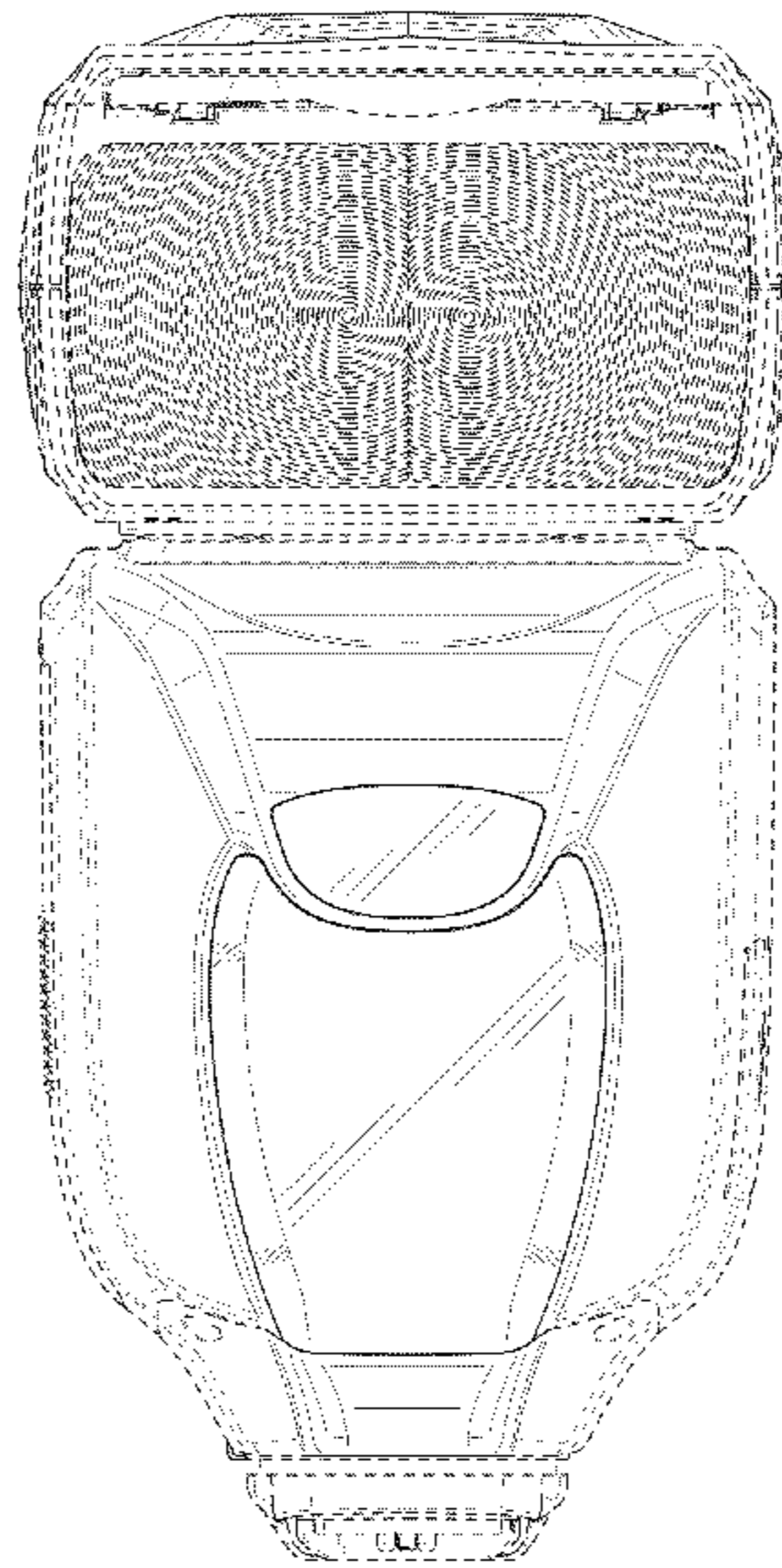
FIG. 10 is a right side elevation view of the photographic flash head of FIG. 7;

FIG. 11 is a top plan view of the photographic flash head of FIG. 7; and,

FIG. 12 is a bottom plan view of the photographic flash head of FIG. 7.

The broken lines shown represent environmental subject matter and form no part of the claimed design.

1 Claim, 11 Drawing Sheets



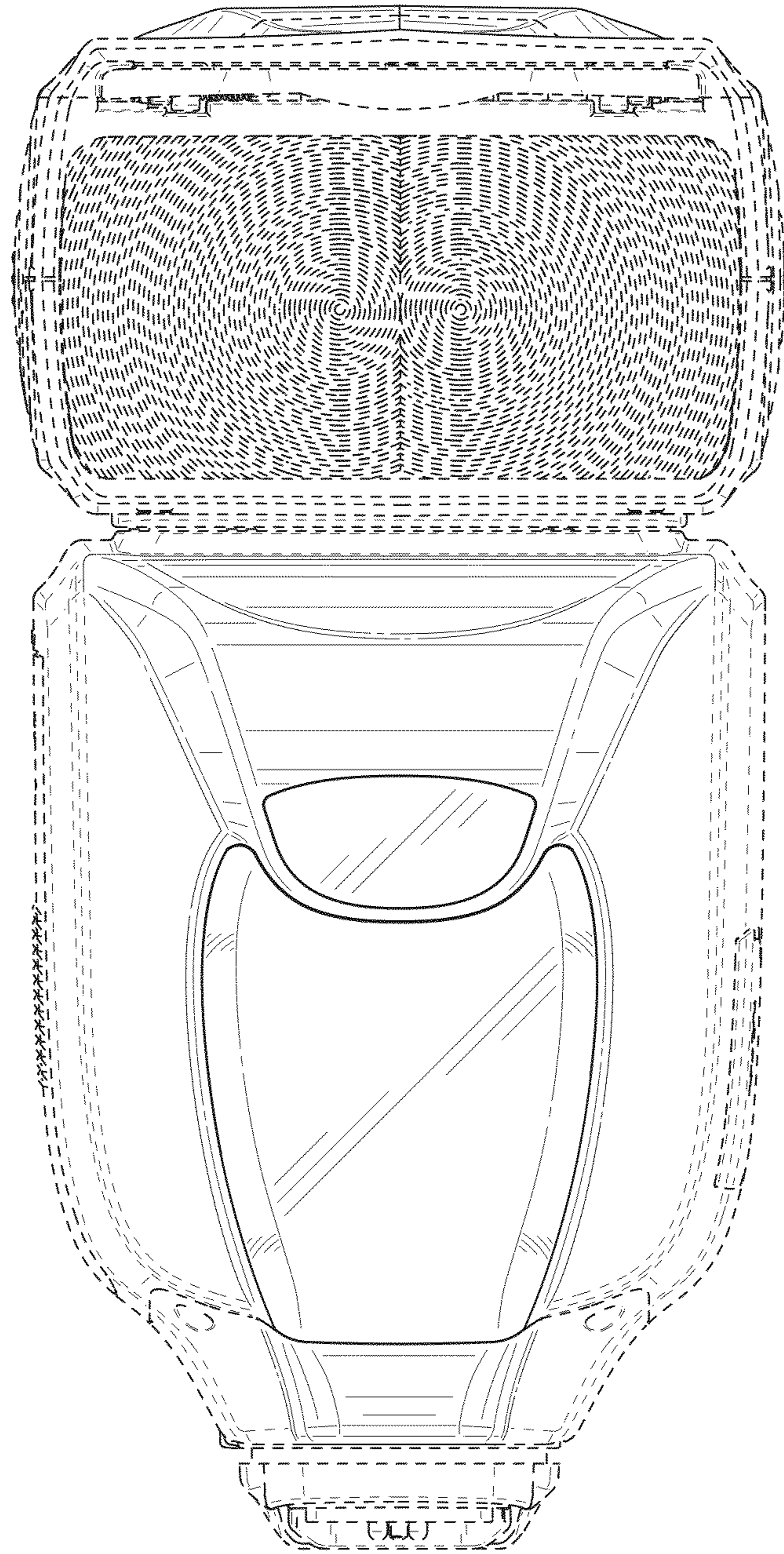


FIG. 1

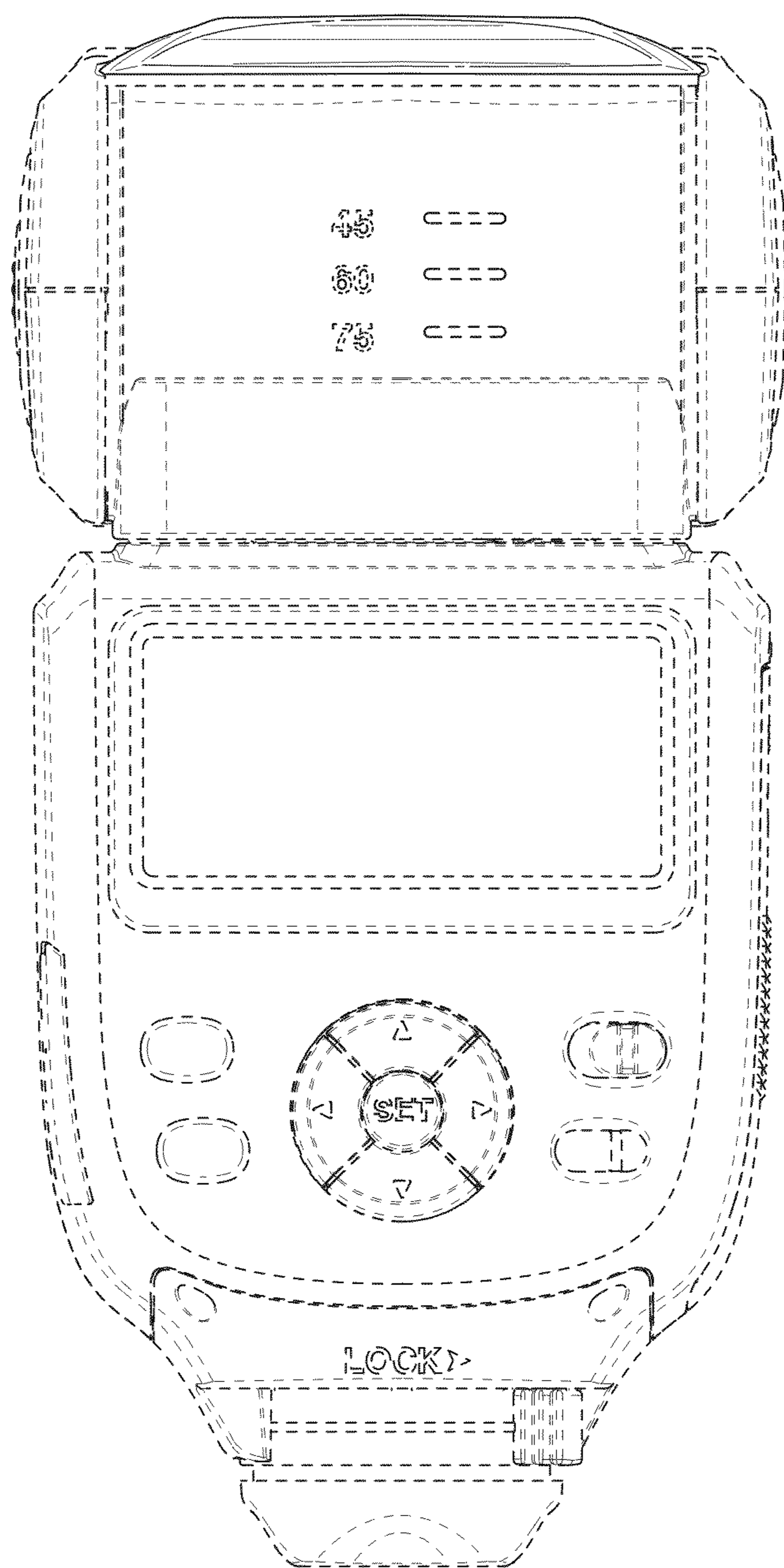


FIG. 2

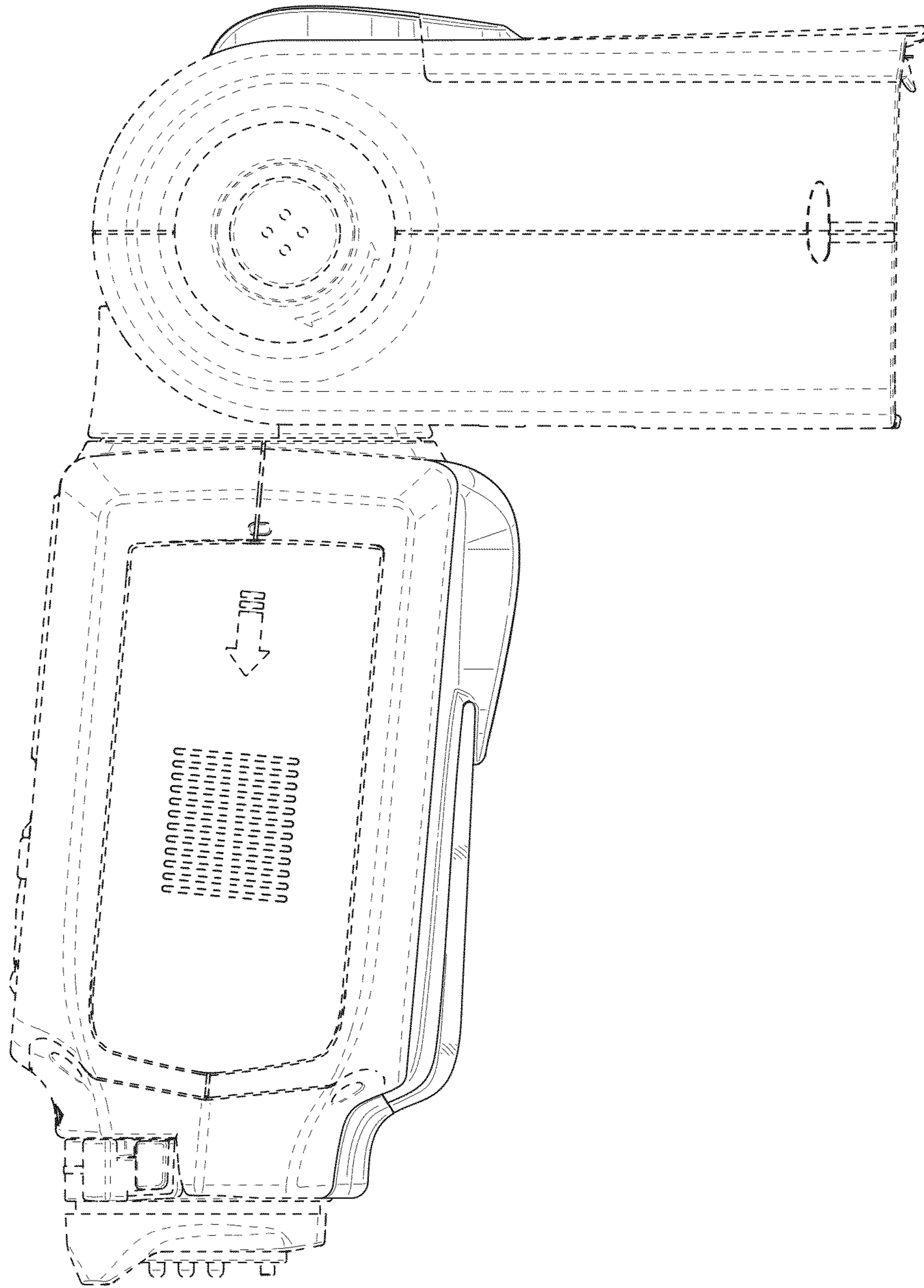


FIG. 3

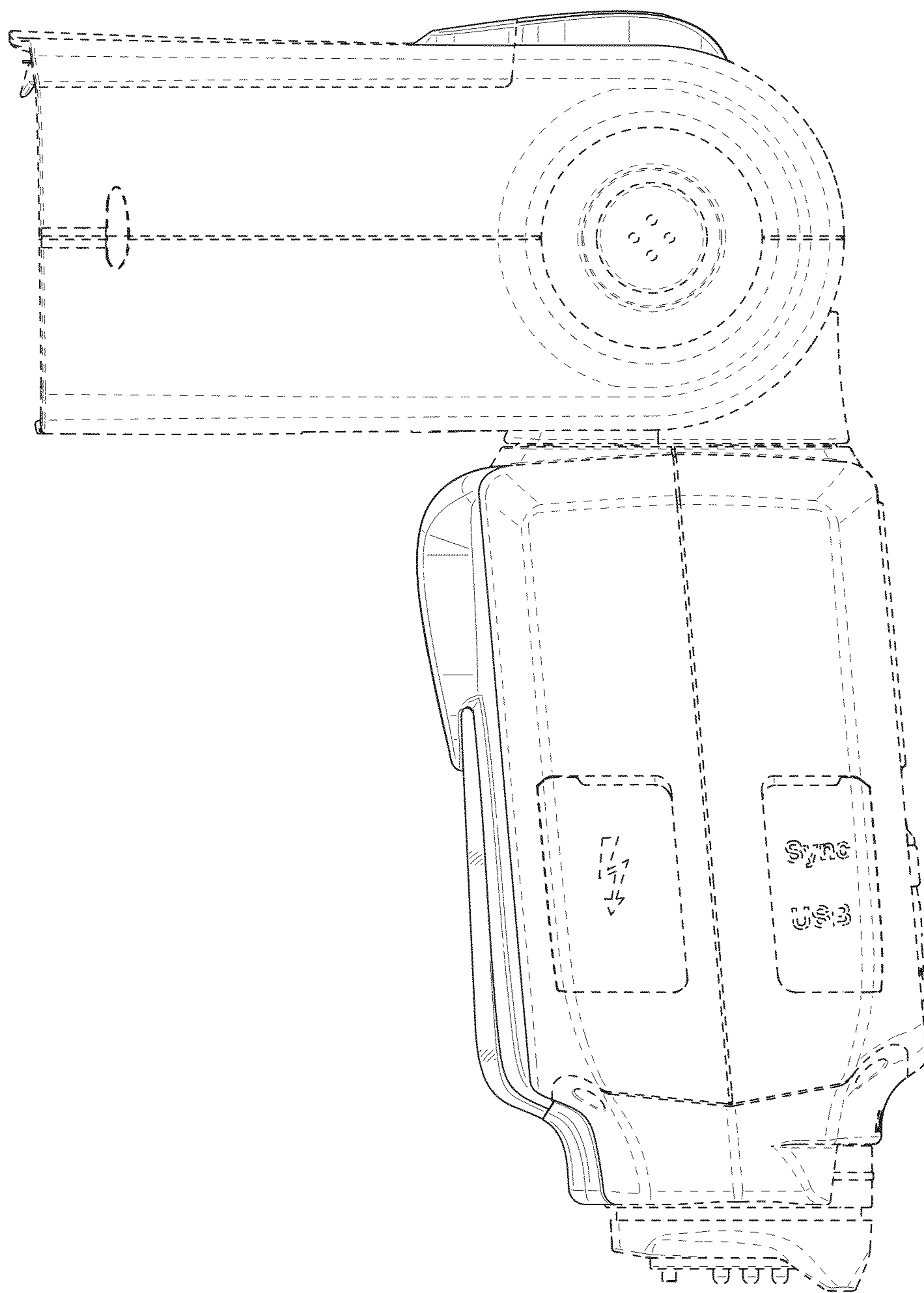


FIG. 4

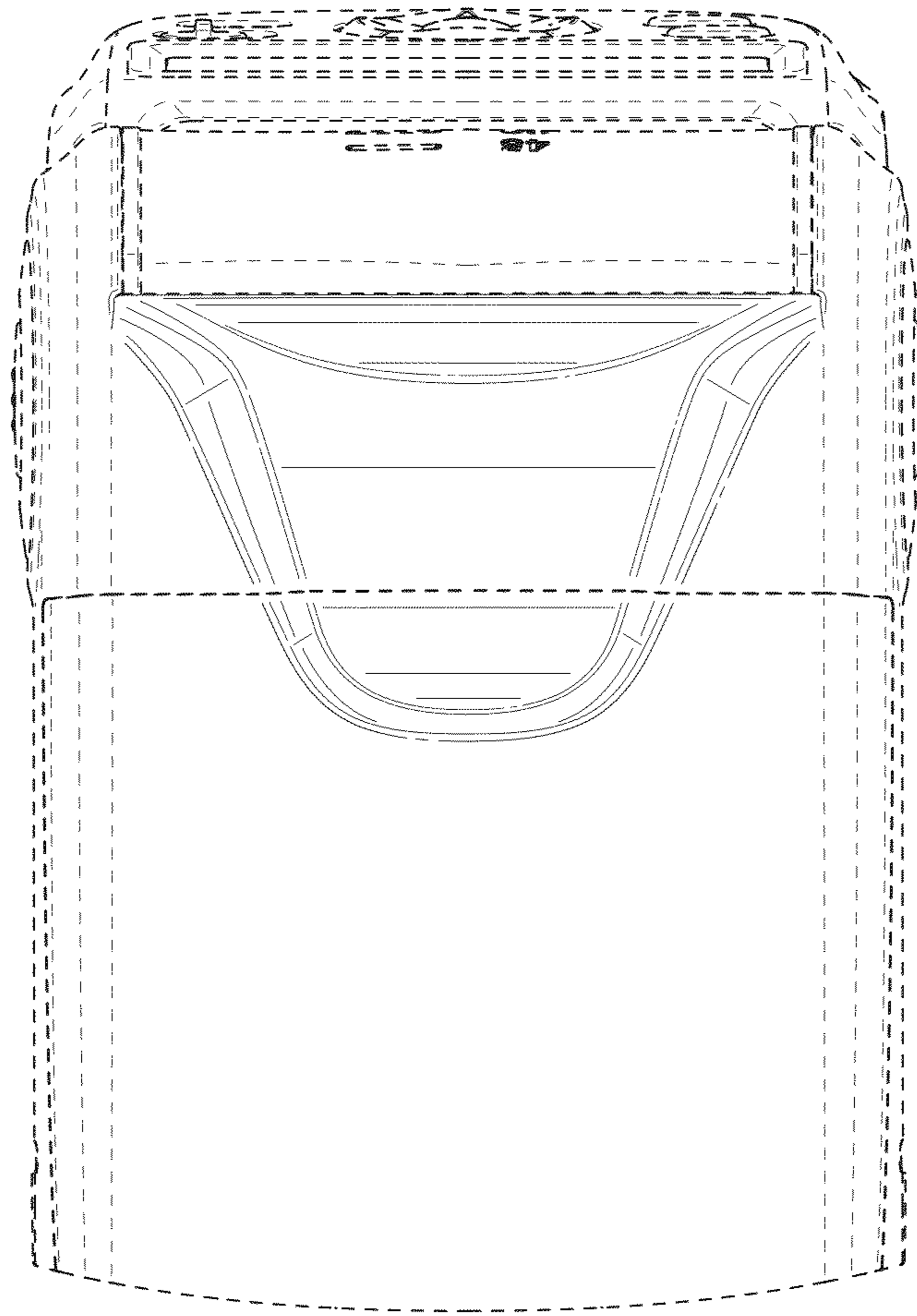


FIG. 5

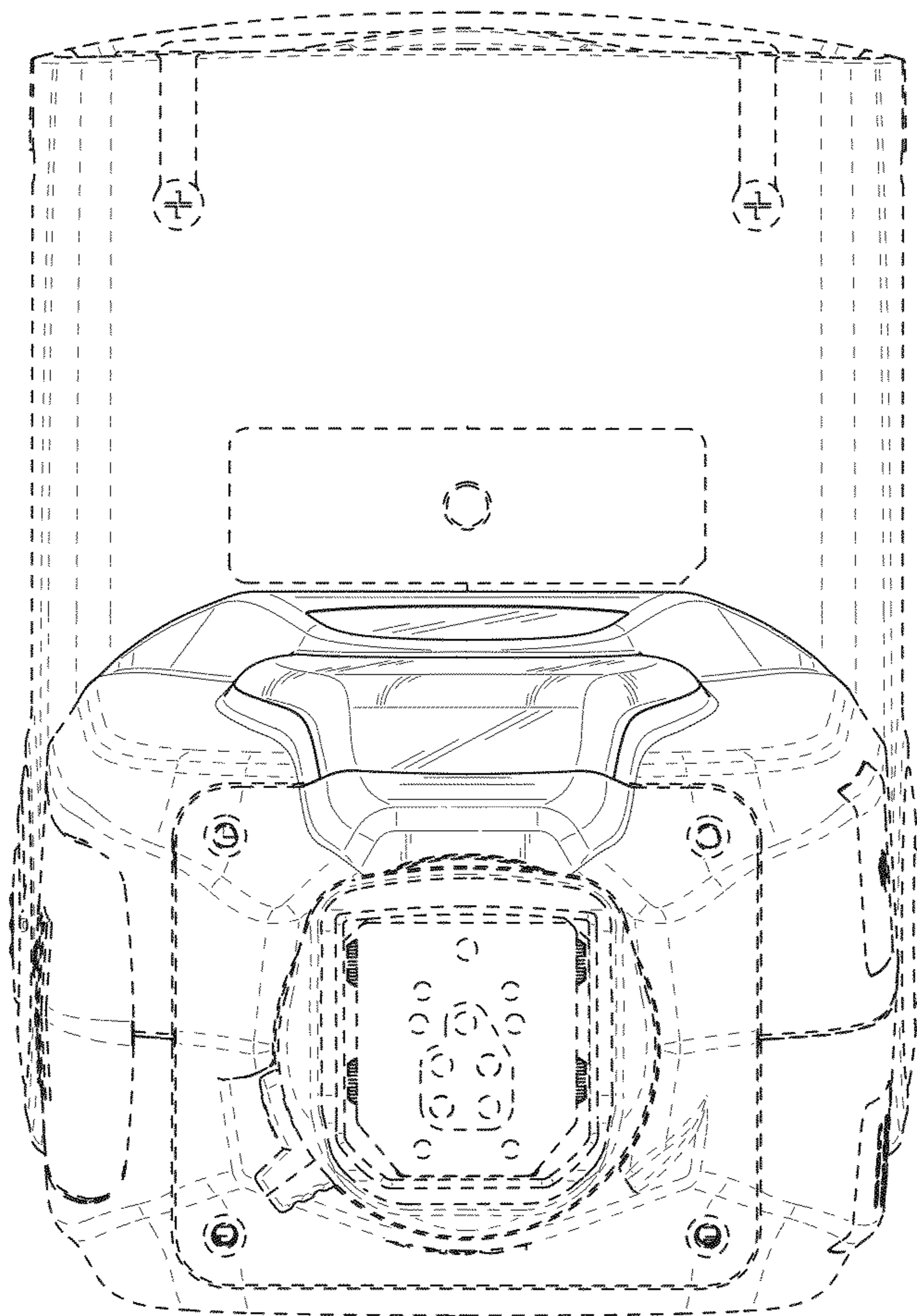


FIG. 6



FIG. 7

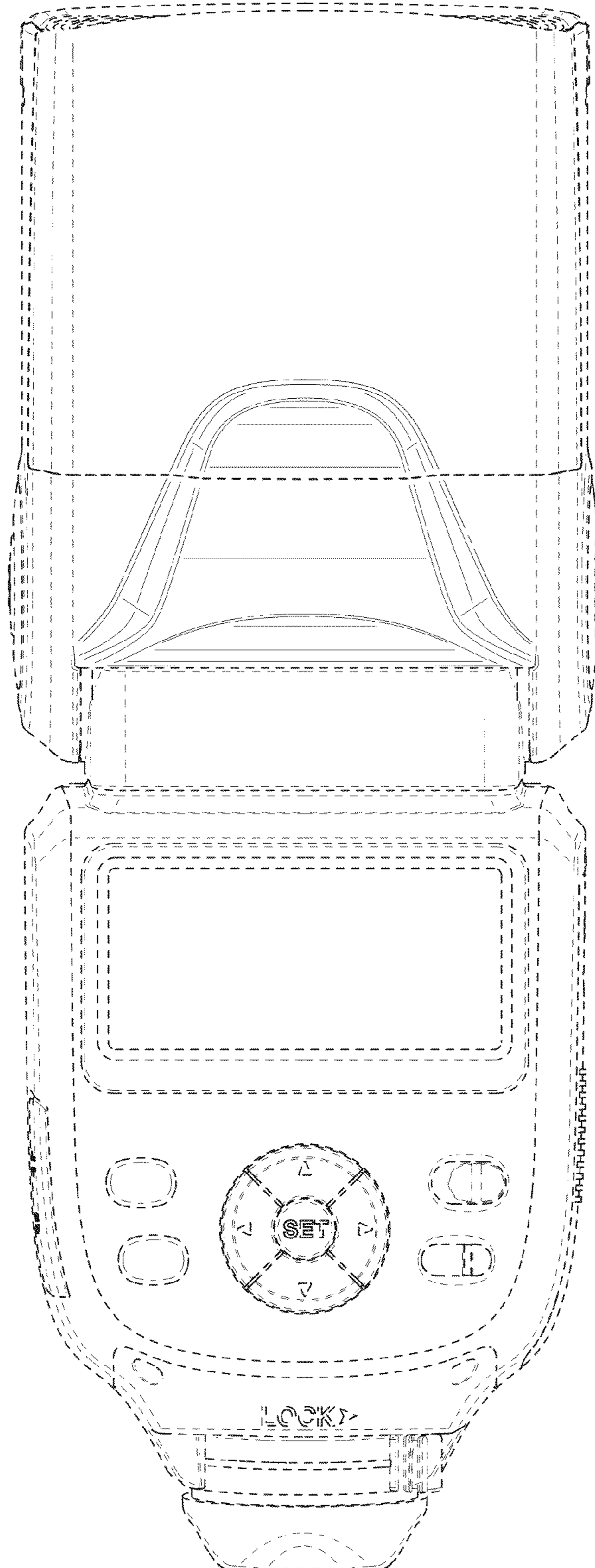


FIG. 8

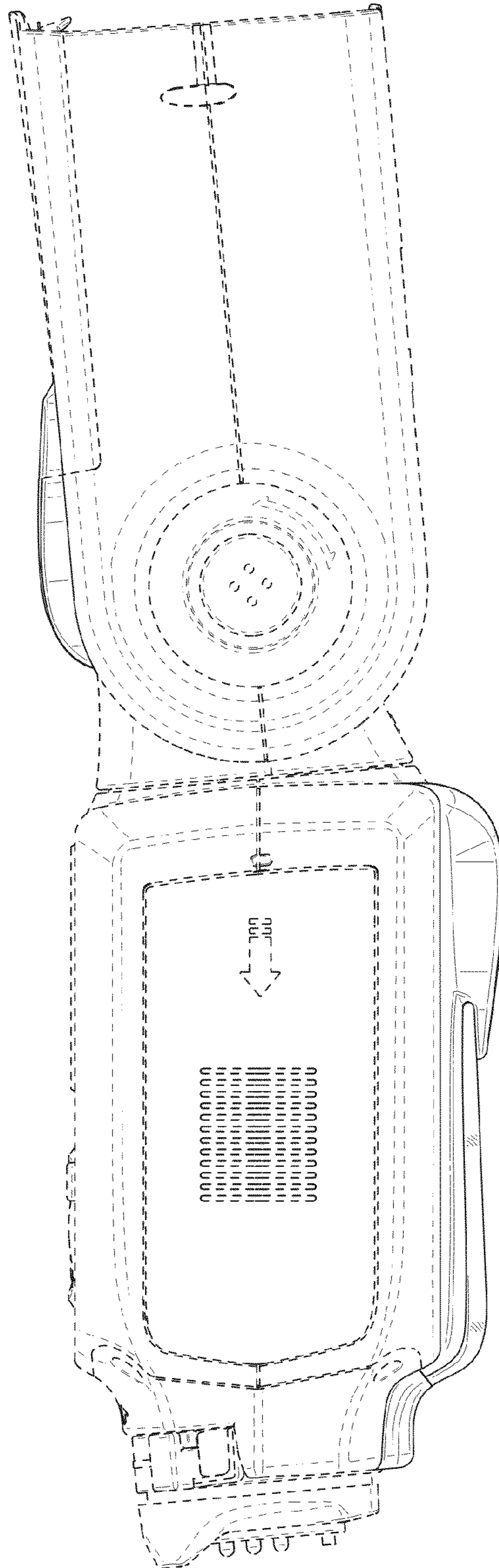


FIG. 9

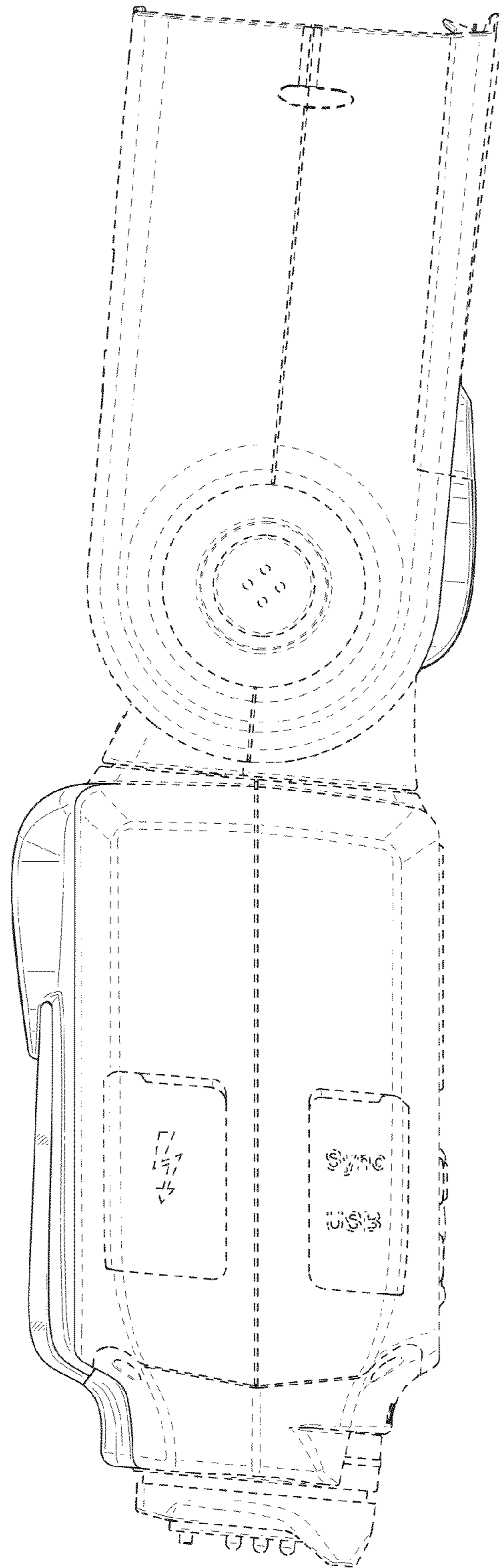


FIG. 10

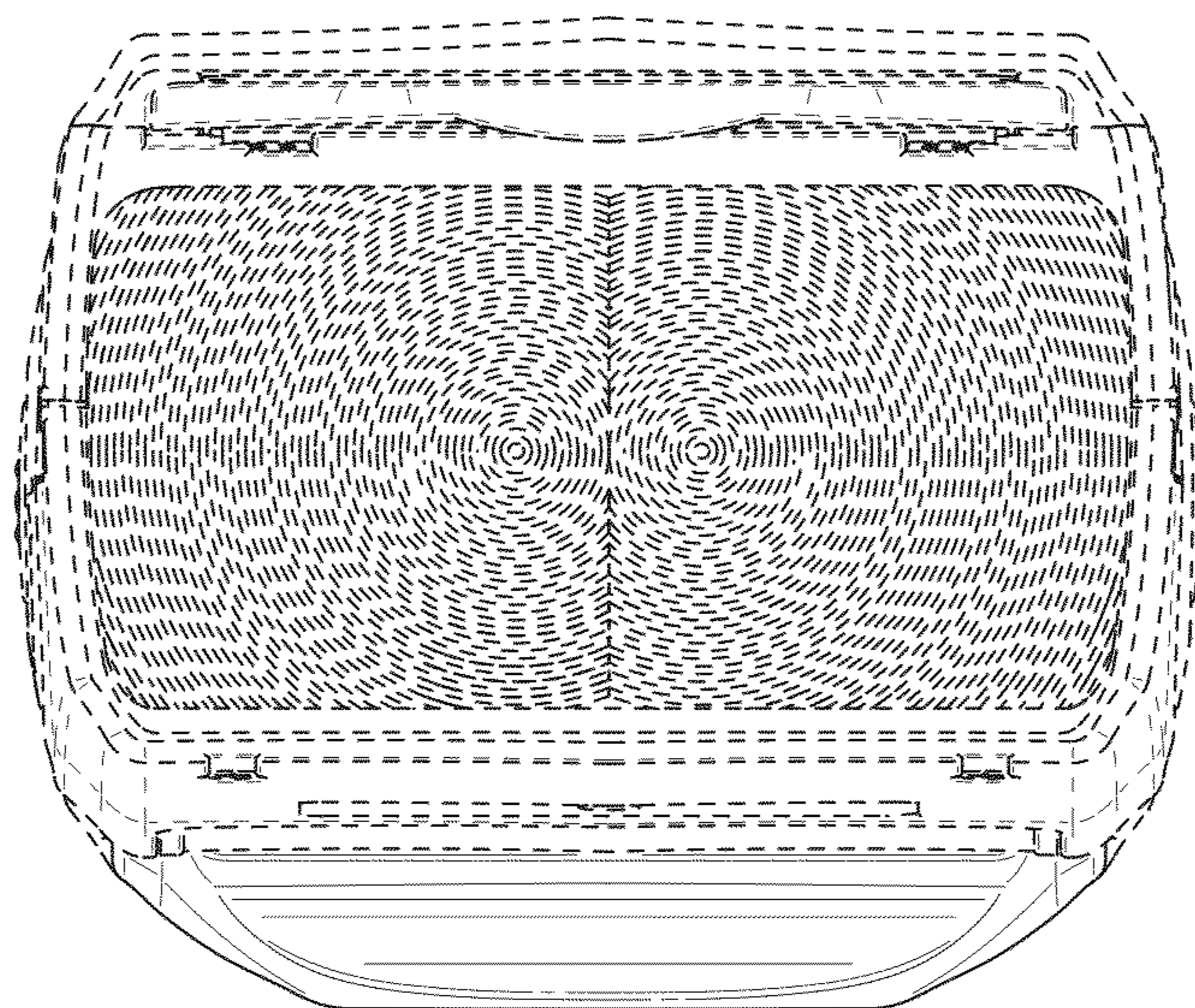


FIG. 11

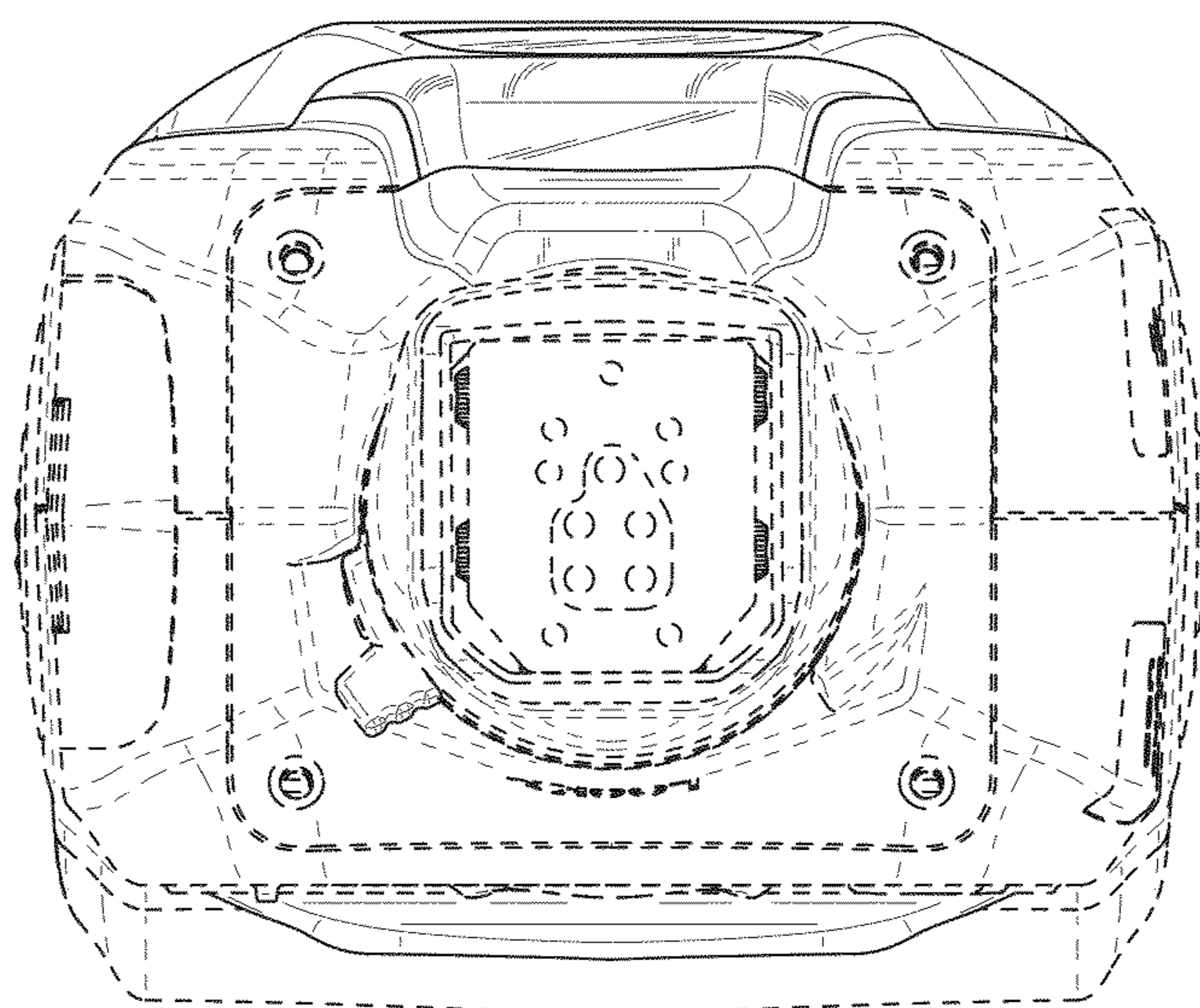


FIG. 12