



US00D708250S

(12) **United States Design Patent**
Park et al.

(10) **Patent No.:** **US D708,250 S**

(45) **Date of Patent:** **** Jul. 1, 2014**

(54) **PROJECTOR**

(75) Inventors: **Hyoung-Shin Park**, Seoul (KR);
Dong-Kyun Kim, Seoul (KR)

(73) Assignee: **Samsung Electronics Co., Ltd.**,
Suwon-si (KR)

(**) Term: **14 Years**

(21) Appl. No.: **29/426,479**

(22) Filed: **Jul. 6, 2012**

(30) **Foreign Application Priority Data**

Jan. 6, 2012 (KR) 30-2012-0000956

(51) **LOC (10) Cl.** **16-02**

(52) **U.S. Cl.**
USPC **D16/230**

(58) **Field of Classification Search**
USPC D16/200–202, 205, 208, 221, 225,
D16/230–231, 234; D21/514; D14/341,
D14/426, 128, 374; 353/39, 115, 119, 122
See application file for complete search history.

(56) **References Cited**

U.S. PATENT DOCUMENTS

D303,962 S * 10/1989 Asou D14/128
D315,529 S * 3/1991 Sherer D16/225

D390,838 S * 2/1998 Takeuchi et al. D16/221
D520,045 S * 5/2006 Han et al. D16/230
D557,726 S * 12/2007 Sumii D16/230
D560,686 S * 1/2008 Kim D14/496
D602,969 S * 10/2009 Collet et al. D16/221
D610,187 S * 2/2010 Kim et al. D16/230
D651,636 S * 1/2012 Chang D16/230

* cited by examiner

Primary Examiner — Wan Laymon

(74) *Attorney, Agent, or Firm* — NSIP Law

(57) **CLAIM**

The ornamental design for a projector, as shown and described.

DESCRIPTION

FIG. 1 is a front perspective view of a projector showing our new design;
FIG. 2 is a front view of the projector of FIG. 1;
FIG. 3 is a rear view of the projector of FIG. 1;
FIG. 4 is a left-side view of the projector of FIG. 1;
FIG. 5 is a right-side view of the projector of FIG. 1;
FIG. 6 is a top plan view of the projector of FIG. 1;
FIG. 7 is a bottom plan view of the projector of FIG. 1; and,
FIG. 8 is a rear perspective view of the projector of FIG. 1.
The oblique lines shading in FIGS. 1 and 6 indicates reflective surfaces.

1 Claim, 8 Drawing Sheets

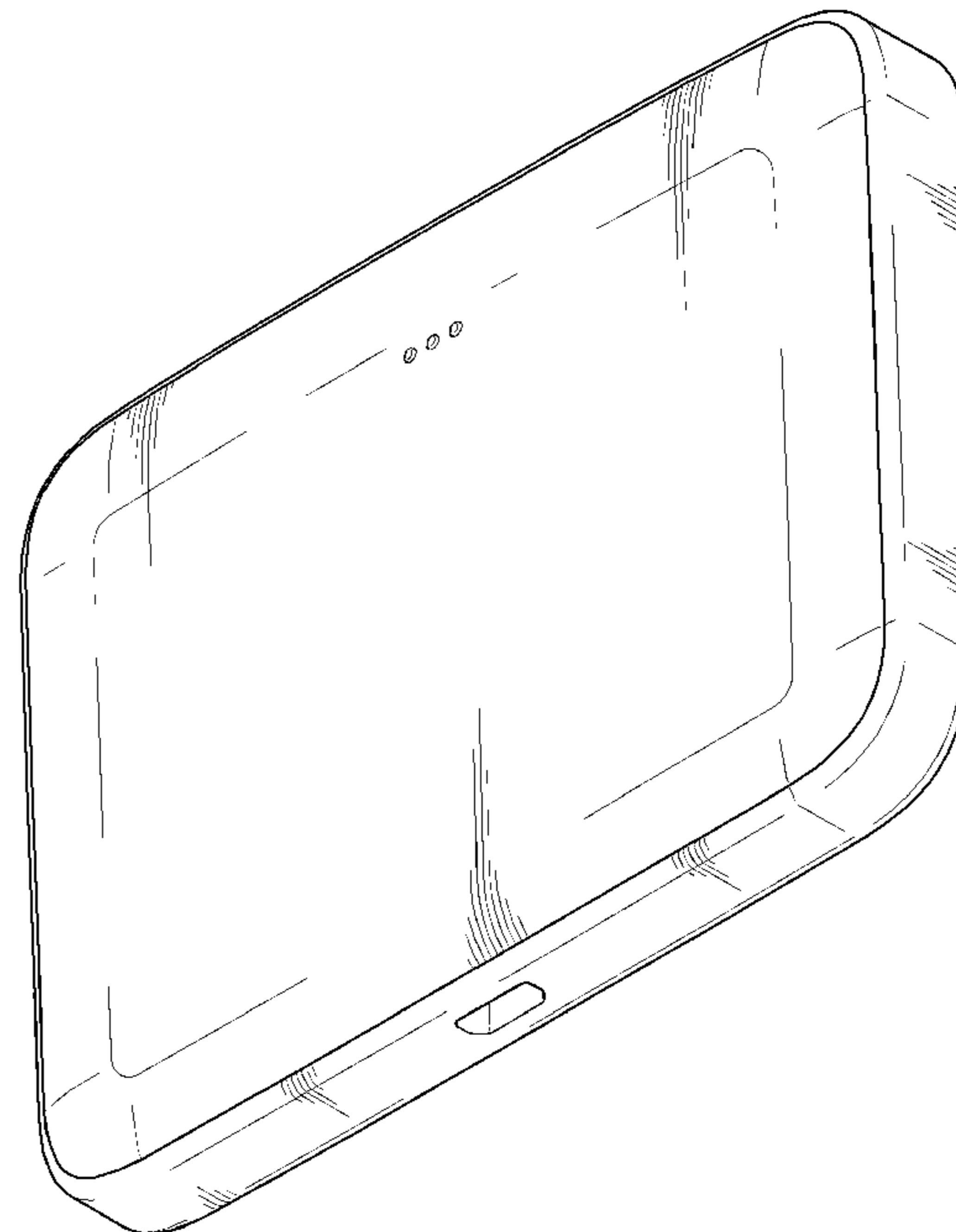
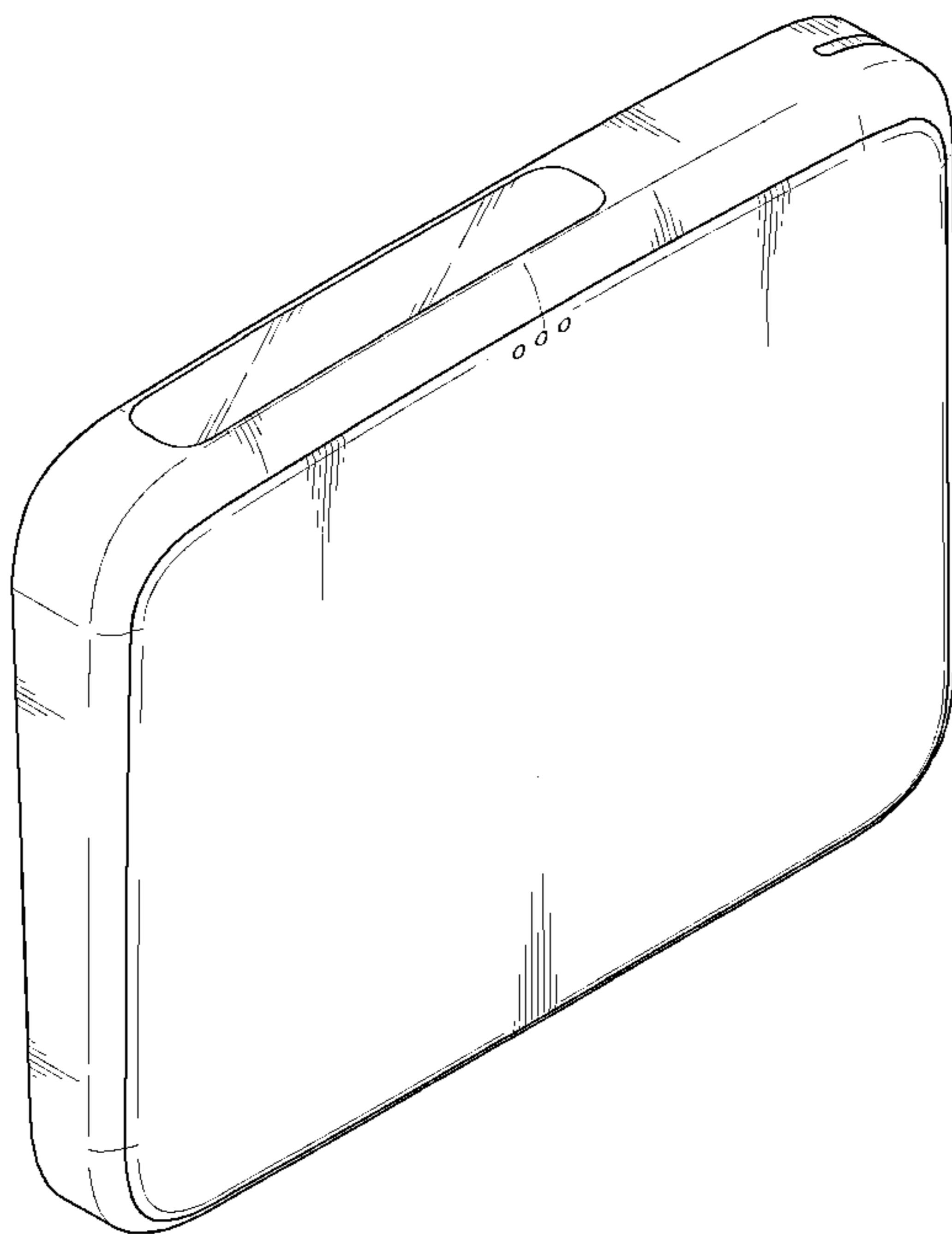


FIG.1

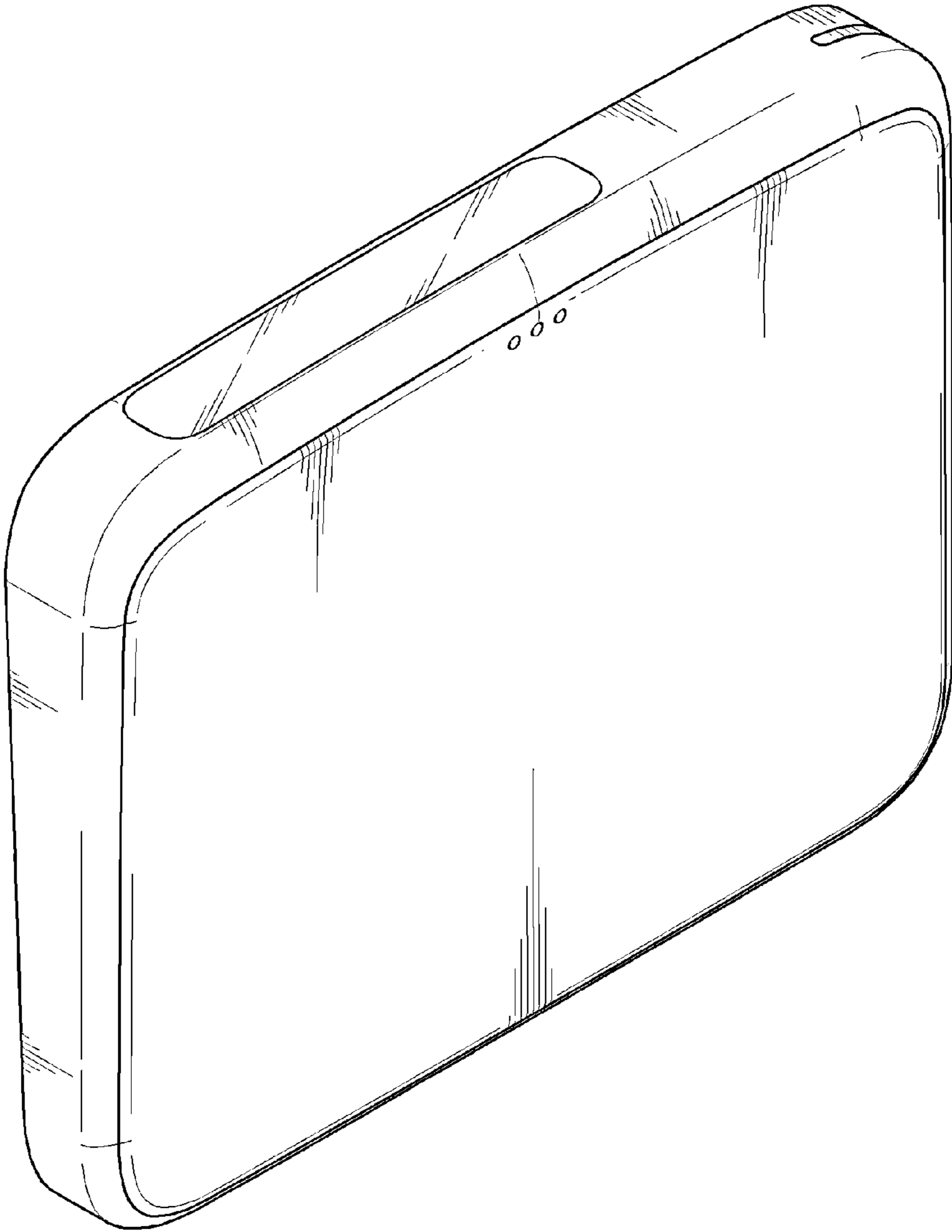


FIG. 2

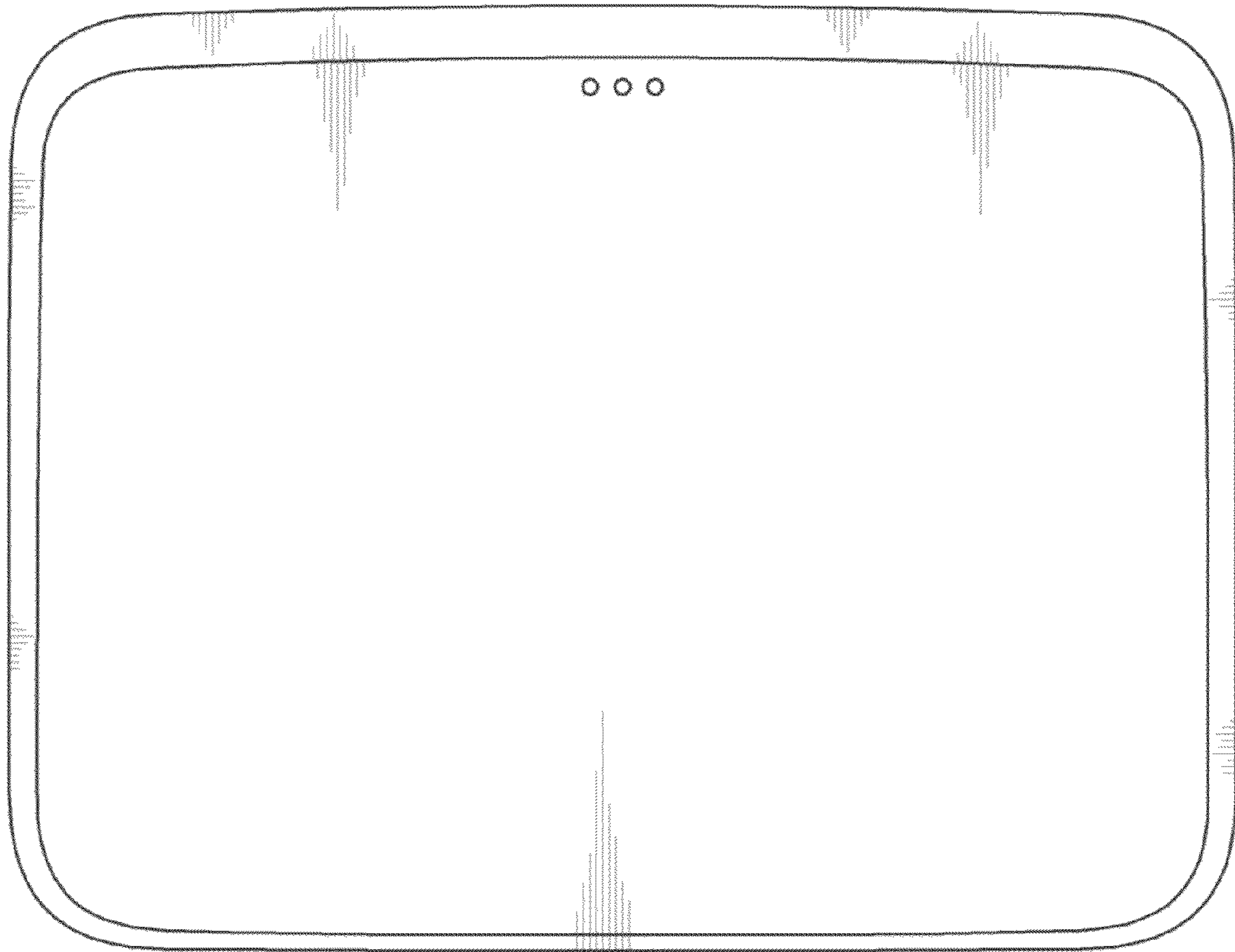


FIG. 3

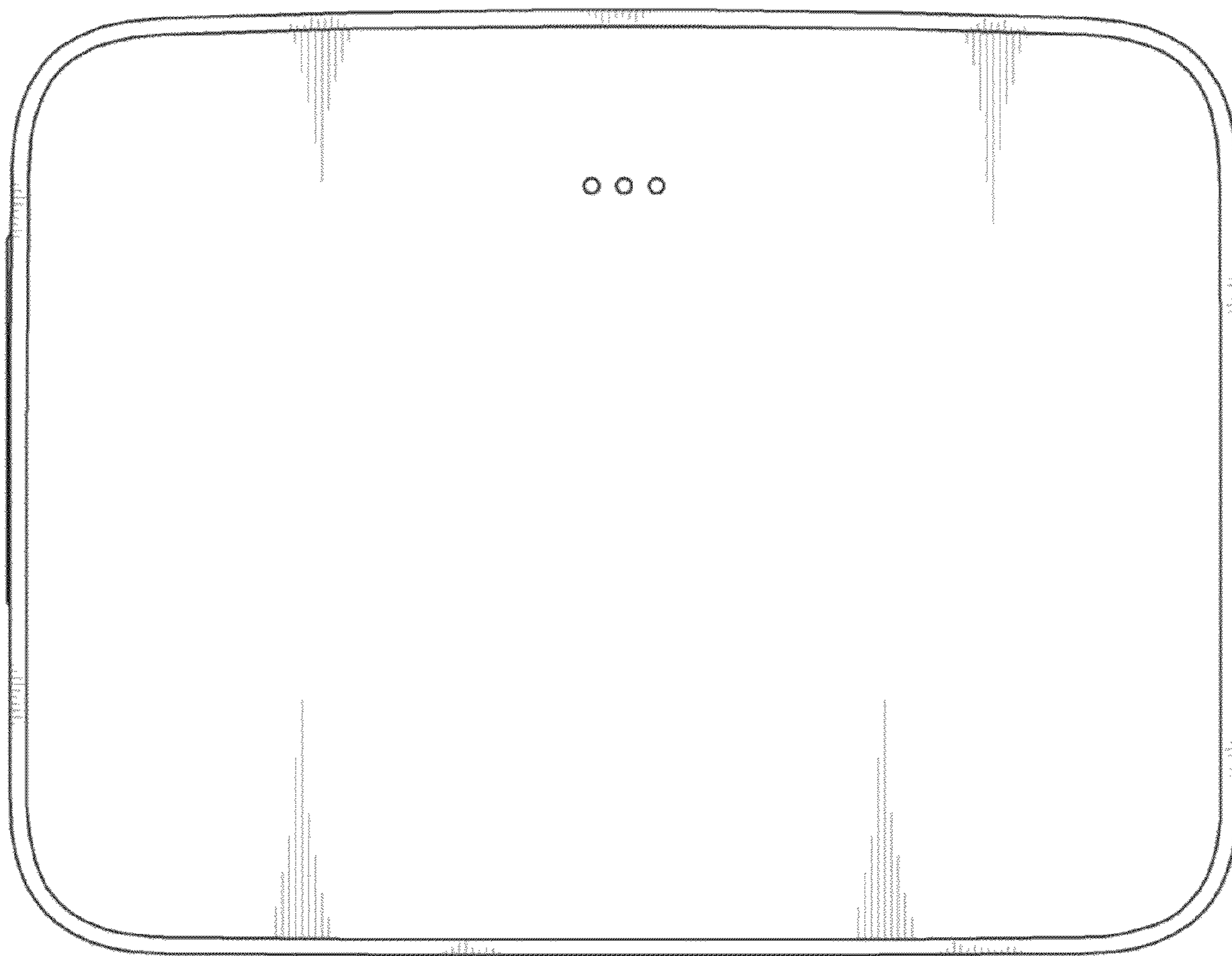


FIG. 4

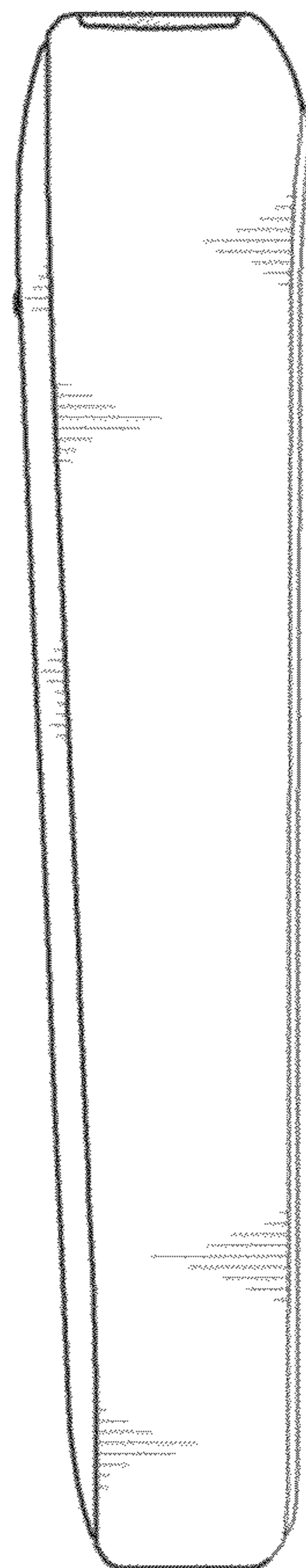


FIG. 5

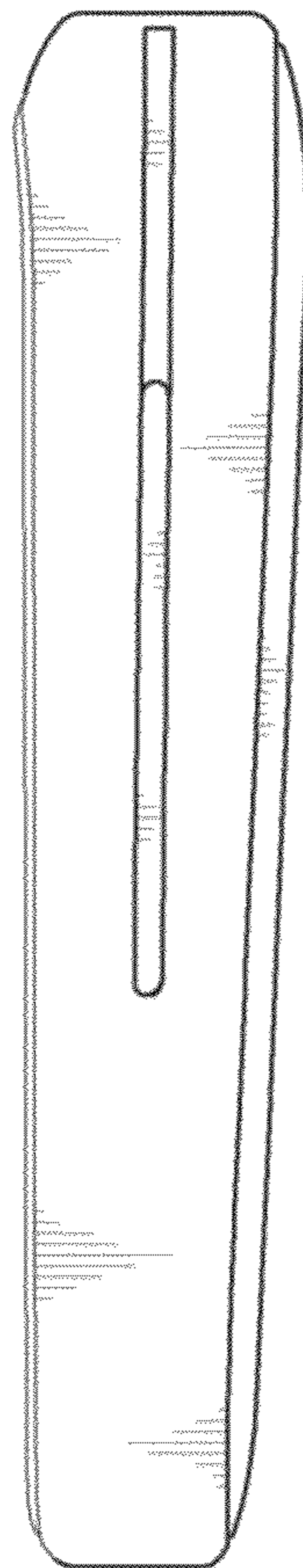


FIG. 6

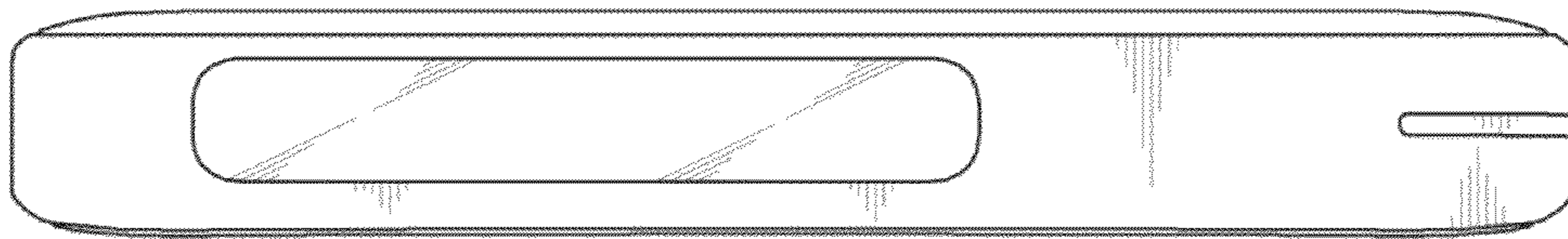


FIG. 7

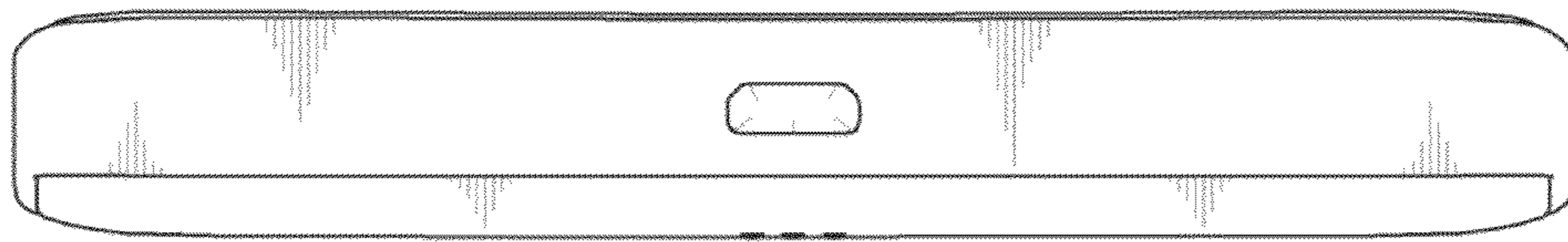


FIG.8

