



US00D708249S

(12) **United States Design Patent**
Kim et al.

(10) **Patent No.:** **US D708,249 S**
(45) **Date of Patent:** **** Jul. 1, 2014**

(54) **CAMERA FOR A TV RECEIVER**
(71) Applicant: **Samsung Electronics Co., Ltd.**,
Suwon-si (KR)
(72) Inventors: **Hee-Bong Kim**, Gimpo (KR); **Eui-Seok Kim**,
Seongnam (KR)
(73) Assignee: **Samsung Electronics Co., Ltd.**,
Suwon-si, Gyeonggi-do (KR)

(**) Term: **14 Years**

(21) Appl. No.: **29/434,954**

(22) Filed: **Oct. 18, 2012**

(30) **Foreign Application Priority Data**

May 25, 2012 (KR) 30-2012-0026072

(51) **LOC (10) Cl.** **16-01**

(52) **U.S. Cl.**
USPC **D16/218**

(58) **Field of Classification Search**

CPC G03B 15/03; G03B 17/02; G03B 17/04;
G03B 17/56; G03B 19/04; H04N 2007/145;
H04N 7/142; H04N 7/147; H04N 7/15;
H04N 7/152; H04N 2101/00
USPC D16/200, 202-203, 208, 218, 219, 242;
348/14.01-14.1, 373-376, 843;
396/428, 535, 539-541

See application file for complete search history.

(56) **References Cited**

U.S. PATENT DOCUMENTS

D384,964 S * 10/1997 Ito et al. D16/202
7,286,181 B2 * 10/2007 Cha 348/373

D643,456 S * 8/2011 Won et al. D16/218
D650,408 S * 12/2011 Kim et al. D16/202
D654,942 S * 2/2012 Khamsepoor et al. D16/202
D675,660 S * 2/2013 Su D16/202
D680,569 S * 4/2013 Lee et al. D16/202
8,466,999 B2 * 6/2013 Shiau et al. 348/373
D688,718 S * 8/2013 Tsai D16/202
8,514,337 B2 * 8/2013 Sakurada et al. 348/843
2009/0231484 A1 * 9/2009 Lee et al. 348/373

* cited by examiner

Primary Examiner — Adir Aronovich

Assistant Examiner — Ramzi Almatrahi

(74) *Attorney, Agent, or Firm* — Flynn, Thiel, Boutell &
Tanis, P.C.

(57) **CLAIM**

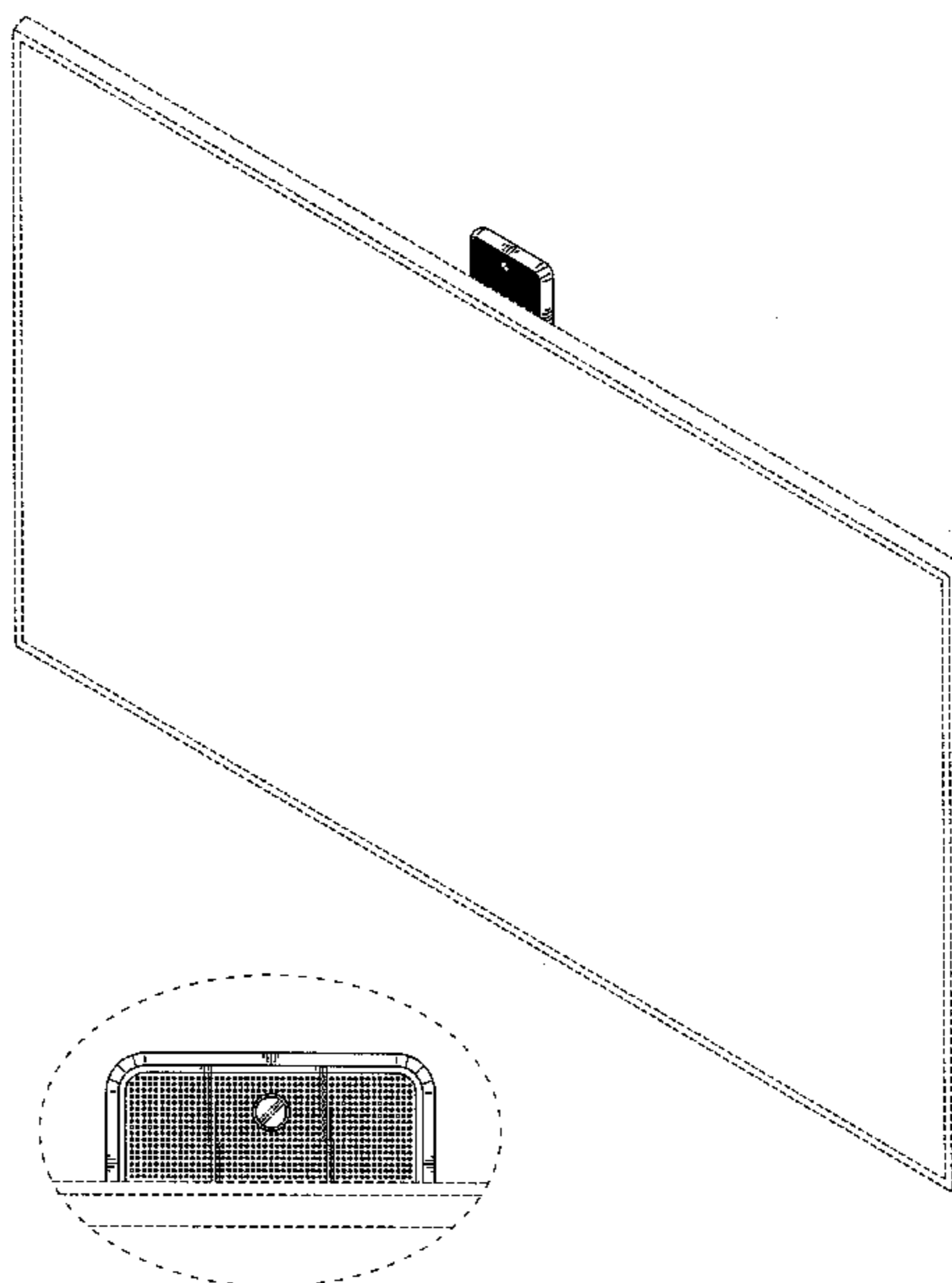
The ornamental design for a camera for a TV receiver, as
shown and described.

DESCRIPTION

FIG. 1 is a top front perspective view of a camera for a TV
receiver showing our new design;
FIG. 2 is a front elevational view thereof;
FIG. 3 is a rear elevational view thereof;
FIG. 4 is a left side elevational view thereof;
FIG. 5 is a right side elevational view thereof;
FIG. 6 is a top plan view thereof;
FIG. 7 is a bottom plan view thereof;
FIG. 8 is an enlarged detail view of the area designated "8" in
FIG. 2; and,
FIG. 9 is a right side elevational view thereof, with the camera
hidden.

The broken lines depict environmental subject matter only
and form no part of the claimed design.

1 Claim, 5 Drawing Sheets



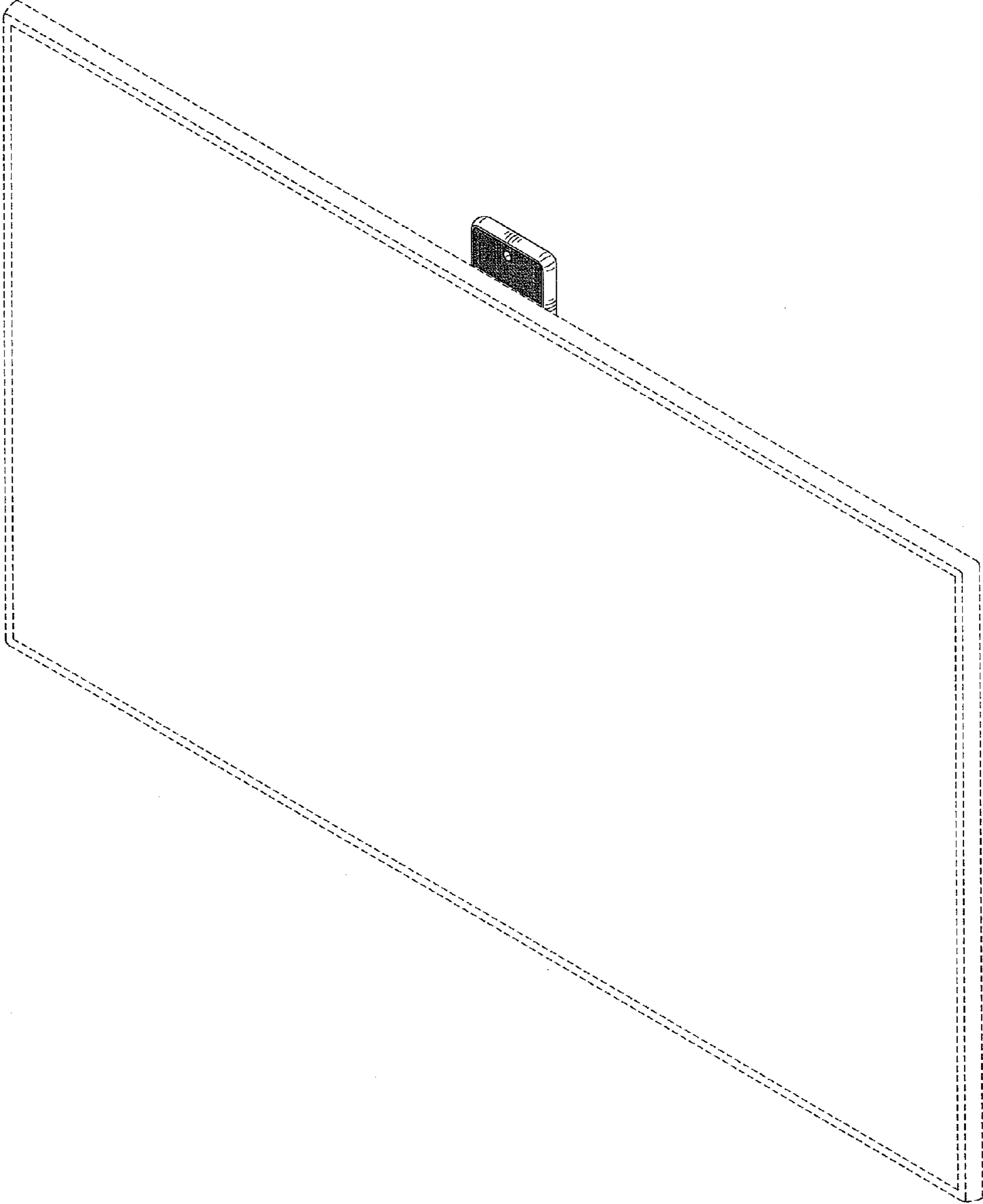


FIG.1

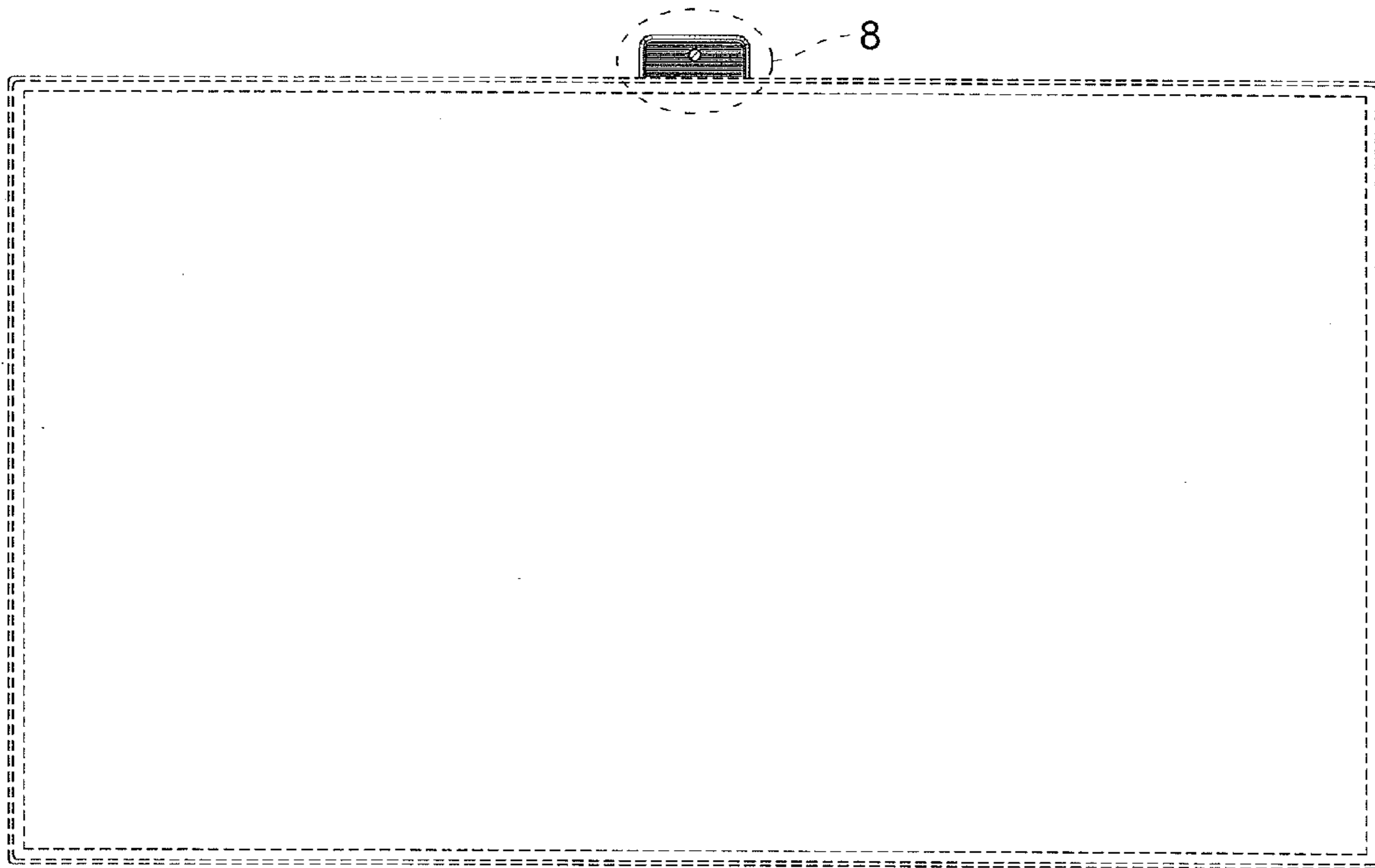


FIG. 2

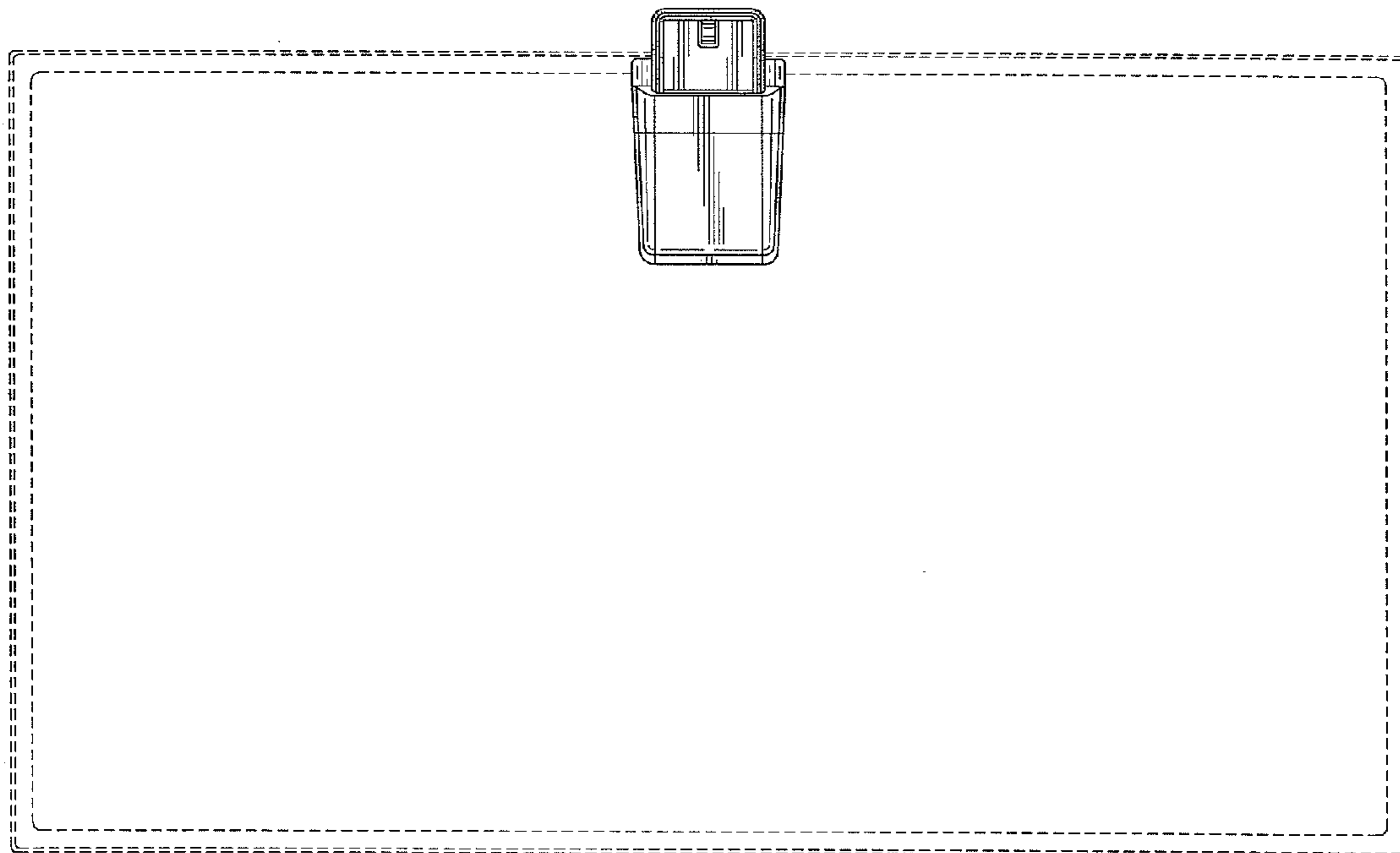


FIG. 3



FIG. 4

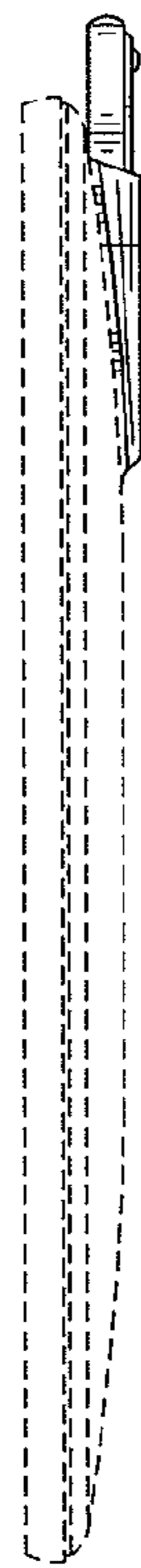


FIG. 5

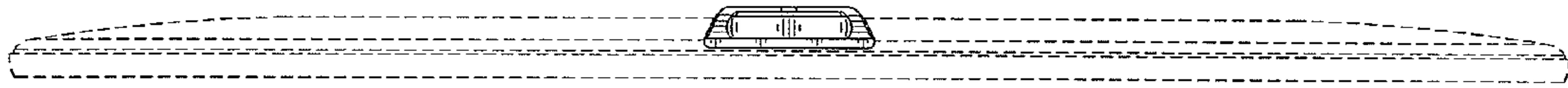


FIG. 6

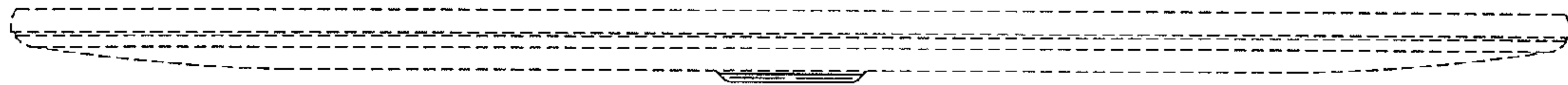


FIG. 7

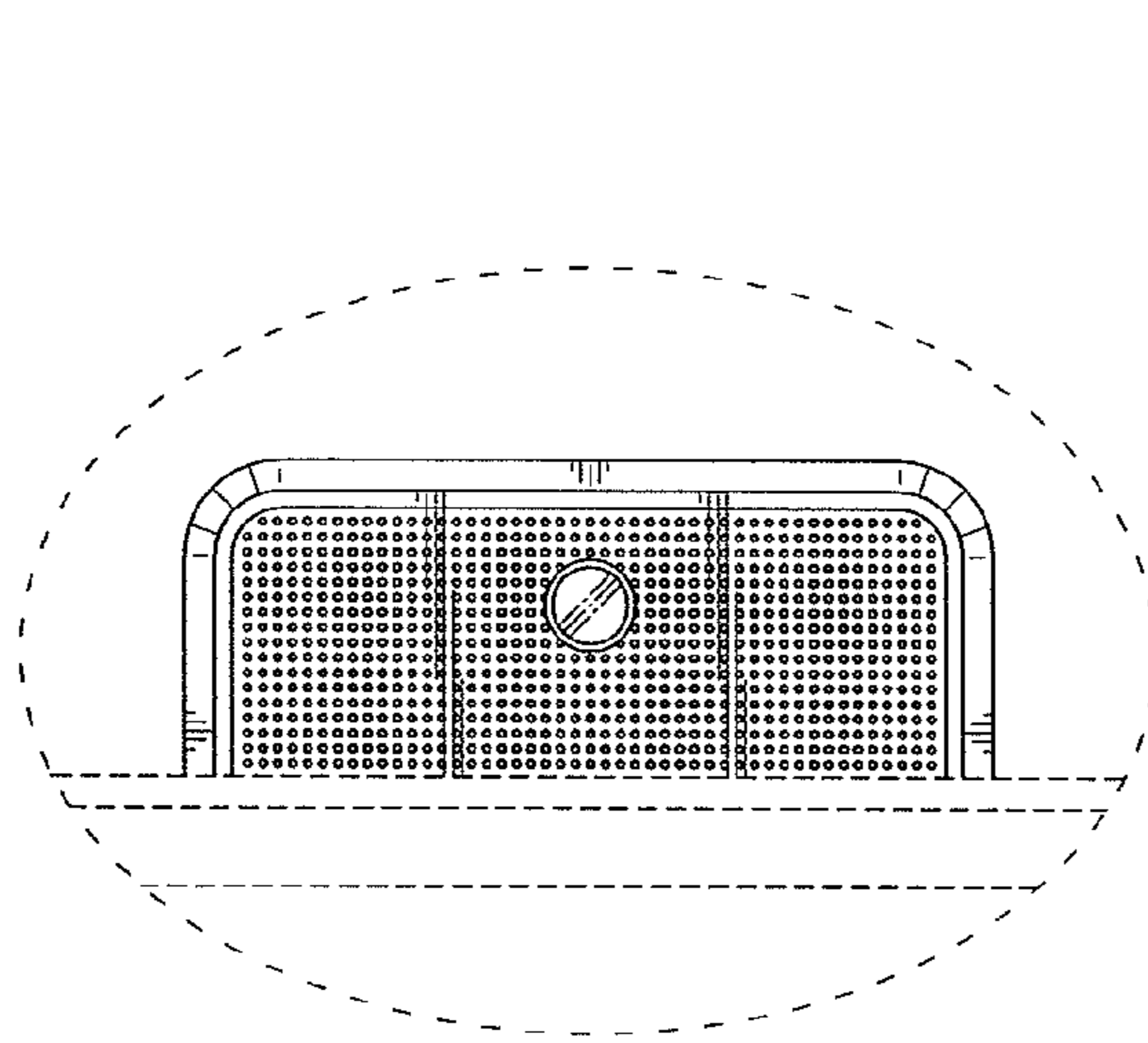


FIG. 8



FIG. 9