



US00D708248S

(12) **United States Design Patent**
Son et al.

(10) **Patent No.:** **US D708,248 S**
(45) **Date of Patent:** **** Jul. 1, 2014**

(54) **CAMERA FOR A TV RECEIVER**

(71) Applicant: **Samsung Electronics Co., Ltd.**,
Suwon-si (KR)

(72) Inventors: **Chae-Joo Son**, Namyangju (KR);
Jun-Ho Yang, Seongnam (KR)

(73) Assignee: **Samsung Electronics Co., Ltd.**,
Suwon-si, Gyeonggi-do (KR)

(**) Term: **14 Years**

(21) Appl. No.: **29/434,952**

(22) Filed: **Oct. 18, 2012**

(30) **Foreign Application Priority Data**

May 30, 2012 (KR) 30-2012-0026699

(51) **LOC (10) Cl.** **16-01**

(52) **U.S. Cl.**
USPC **D16/218**

(58) **Field of Classification Search**

CPC G03B 15/03; G03B 17/02; G03B 17/04;
G03B 17/56; G03B 19/04; H04N 2101/00;
H04N 2007/145; H04N 7/142; H04N 7/147;
H04N 7/15; H04N 7/152
USPC D16/200, 202–203, 208, 218, 219, 242;
D14/126, 374; 348/14.01–14.1,
348/373–376, 843; 396/419, 428, 535,
396/539–541

See application file for complete search history.

(56) **References Cited**

U.S. PATENT DOCUMENTS

D550,266 S * 9/2007 Lau D16/202
7,435,018 B2 * 10/2008 Huang et al. 396/419
D643,456 S * 8/2011 Won et al. D16/218
D664,579 S * 7/2012 Tzeng D16/202
D665,441 S * 8/2012 McManigal D16/218

D682,332 S * 5/2013 Wang et al. D16/202
D687,036 S * 7/2013 Seong et al. D14/374
D688,718 S * 8/2013 Tsai D16/202
8,514,337 B2 * 8/2013 Sakurada et al. 348/843
8,593,567 B2 * 11/2013 Xiao 348/373
D698,324 S * 1/2014 Lee et al. D14/126

OTHER PUBLICATIONS

CES 2012 : Video of Samsung's Smart Interaction TV. Connected-DigitalWorld.com [online]. Jun. 6, 2012 [retrieved on Feb. 3, 2014]. Retrieved from the Internet: <<http://connecteddigitalworld.com/2012/01/12/ces-2012-video-of-samsungs-smart-interaction-tv/>>.*

* cited by examiner

Primary Examiner — Adir Aronovich

Assistant Examiner — Ramzi Almatrahi

(74) *Attorney, Agent, or Firm* — Flynn, Thiel, Boutell & Tanis, P.C.

(57) **CLAIM**

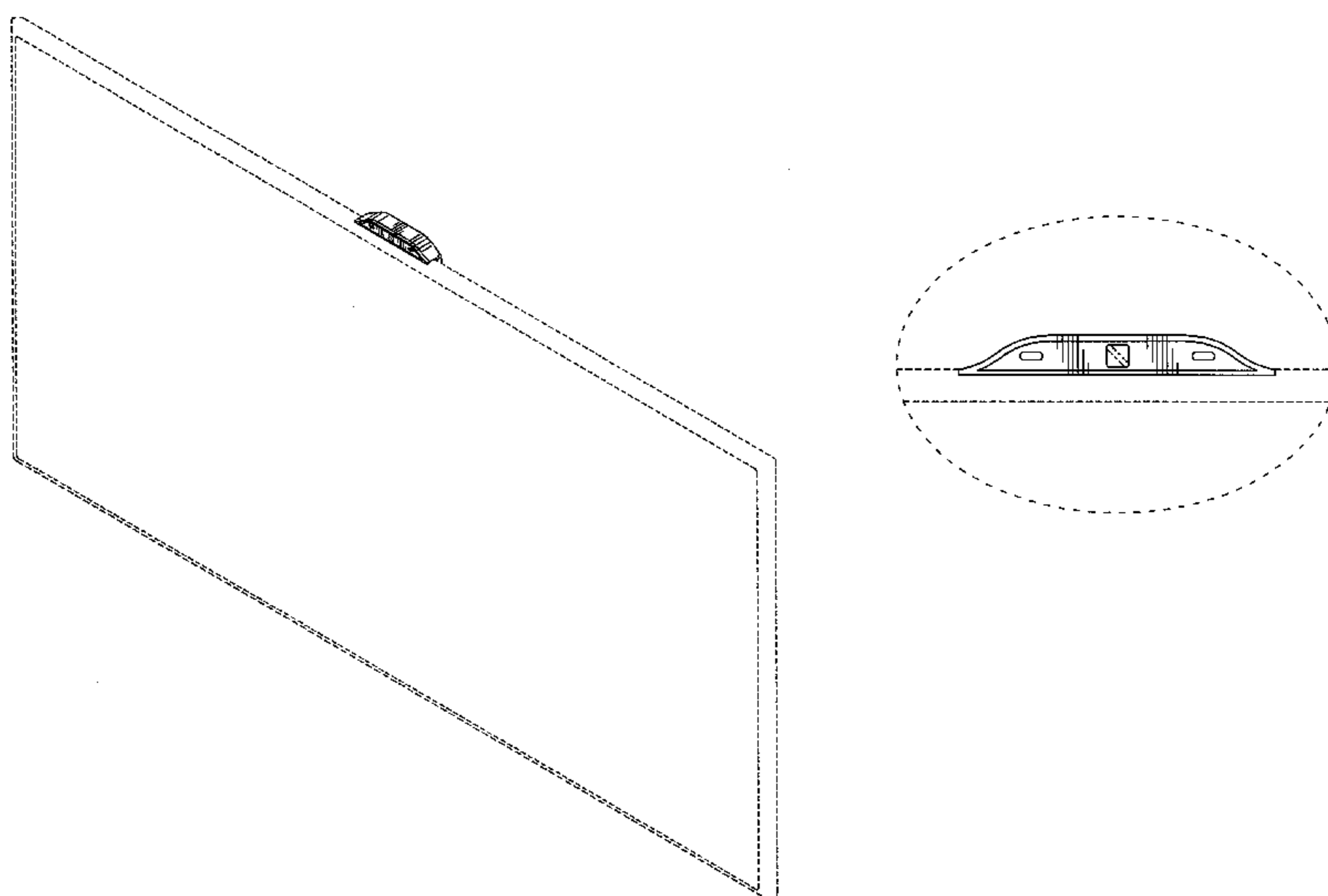
The ornamental design for a camera for a TV receiver, as shown and described.

DESCRIPTION

FIG. 1 is a top front perspective view of a camera for a TV receiver showing our new design;
FIG. 2 is a front elevational view thereof;
FIG. 3 is a rear elevational view thereof;
FIG. 4 is a left side elevational view thereof;
FIG. 5 is a right side elevational view thereof;
FIG. 6 is a top plan view thereof;
FIG. 7 is a bottom plan view thereof;
FIG. 8 is an enlarged detail view of the area designated "8" in FIG. 2; and,
FIG. 9 is an enlarged detail view of the area designated "9" in FIG. 3.

The broken lines depict environmental subject matter only and form no part of the claimed design.

1 Claim, 5 Drawing Sheets



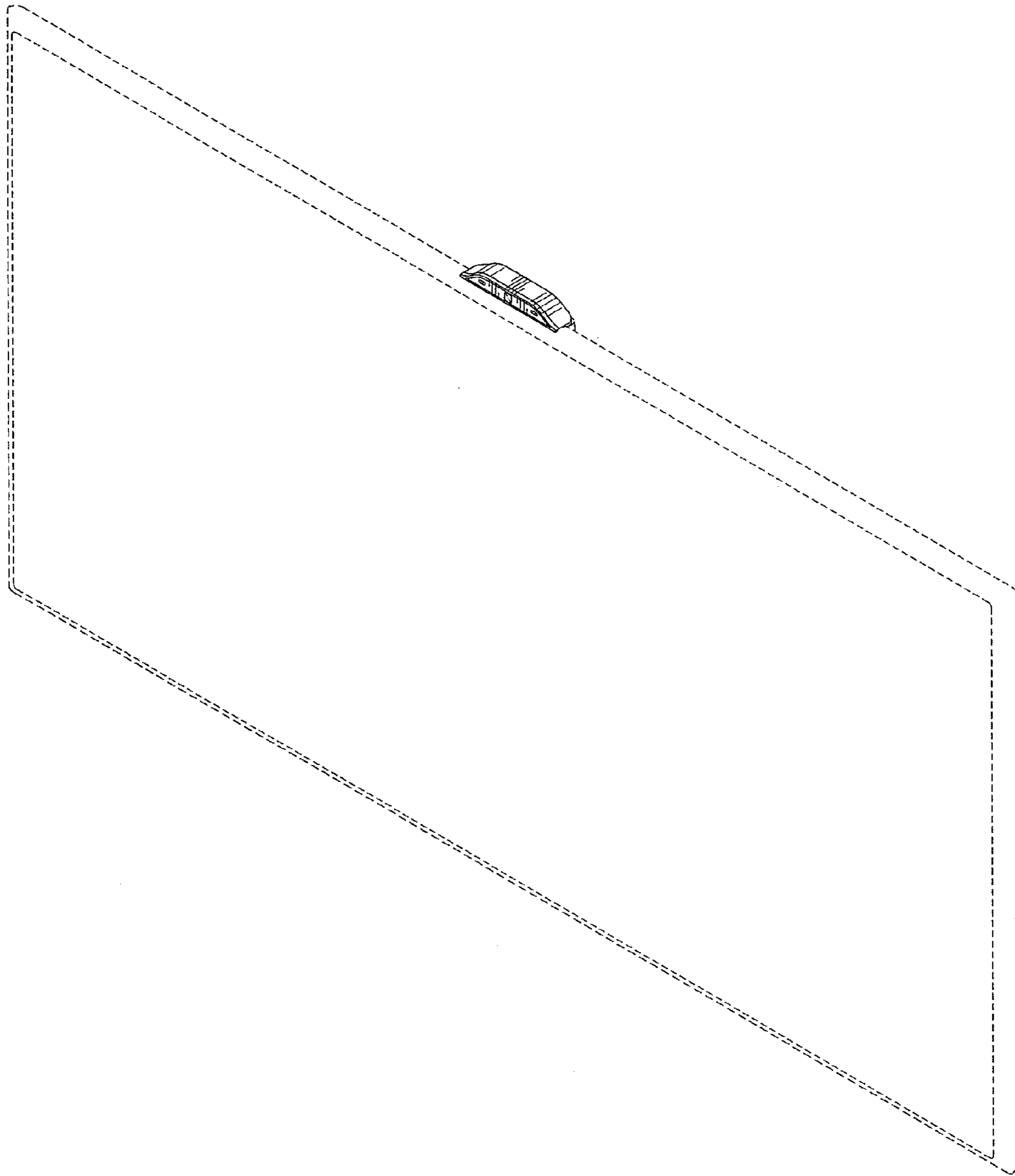


FIG.1

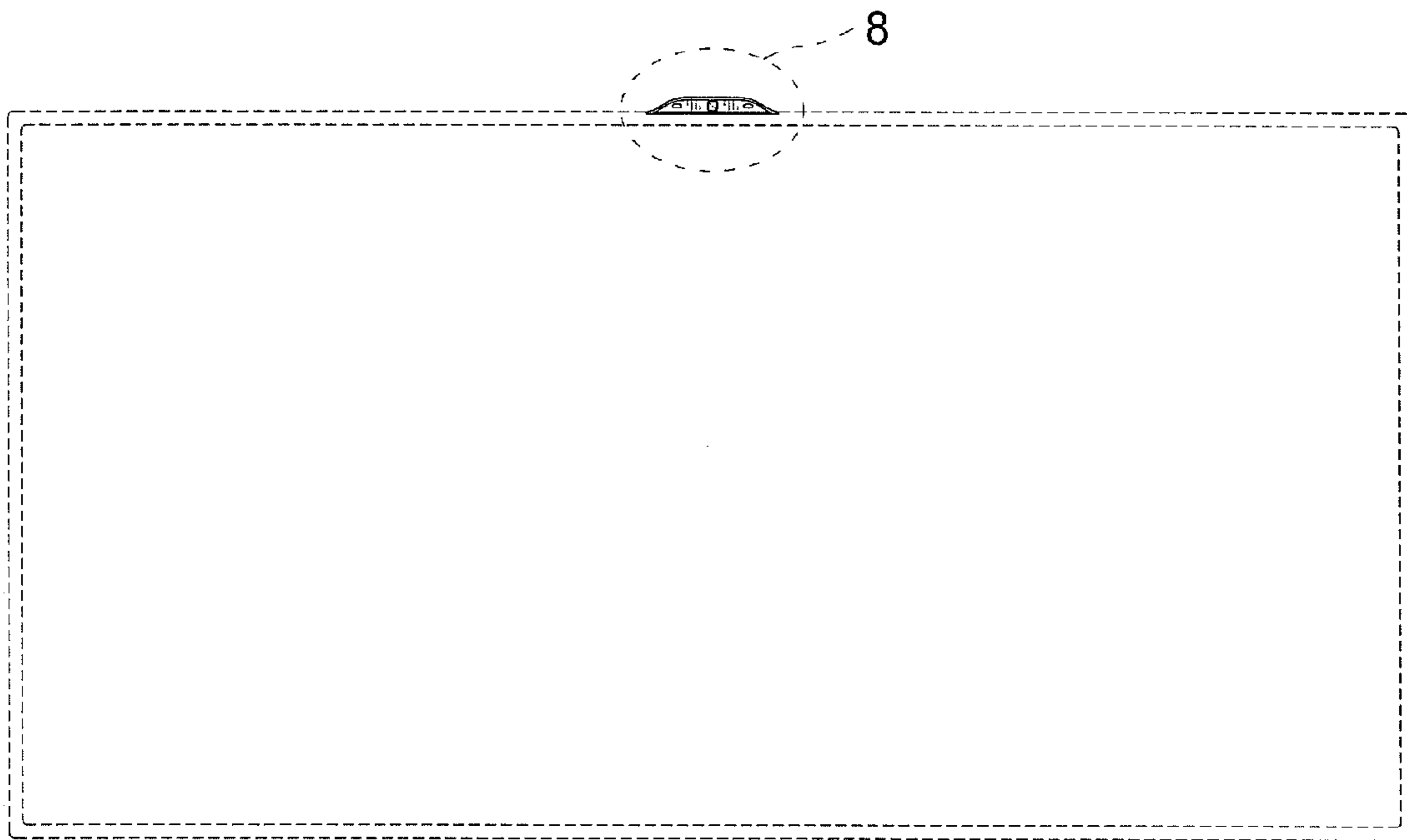


FIG.2

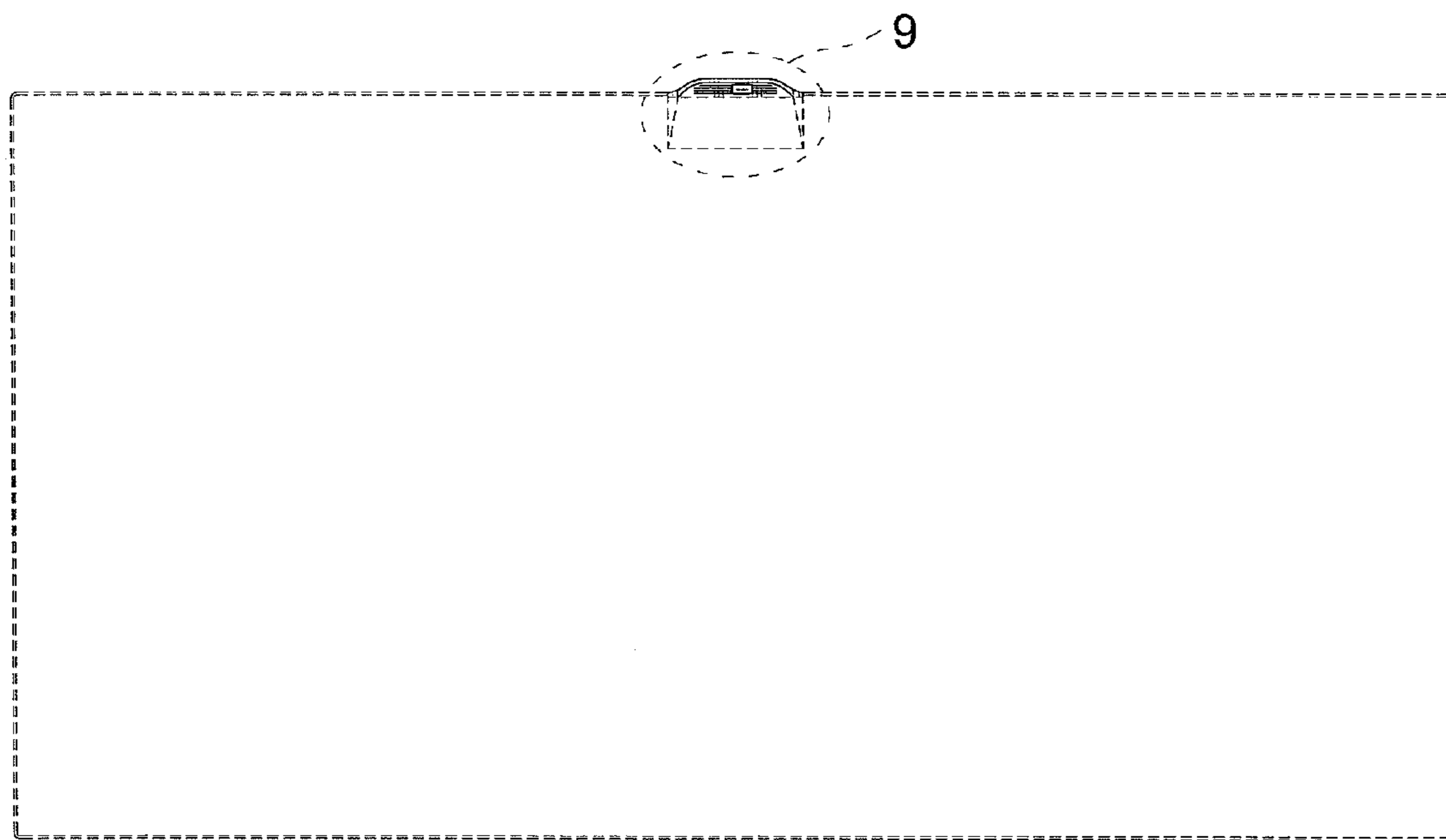


FIG.3



FIG. 4



FIG. 5



FIG. 6

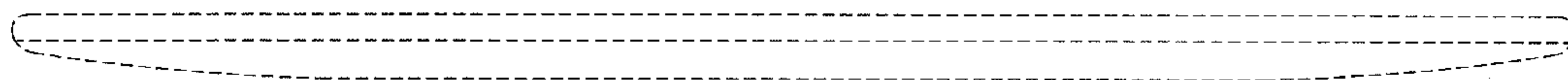


FIG. 7

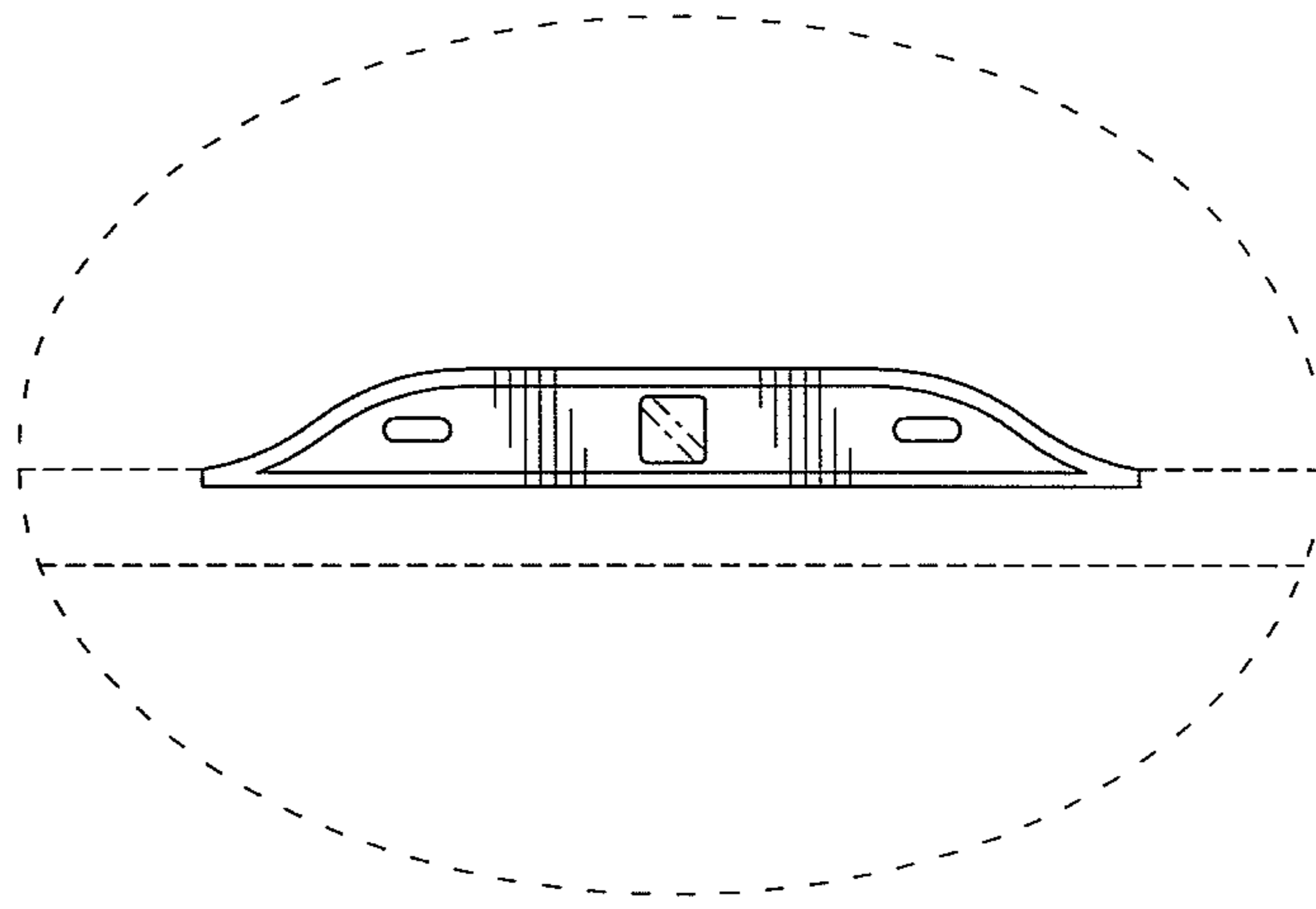


FIG. 8

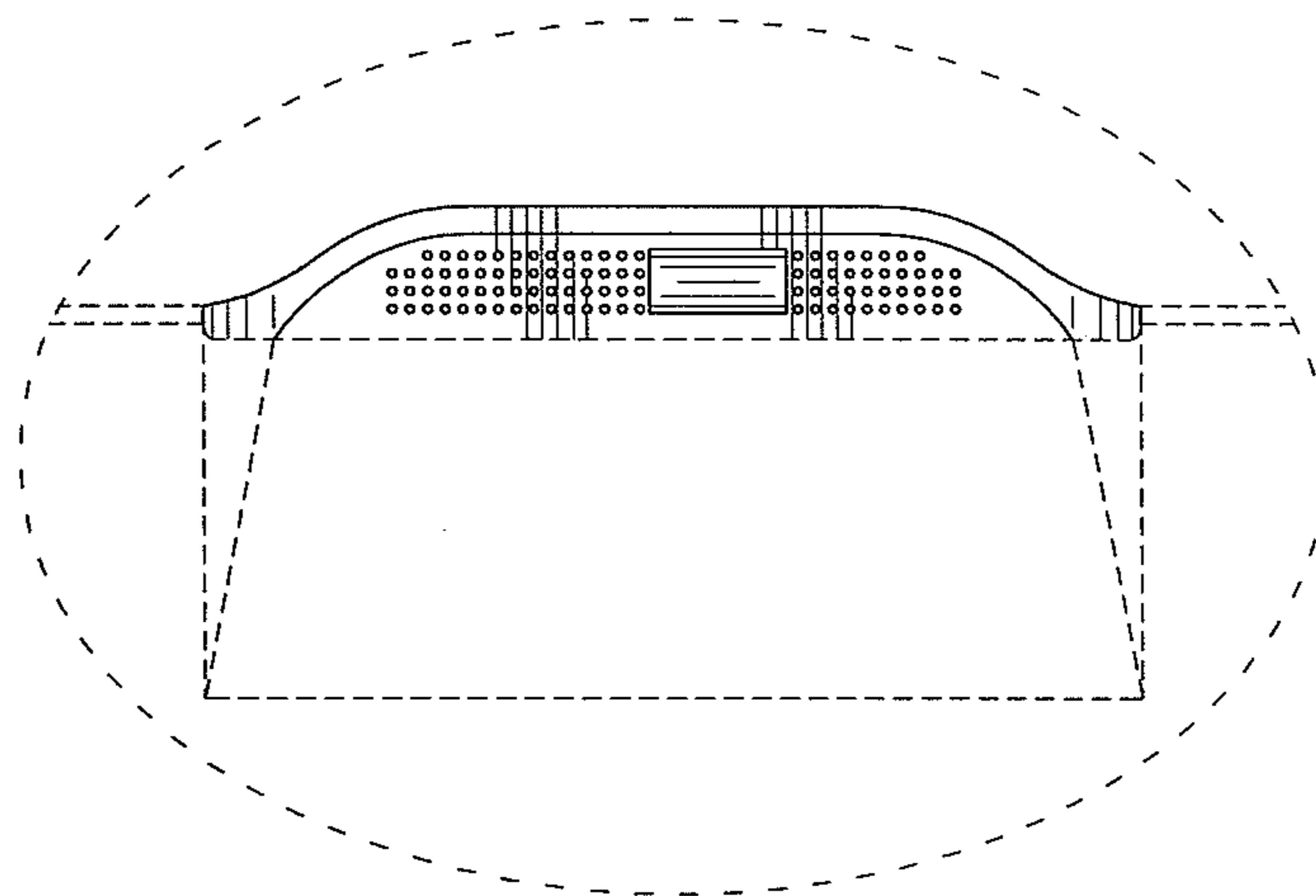


FIG. 9