



US00D708247S

(12) **United States Design Patent**  
**Ookawa et al.**

(10) **Patent No.:** **US D708,247 S**  
(45) **Date of Patent:** **\*\* Jul. 1, 2014**

- (54) **WIRELESS CAMERA**
- (71) Applicant: **Panasonic Corporation**, Kadoma (JP)
- (72) Inventors: **Takayuki Ookawa**, Fukuoka (JP);  
**Yasuko Sekine**, Fukuoka (JP); **Hiroyuki Sumi**, Fukuoka (JP)
- (73) Assignee: **Panasonic Corporation**, Osaka (JP)
- (\*\*) Term: **14 Years**
- (21) Appl. No.: **29/432,782**
- (22) Filed: **Sep. 20, 2012**
- (51) **LOC (10) Cl.** ..... **16-01**
- (52) **U.S. Cl.**  
USPC ..... **D16/203; D16/208**
- (58) **Field of Classification Search**  
CPC ..... G03B 15/03; G03B 17/02; G03B 17/04;  
G03B 17/56; G03B 19/04; H04N 2101/00;  
H04N 2007/145; H04N 7/142; H04N 7/147;  
H04N 7/15; H04N 7/152  
USPC ..... D16/200, 202, 203, 208, 218, 219, 242;  
D14/126, 374; 348/14.01-14.1,  
348/373-376; 396/419, 428, 535, 539-541;  
353/61  
See application file for complete search history.

D486,843	S	*	2/2004	Takahashi	.....	D16/202
6,705,732	B2	*	3/2004	Tsao et al.	.....	353/61
D649,996	S	*	12/2011	Hou	.....	D16/202
D660,338	S	*	5/2012	Chen	.....	D16/202
2005/0057649	A1	*	3/2005	Marks	.....	348/143
2005/0134465	A1	*	6/2005	Rice et al.	.....	340/573.1

FOREIGN PATENT DOCUMENTS

JP D1429736 S 12/2011

\* cited by examiner

*Primary Examiner* — Adir Aronovich

*Assistant Examiner* — Ramzi Almatrahi

(74) *Attorney, Agent, or Firm* — Brinks Gilson & Leone

(57) **CLAIM**

The ornamental design for a wireless camera, as shown and described.

**DESCRIPTION**

FIG. 1 is a front perspective view of a wireless camera of the present invention;  
 FIG. 2 is a rear perspective view thereof;  
 FIG. 3 is a front view thereof;  
 FIG. 4 is a rear view thereof;  
 FIG. 5 is a left side view thereof;  
 FIG. 6 is a right side view thereof;  
 FIG. 7 is a top view thereof; and,  
 FIG. 8 is a bottom view thereof.

The broken lines shown represent unclaimed subject matter and form no part of the claimed design. Additionally, the dash-dot lines denote the boundary of the claim and form no part of the claimed design.

(56) **References Cited**

U.S. PATENT DOCUMENTS

D349,907	S	*	8/1994	Allmendinger	.....	D16/202
5,842,072	A	*	11/1998	Zander et al.	.....	396/535

**1 Claim, 8 Drawing Sheets**

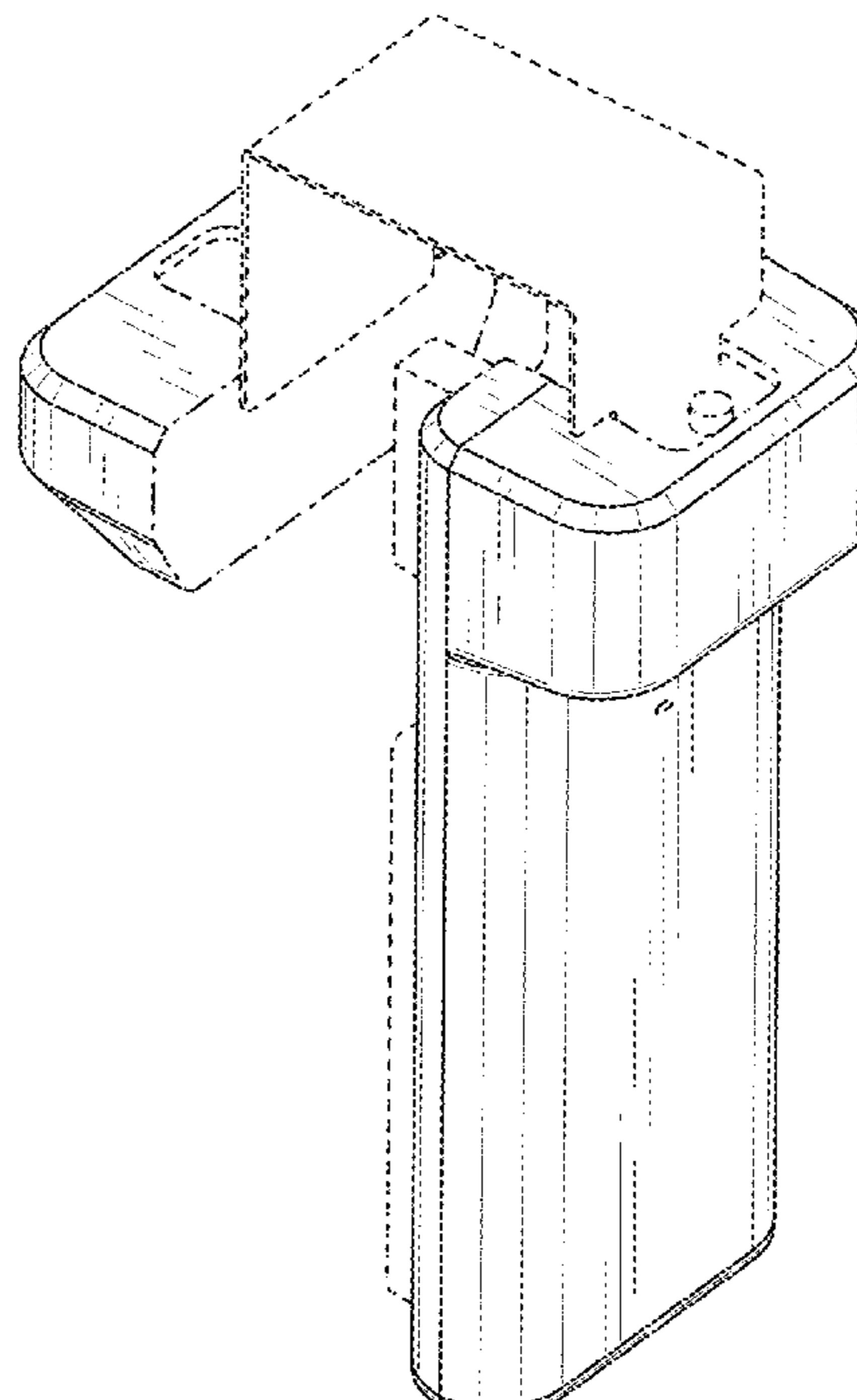
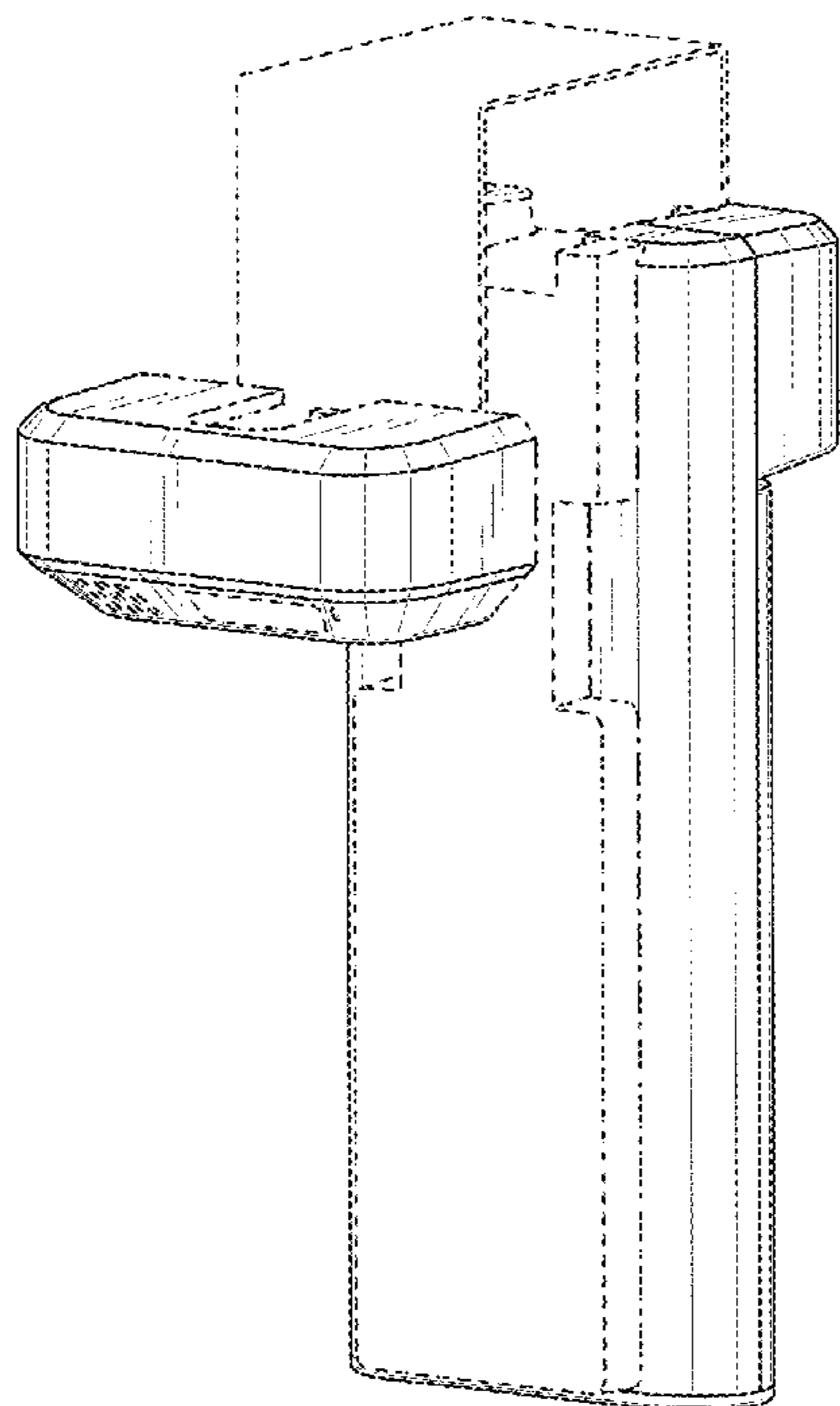


FIG. 1

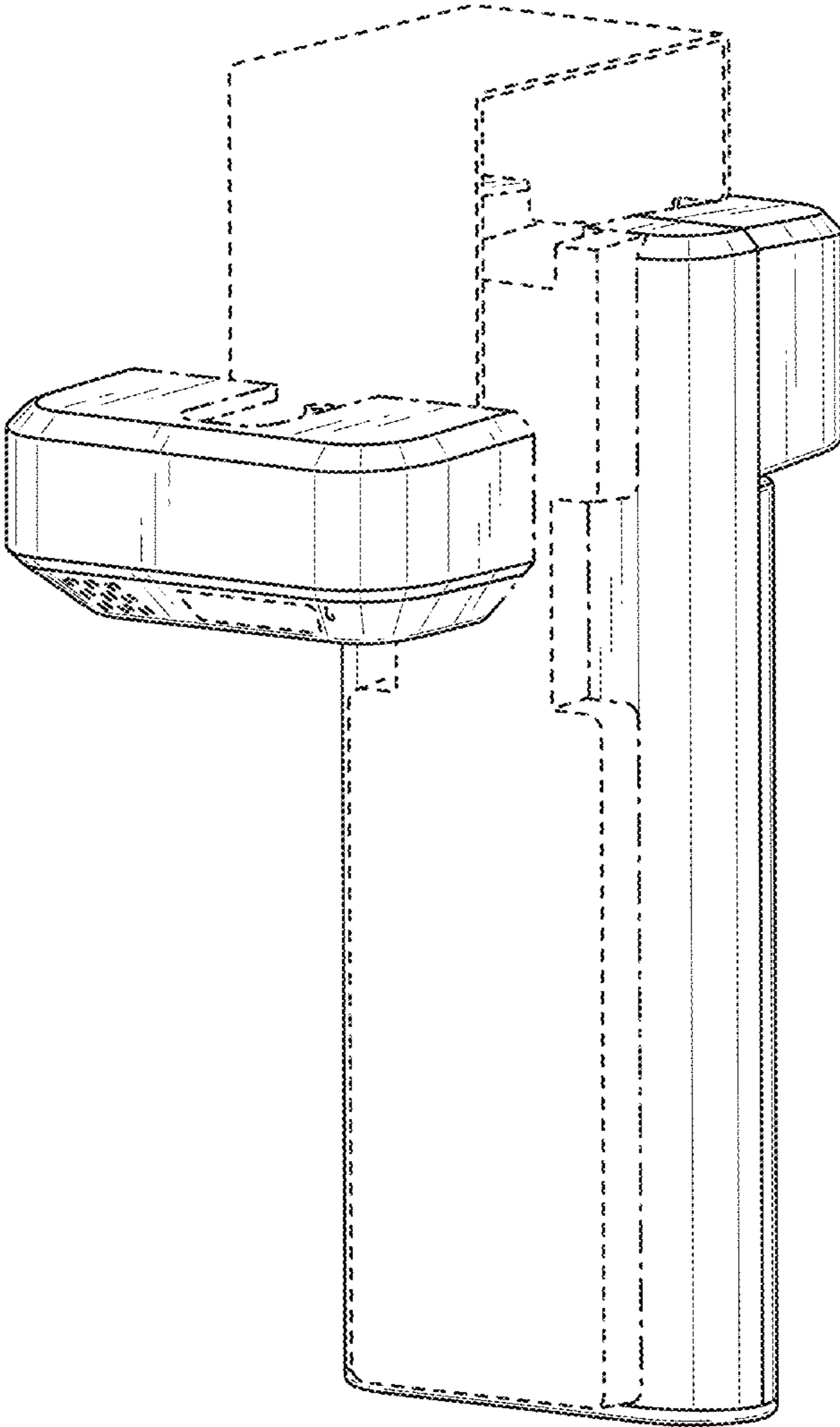


FIG. 2

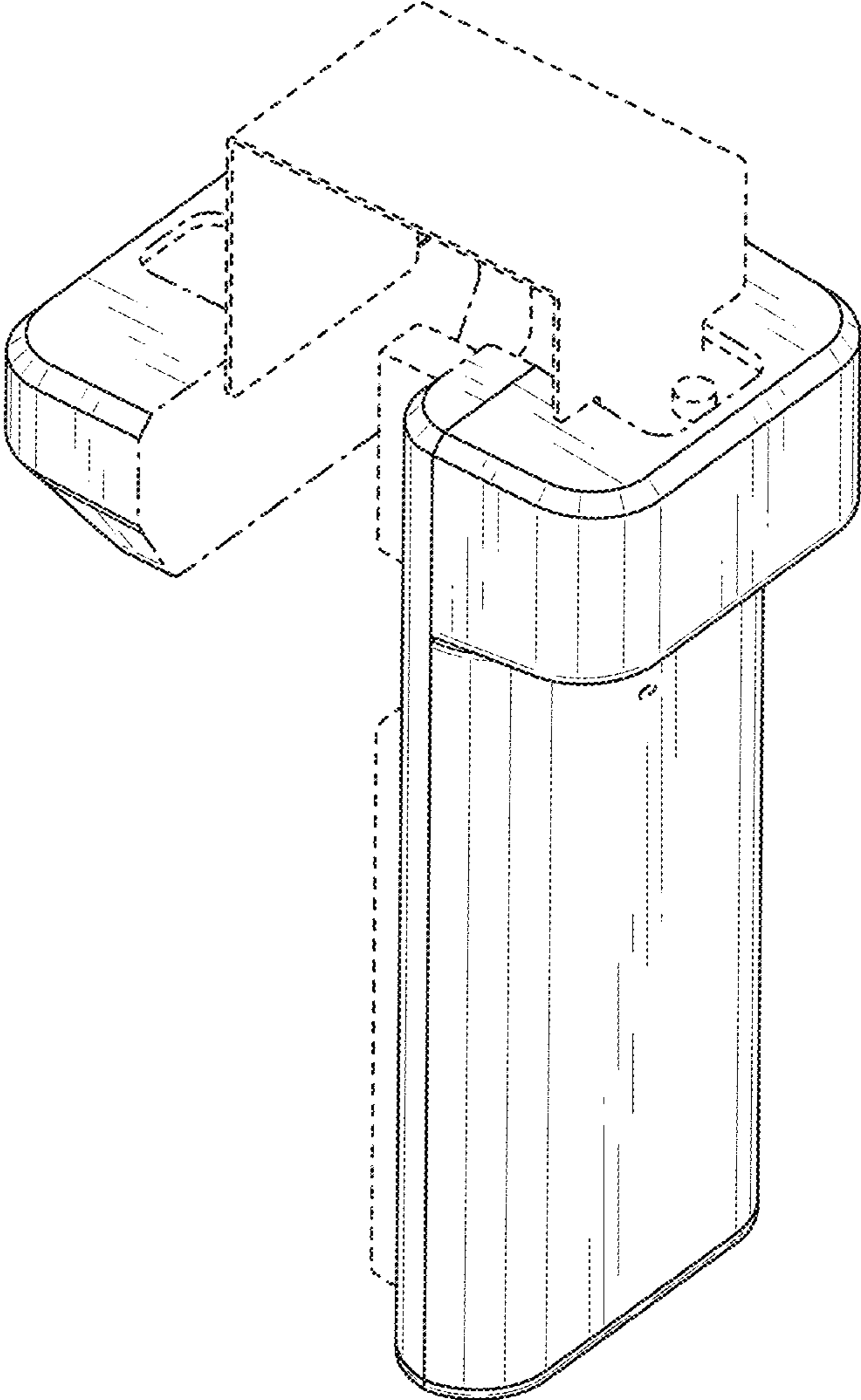


FIG. 3

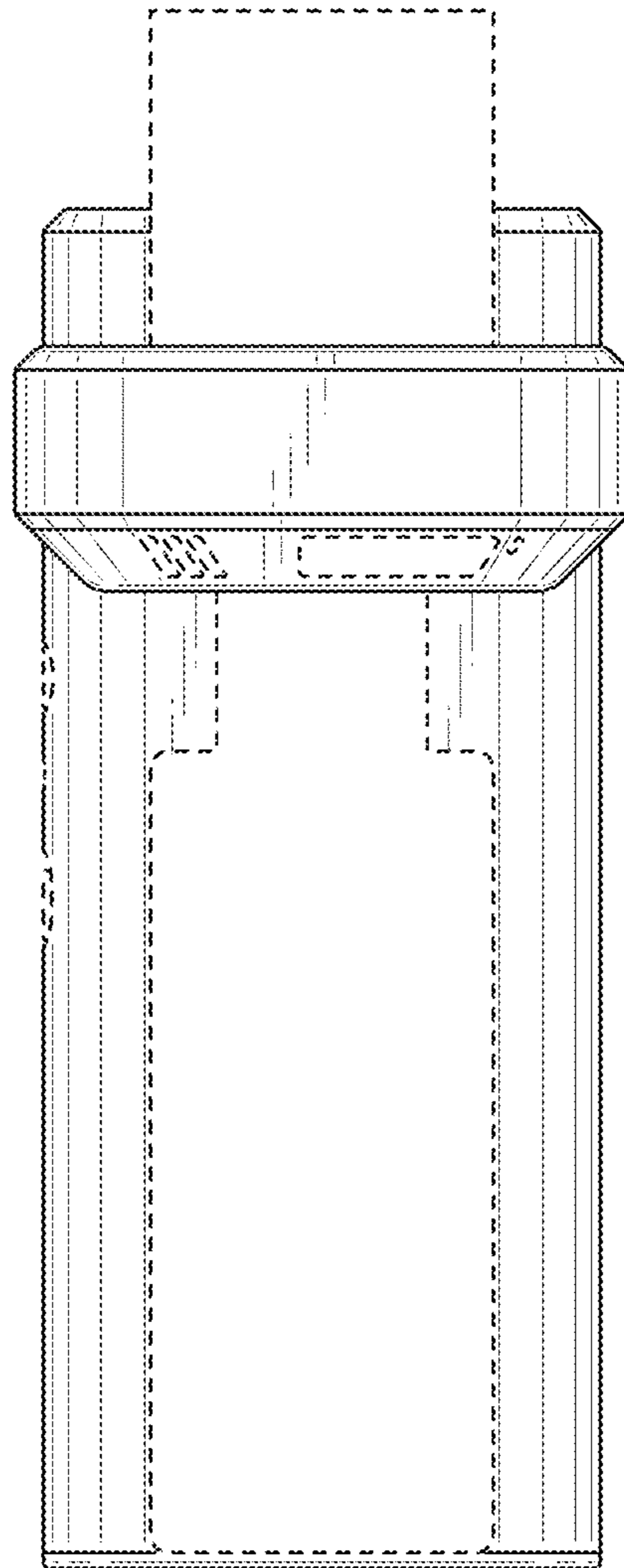


FIG. 4

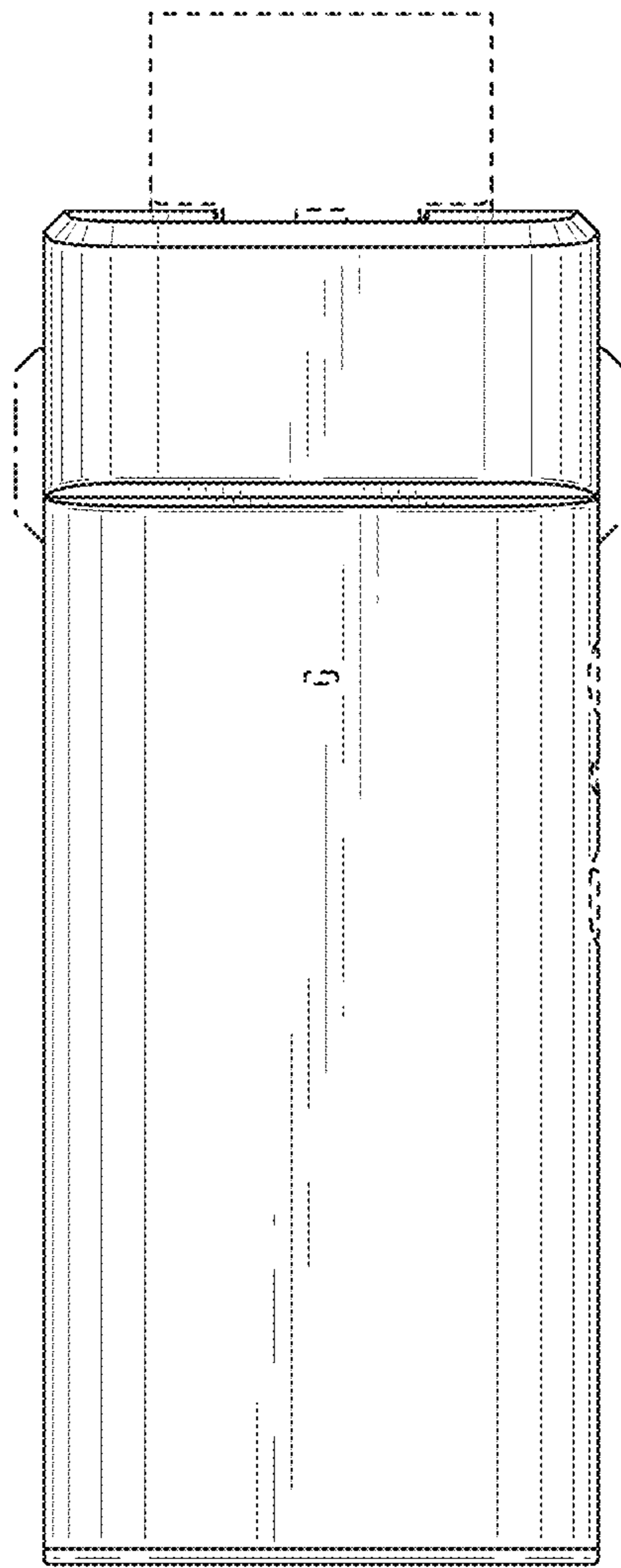


FIG. 5

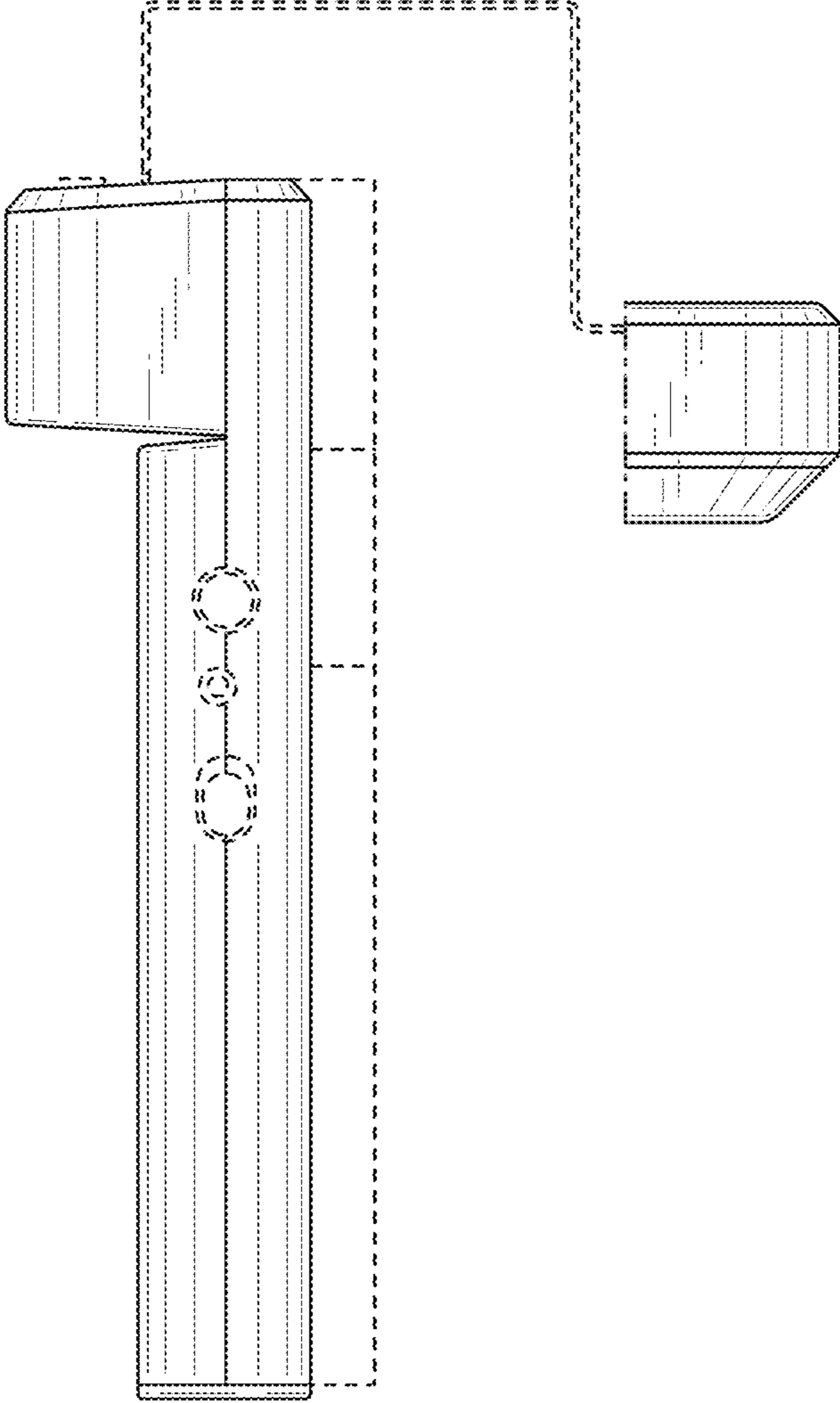


FIG. 6

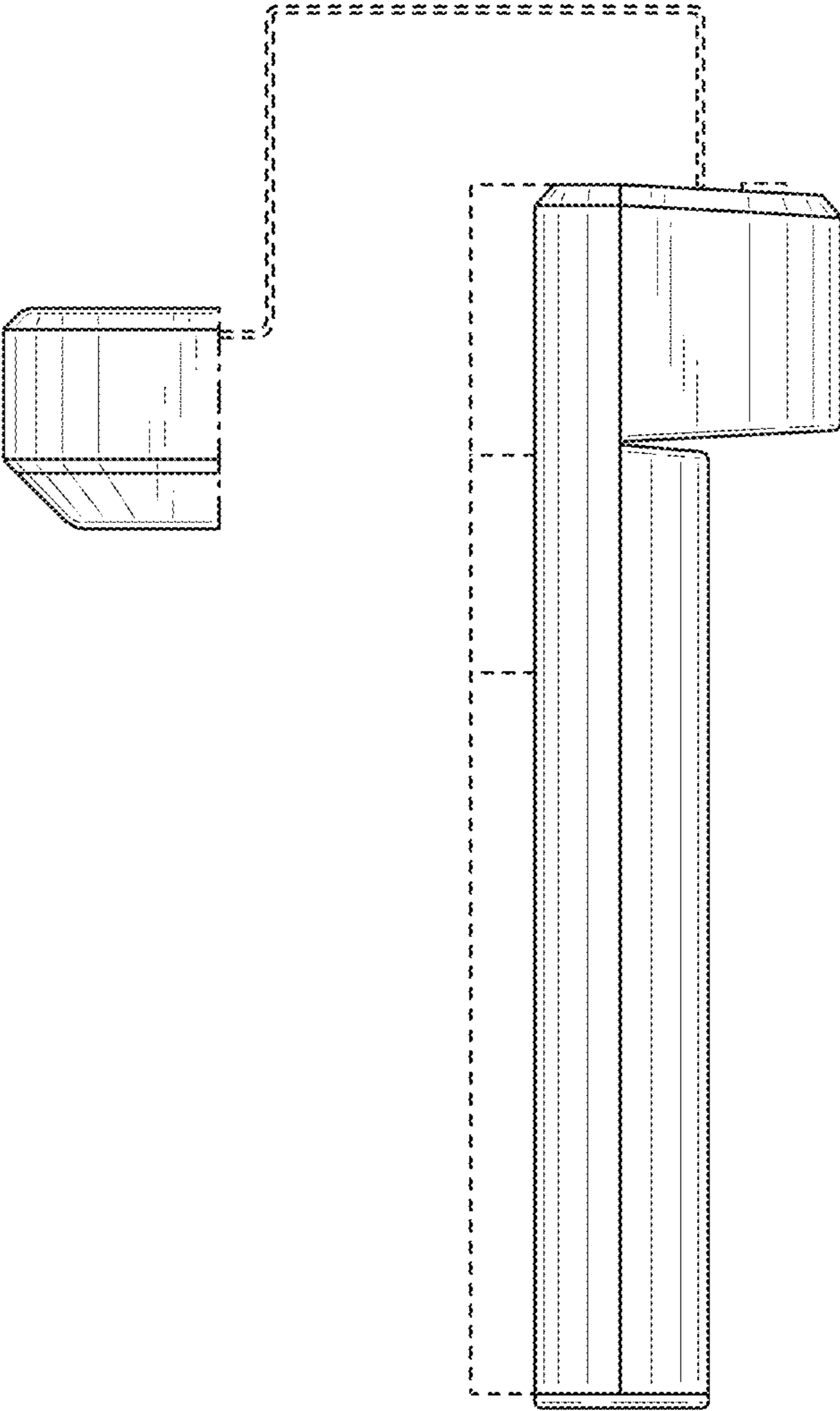


FIG. 7

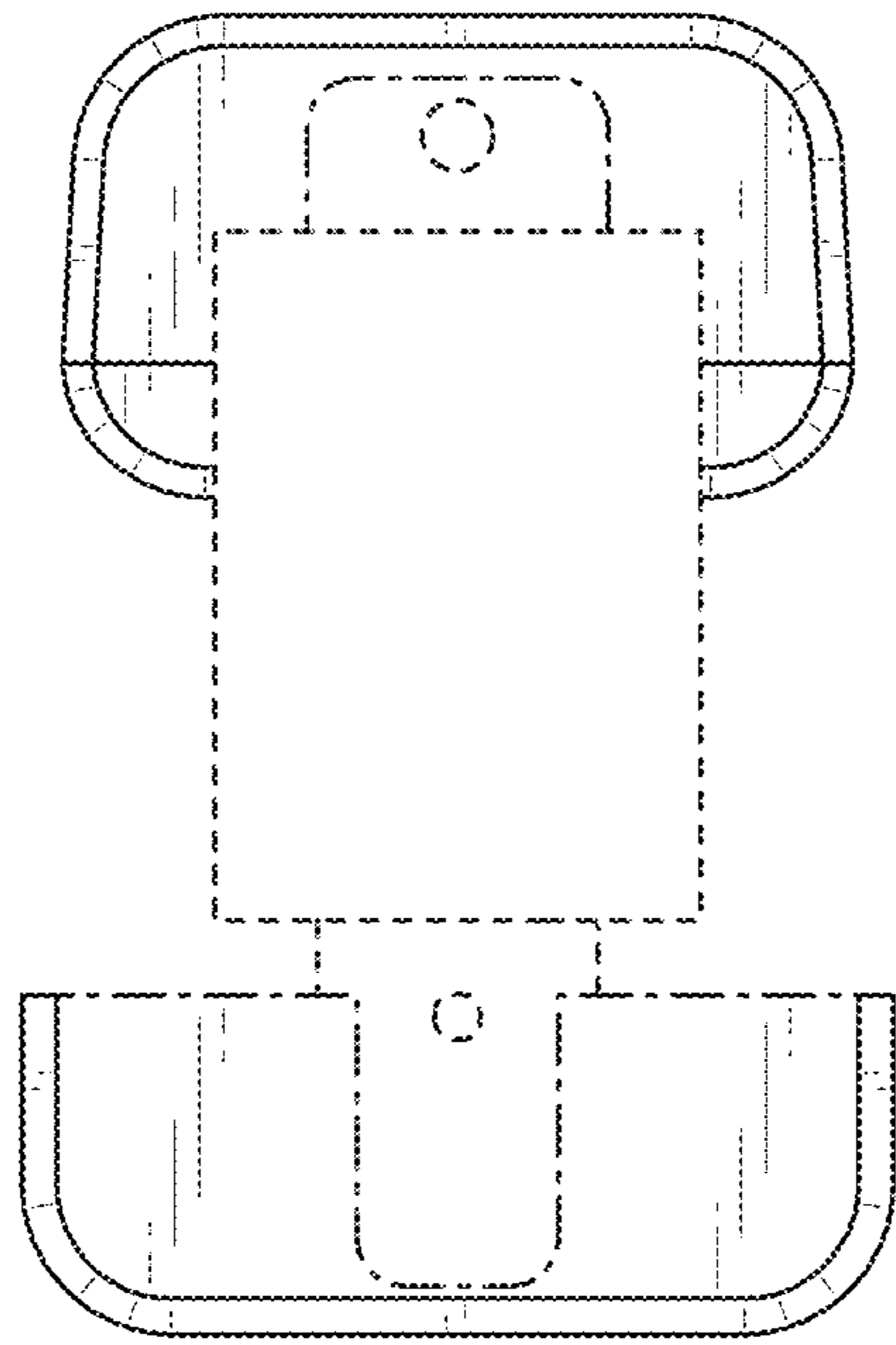




FIG. 8

