



US00D708246S

(12) **United States Design Patent**
Yamauchi

(10) **Patent No.:** **US D708,246 S**
(45) **Date of Patent:** **** Jul. 1, 2014**

(54) **CAMERA**

(56) **References Cited**

(71) Applicant: **Samsung Electronics Co., Ltd.,**
Suwon-si (KR)

(72) Inventor: **Kenji Yamauchi, Seoul (KR)**

(73) Assignee: **Samsung Electronics Co., Ltd.,**
Suwon-si (KR)

(**) Term: **14 Years**

(21) Appl. No.: **29/455,291**

(22) Filed: **May 20, 2013**

(30) **Foreign Application Priority Data**

Nov. 21, 2012 (KR) 30-2012-0055645

(51) **LOC (10) Cl.** **16-01**

(52) **U.S. Cl.**
USPC **D16/202**

(58) **Field of Classification Search**
USPC D16/202, 204, 208, 218; 348/373-376;
358/909.1; 396/535, 540, 541, 543

See application file for complete search history.

U.S. PATENT DOCUMENTS

D576,650 S *	9/2008	Shibata et al.	D16/202
7,646,426 B2 *	1/2010	Saiki et al.	348/373
D639,841 S *	6/2011	Sul	D16/202
8,014,667 B2 *	9/2011	Saiki	396/535
D650,409 S *	12/2011	Lee	D16/202
D660,337 S *	5/2012	Hwang	D16/202
D688,291 S *	8/2013	Yum	D16/202
D695,803 S *	12/2013	Kyunghan et al.	D16/202

* cited by examiner

Primary Examiner — Adir Aronovich
(74) *Attorney, Agent, or Firm* — NSIP Law

(57) **CLAIM**

The ornamental design for a camera, as shown and described.

DESCRIPTION

FIG. 1 is a top, front and left side perspective view of a camera showing my new design;
FIG. 2 is a front elevational view thereof;
FIG. 3 is a rear elevational view thereof;
FIG. 4 is a left side elevational view thereof;
FIG. 5 is a right side elevational thereof;
FIG. 6 is a top plan view thereof; and,
FIG. 7 is a bottom plan view thereof.

The broken lines are for environmental purposes only and form no part of the claimed design. The shade lines in the figures show contour and not surface ornamentation. The diagonal lines in the FIGS. 1-3 represent a reflective surface.

1 Claim, 5 Drawing Sheets

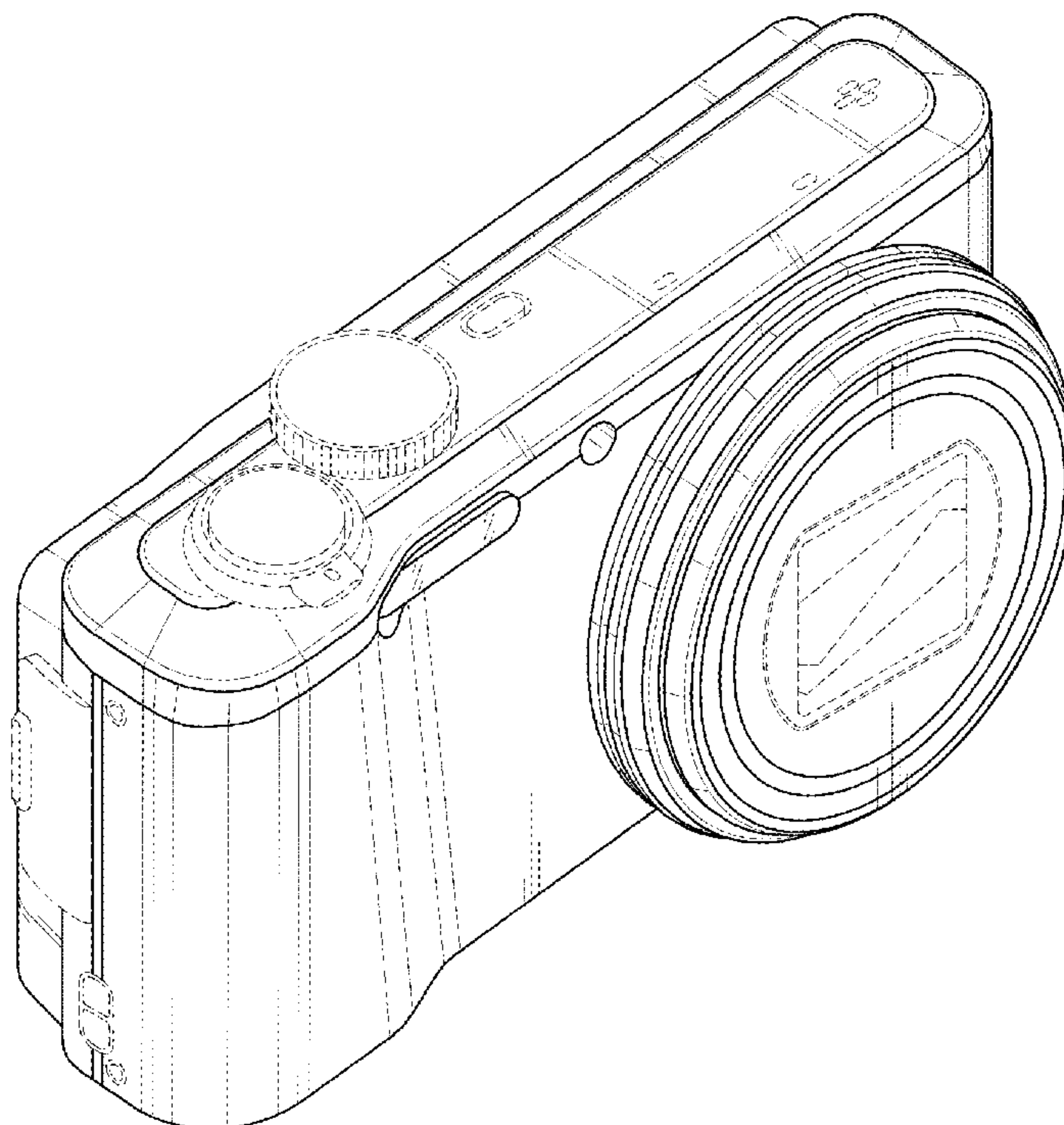


FIG. 1

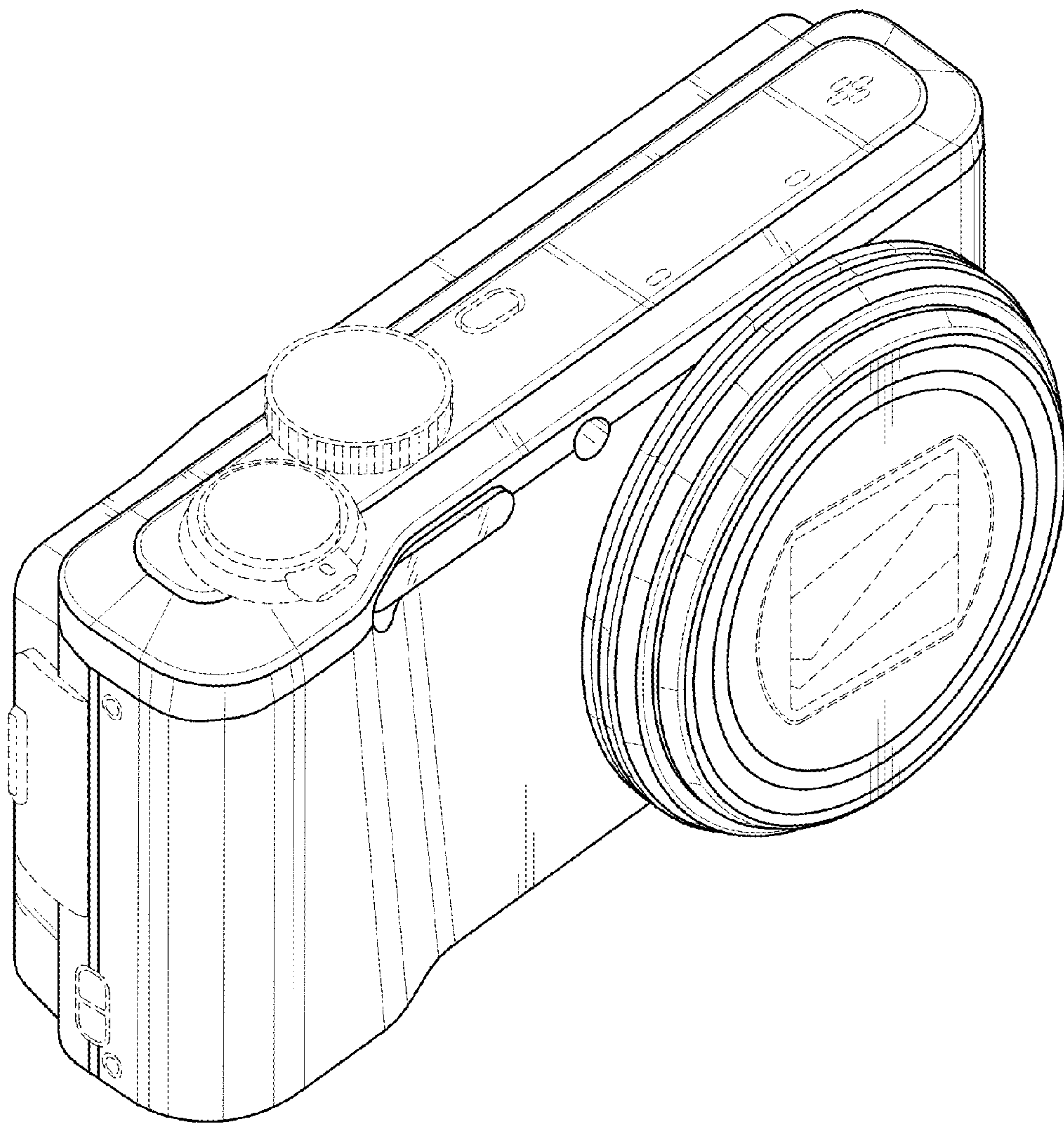


FIG. 2

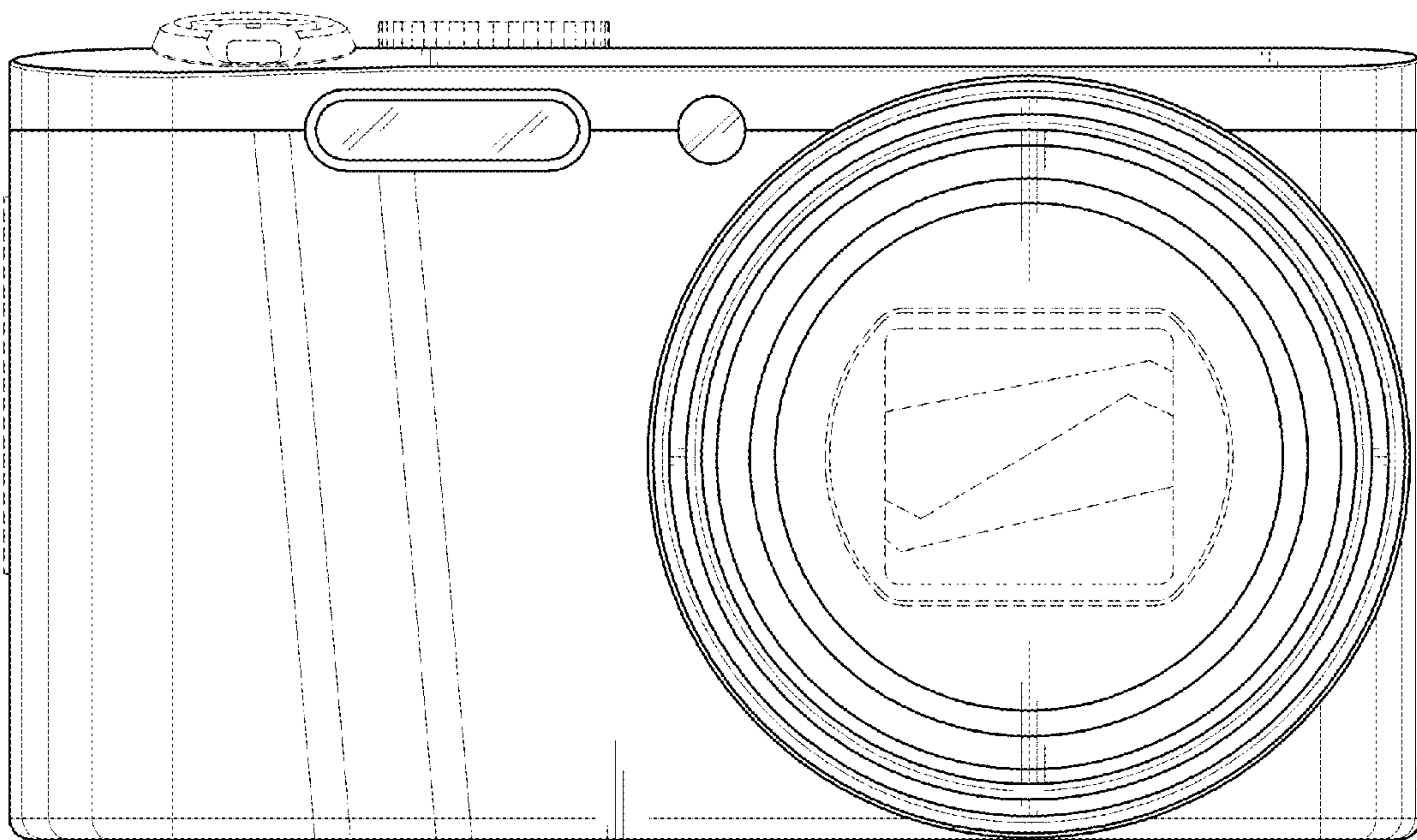


FIG. 3

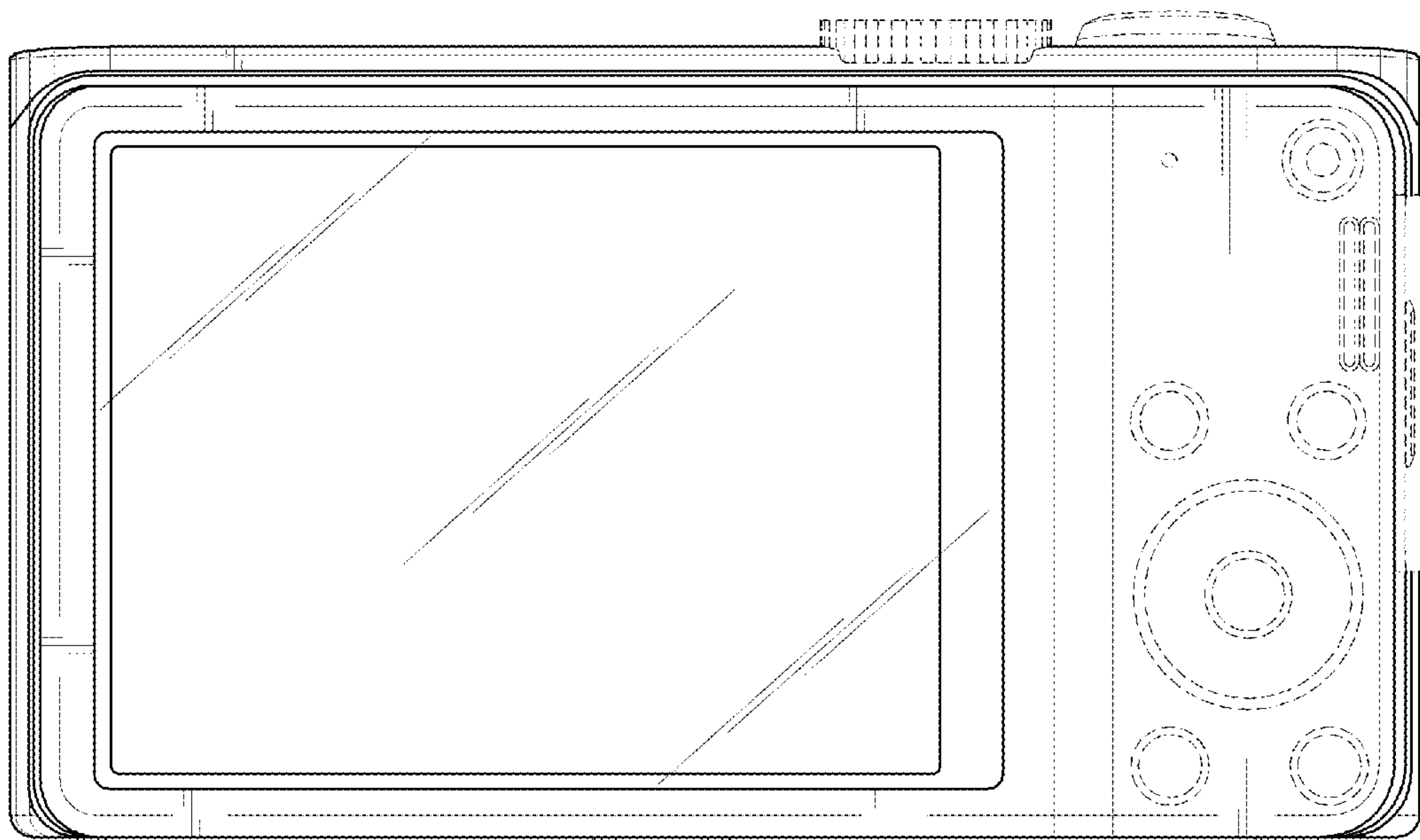


FIG. 4

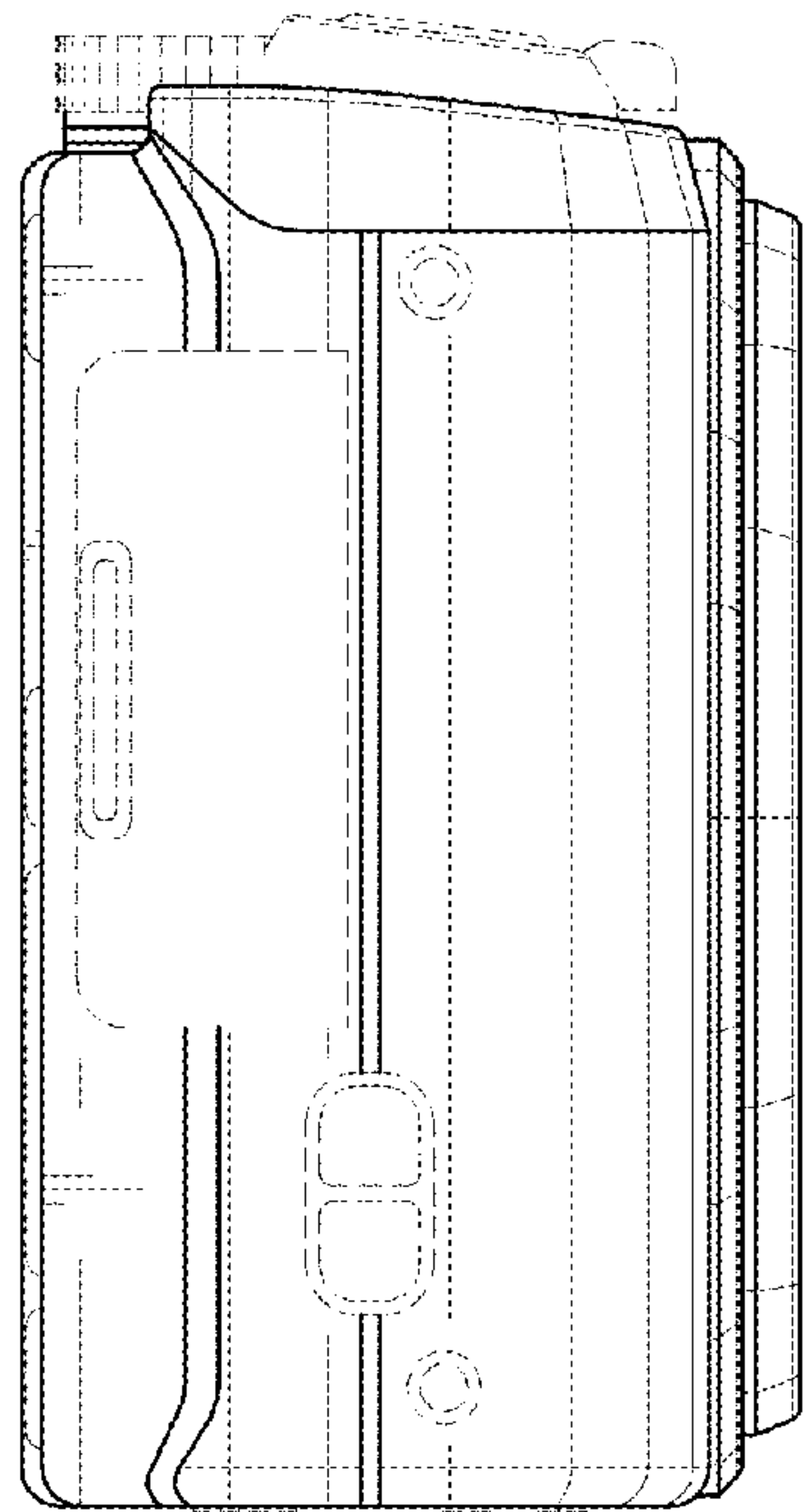


FIG. 5

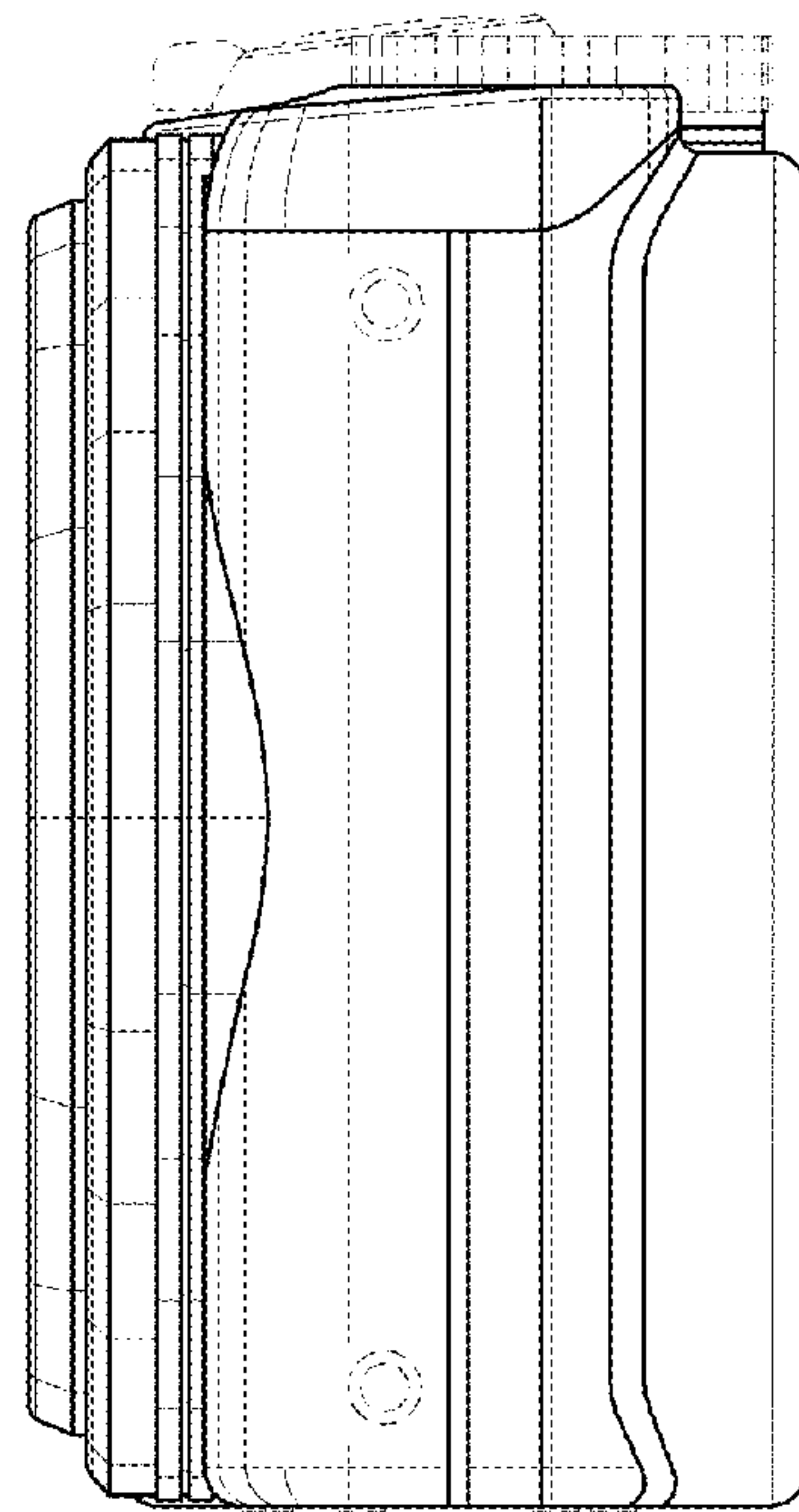


FIG. 6

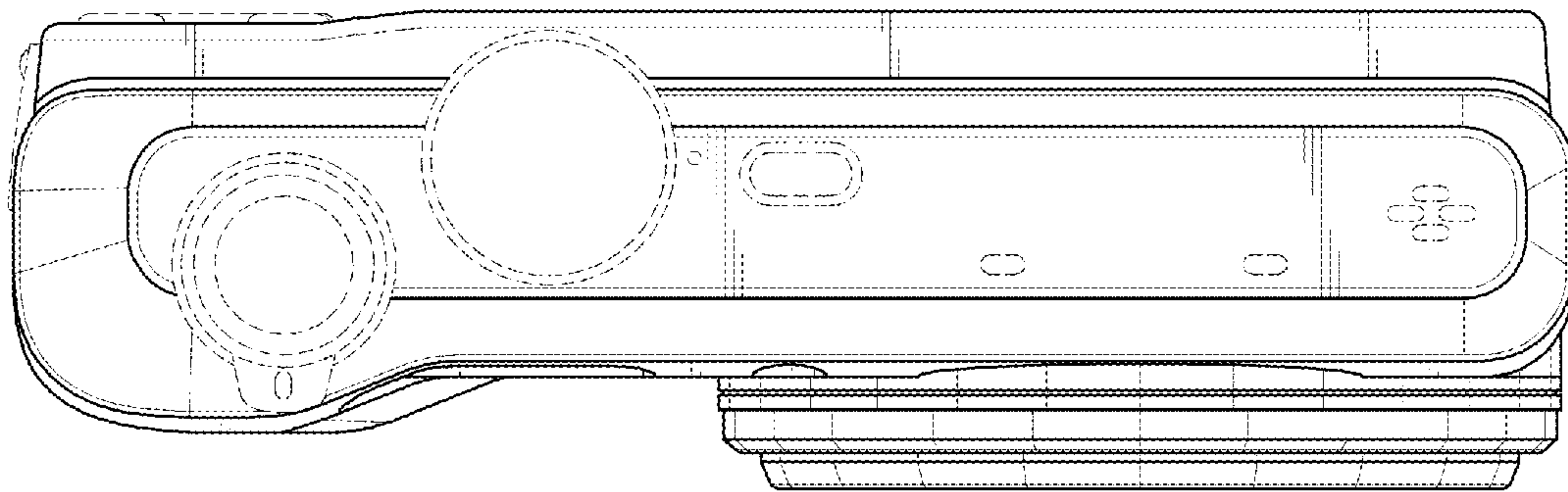


FIG. 7

