



US00D708241S

(12) **United States Design Patent**
Stephens et al.

(10) **Patent No.:** **US D708,241 S**

(45) **Date of Patent:** **** *Jul. 1, 2014**

(54) **EXTENDED HOUSING FOR A CARBON ARC GOUGING TORCH**

(71) Applicant: **Victor Equipment Company**, Denton, TX (US)

(72) Inventors: **Mike Stephens**, The Colony, TX (US); **Glenn K. Redding**, Flower Mound, TX (US); **Jeffrey S. Henderson**, Corinth, TX (US)

(73) Assignee: **Victor Equipment Company**, Denton, TX (US)

(*) Notice: This patent is subject to a terminal disclaimer.

(**) Term: **14 Years**

(21) Appl. No.: **29/472,579**

(22) Filed: **Nov. 13, 2013**

(51) **LOC (10) Cl.** **15-09**

(52) **U.S. Cl.**
USPC **D15/144**

(58) **Field of Classification Search**
USPC D8/14, 29.1, 30, 107; D15/144-144.2; 219/48, 74, 75, 76.16, 119, 120, 219/121.39, 121.47, 121.48, 121.5, 121.51, 219/121.52, 121.53, 137.31, 137.42, 219/137.61, 137.62, 137.7; 239/414; 266/48

See application file for complete search history.

(56) **References Cited**

U.S. PATENT DOCUMENTS

D299,352 S * 1/1989 Spaulding et al. D15/144
D343,629 S * 1/1994 Bode D15/144

D346,390 S * 4/1994 Sperling et al. D15/144
D489,079 S * 4/2004 Horner-Richardson et al. D15/144
D501,632 S * 2/2005 Hewett et al. D8/30
D502,716 S * 3/2005 Ridley et al. D15/144
D514,606 S * 2/2006 Picaza D15/144.2
D527,401 S * 8/2006 Mizuno et al. D15/144
D555,446 S * 11/2007 Picaza Ibarrondo D8/30
D594,300 S * 6/2009 Picaza Ibarrondo D8/29.1
D653,270 S * 1/2012 Furujo et al. D15/144
D698,378 S * 1/2014 Leiteritz et al. D15/144.2
D698,835 S * 2/2014 Juskowich et al. D15/144

* cited by examiner

Primary Examiner — Patricia Palasik

(74) *Attorney, Agent, or Firm* — Brinks Gilson & Lione

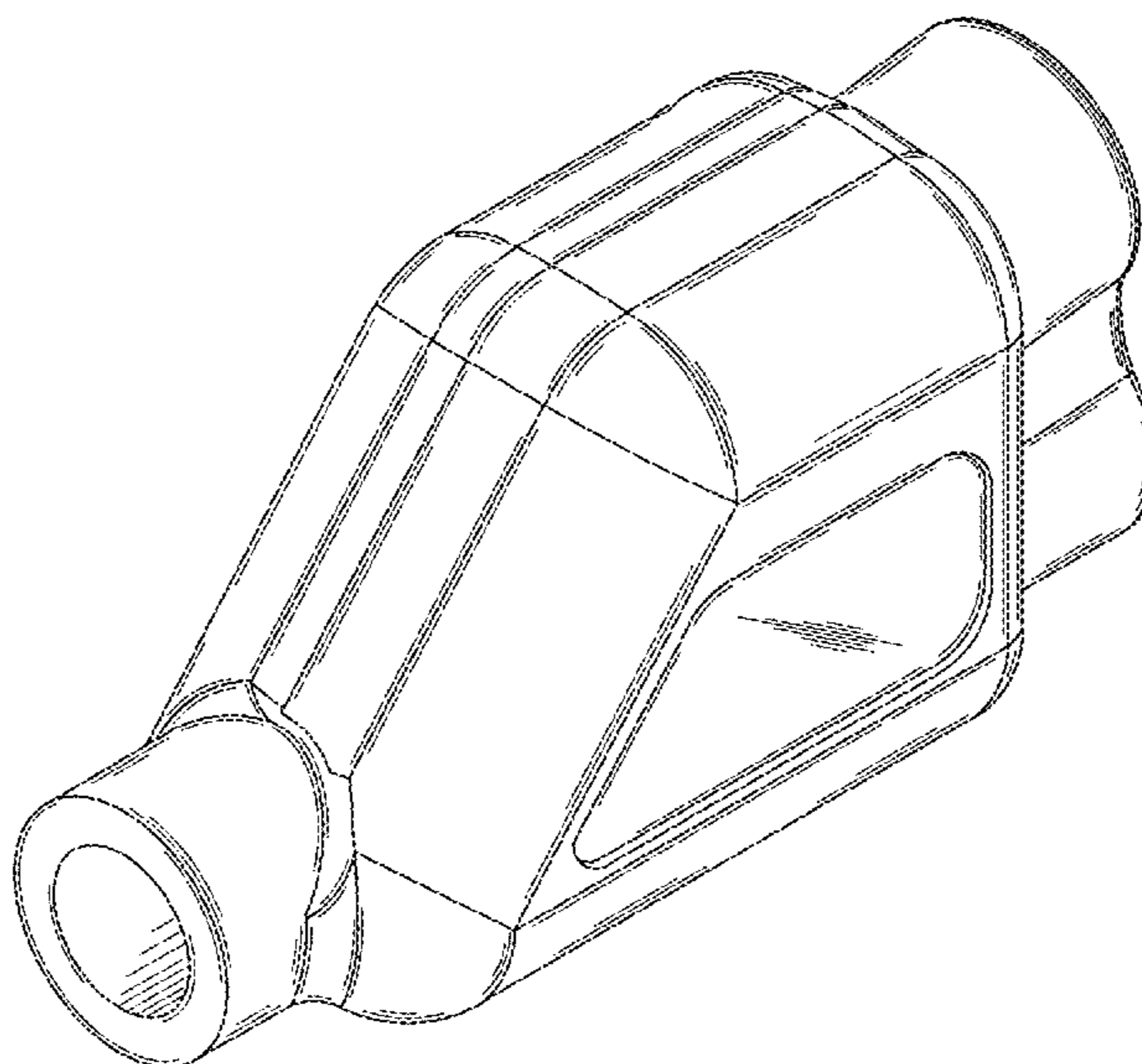
(57) **CLAIM**

The ornamental design for an extended housing for a carbon arc gouging torch, as shown and described.

DESCRIPTION

FIG. 1 is a front perspective view of the extended housing for a carbon arc gouging torch;
FIG. 2 is rear perspective view thereof;
FIG. 3 is a right side view thereof;
FIG. 4 is a left side view thereof;
FIG. 5 is a front view thereof;
FIG. 6 is a rear view thereof;
FIG. 7 is a top view thereof; and,
FIG. 8 is a bottom view thereof.

1 Claim, 8 Drawing Sheets



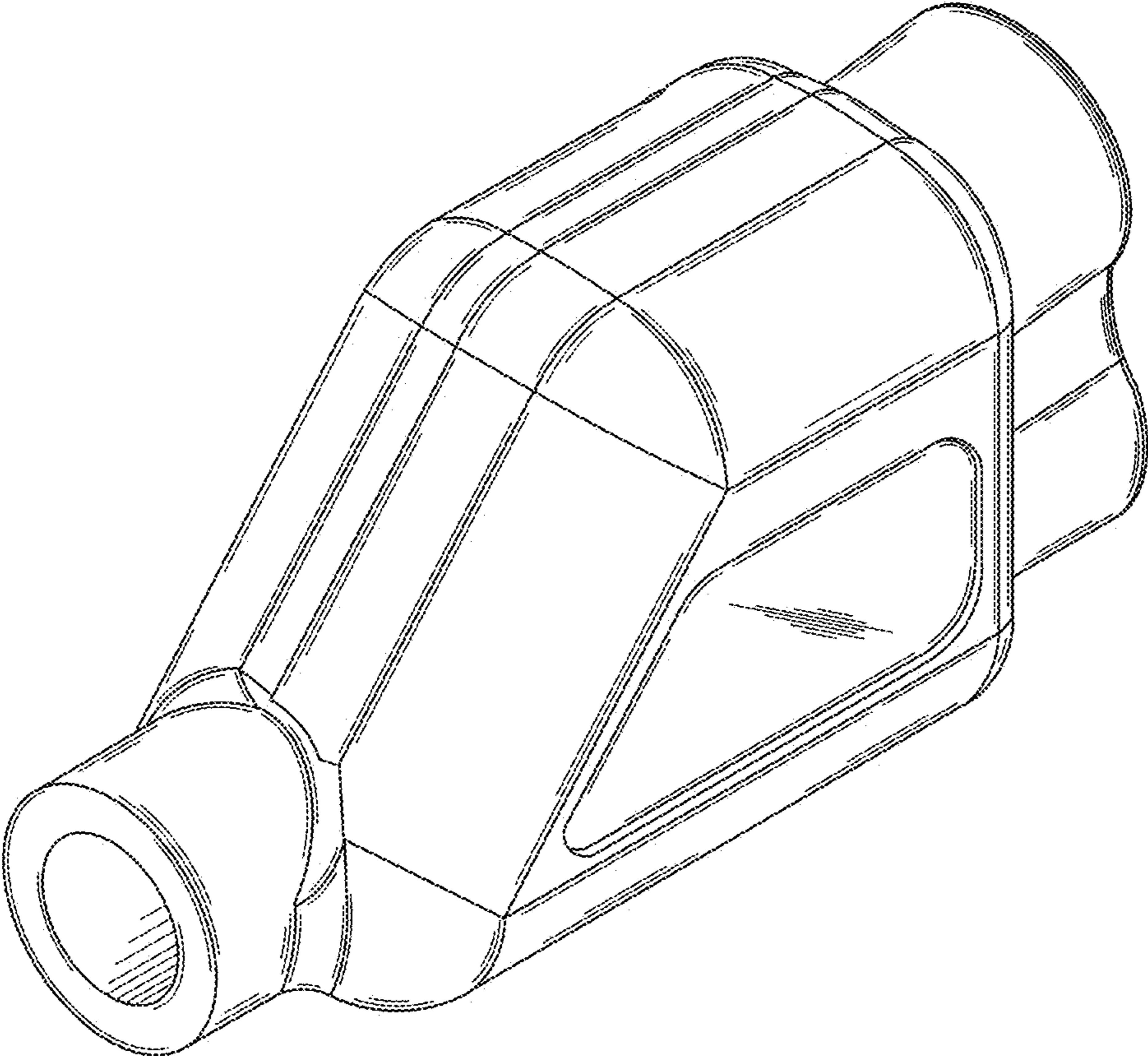


FIG. 1

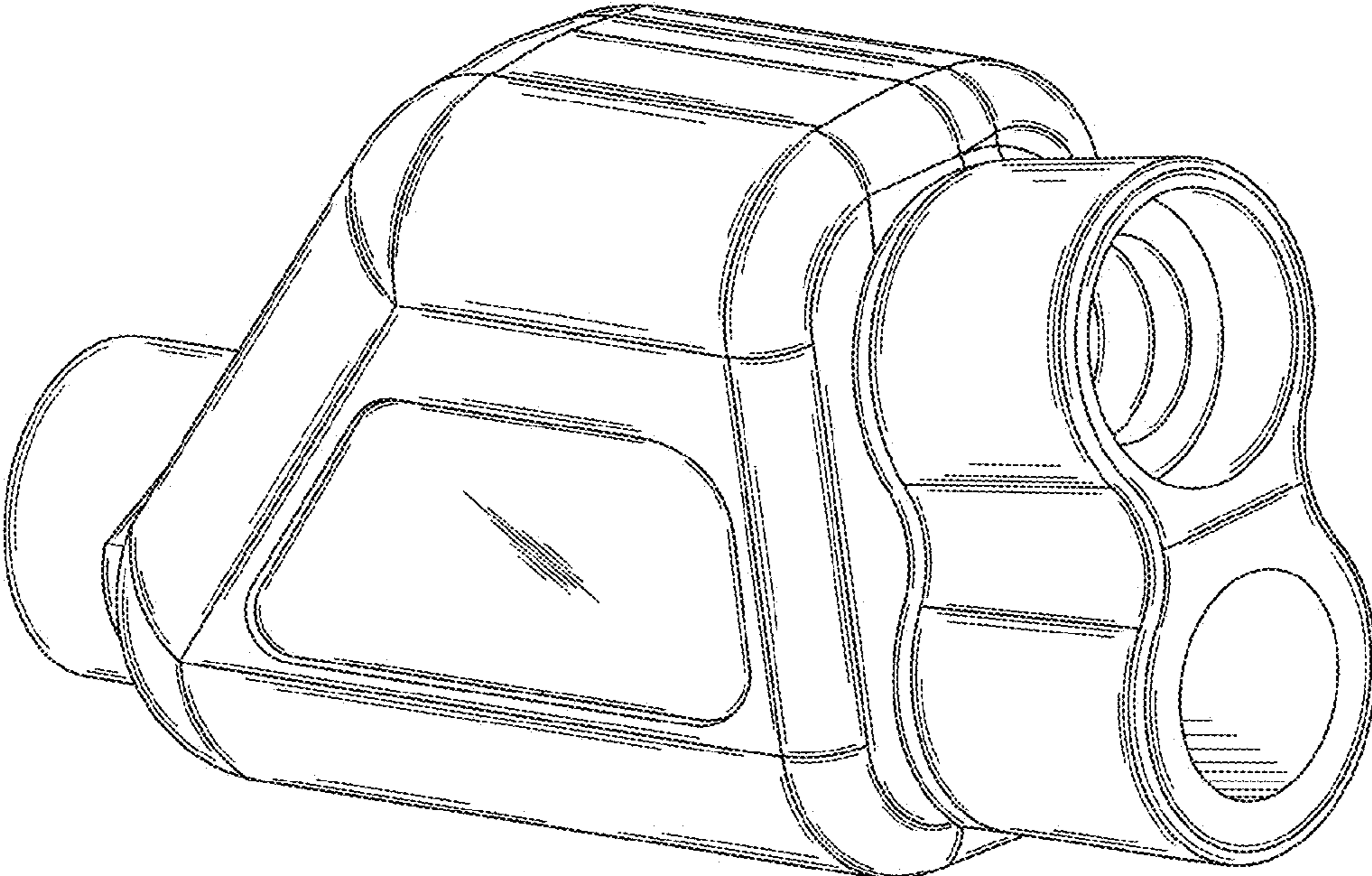


FIG. 2

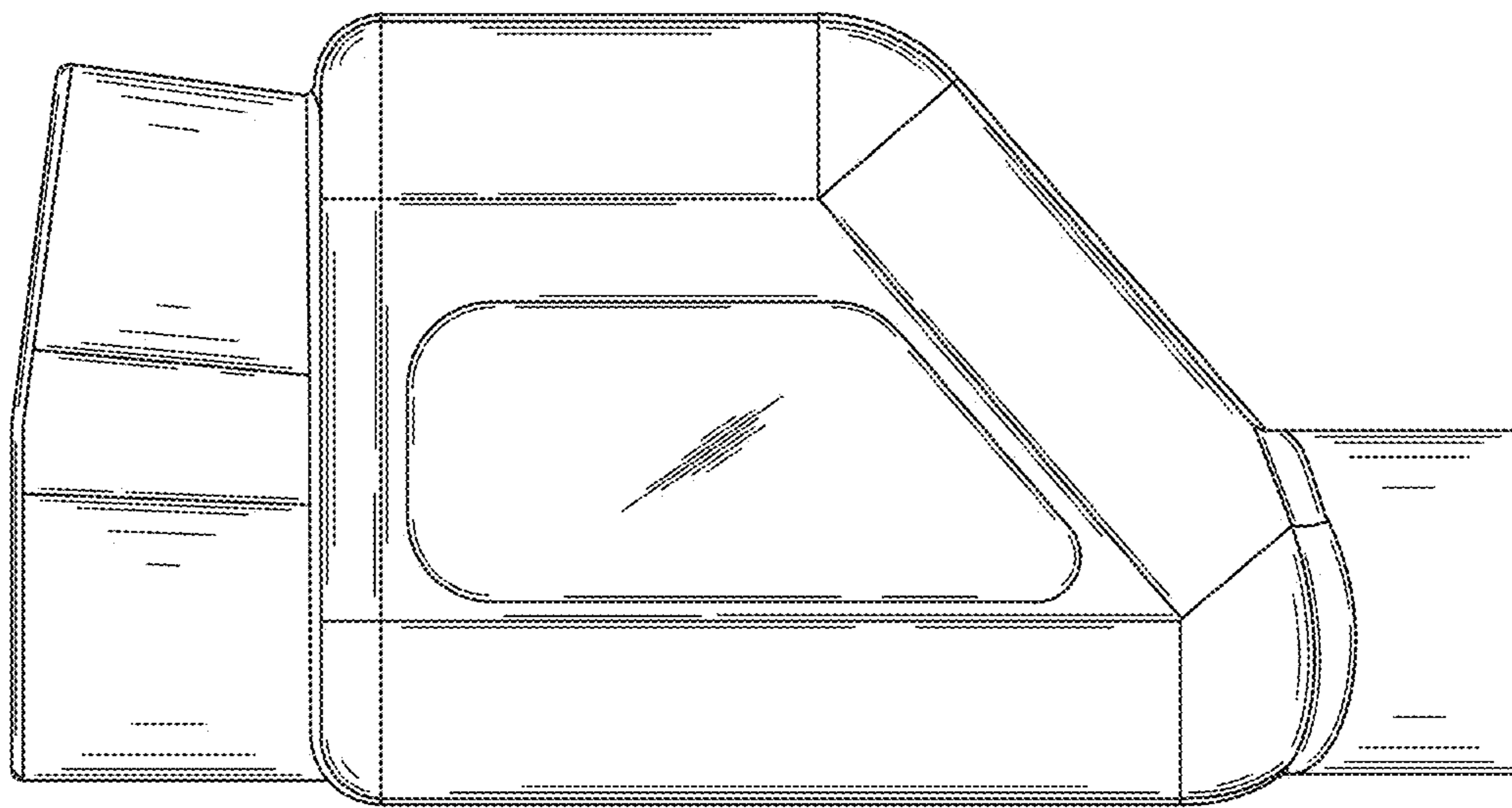


FIG. 3

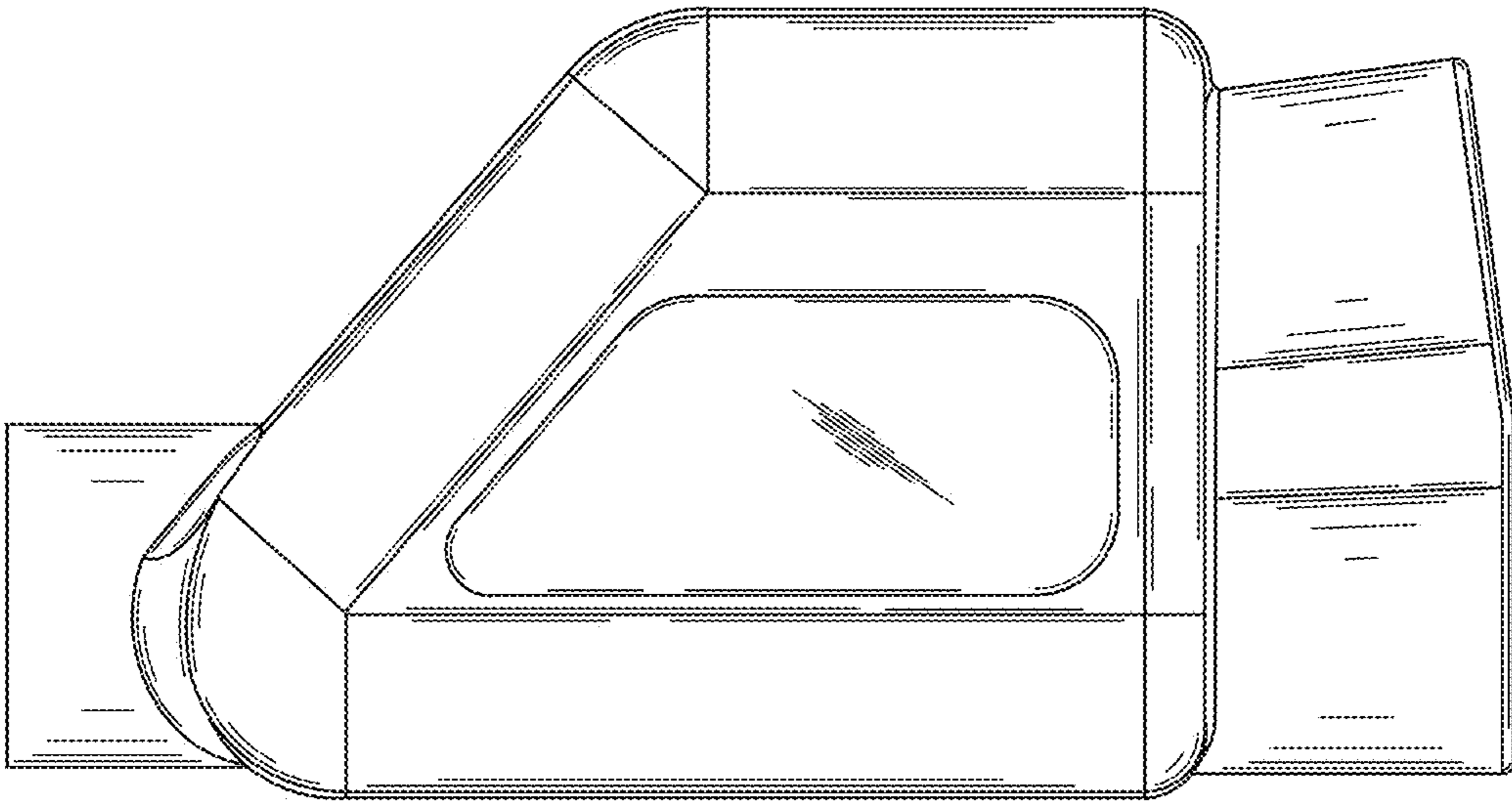


FIG. 4

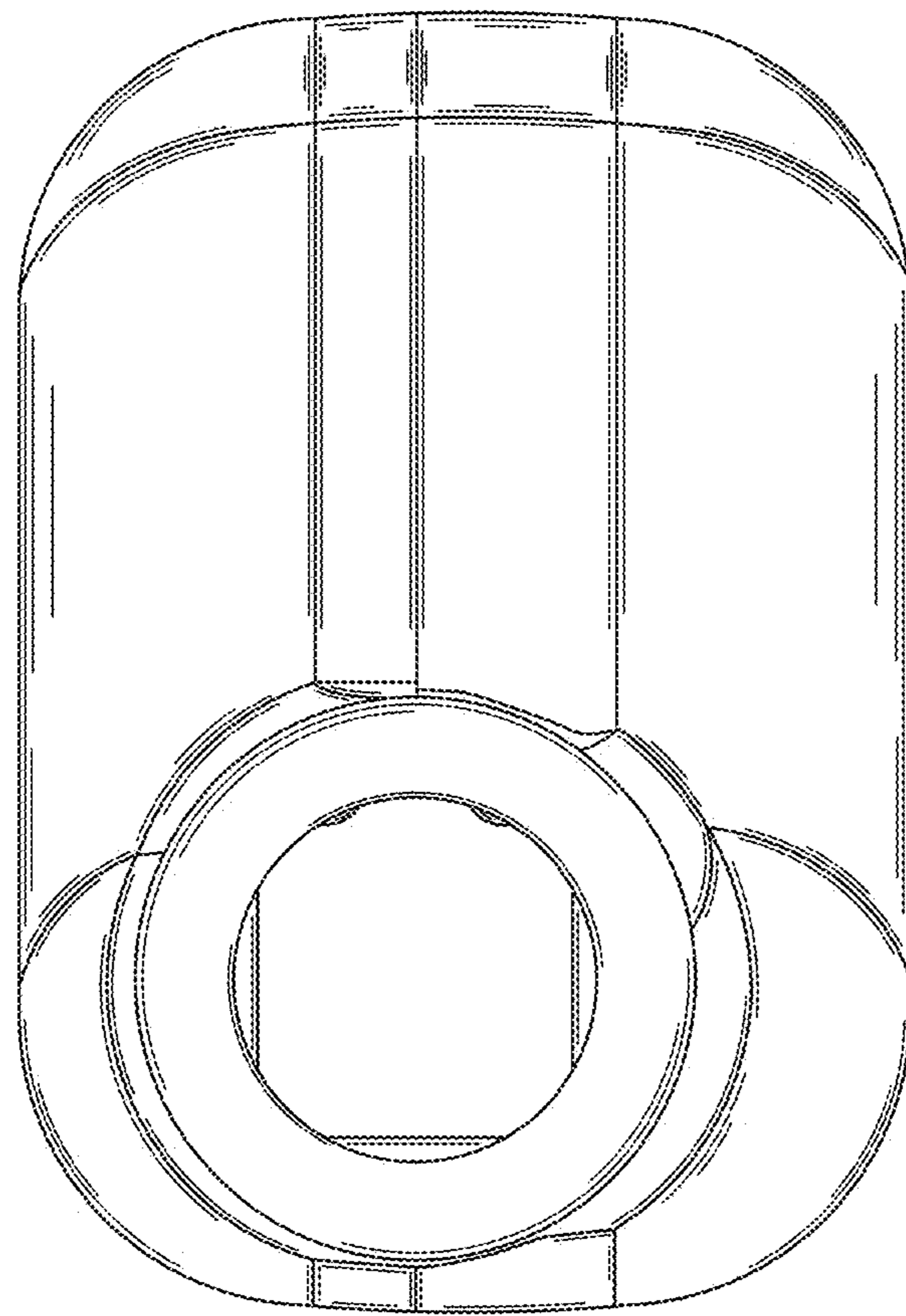


FIG. 5

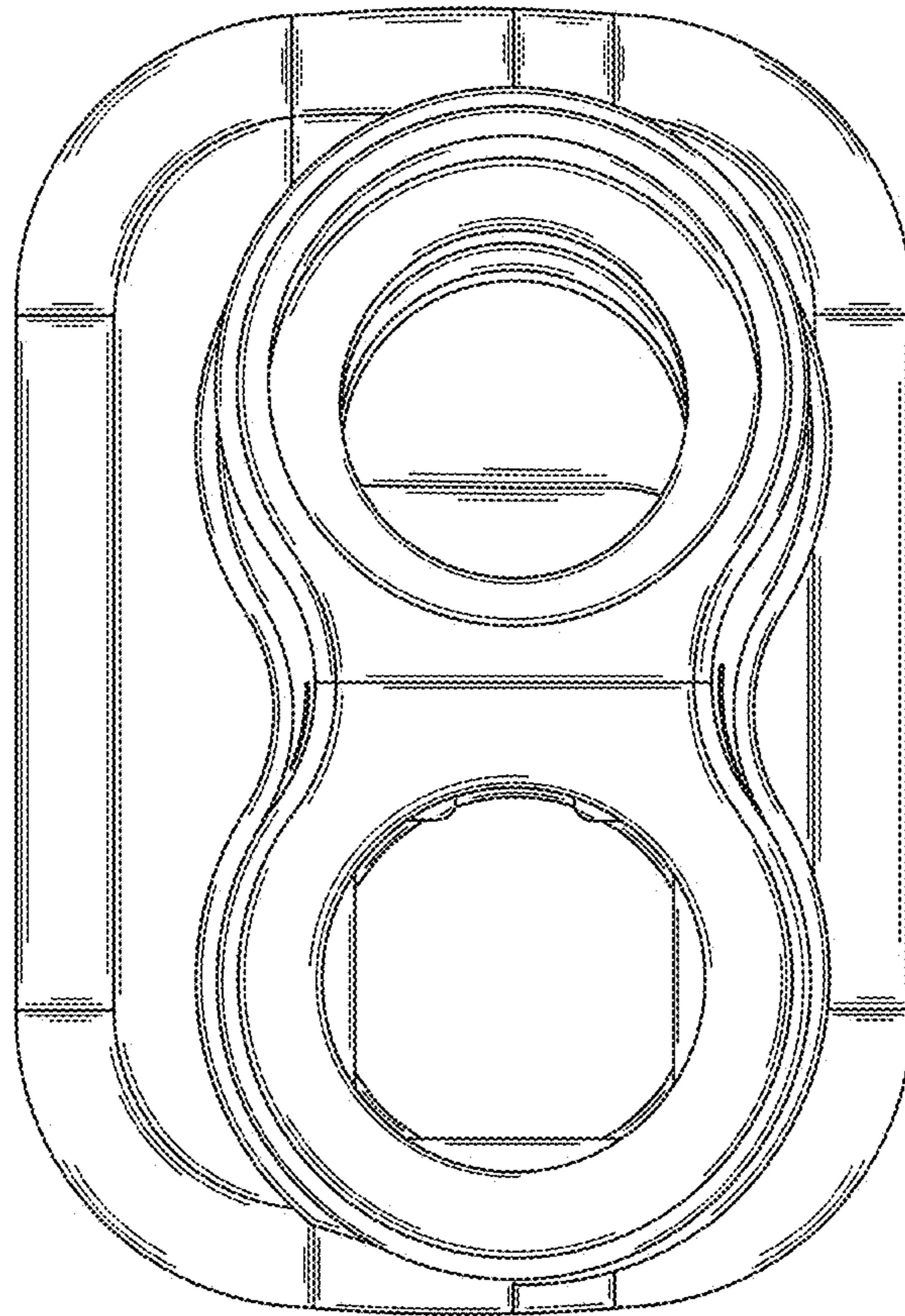


FIG. 6

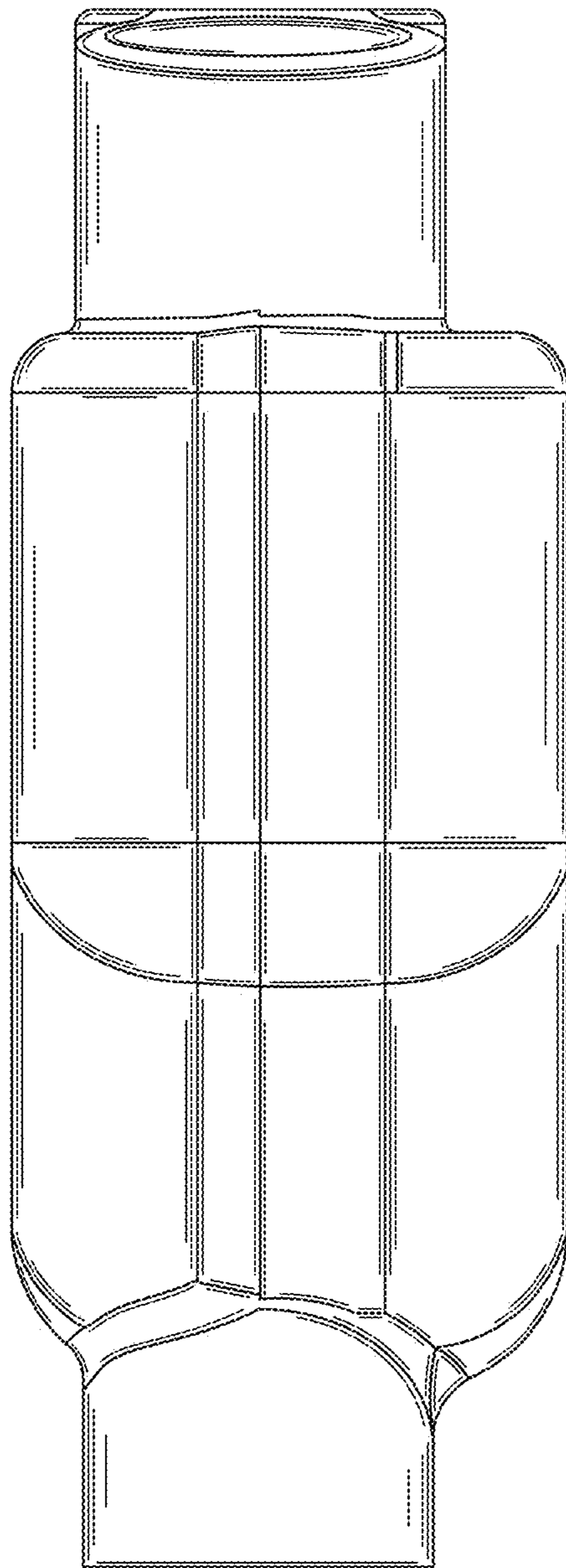


FIG. 7

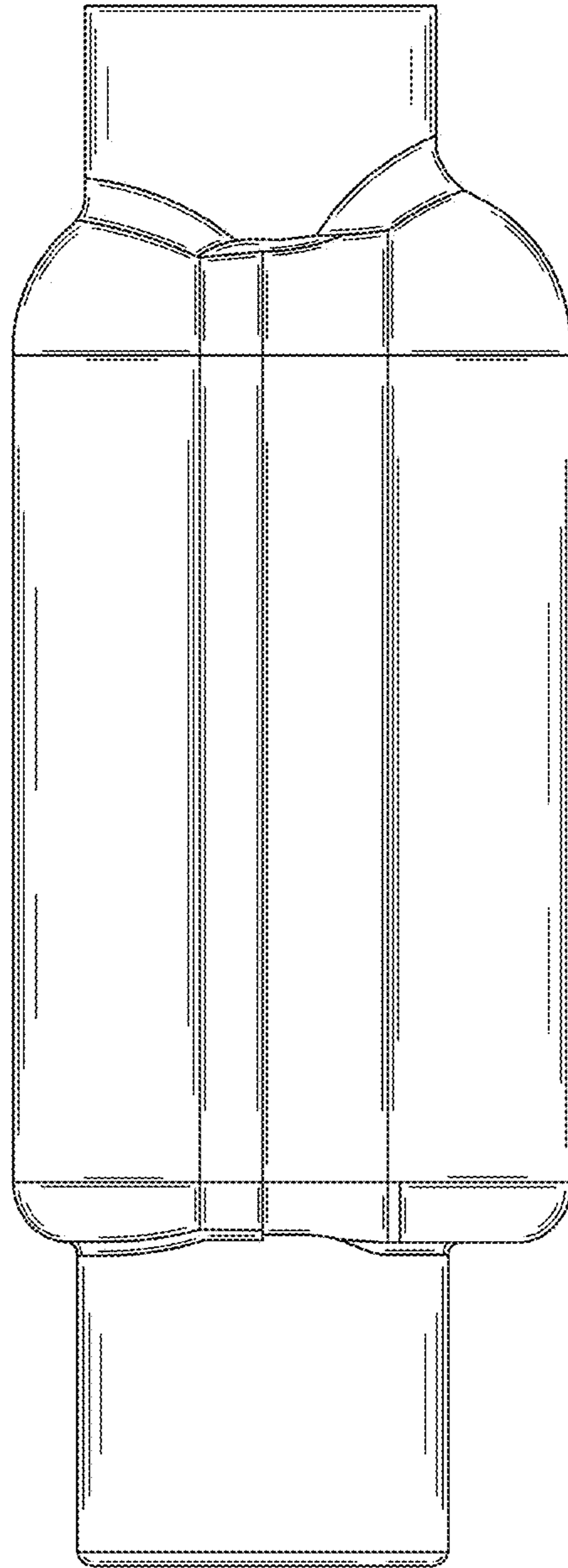


FIG. 8