



US00D708237S

(12) **United States Design Patent**  
**Matsubara**

(10) **Patent No.:** **US D708,237 S**  
(45) **Date of Patent:** **\*\* Jul. 1, 2014**

(54) **CUTTING INSERT**

(71) Applicant: **Sumitomo Electric Hardmetal Corp.,**  
Itami (JP)

(72) Inventor: **Kouki Matsubara,** Itami (JP)

(73) Assignee: **Sumitomo Electric Hardmetal Corp.,**  
Itami-shi (JP)

(\*\*) Term: **14 Years**

(21) Appl. No.: **29/448,054**

(22) Filed: **Mar. 8, 2013**

(30) **Foreign Application Priority Data**

Sep. 10, 2012 (JP) ..... 2012-021716  
Sep. 10, 2012 (JP) ..... 2012-021717

(51) **LOC (10) Cl.** ..... **15-09**

(52) **U.S. Cl.**  
USPC ..... **D15/139**

(58) **Field of Classification Search**  
USPC ..... D8/70, 71; D15/131, 138, 139, 140;  
407/35, 42, 112-119

See application file for complete search history.

(56) **References Cited**

U.S. PATENT DOCUMENTS

D372,486 S \* 8/1996 Morris ..... D15/140  
D442,191 S \* 5/2001 Alexander, IV ..... D15/139  
D445,809 S \* 7/2001 Alexander, IV ..... D15/139  
D445,810 S \* 7/2001 Alexander, IV ..... D15/139

\* cited by examiner

*Primary Examiner* — Patricia Palasik

(74) *Attorney, Agent, or Firm* — Venable LLP; Michael A. Sartori; Tamatane J. Aga

(57) **CLAIM**

The ornamental design for a cutting insert, as shown and described.

**DESCRIPTION**

FIG. 1 is a perspective view of the front, top and right side of a cutting insert according to a first embodiment showing my new design;

FIG. 2 is a front view thereof;

FIG. 3 is a top view thereof;

FIG. 4 is a bottom view thereof;

FIG. 5 is a cross-sectional view thereof along line 5-5 of FIG. 2;

FIG. 6 is a cross-sectional view thereof along line 6-6 of FIG. 3;

FIG. 7 is a reference view showing the usage thereof; and,

FIG. 8 is a reference view showing the usage thereof.

The portions of the article in broken lines are shown for illustrative purposes only and form no part of the claimed design.

**1 Claim, 6 Drawing Sheets**

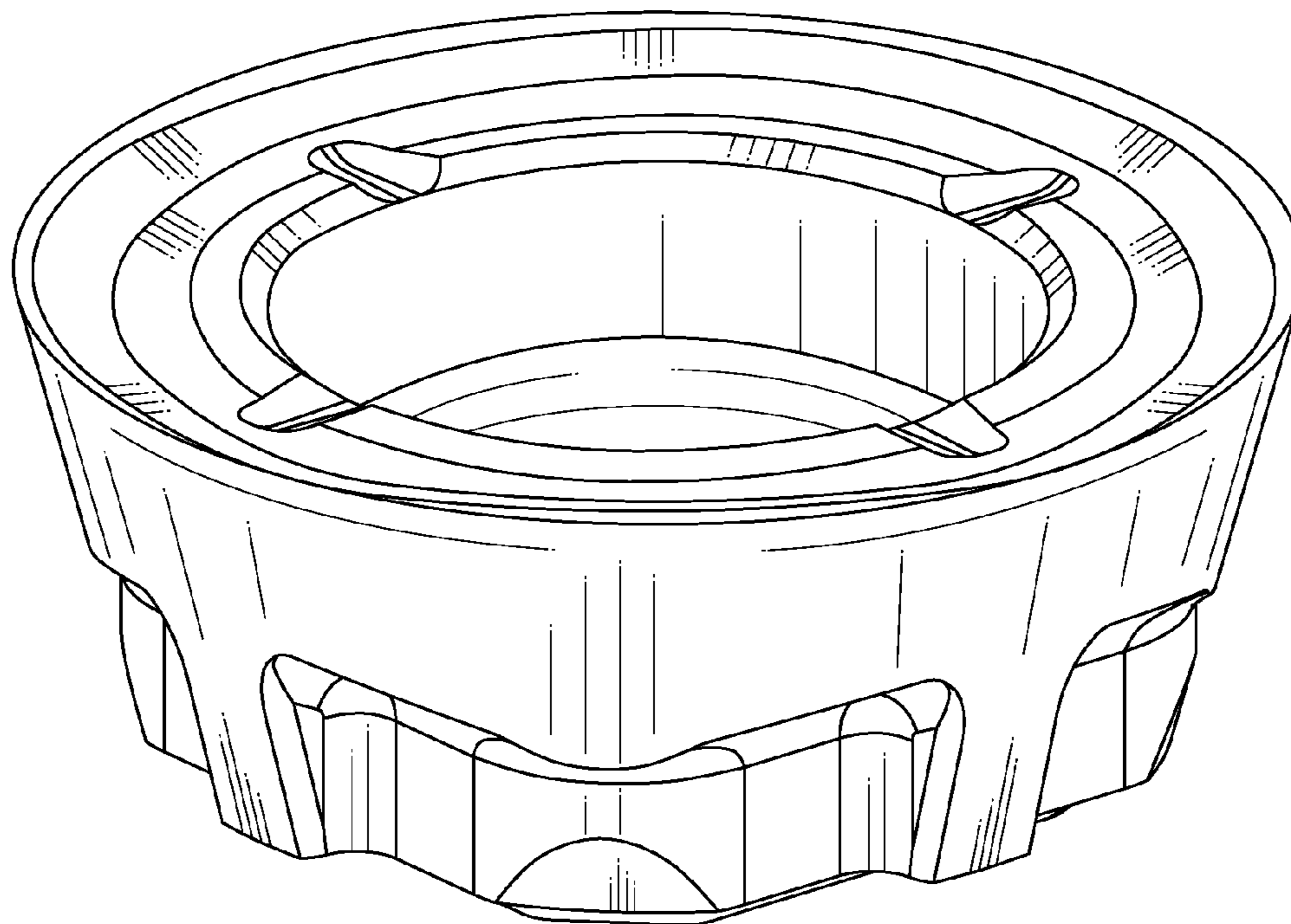


Fig. 1

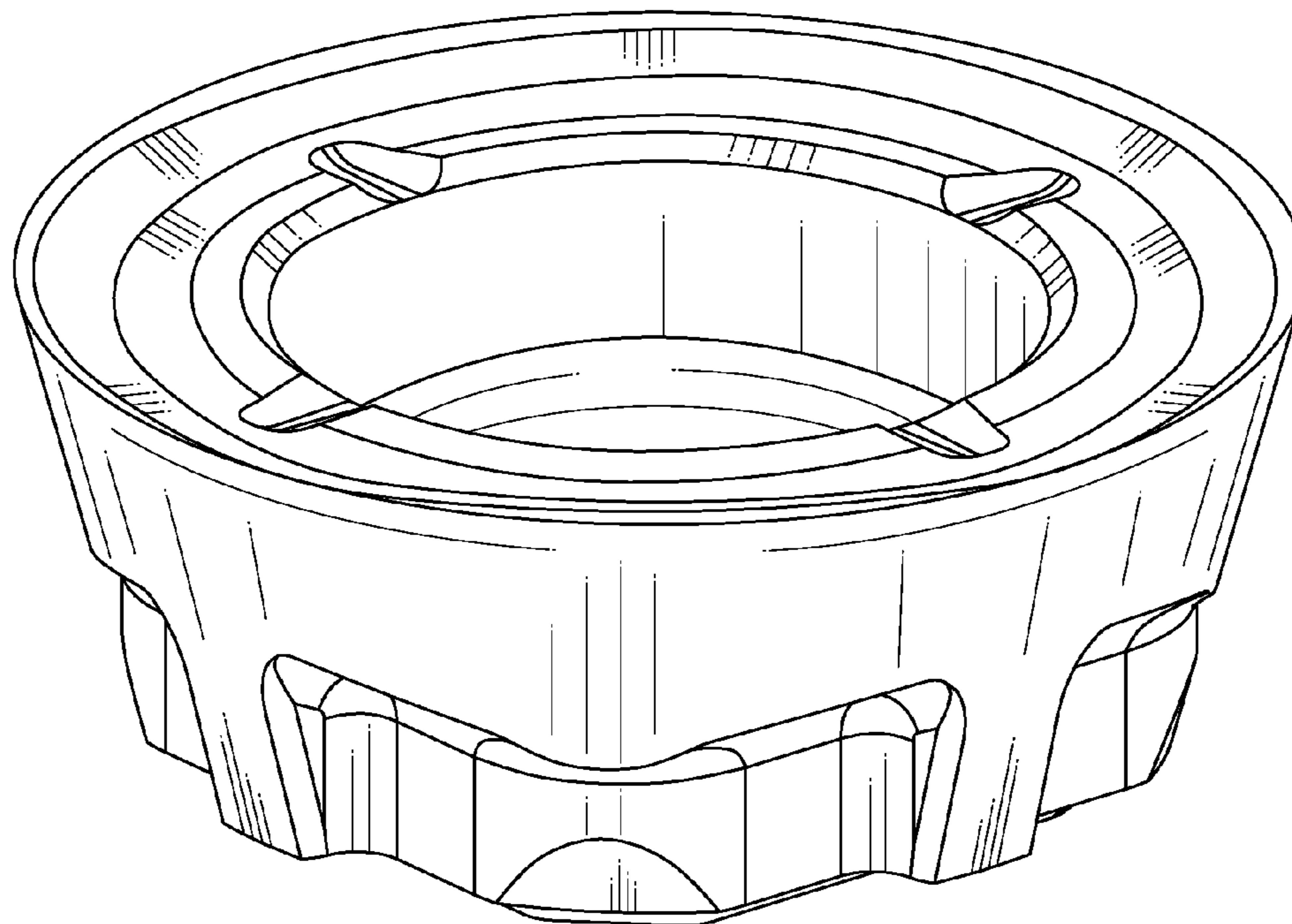


Fig. 2

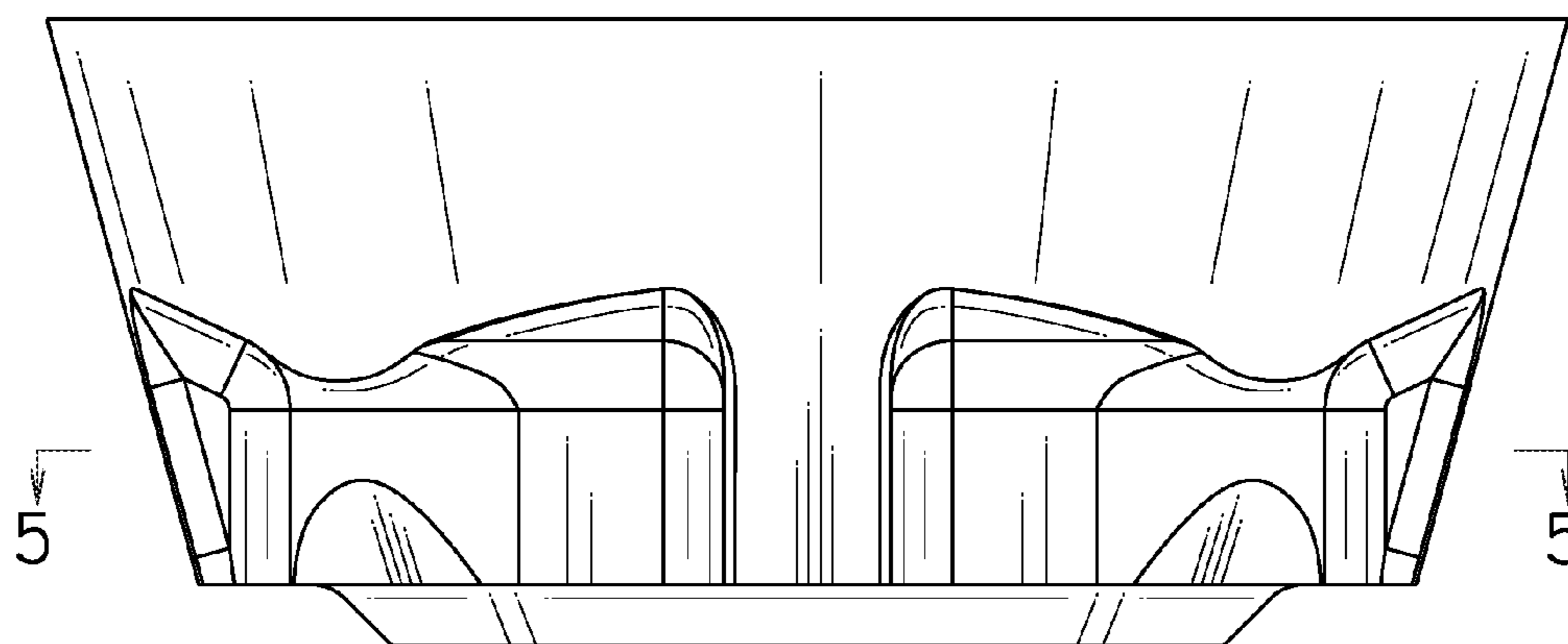


Fig. 3

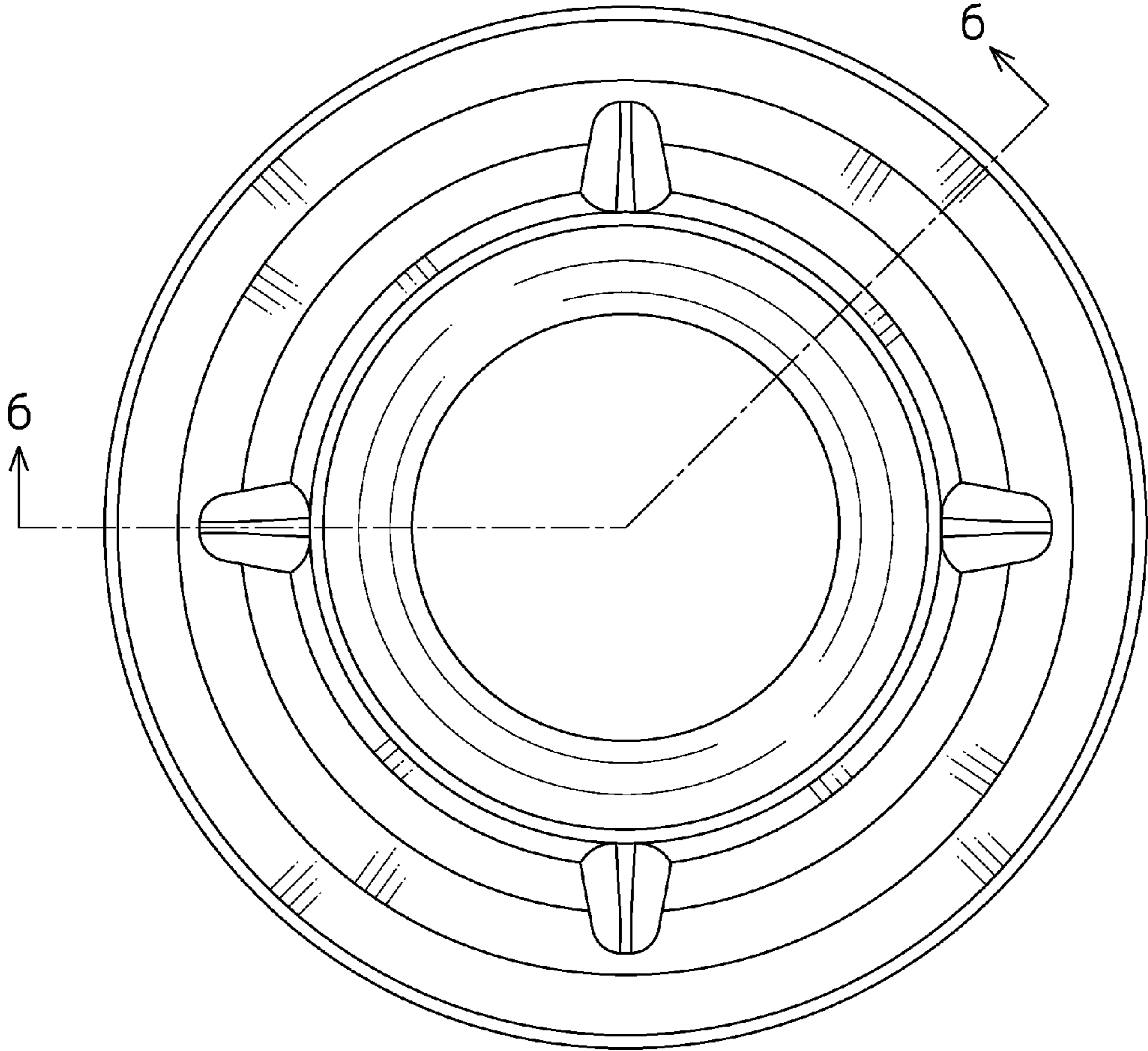


Fig. 4

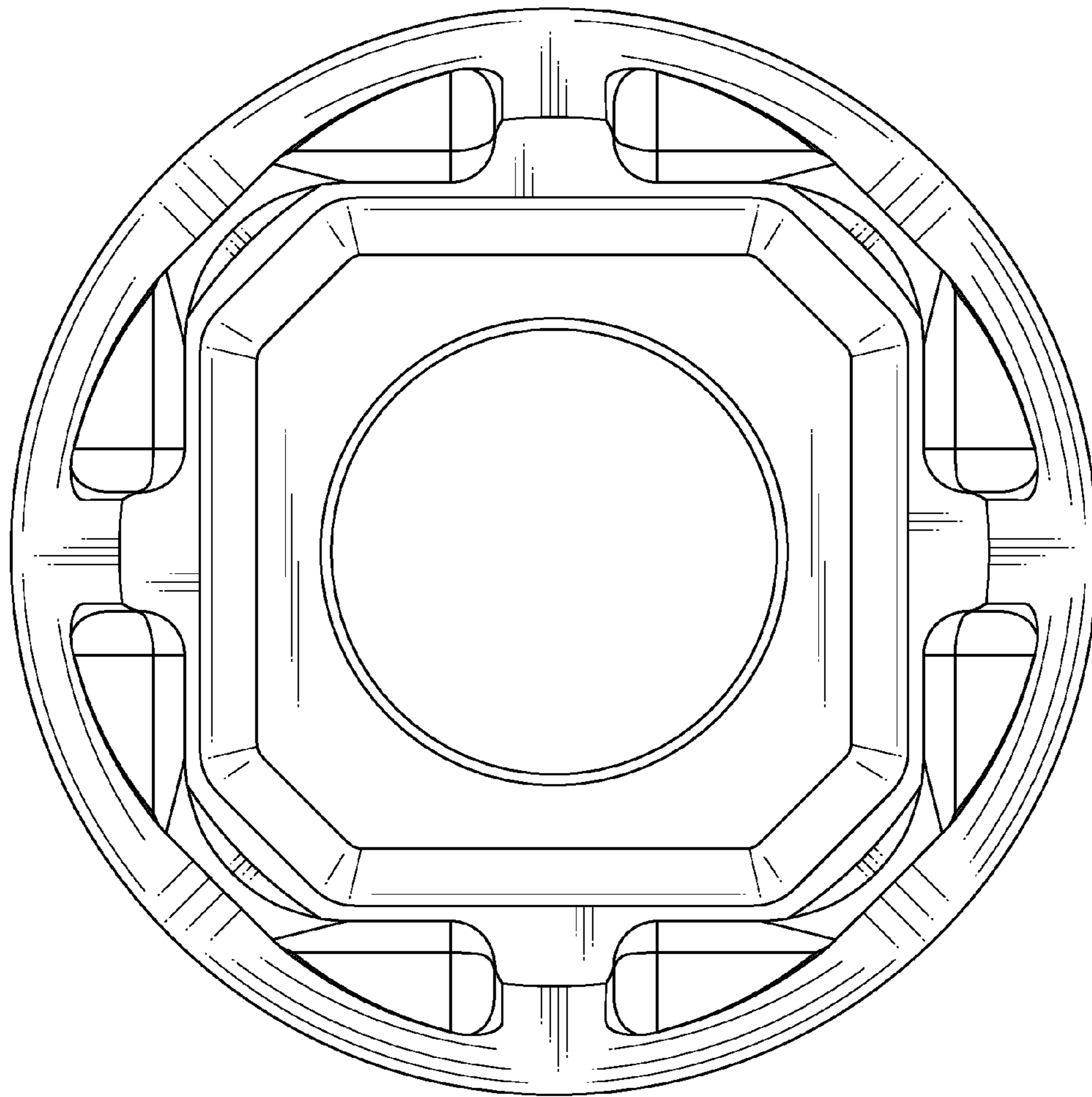


Fig. 5

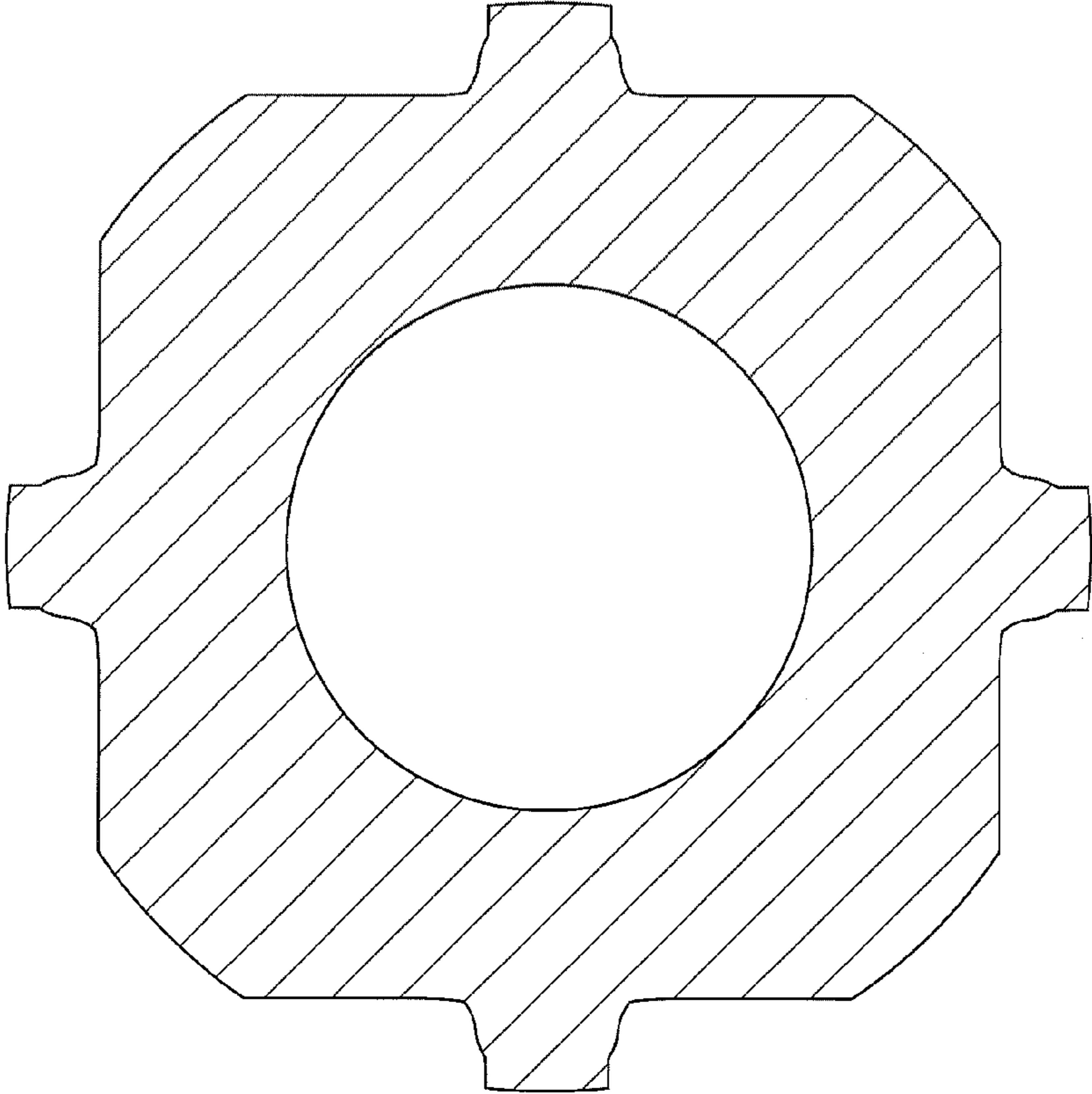


Fig. 6

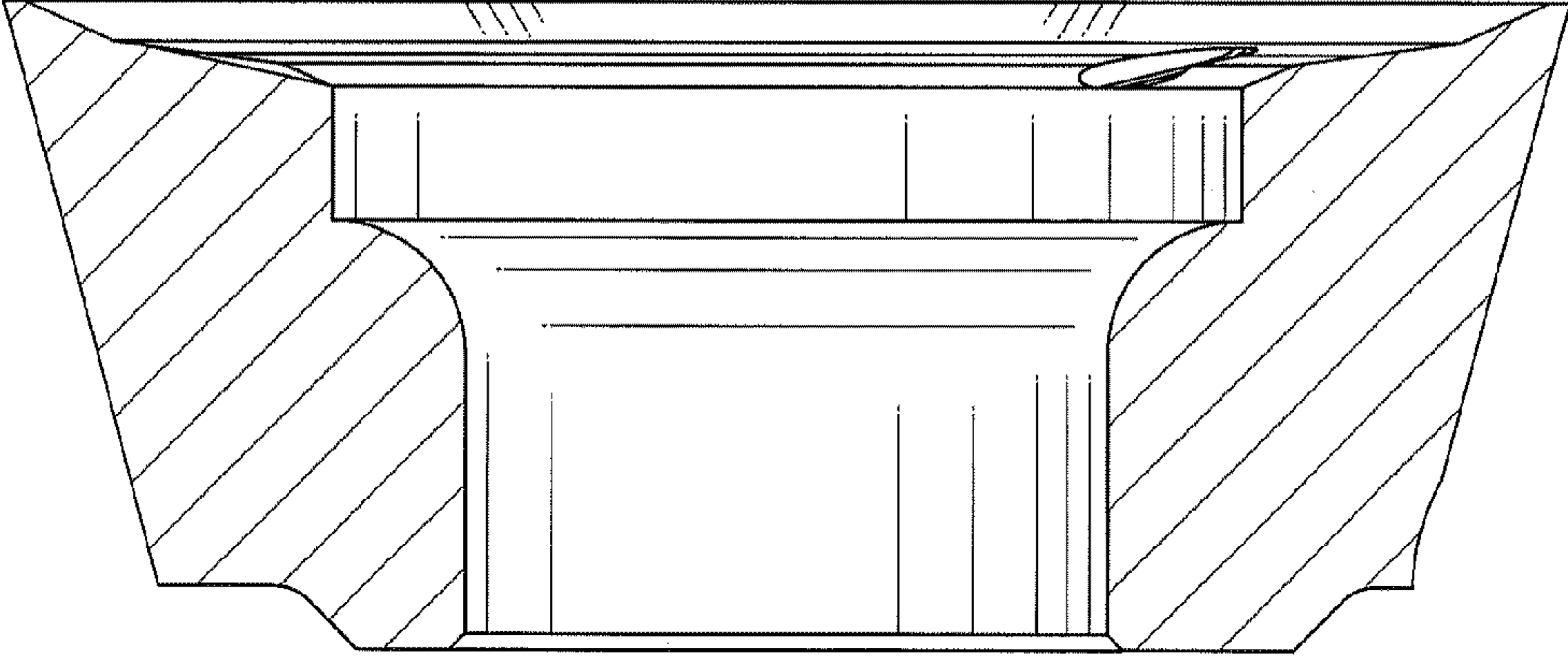


Fig. 7

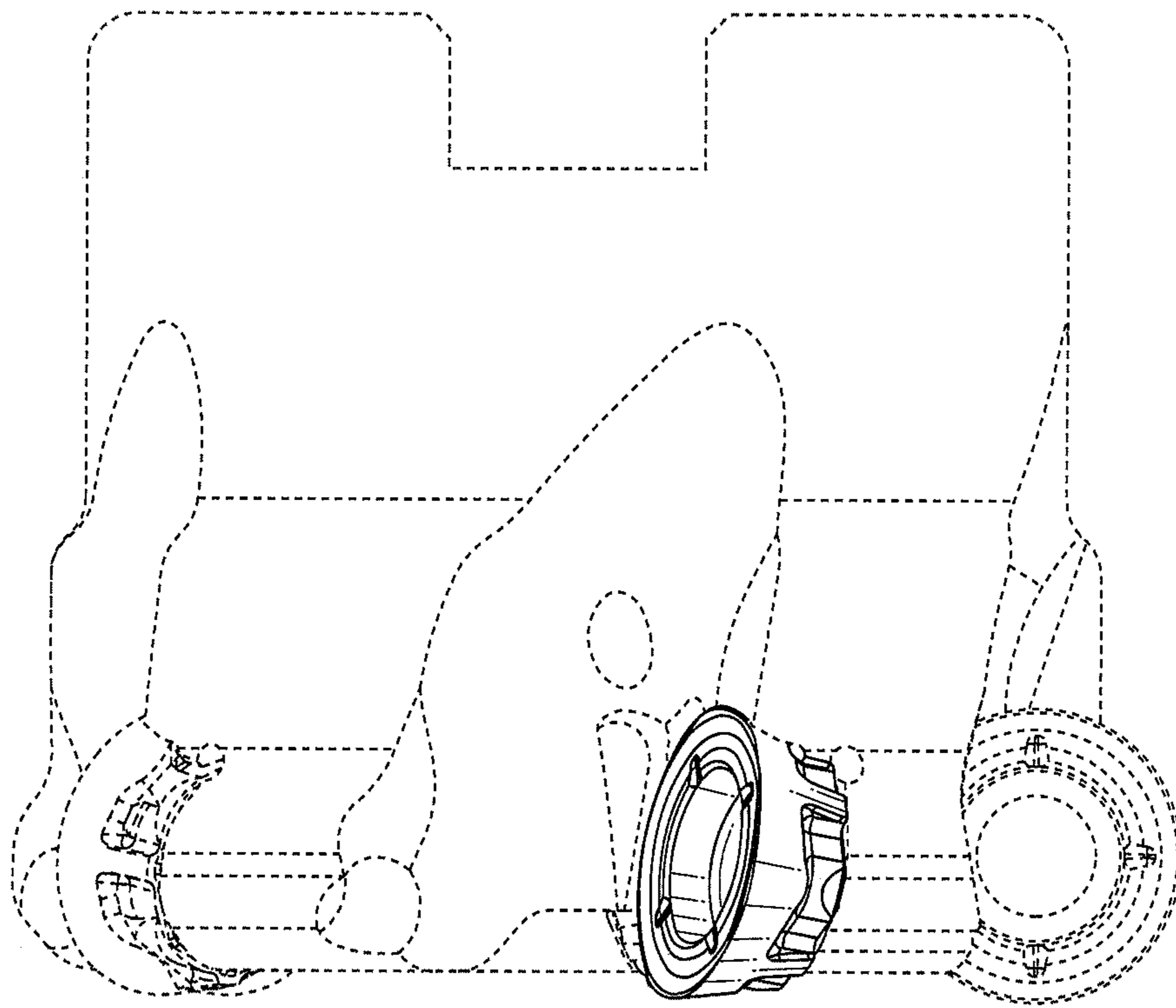


Fig. 8

