



US00D708235S

(12) **United States Design Patent**
Wiand et al.

(10) **Patent No.:** **US D708,235 S**
(45) **Date of Patent:** **** Jul. 1, 2014**

- (54) **SEGMENTED PROFILED WHEEL**
- (75) Inventors: **Ronald C. Wiand**, Troy, MI (US);
Bruce C. Baker, Troy, MI (US)
- (73) Assignee: **Inland Diamond Products Company**,
Madison heights, MI (US)
- (**) Term: **14 Years**
- (21) Appl. No.: **29/374,776**
- (22) Filed: **Oct. 4, 2011**
- (51) **LOC (10) Cl.** **15-09**
- (52) **U.S. Cl.**
USPC **D15/126**
- (58) **Field of Classification Search**
USPC D8/61, 64, 66, 70, 71; D15/126, 133,
D15/138, 139; 30/351, 355, 356;
83/846-855; 125/15, 18
See application file for complete search history.

D466,139	S *	11/2002	Kim et al.	D15/139
6,626,167	B2 *	9/2003	Kim et al.	125/15
6,641,473	B2 *	11/2003	Nakagawa et al.	451/542
7,694,422	B2 *	4/2010	Vaes	30/162
7,695,353	B2 *	4/2010	Moroto et al.	451/541
8,182,318	B2 *	5/2012	Soma et al.	451/542
2001/0018324	A1 *	8/2001	Ito	451/542
2002/0119742	A1 *	8/2002	Nakagawa et al.	451/542
2003/0153257	A1 *	8/2003	Nonogawa et al.	451/542
2013/0183891	A1 *	7/2013	Gosamo et al.	451/540
2013/0217315	A1 *	8/2013	Wiand et al.	451/541

* cited by examiner

Primary Examiner — Patricia Palasik
(74) *Attorney, Agent, or Firm* — Warn Partners, P.C.

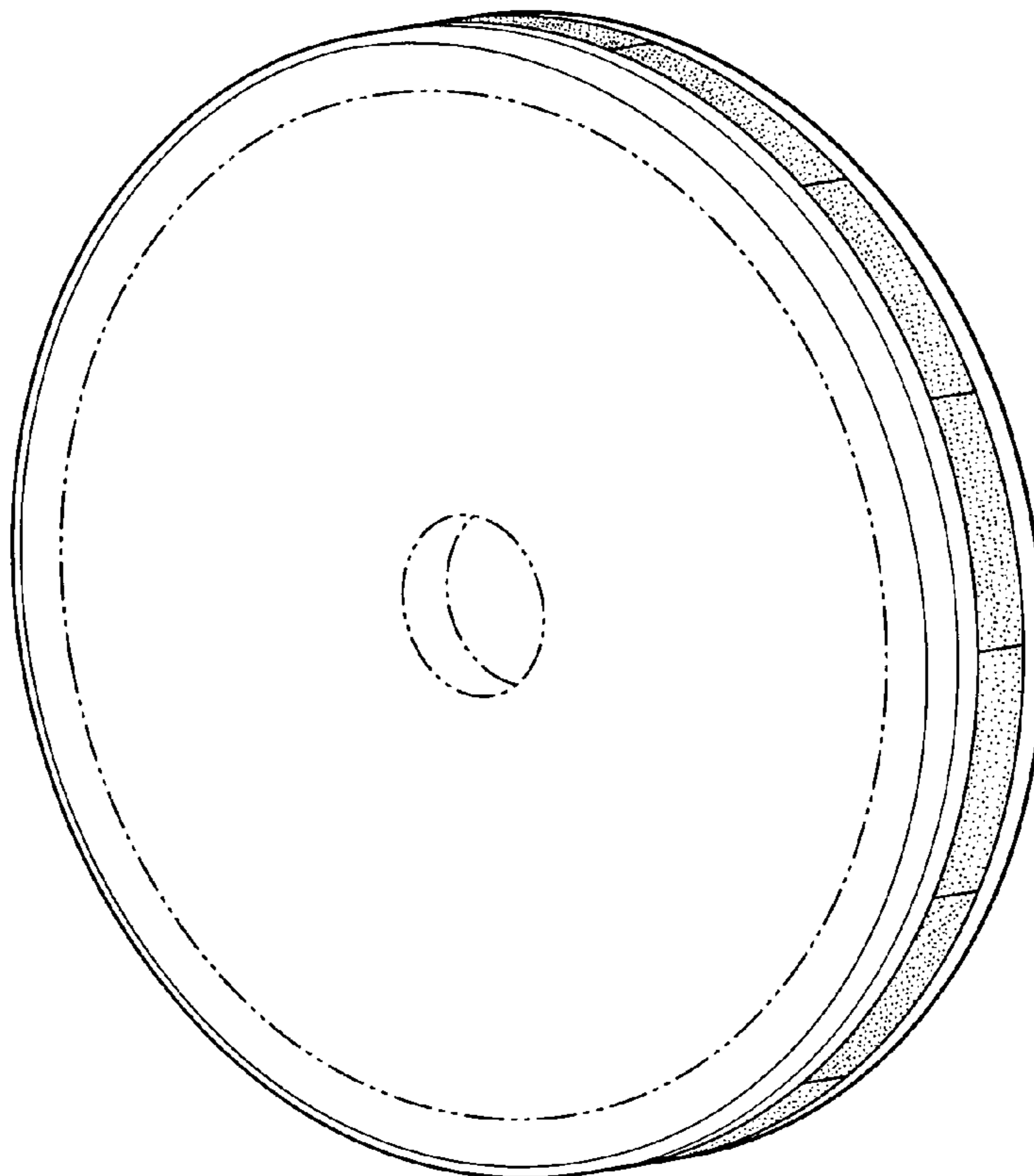
(57) **CLAIM**
The ornamental design for a segmented profiled wheel, as shown and described.

DESCRIPTION

FIG. 1 is a perspective view of a segmented profiled wheel, in accordance with the present invention;
FIG. 2 is an elevation view of the segmented profiled wheel of FIG. 1; and,
FIG. 3 is a top plan view of the segmented profiled wheel of FIGS. 1-2, in accordance with the present invention.
The broken lines in the figures showing other portions of a segmented profiled wheel are for illustrative purposes only and form no part of the claimed ornamental design.

1 Claim, 2 Drawing Sheets

- (56) **References Cited**
U.S. PATENT DOCUMENTS
4,212,137 A * 7/1980 Rue 451/542
D275,570 S * 9/1984 Siden D15/126
5,492,498 A * 2/1996 Casillas et al. 451/496
6,033,295 A * 3/2000 Fisher et al. 451/540



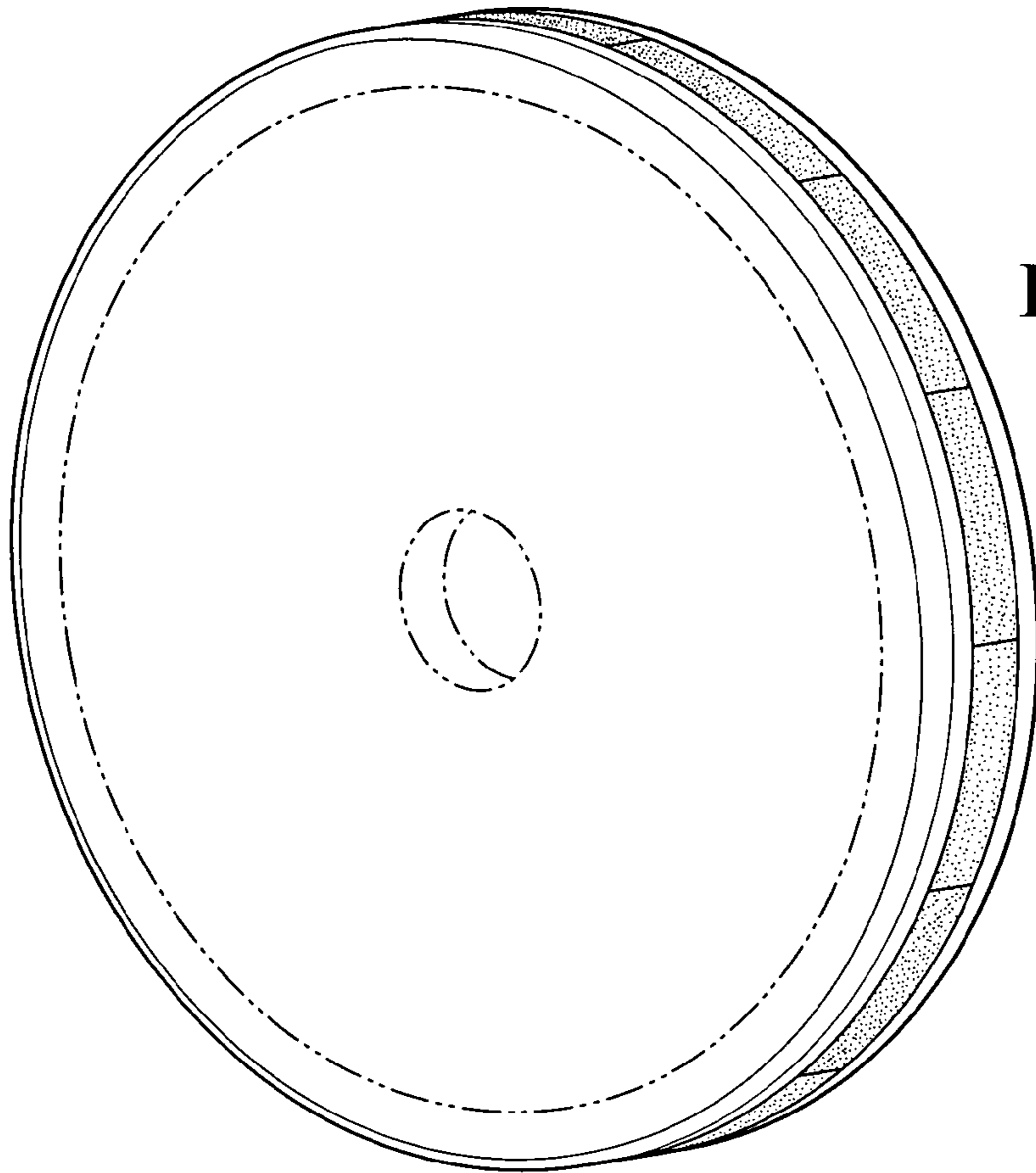


FIG. 1

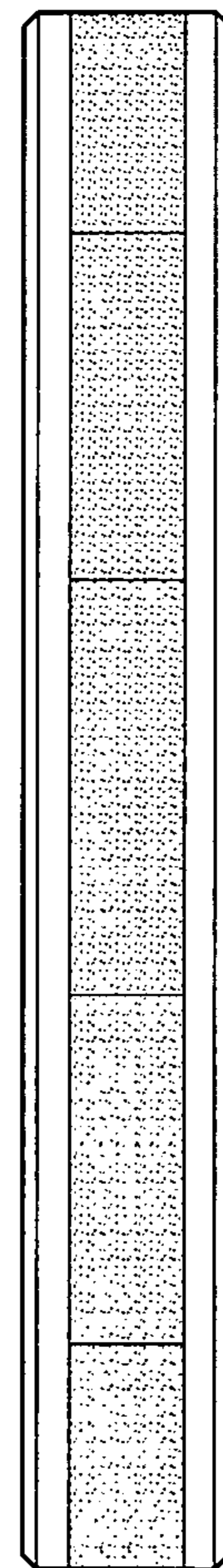


FIG. 3

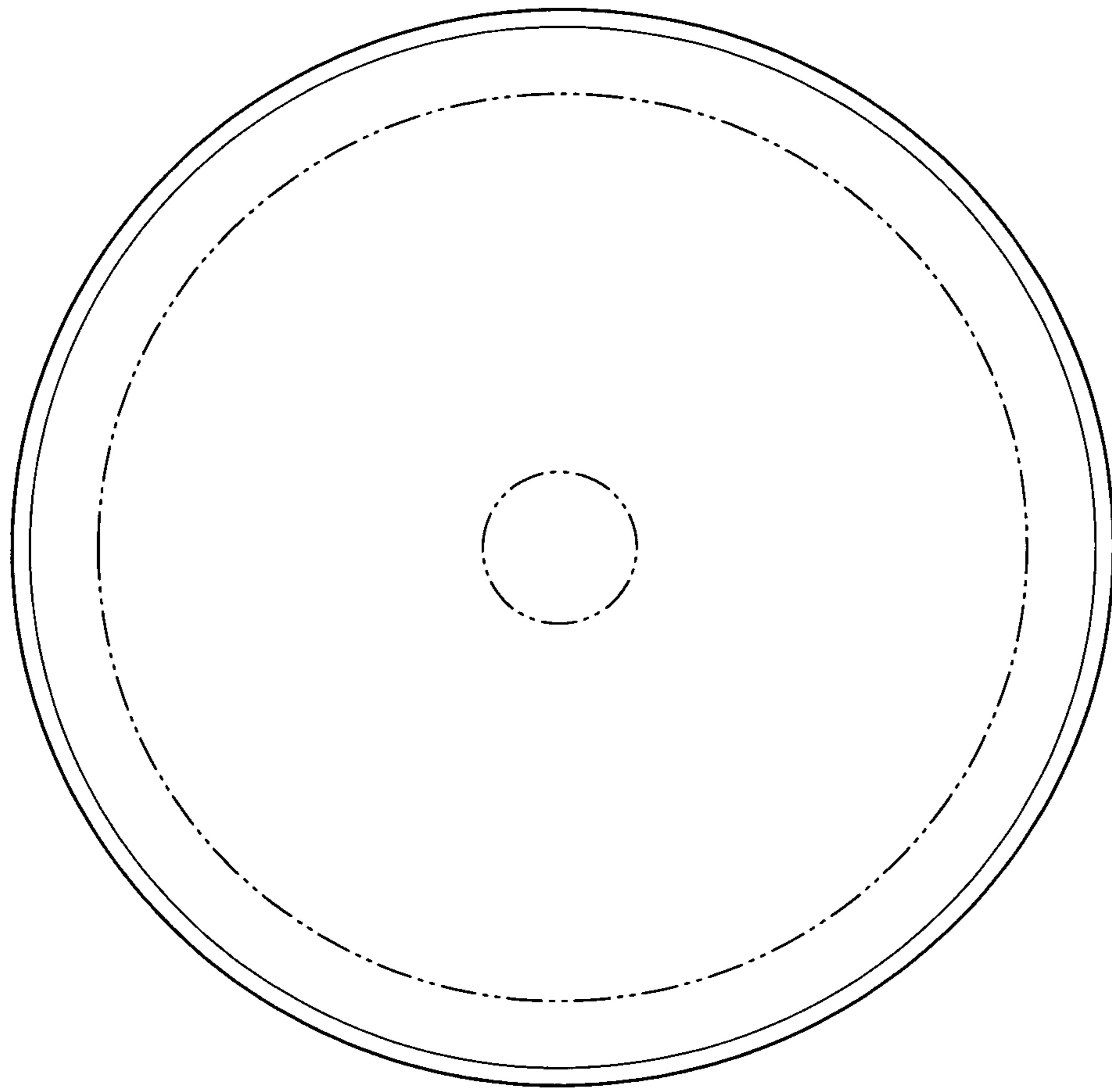


FIG. 2