



US00D708228S

(12) **United States Design Patent**
Fustino et al.

(10) **Patent No.:** **US D708,228 S**
(45) **Date of Patent:** **** Jul. 1, 2014**

- (54) **PORTABLE AUDIO SYSTEM**
- (71) Applicants: **David J. Fustino**, Framingham, MA (US); **Richard J. Carbone**, Sterling, MA (US)
- (72) Inventors: **David J. Fustino**, Framingham, MA (US); **Richard J. Carbone**, Sterling, MA (US)
- (73) Assignee: **Bose Corporation**, Framingham, MA (US)
- (**) Term: **14 Years**
- (21) Appl. No.: **29/455,310**
- (22) Filed: **May 20, 2013**
- (51) **LOC (10) Cl.** **14-03**
- (52) **U.S. Cl.**
USPC **D14/496; D14/203.1**
- (58) **Field of Classification Search**
USPC D14/496, 401, 435, 474, 483, 217, 137, D14/138, 160, 168, 356, 203.1-203.8, 507; 345/156, 169, 173-179, 905; 715/727-729, 864; 710/1, 5, 8; 713/1, 713/600; 455/1.1, 1.7, 73, 344-347, 93, 95, 455/3.01-3.06, 550.1, 573.1; 370/342-344; 369/1, 2, 6-12; 463/43-47; 273/148 B
See application file for complete search history.

5,867,774 A *	2/1999	Summers et al.	455/575.1
6,328,570 B1 *	12/2001	Ng	434/307 A
7,090,582 B2 *	8/2006	Danieli et al.	463/35
D551,679 S *	9/2007	Hayes	D14/496
D558,788 S *	1/2008	Yu et al.	D14/496
D571,822 S *	6/2008	Madonna et al.	D14/496
D596,196 S *	7/2009	Laituri et al.	D14/496
D600,251 S *	9/2009	Poandl	D14/496
D614,200 S *	4/2010	Skurdal	D14/496
D618,252 S *	6/2010	Bradford et al.	D14/496
D648,743 S *	11/2011	Chang	D14/496

* cited by examiner

Primary Examiner — Prabhakar Deshmukh

(74) *Attorney, Agent, or Firm* — Bose Corporation

(57) **CLAIM**

The ornamental design for a portable audio system, substantially as shown and described.

DESCRIPTION

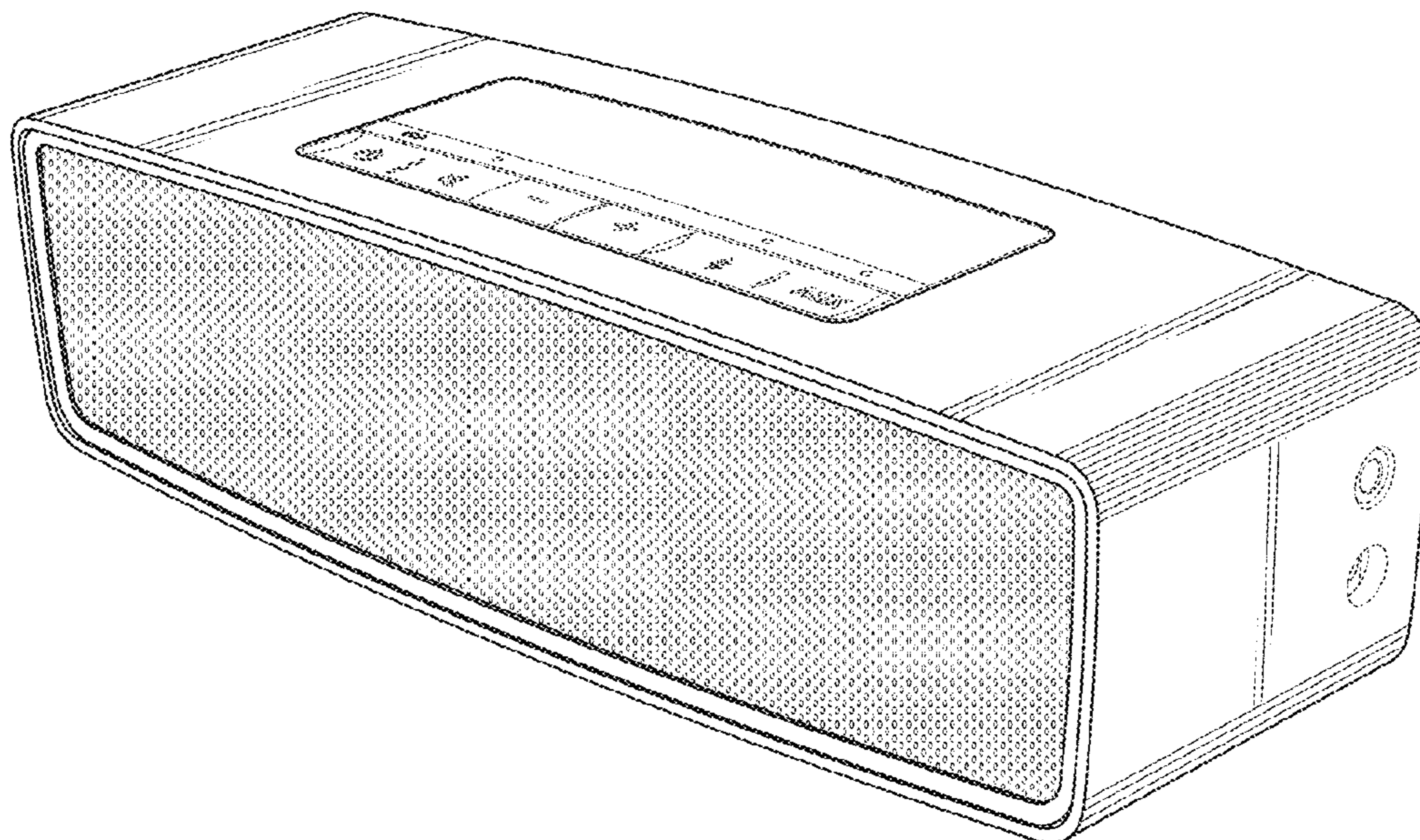
FIG. 1 is a perspective view of a portable audio system as seen from the front, top and side;
 FIG. 2 is a perspective view thereof as seen from the back, bottom and opposite side;
 FIG. 3 is a front view thereof;
 FIG. 4 is a back view thereof;
 FIG. 5 is a top view thereof;
 FIG. 6 is a bottom view thereof;
 FIG. 7 is a side view thereof; and,
 FIG. 8 is an opposite side view thereof.
 The dotted line portions of the drawings represent environmental structure only and form no part of the claimed design.

1 Claim, 7 Drawing Sheets

(56) **References Cited**

U.S. PATENT DOCUMENTS

4,676,619 A *	6/1987	Woolley	396/432
5,471,659 A *	11/1995	Wong	455/132



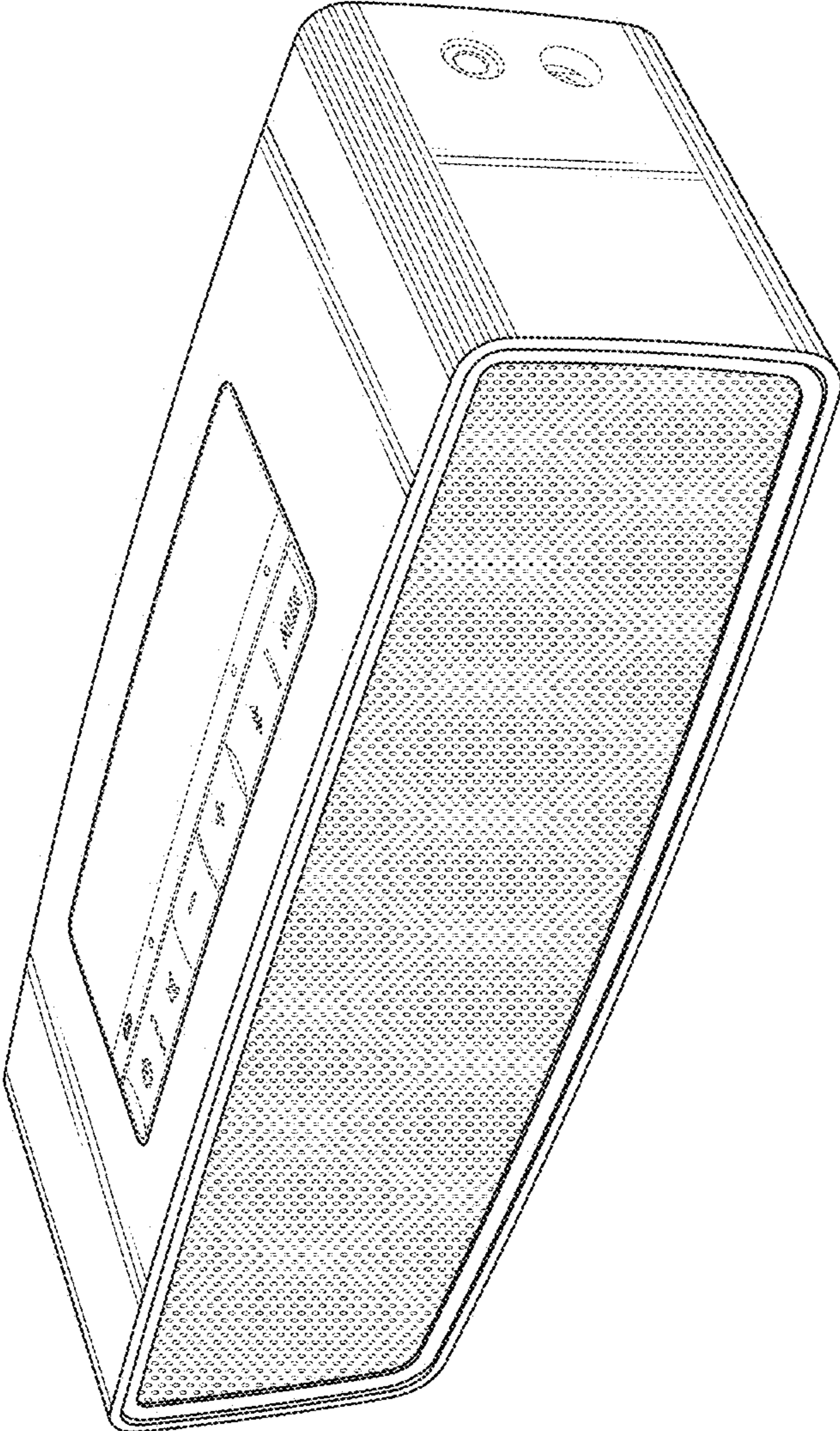


FIG. 1

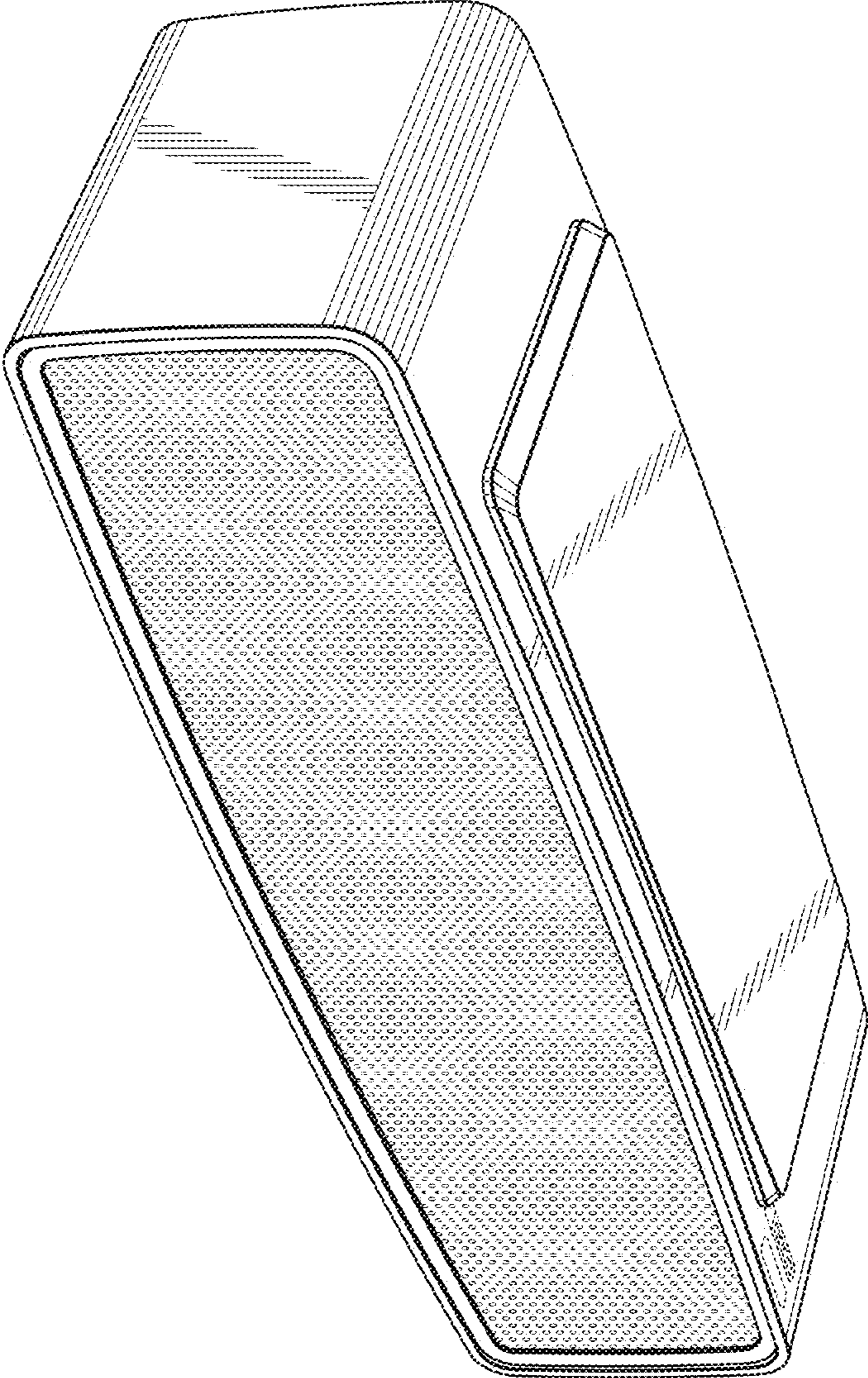


FIG. 2

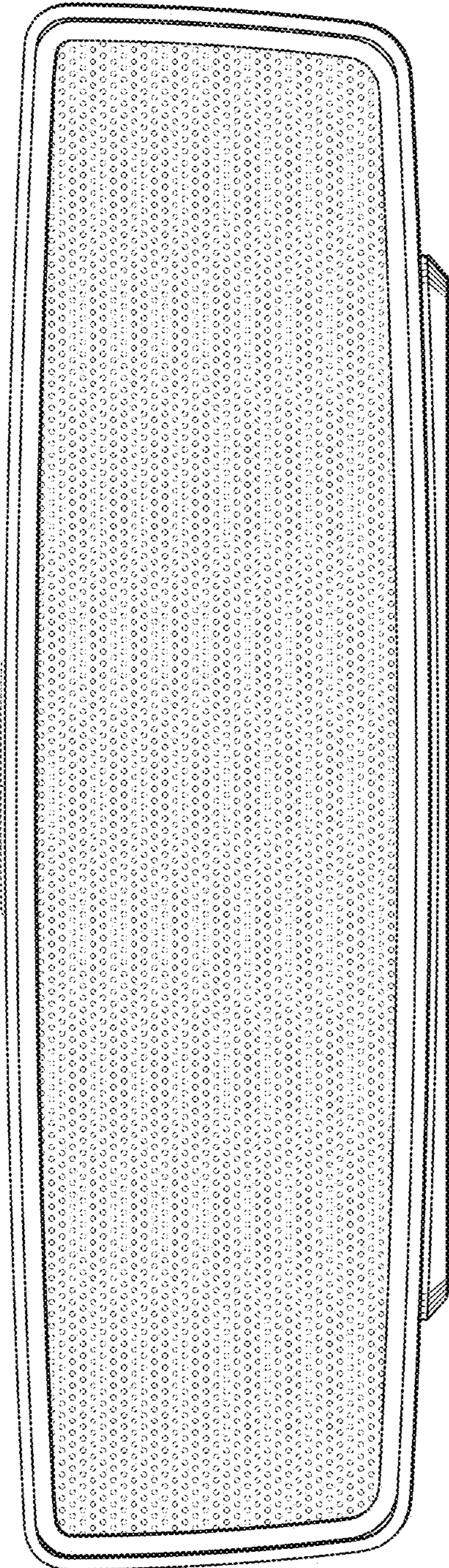


FIG. 3

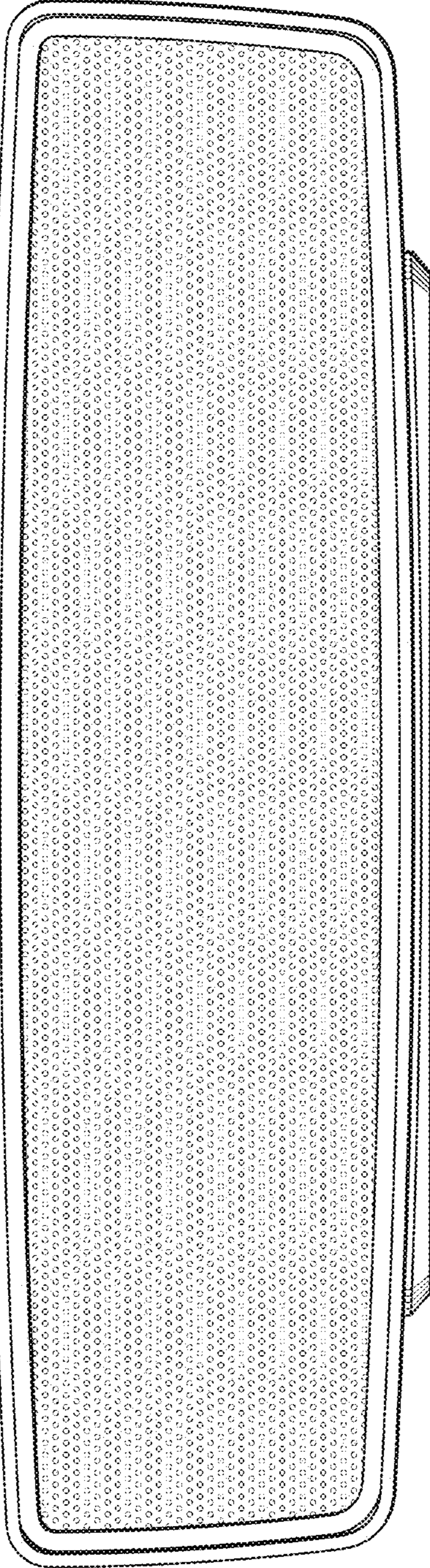


FIG. 4

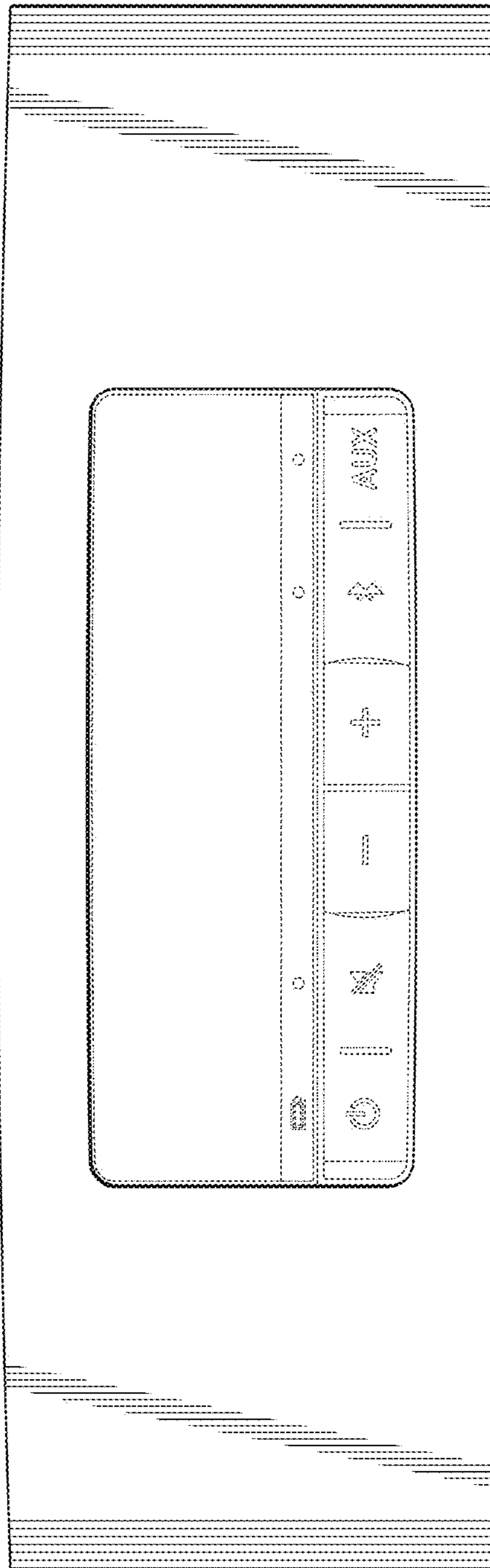


FIG. 5

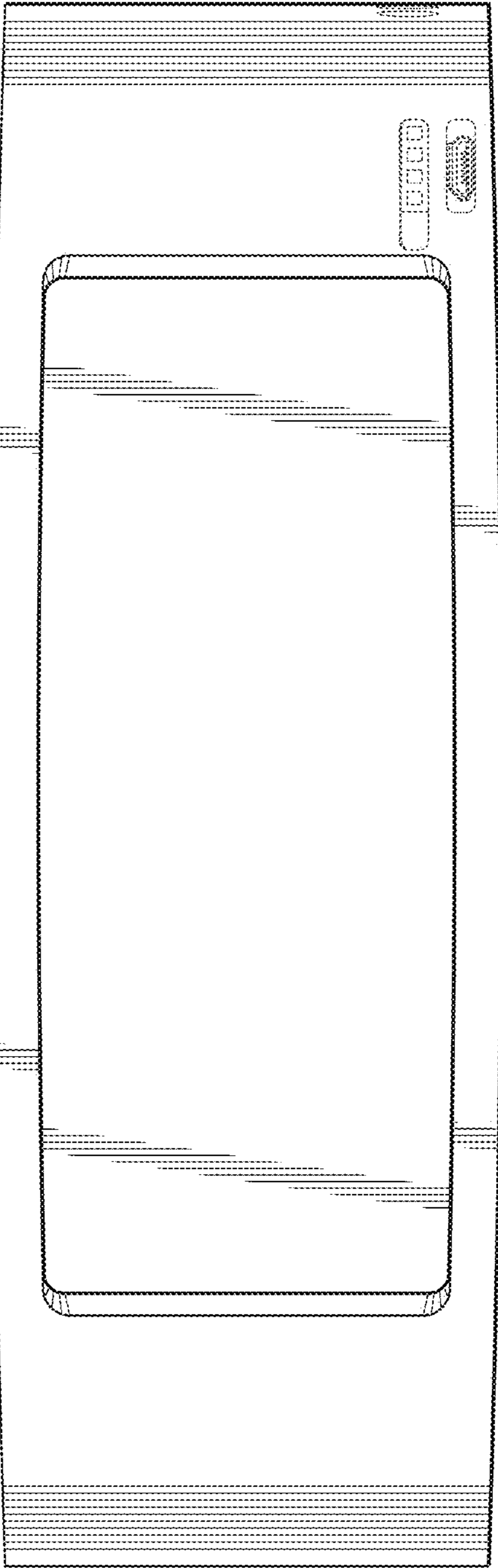


FIG. 6

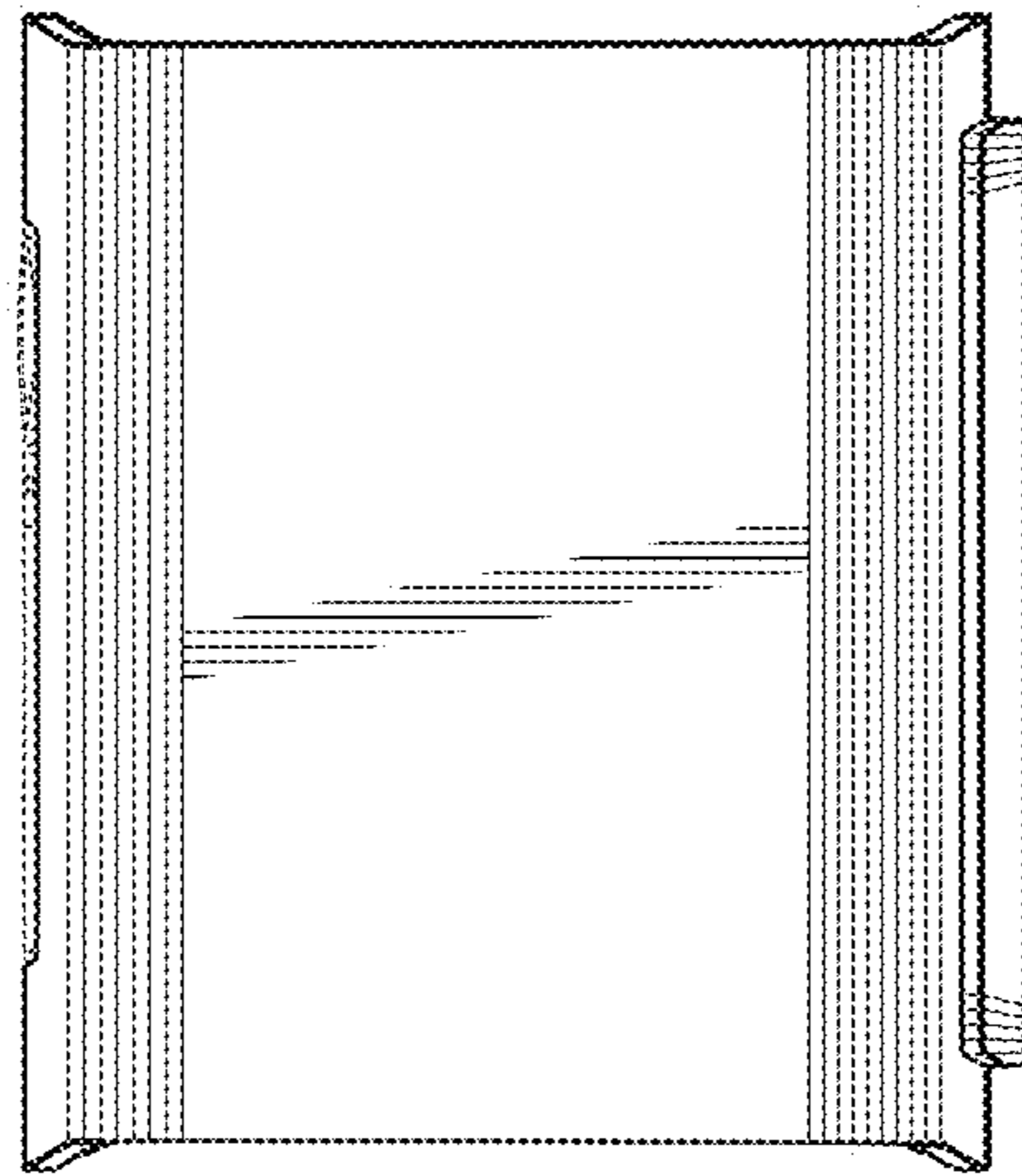


FIG. 8

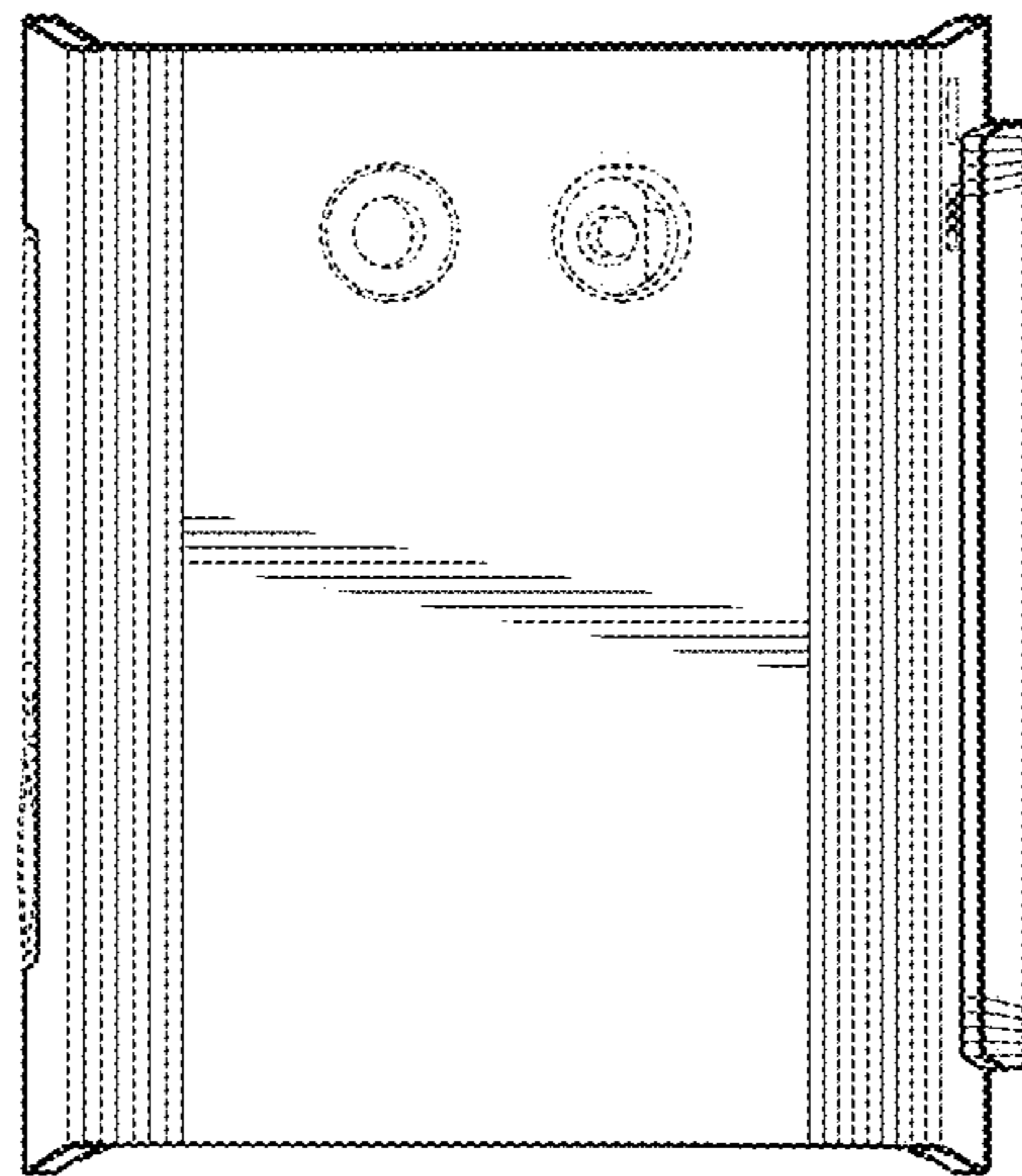


FIG. 7

UNITED STATES PATENT AND TRADEMARK OFFICE
CERTIFICATE OF CORRECTION

PATENT NO. : D708,228 S
APPLICATION NO. : 29/455310
DATED : July 1, 2014
INVENTOR(S) : David J. Fustino et al.

Page 1 of 1

It is certified that error appears in the above-identified patent and that said Letters Patent is hereby corrected as shown below:

Title Page, item (71), Applicants:

Delete "David J. Fustino, Framingham, MA (US); Richard J. Carbone, Sterling, MA (US)"
and replace with "Bose Corporation, Framingham, MA (US)".

Signed and Sealed this
Twenty-third Day of September, 2014



Michelle K. Lee
Deputy Director of the United States Patent and Trademark Office