



US00D708197S

(12) **United States Design Patent**
Pasceri et al.

(10) **Patent No.:** **US D708,197 S**
(45) **Date of Patent:** **** Jul. 1, 2014**

(54) **DISPLAY SCREEN WITH GRAPHICAL USER INTERFACE**

(75) Inventors: **Vincent J. Pasceri**, Seattle, WA (US);
Diego D. Baca Del Rosario, Seattle, WA (US)

(73) Assignee: **Microsoft Corporation**, Redmond, WA (US)

(**) Term: **14 Years**

(21) Appl. No.: **29/413,990**

(22) Filed: **Feb. 23, 2012**

(51) **LOC (10) Cl.** **14-04**

(52) **U.S. Cl.**
USPC **D14/486**

(58) **Field of Classification Search**
CPC G06F 3/048-3/04897
USPC D14/485-95; D18/24-33; D19/6, 52;
D20/11; D21/324-33; 715/700-867,
715/973-77

See application file for complete search history.

(56) **References Cited**

U.S. PATENT DOCUMENTS

D425,497 S *	5/2000	Eisenberg et al.	D14/487
D428,398 S	7/2000	Coleman	
D496,667 S *	9/2004	Hoglund	D14/489
D499,740 S *	12/2004	Ombao et al.	D14/487
D542,299 S	5/2007	Sadler et al.	
D554,141 S *	10/2007	Armendariz	D14/487
D560,680 S *	1/2008	Armendariz	D14/491
D578,135 S	10/2008	Nathan et al.	
D582,427 S *	12/2008	Neuhaus	D14/491
D593,580 S *	6/2009	Truelove et al.	D14/491
D605,657 S *	12/2009	Danton	D14/487
7,818,687 B2	10/2010	Brouaux	
7,886,234 B2	2/2011	Shih et al.	
D633,515 S *	3/2011	Soegiono et al.	D14/487

D633,516 S *	3/2011	Soegiono et al.	D14/487
D636,398 S	4/2011	Matas	
D640,274 S	6/2011	Arnold	
D648,735 S	11/2011	Arnold et al.	
D655,303 S	3/2012	Shallcross et al.	
D655,719 S *	3/2012	Zaman et al.	D14/486
8,146,077 B2	3/2012	McNally et al.	
D658,674 S	5/2012	Shallcross et al.	
D665,405 S *	8/2012	Williams et al.	D14/487
D665,406 S *	8/2012	Williams et al.	D14/487
D665,407 S *	8/2012	Bitran et al.	D14/487
8,321,804 B2	11/2012	Castelli et al.	
D676,865 S *	2/2013	Phelan	D14/487
D677,680 S *	3/2013	Edwards et al.	D14/485
D677,690 S *	3/2013	Phelan	D14/487
D678,301 S *	3/2013	Esterly	D14/485
8,407,621 B1	3/2013	George et al.	
D679,287 S	4/2013	Root et al.	
D679,720 S	4/2013	Root et al.	
8,411,112 B1	4/2013	Ainslie et al.	
D683,747 S *	6/2013	Carpenter et al.	D14/487
D683,755 S *	6/2013	Phelan	D14/489
D684,161 S *	6/2013	Truelove et al.	D14/485

(Continued)

Primary Examiner — Melanie H Tung

(74) Attorney, Agent, or Firm — Banner & Witcoff, Ltd.

(57) **CLAIM**

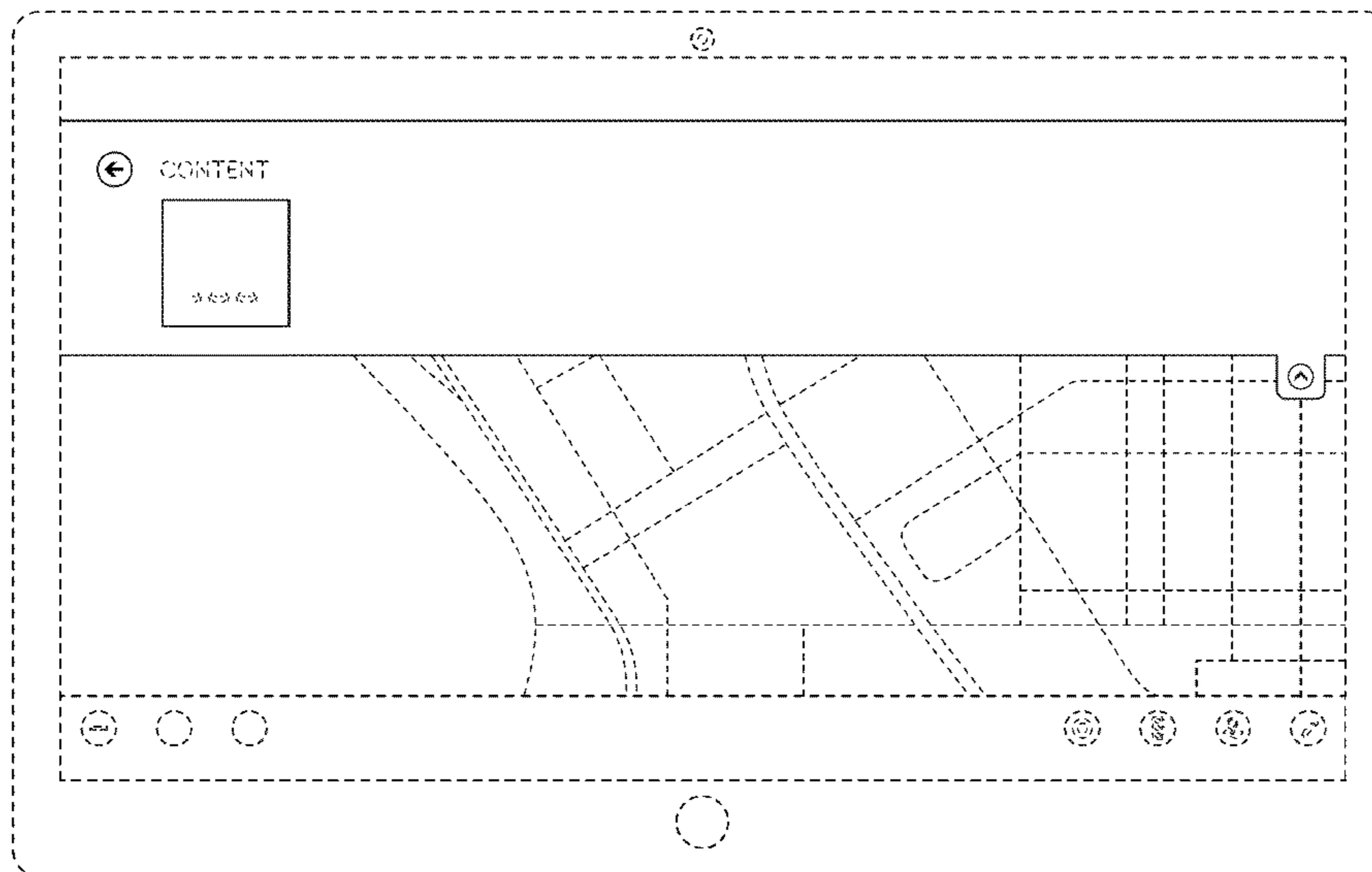
The ornamental design for a display screen with graphical user interface, as shown and described.

DESCRIPTION

FIG. 1 is a front view of a display screen with graphical user interface showing the new design; and, FIG. 2 is a front view of a display screen with graphical user interface showing an alternative embodiment of the new design.

The broken line showing of the text, circles, line elements, and the display screen is for environmental purposes only and forms no part of the claimed design.

1 Claim, 2 Drawing Sheets



(56)

References Cited

U.S. PATENT DOCUMENTS

D684,179 S *	6/2013	Carpenter et al.	D14/487	2011/0191711 A1	8/2011	Gill et al.
D684,182 S *	6/2013	Phelan	D14/489	2011/0214091 A1	9/2011	Nicol et al.
8,458,618 B2	6/2013	Nezu et al.		2011/0219328 A1	9/2011	Ivessalmi et al.
2004/0135809 A1 *	7/2004	Lehman	345/767	2011/0252298 A1	10/2011	Johlic et al.
2005/0015732 A1	1/2005	Vedula et al.		2011/0258562 A1	10/2011	Zhu et al.
2009/0049408 A1	2/2009	Naaman et al.		2011/0265020 A1	10/2011	Fields et al.
2009/0117921 A1 *	5/2009	Beydler et al.	455/457	2011/0271231 A1	11/2011	Lategan
2009/0132316 A1	5/2009	Florance et al.		2011/0276906 A1	11/2011	Lipstein et al.
2010/0083173 A1	4/2010	Germann et al.		2011/0296507 A1	12/2011	Khosrowshahi et al.
2010/0094659 A1	4/2010	Schoenberg		2011/0307499 A1	12/2011	Elias et al.
2010/0185929 A1	7/2010	Colner		2011/0307804 A1	12/2011	Spierer
2010/0211578 A1	8/2010	Lundberg et al.		2011/0307883 A1	12/2011	Hilerio et al.
2010/0277307 A1	11/2010	Horton et al.		2012/0016763 A1	1/2012	Kirschner
2010/0309148 A1	12/2010	Fleizach et al.		2012/0110511 A1	5/2012	Howard
2011/0113377 A1	5/2011	Lategan		2012/0221978 A1	8/2012	Matas et al.
2011/0145101 A1	6/2011	Berger et al.		2012/0274581 A1	11/2012	Kim
				2013/0057579 A1	3/2013	Castelli et al.
				2013/0124091 A1	5/2013	Matas et al.

* cited by examiner

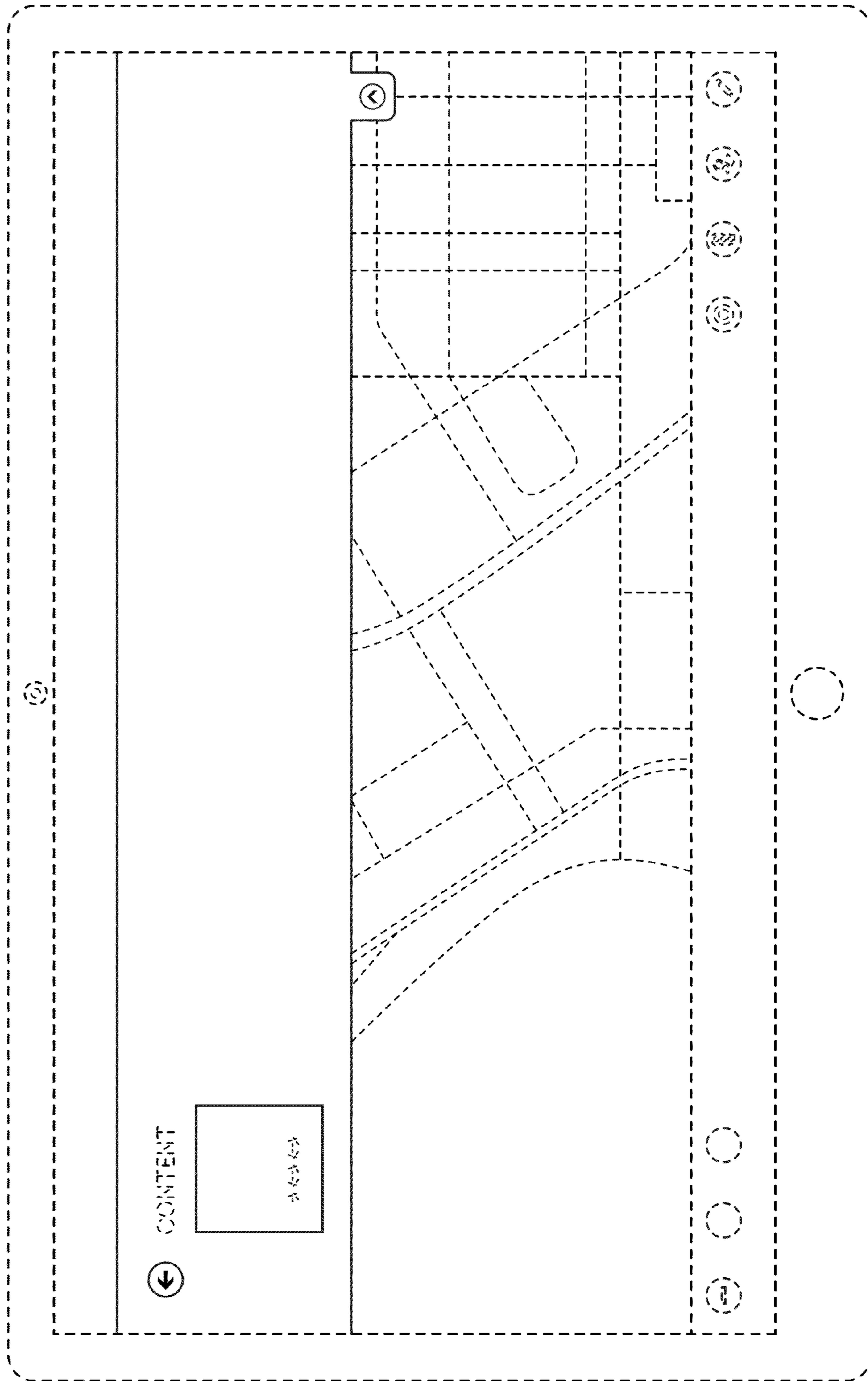


FIG. 1

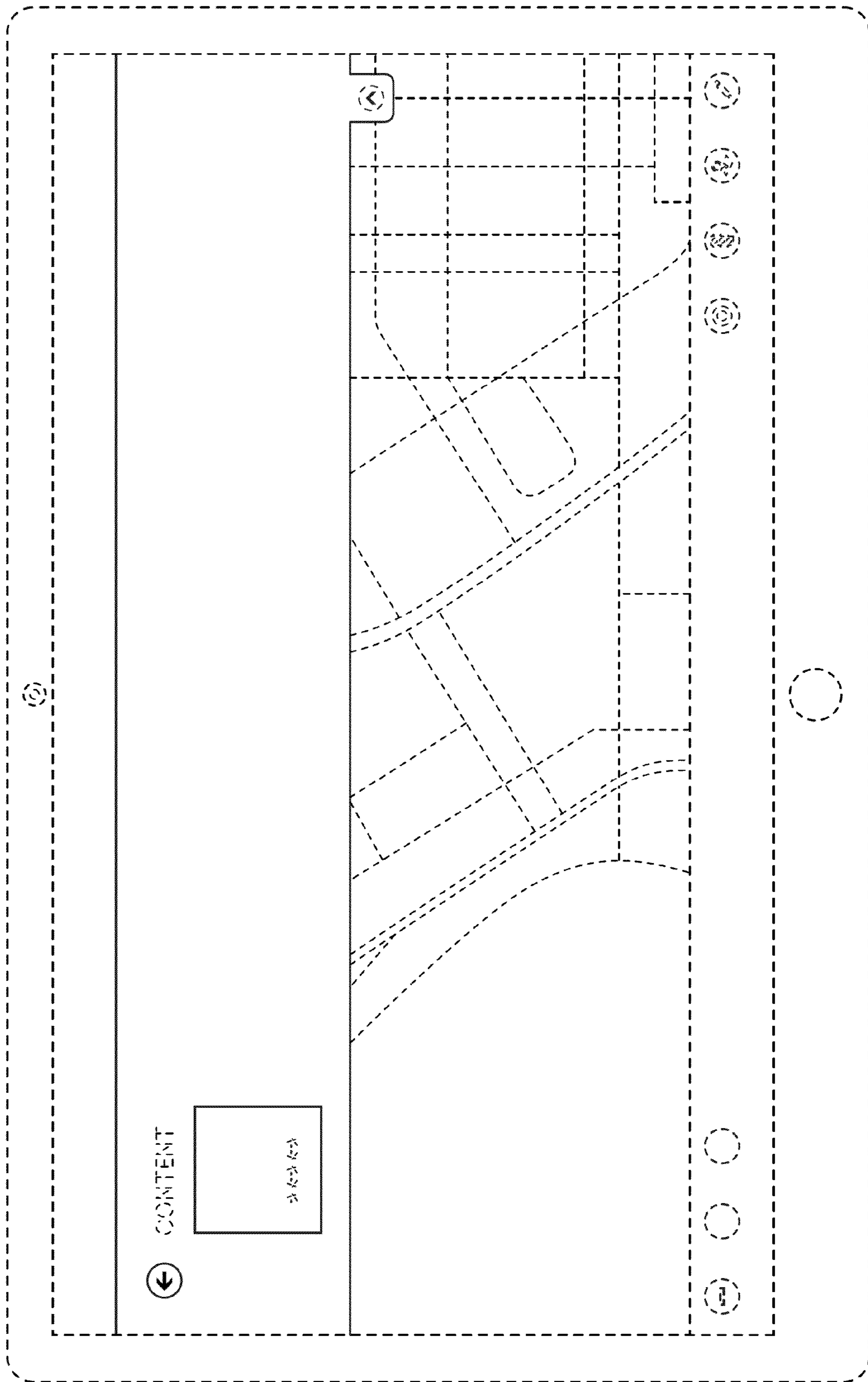


FIG. 2