



US00D708188S

(12) **United States Design Patent**
Erickson et al.

(10) **Patent No.:** **US D708,188 S**
(45) **Date of Patent:** **** Jul. 1, 2014**

- (54) **USB MEMORY DRIVE**
- (71) Applicant: **GW Crystal, Inc.**, Rancho Cucamonga, CA (US)
- (72) Inventors: **Scott Erickson**, Rancho Cucamonga, CA (US); **Peter Gao**, Rancho Cucamonga, CA (US)
- (73) Assignee: **GW Crystal, Inc.**, Rancho Cucamonga, CA (US)

- D601,152 S 9/2009 Moshes et al.
- D604,662 S 11/2009 Bartl
- D610,156 S 2/2010 Mudrick
- D610,157 S 2/2010 Ma
- D610,937 S 3/2010 Meyer
- D611,946 S 3/2010 Wisniewski
- D629,805 S * 12/2010 Nysen et al. D14/433
- D631,054 S 1/2011 Spier
- D632,292 S * 2/2011 Yang et al. D14/385
- D638,001 S * 5/2011 Nakhjiri et al. D14/242

(**) Term: **14 Years**

(21) Appl. No.: **29/455,247**

(22) Filed: **May 17, 2013**

(51) **LOC (10) Cl.** **14-02**

(52) **U.S. Cl.**
USPC **D14/480.1**

(58) **Field of Classification Search**
CPC H05K 5/0278; G06K 19/07732
USPC D14/411, 433, 435.1, 436, 480.1-480.7,
D14/484.1, 137, 155, 203.1-203.8, 240;
D13/133, 154; 710/300-301; 439/131,
439/135-147

See application file for complete search history.

(56) **References Cited**

U.S. PATENT DOCUMENTS

- D448,006 S * 9/2001 Lee D13/133
- D482,694 S * 11/2003 Chen D14/435.1
- D503,011 S 3/2005 Schonbek
- D523,015 S * 6/2006 Loftus D14/480.1
- D525,247 S 7/2006 Rubin et al.
- 7,113,812 B2 * 9/2006 Li 455/575.1
- 7,151,664 B2 * 12/2006 Hosey 361/679.4
- D534,448 S * 1/2007 Shaffer et al. D10/104.1
- D543,202 S 5/2007 Siu
- D548,233 S 8/2007 Loftus
- D553,131 S * 10/2007 Dal Porto et al. D14/480.2
- D592,217 S 5/2009 Chen

(Continued)

OTHER PUBLICATIONS

USB Flash Memory Stick, Eric Beare Associates Ltd., [online], [retrieved on Dec. 14, 2006]. Retrieved from the Internet <URL: http://www.ericbeare.com/public/Theme19/Large_Window.asp?page=1&ProductID=A%2D0160>.*

(Continued)

Primary Examiner — Karen E Kearney
(74) *Attorney, Agent, or Firm* — Brian Billett

(57) **CLAIM**

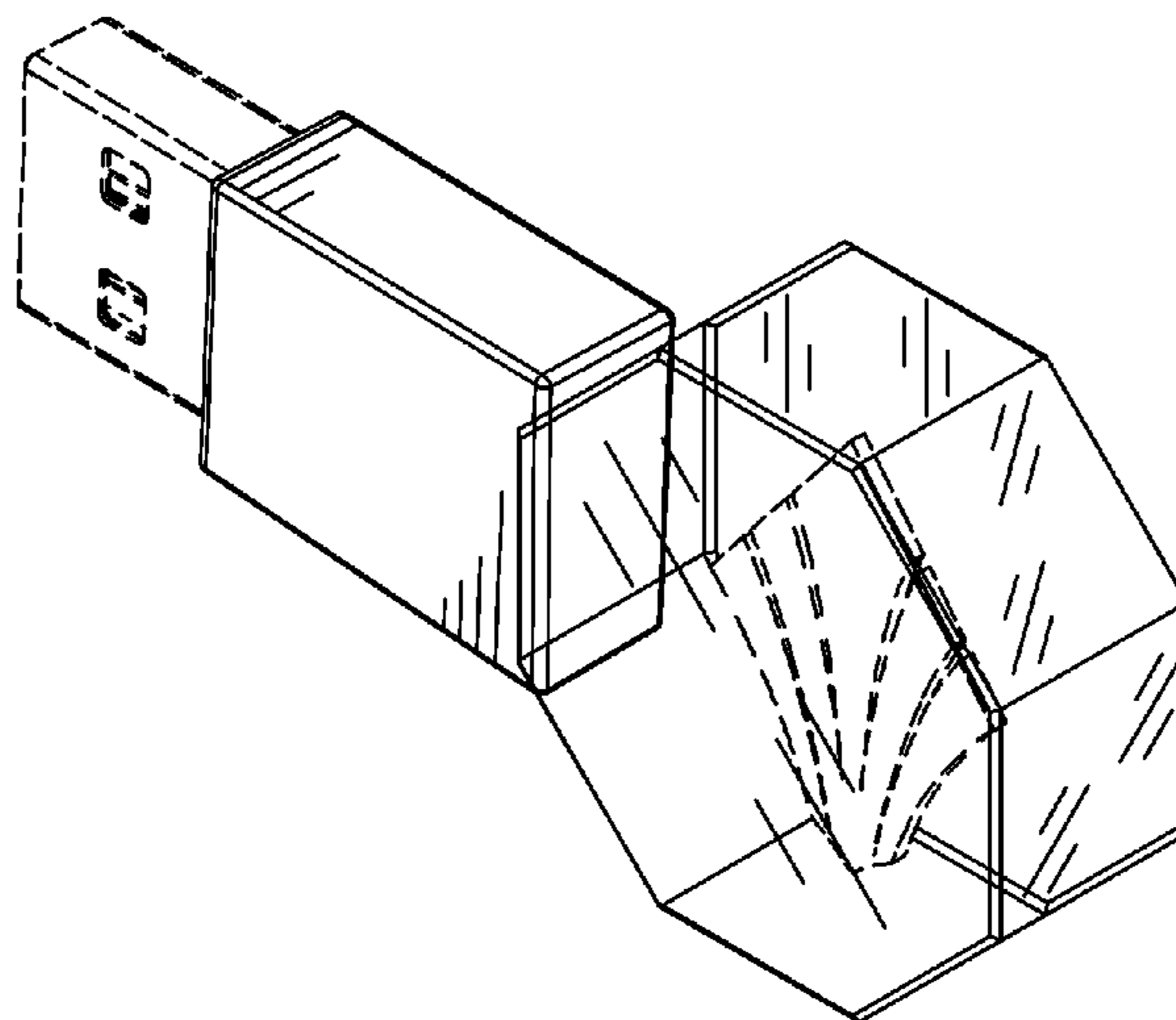
We claim the ornamental design for a USB memory drive, as shown and described.

DESCRIPTION

FIG. 1 is a perspective view of a USB memory drive in accordance with the present design;
FIG. 2 is a top view thereof;
FIG. 3 is a bottom view thereof;
FIG. 4 is a front view thereof;
FIG. 5 is a back view thereof;
FIG. 6 is a right side view thereof; and,
FIG. 7 is a left side view thereof.

The broken line showings of the USB connector and the subsurface engraving are included for the purpose of illustrating portions of the USB memory drive and form no part of the claimed design.

1 Claim, 3 Drawing Sheets



(56)

References Cited

U.S. PATENT DOCUMENTS

D638,575 S 5/2011 Meyer
 D653,152 S 1/2012 Bartl
 D657,365 S 4/2012 Sung
 8,241,047 B2 * 8/2012 Ni et al. 439/131
 D666,936 S 9/2012 Lee et al.
 D668,664 S 10/2012 Zhou
 D672,361 S 12/2012 Huang
 D675,216 S 1/2013 Bedol et al.
 D675,217 S * 1/2013 Lee D14/480.6
 D675,630 S 2/2013 Ni et al.
 D680,123 S 4/2013 Benois
 D686,632 S * 7/2013 Iversen D14/480.6

OTHER PUBLICATIONS

GW Crystal | Circular Flash Drives, [online], [retrieved on Jan. 6, 2014]. Retrieved from the Internet <URL: http://www.gwcrystal.com/index.php?section=product&subsection=product_details&product_id=221&category_id=51>.*
 GW Crystal | Flash Drives, [online], [retrieved on Jan. 6, 2014]. Retrieved from the Internet <URL: http://www.gwcrystal.com/index.php?section=product&category_id=51>.*
 Hirsch Gift, Website catalog, Picasso Crystal USB 2.0 Drive, URL: <http://www.hirschgift.com/product.asp?ProductID=585>, retrieved from Internet Aug. 8, 2013.

* cited by examiner

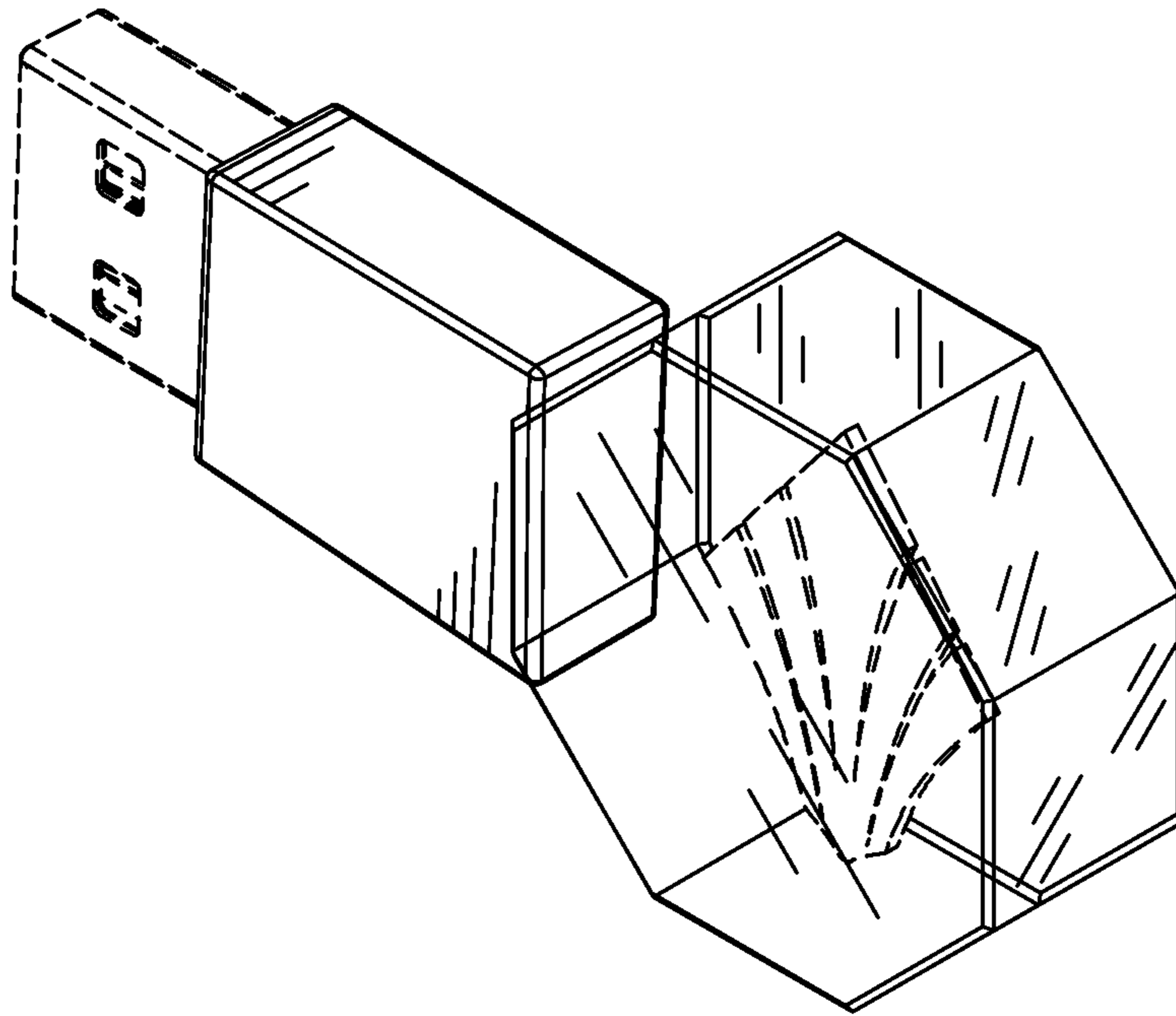


Fig. 1

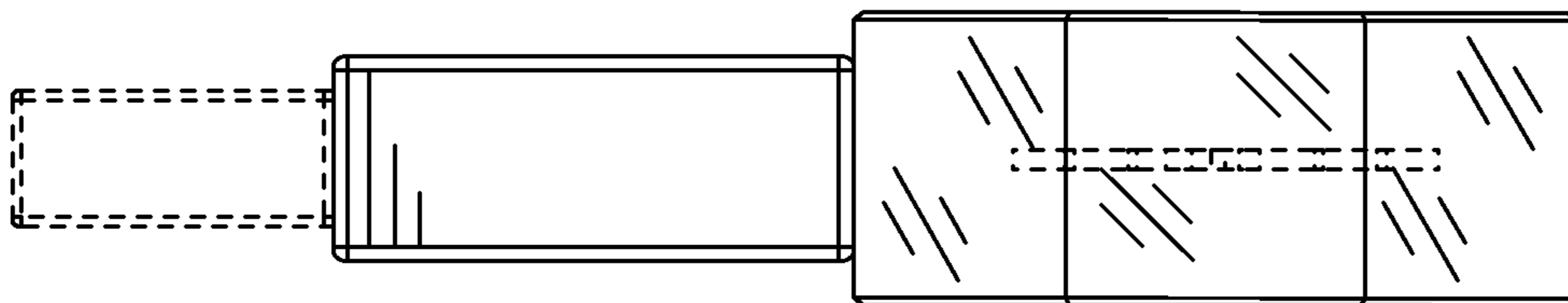


Fig. 2

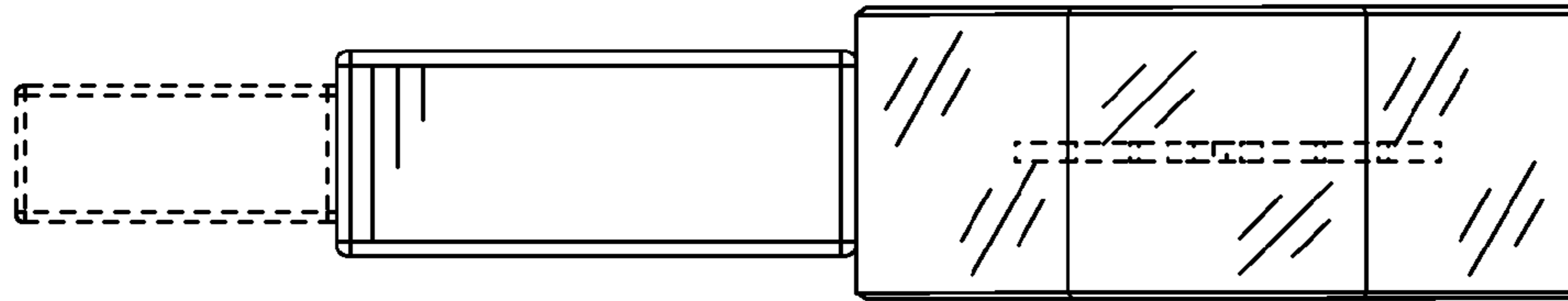


Fig. 3

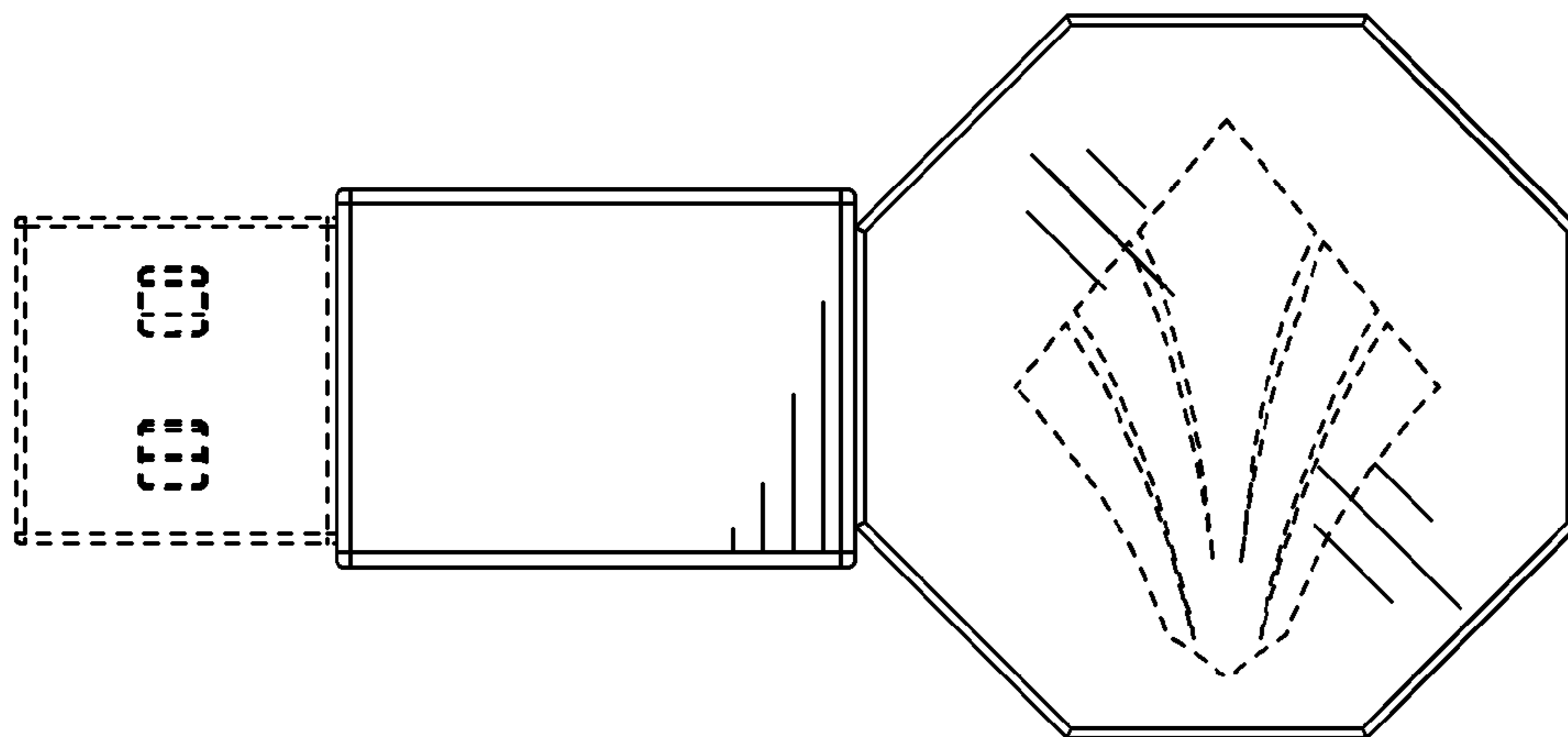


Fig. 4

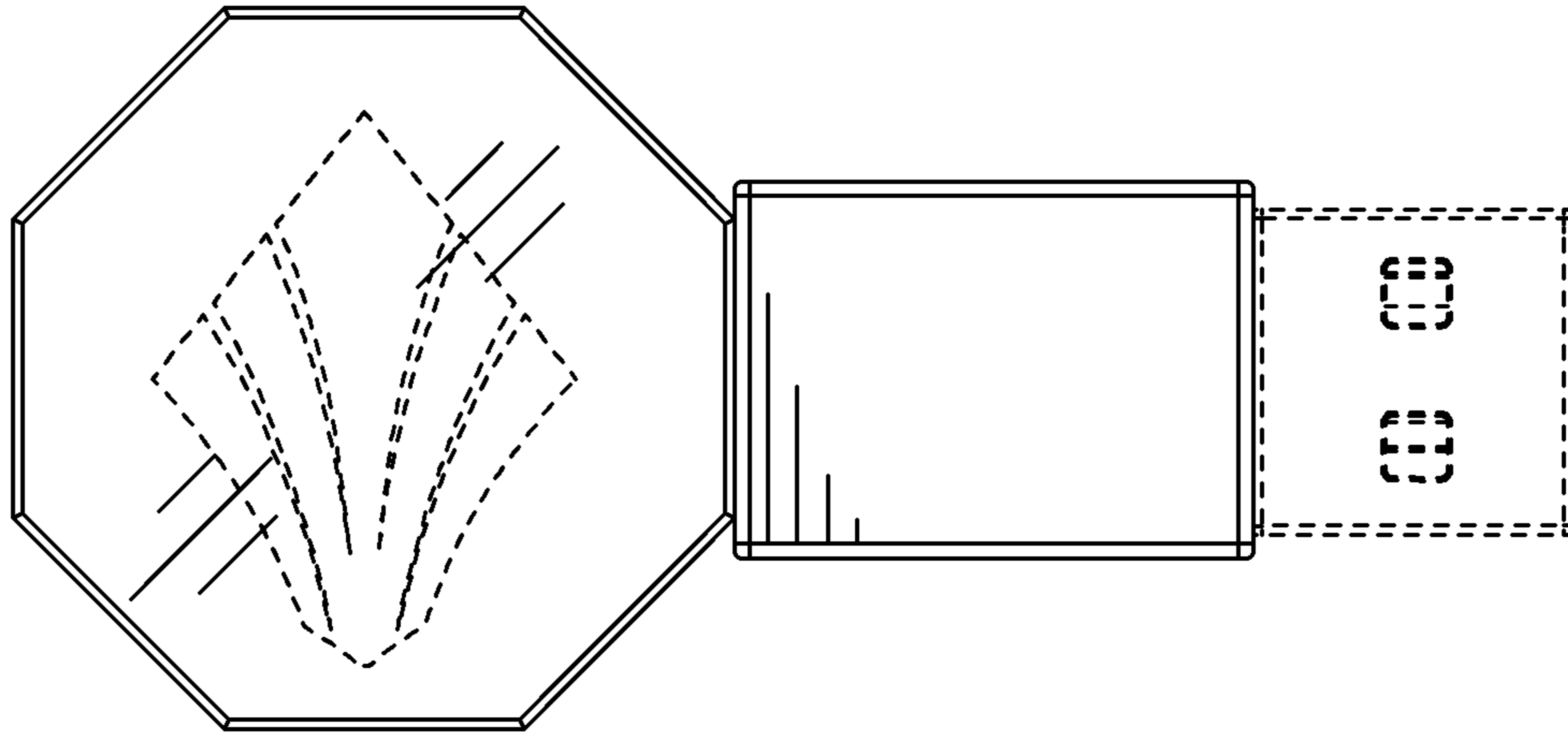


Fig. 5

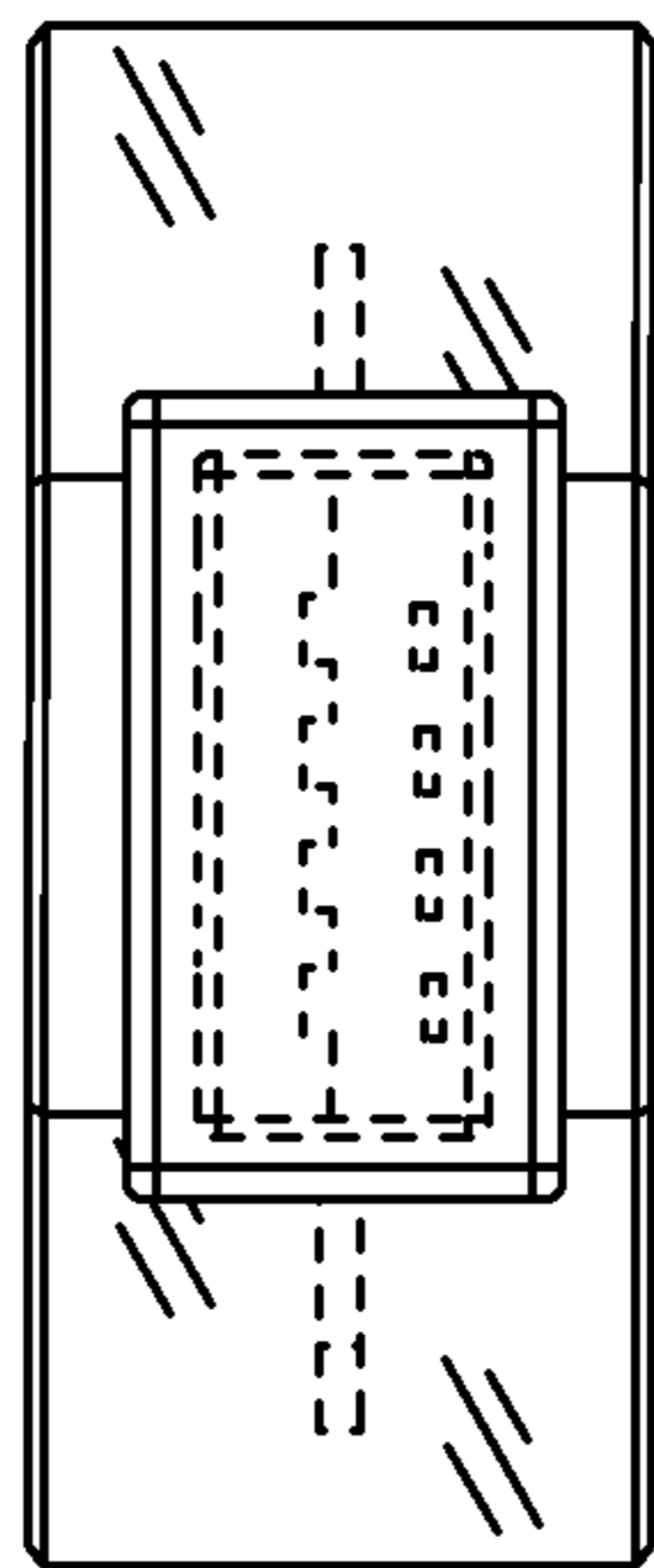


Fig. 6

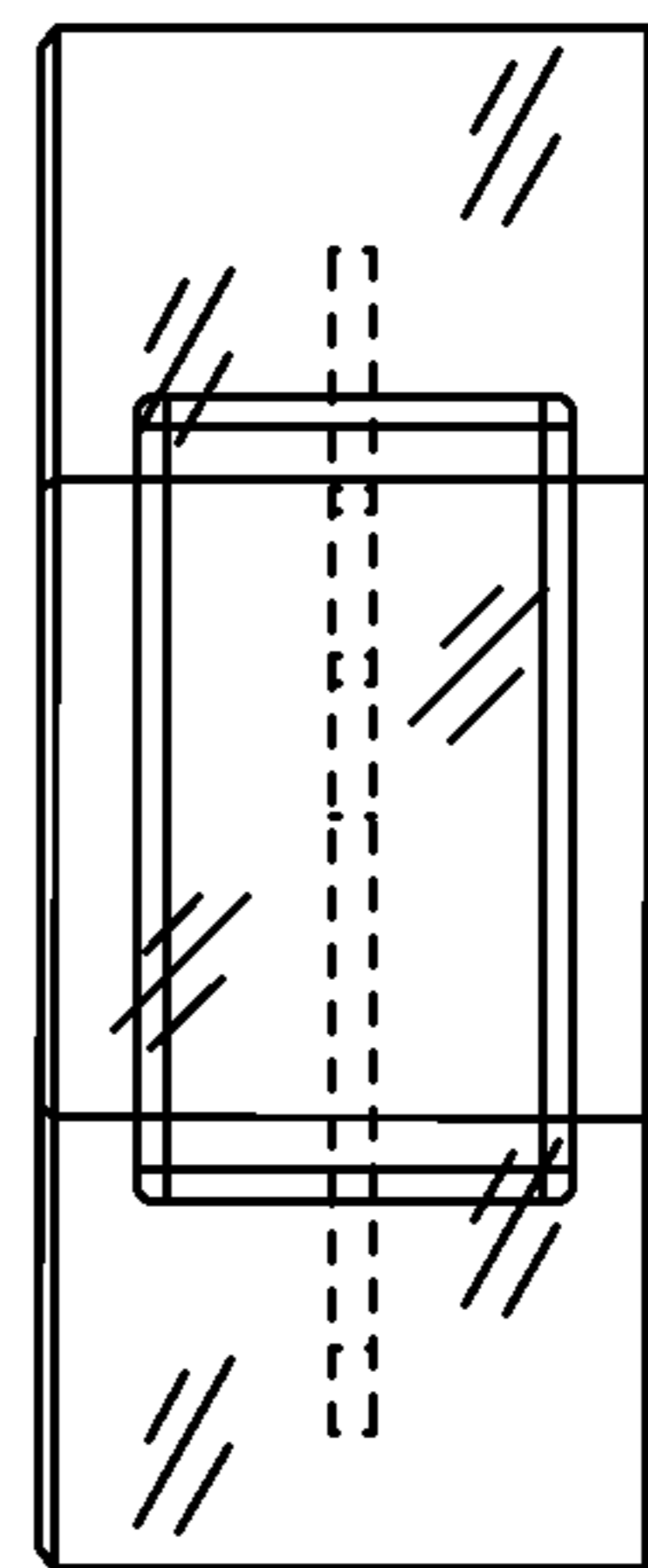


Fig. 7