



US00D708187S

(12) **United States Design Patent**
Xiang

(10) **Patent No.:** **US D708,187 S**

(45) **Date of Patent:** **** Jul. 1, 2014**

(54) **LAPTOP STAND**

(71) Applicant: **Logitek Digital Technology Co., Ltd.**,
Ningbo (CN)

(72) Inventor: **Lehong Xiang**, Ningbo (CN)

(73) Assignee: **Logitek Digital Technology Co., Ltd.**,
Ningbo (CN)

(**) Term: **14 Years**

(21) Appl. No.: **29/470,631**

(22) Filed: **Oct. 23, 2013**

(30) **Foreign Application Priority Data**

Apr. 24, 2013 (CN) 2013 3 0135146

(51) **LOC (10) Cl.** **08-07**

(52) **U.S. Cl.**
USPC **D14/447**

(58) **Field of Classification Search**

CPC A47B 2097/005; A47B 2097/006;
A47B 21/04; A47B 2021/00; A47B 23/00;
A47B 23/043; A47B 2021/0314; A47B
2021/0307; A47B 2023/005; A47B 2023/049;
F16M 13/00; F16M 2200/00; H04B 1/3888;
H04M 1/04; H04M 1/185; A45C 13/002;
A45C 2011/002; A45C 2011/003; A45C
2013/025
USPC D14/447, 432, 434, 439, 440, 451, 452,
D14/457, 460, 461, 238.1, 250, 251, 253;
D3/218; D6/406.3, 406.4, 406.5,
D6/406.6; 248/444, 441.1, 188.6,
248/917-924; 361/679.02, 679.03, 679.04,
361/679.09, 679.21, 679.26, 679.27, 679.3,
361/679.55, 679.56

See application file for complete search history.

(56) **References Cited**

U.S. PATENT DOCUMENTS

D454,136	S	*	3/2002	Deuschle	D14/447
D614,613	S	*	4/2010	Kim et al.	D14/253
D619,586	S	*	7/2010	Richter	D14/447
D626,541	S	*	11/2010	Kim et al.	D14/253
D630,222	S	*	1/2011	Lin	D14/447
D650,372	S	*	12/2011	Molter	D14/239
D654,120	S	*	2/2012	Lin	D21/333
D654,493	S	*	2/2012	Baumann et al.	D14/253
D695,732	S	*	12/2013	Baumann et al.	D14/253
D696,259	S	*	12/2013	Howarth et al.	D14/447
2010/0320341	A1	*	12/2010	Baumann et al.	248/206.2
2012/0168581	A1	*	7/2012	Cheng et al.	248/206.2

* cited by examiner

Primary Examiner — Angela J Lee

(74) *Attorney, Agent, or Firm* — Pearne & Gordon LLP

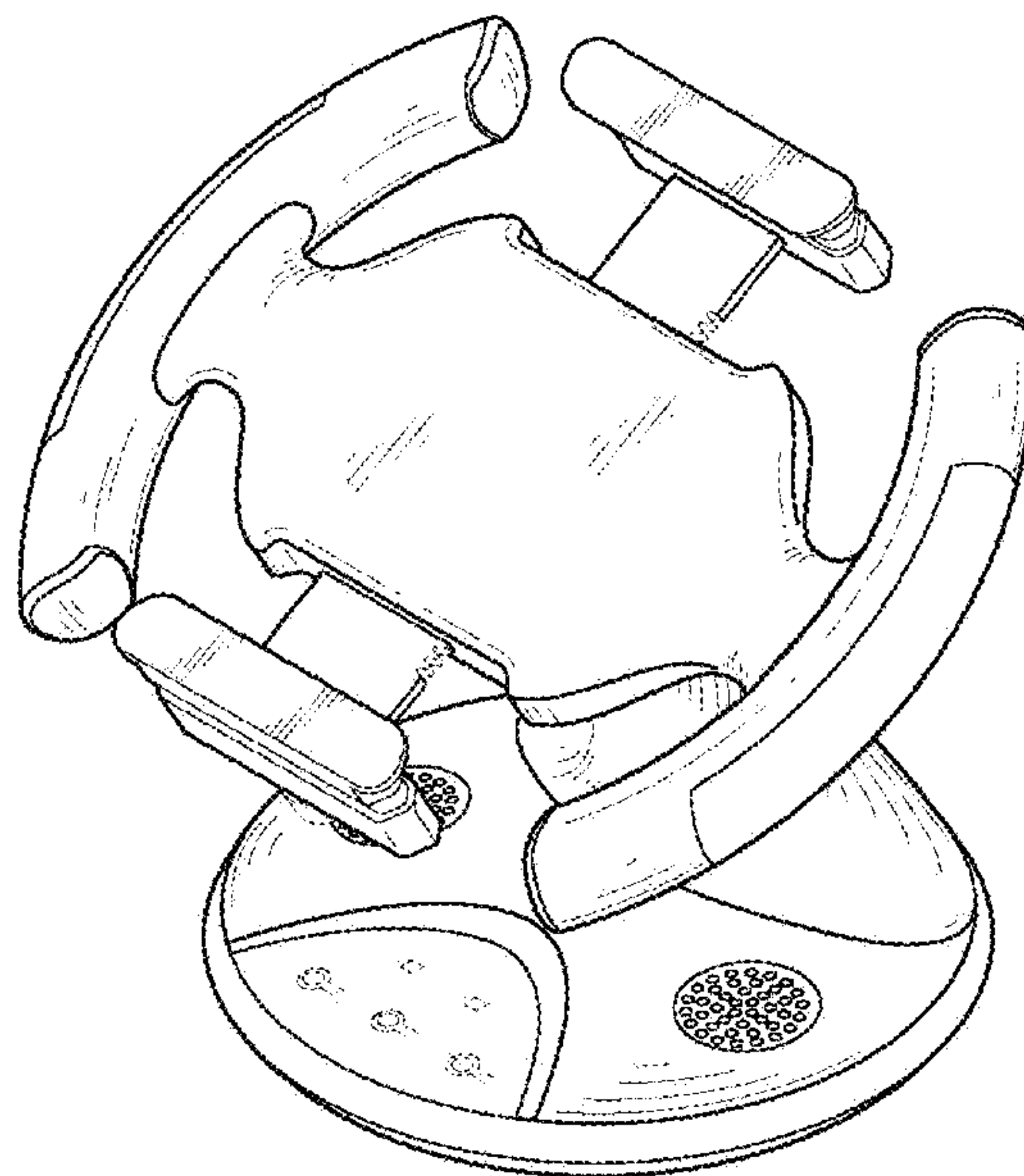
(57) **CLAIM**

The ornamental design for a laptop stand, as shown and described.

DESCRIPTION

FIG. 1 is a front view of my new laptop stand;
FIG. 2 is a rear view thereof;
FIG. 3 is a top view thereof;
FIG. 4 is a bottom view thereof;
FIG. 5 is a left side view thereof;
FIG. 6 is a right side view thereof; and,
FIG. 7 is a perspective view thereof.
The details of the laptop stand shown in the drawings in broken lines are provided for illustrative purposes only and form no part of the claimed design.

1 Claim, 7 Drawing Sheets



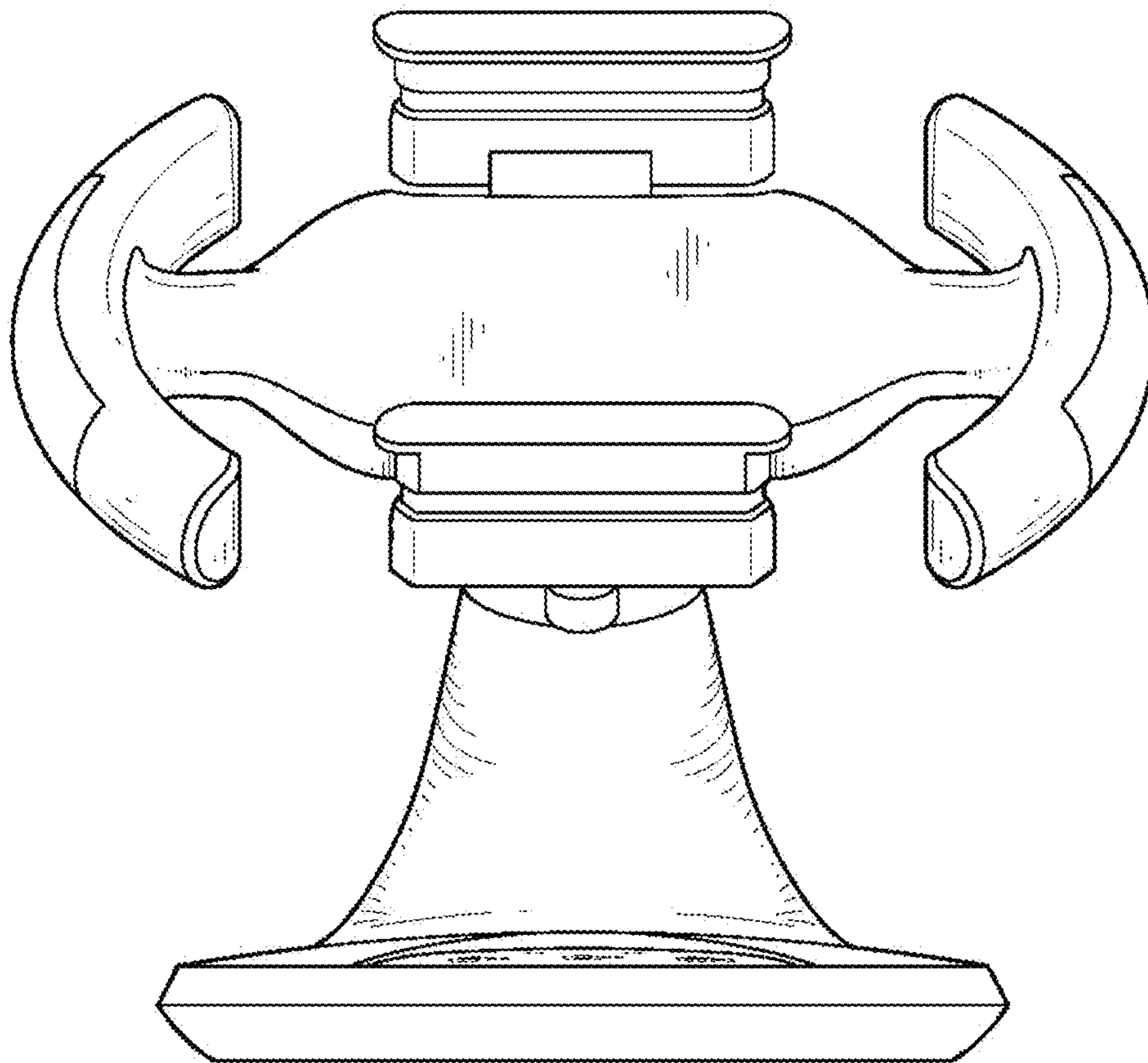


FIG. 1

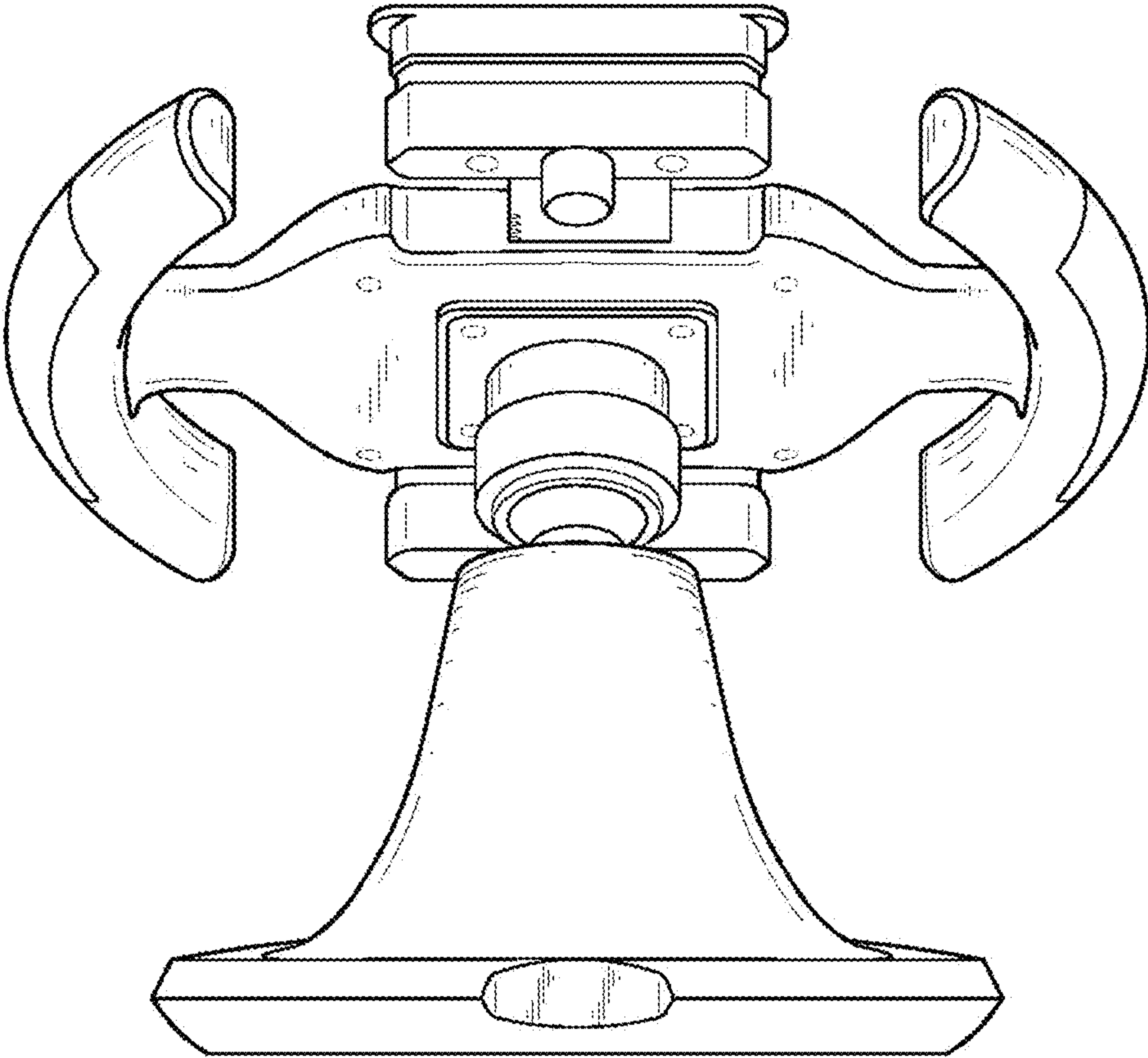


FIG. 2

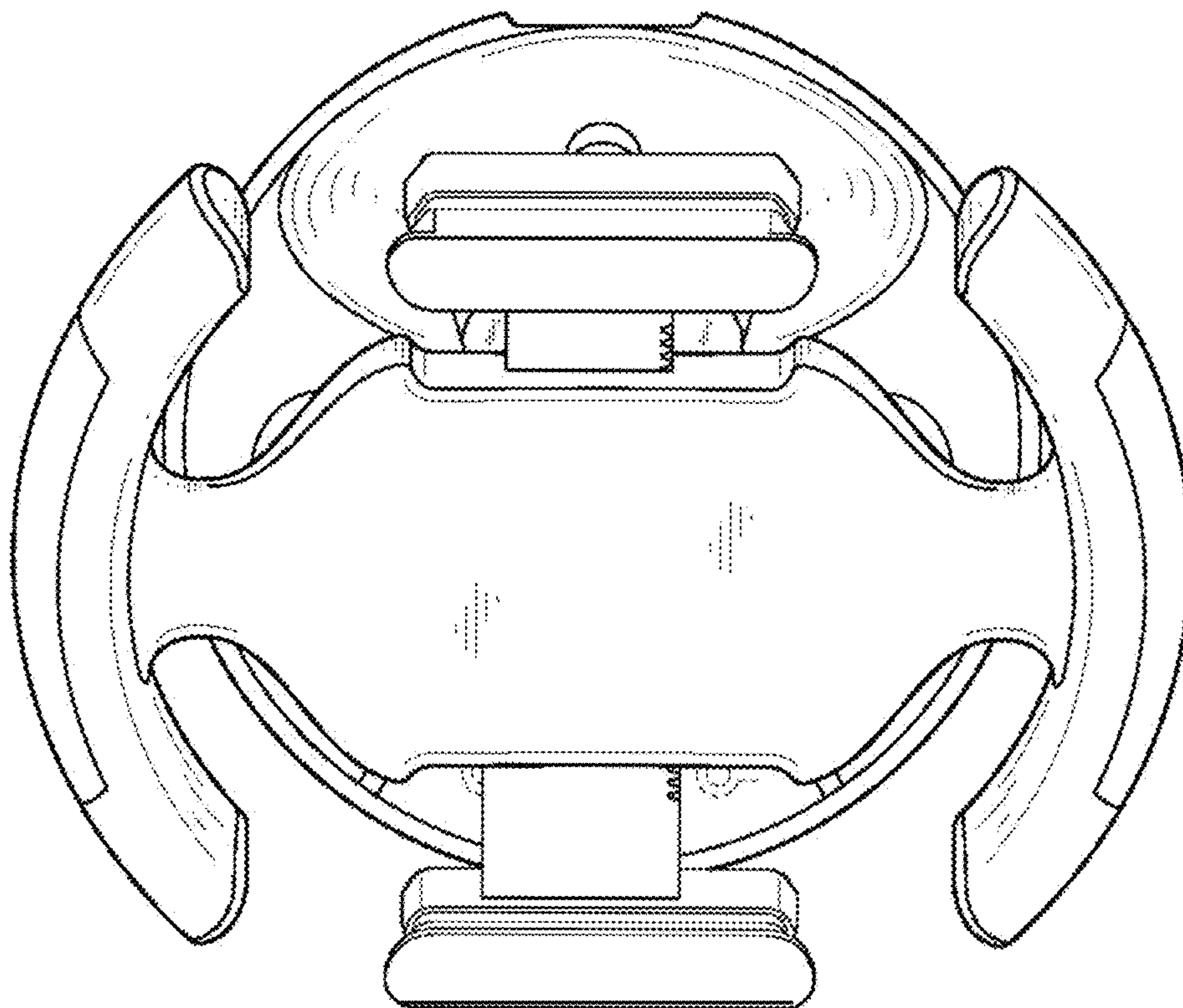


FIG. 3

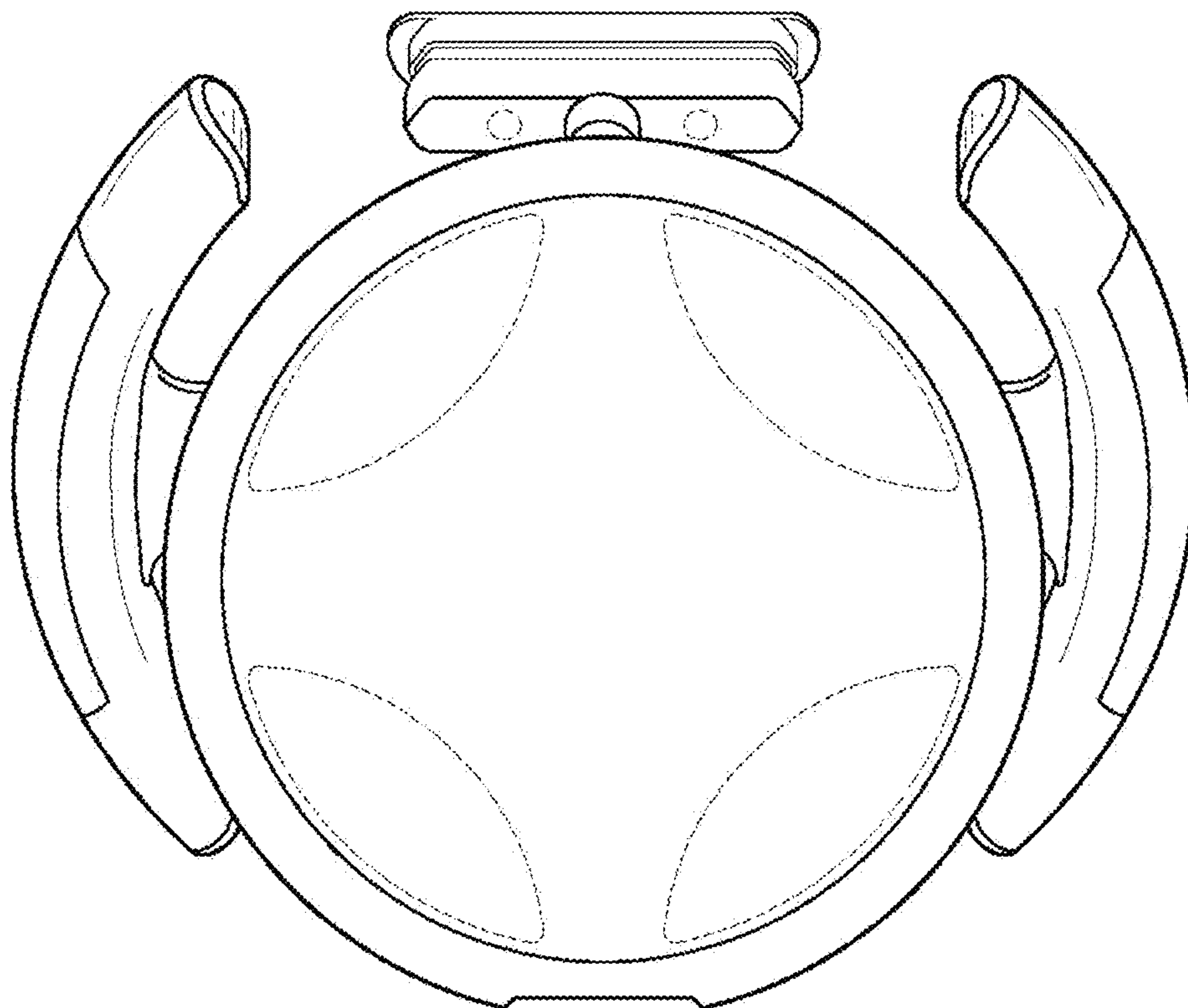


FIG. 4

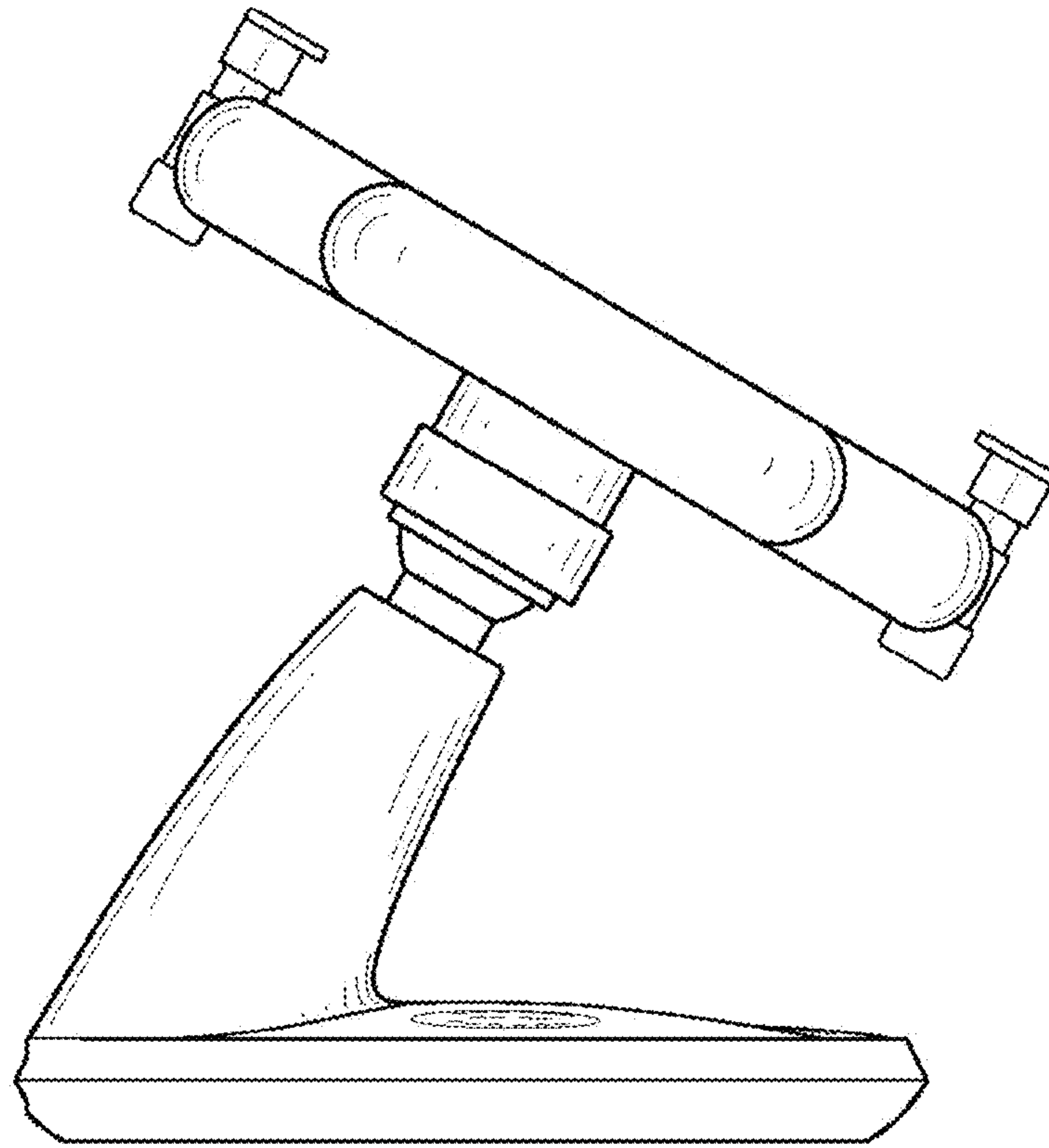


FIG. 5

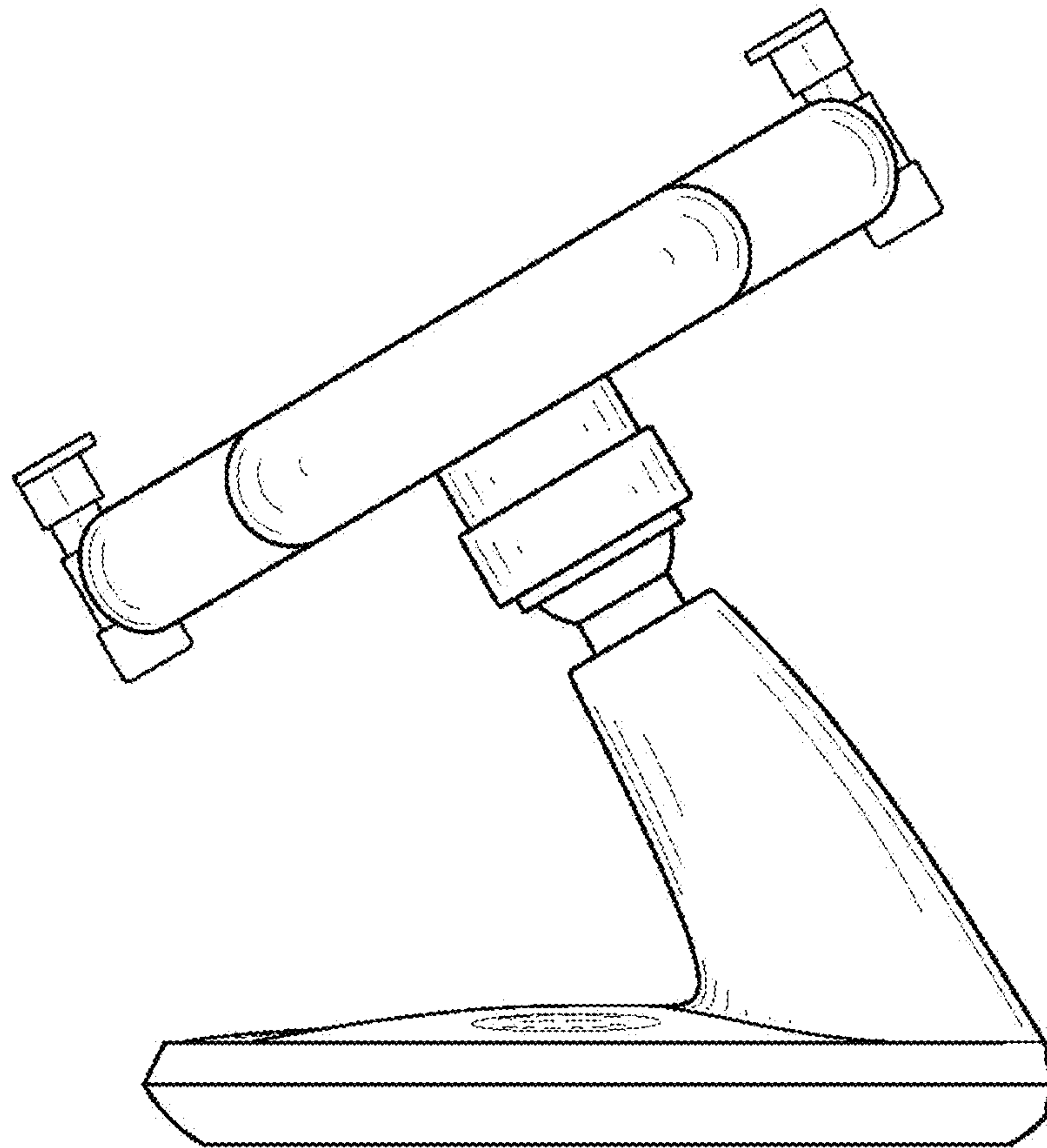


FIG. 6

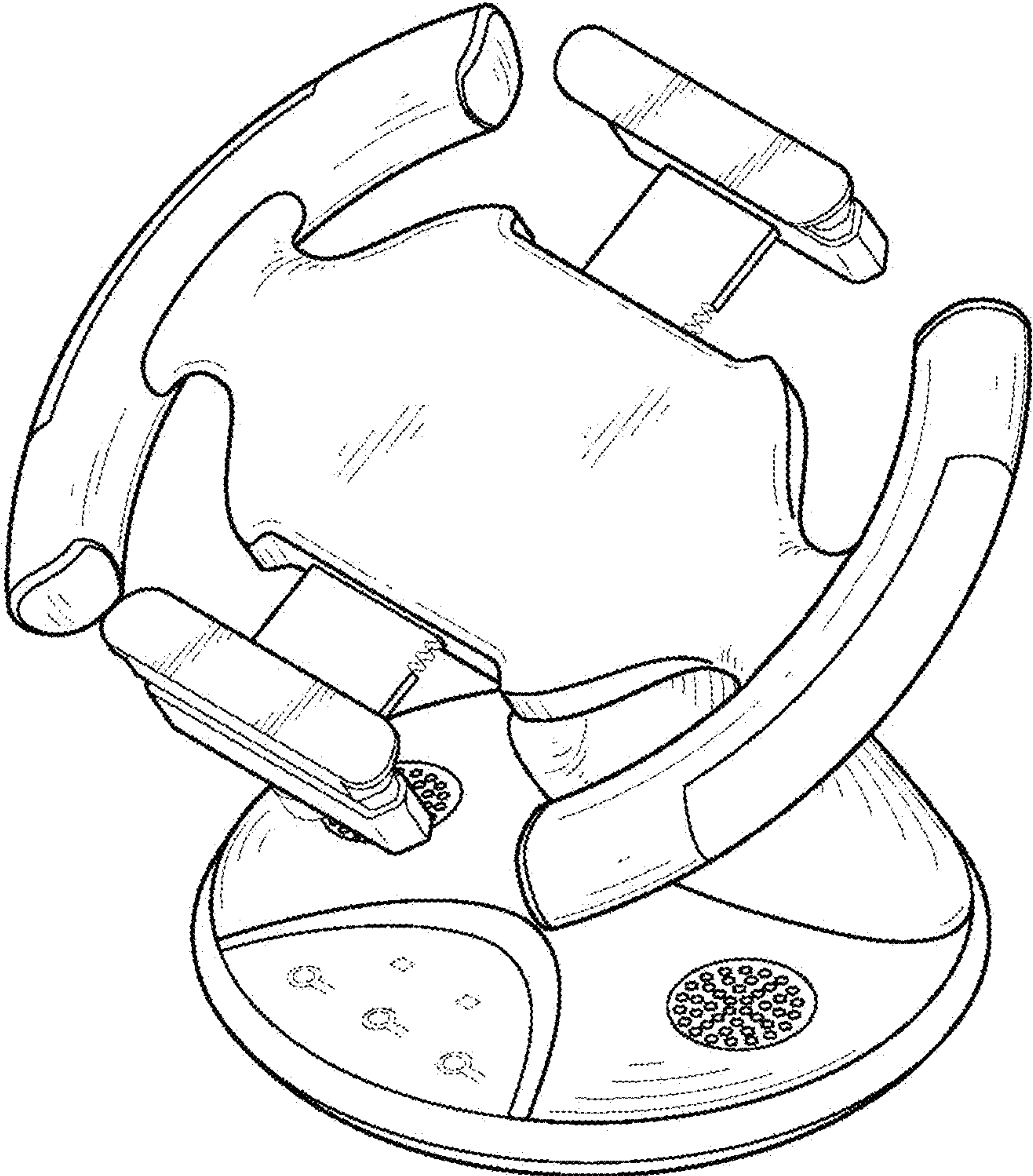


FIG. 7