



US00D708185S

(12) **United States Design Patent**
Romanoff et al.

(10) **Patent No.:** **US D708,185 S**
(45) **Date of Patent:** **** Jul. 1, 2014**

(54) **SHEET SCANNER WITH DISPLAY**

(71) Applicant: **The Neat Company, Inc.**, Philadelphia, PA (US)

(72) Inventors: **Harris Romanoff**, Bala Cynwyd, PA (US); **Ravi Shankar Vankata Dwivedula**, Bensalem, PA (US)

(73) Assignee: **The Neat Company, Inc.**, Philadelphia, PA (US)

(**) Term: **14 Years**

(21) Appl. No.: **29/464,602**

(22) Filed: **Aug. 19, 2013**

(51) **LOC (10) Cl.** **14-02**

(52) **U.S. Cl.**
USPC **D14/422**

(58) **Field of Classification Search**
USPC D14/420, 422, 425, 462-470, 424, 389, D14/125, 399; D18/54, 55, 50, 53, 36-39, D18/14, 18-21, 49, 46, 52, 56, 51, 54.4; D13/164, 168; 358/400, 401, 448, 474, 358/486-488, 496, 497, 494, 473, 302, 468, 358/498; 382/312, 317, 321, 315; 400/613, 400/613.1-613.4, 690.1-690.4, 691-694, 400/88, 175; 399/107, 379, 380, 211, 212; 235/462.11, 462.41, 472.01, 470, 235/462.43; 361/680, 681; 378/177, 187, 378/188; 101/93.4, 269; 355/78; D24/165, D24/169, 186; 600/502, 503, 499, 494, 490, 600/485, 500, 492, 480, 493, 495, 479; 128/900; 16/286; 347/104, 109, 5; 271/186, 225, 126, 121, 137, 138
See application file for complete search history.

(56) **References Cited**

U.S. PATENT DOCUMENTS

D263,831 S * 4/1982 Barbera et al. D14/462
D264,846 S * 6/1982 Taguchi D14/462

D266,151 S * 9/1982 Dawson D10/81
D286,437 S * 10/1986 Nishibori D24/165
4,806,036 A * 2/1989 Ward et al. 400/691
D312,079 S * 11/1990 Komatsu D14/469
D315,360 S * 3/1991 Tokuda et al. D18/54
D333,316 S * 2/1993 Ishizawa D18/55
D337,578 S * 7/1993 Nagele D14/469
D340,740 S * 10/1993 Kawashima D18/50
D344,513 S * 2/1994 Taniuchi et al. D14/144
D345,966 S * 4/1994 Perez D18/4.5
D352,705 S * 11/1994 Shalvi D14/422
D356,098 S * 3/1995 Tamura D16/202
D356,745 S * 3/1995 Ninomiya et al. D10/81
D367,821 S * 3/1996 Fischer D10/65
D370,471 S * 6/1996 Au D14/422
D378,927 S * 4/1997 Kasahara et al. D18/50
D399,524 S * 10/1998 Nakajima D18/50
D408,799 S * 4/1999 Daury D14/385
D409,584 S * 5/1999 Fetherolf D14/422

(Continued)

Primary Examiner — Susan Moon Lee

(74) *Attorney, Agent, or Firm* — Baker & Hostetler LLP

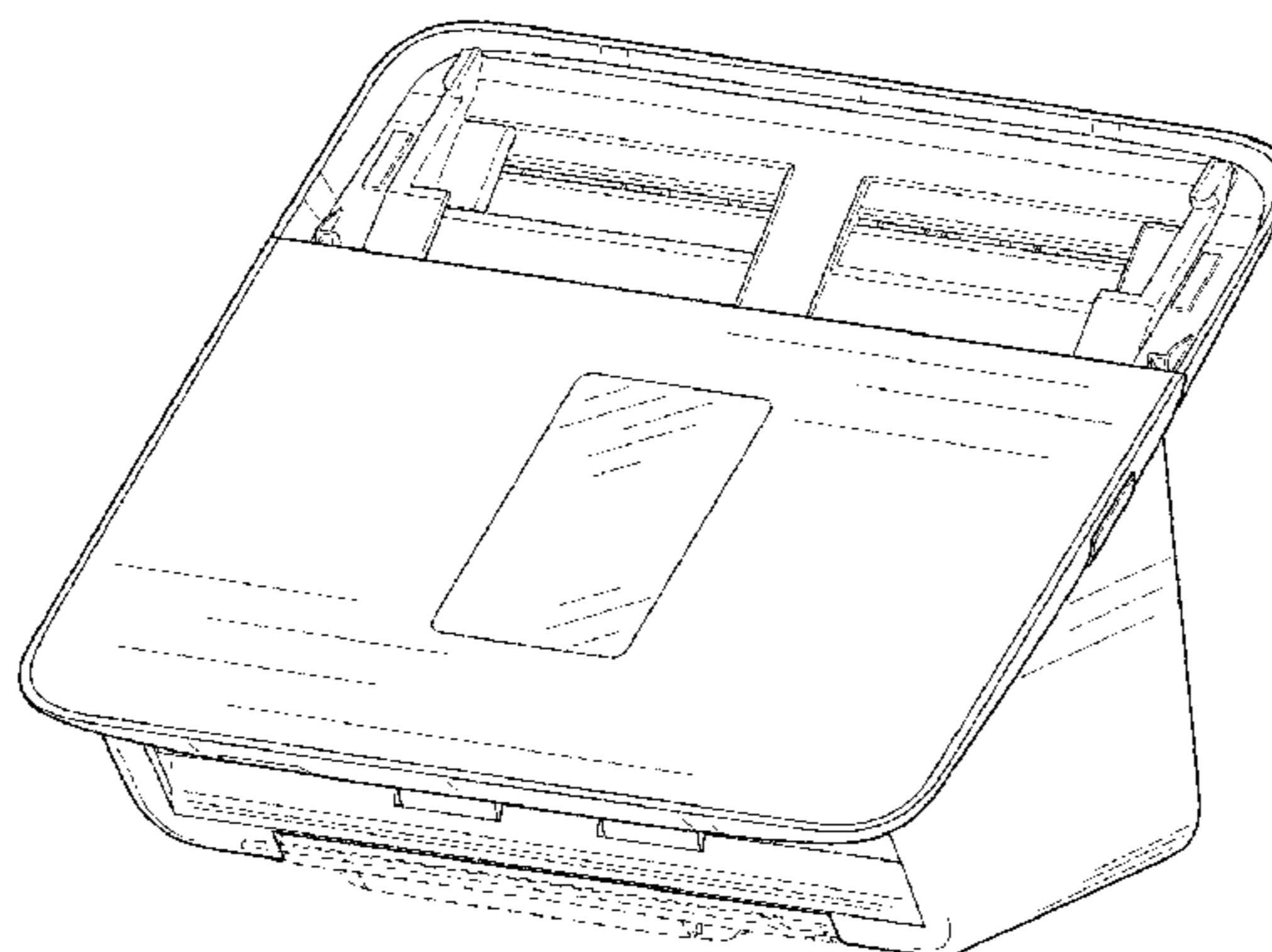
(57) **CLAIM**

The ornamental design for a sheet scanner with display, as shown and described.

DESCRIPTION

FIG. 1 is a front perspective view of a sheet scanner with display, in accordance with our new design;
FIG. 2 is a rear perspective view thereof;
FIG. 3 is a front elevational view thereof;
FIG. 4 is a rear elevational view thereof;
FIG. 5 is a right-side elevational view thereof;
FIG. 6 is a left-side elevational view thereof;
FIG. 7 is a top plan view thereof; and,
FIG. 8 is a bottom plan view thereof.
Broken lines and unshaded portions contained within broken lines are not claimed.

1 Claim, 8 Drawing Sheets



(56)

References Cited

U.S. PATENT DOCUMENTS

D422,570 S *	4/2000	Kobayashi	D14/509	D571,370 S *	6/2008	Sugitani et al.	D14/422
D430,163 S *	8/2000	Gatto et al.	D14/422	D571,371 S *	6/2008	Kuroda et al.	D14/422
6,231,043 B1 *	5/2001	James et al.	271/209	D573,596 S *	7/2008	Laidlaw et al.	D14/422
D443,878 S *	6/2001	Sakata et al.	D14/422	D574,829 S *	8/2008	Shirai et al.	D14/422
D444,813 S *	7/2001	Quijano	D18/55	D576,670 S *	9/2008	Sumi	D18/50
D446,306 S *	8/2001	Ochi et al.	D24/186	D579,016 S *	10/2008	Romanoff et al.	D14/422
6,540,219 B1 *	4/2003	Naruse et al.	271/37	D580,486 S *	11/2008	Kanno et al.	D18/50
D475,052 S *	5/2003	Chujou et al.	D14/422	D583,060 S *	12/2008	Kitamura et al.	D24/165
6,568,674 B2 *	5/2003	Matsuda	271/274	D583,819 S *	12/2008	Romanoff et al.	D14/422
D478,618 S *	8/2003	Obara	D18/54	D601,259 S *	9/2009	Guthrie et al.	D24/169
D517,554 S *	3/2006	Yanagisawa et al.	D14/421	D631,050 S *	1/2011	Ilfie-Moon et al.	D14/422
D518,826 S *	4/2006	Chujou et al.	D14/422	D632,295 S *	2/2011	Kuroda	D14/422
D532,448 S *	11/2006	Lim et al.	D18/50	D642,179 S *	7/2011	Kuroda et al.	D14/422
D536,731 S *	2/2007	Tate et al.	D18/50	D669,080 S *	10/2012	Iwai et al.	D14/422
D537,111 S *	2/2007	Whittall et al.	D18/50	D671,542 S *	11/2012	Siekman et al.	D14/422
D542,292 S *	5/2007	Kitamura et al.	D14/422	D687,436 S *	8/2013	Penke et al.	D14/422
D549,705 S *	8/2007	Sugitani et al.	D14/422	D689,865 S *	9/2013	Kitamura et al.	D14/422
D558,820 S *	1/2008	Hong et al.	D18/50	D689,866 S *	9/2013	Anzai et al.	D14/422
D562,378 S *	2/2008	Kim et al.	D18/50	D692,891 S *	11/2013	Kuroda et al.	D14/422
					D699,724 S *	2/2014	Isozaki	D14/421
					2003/0063337 A1 *	4/2003	Shirai et al.	358/498

* cited by examiner

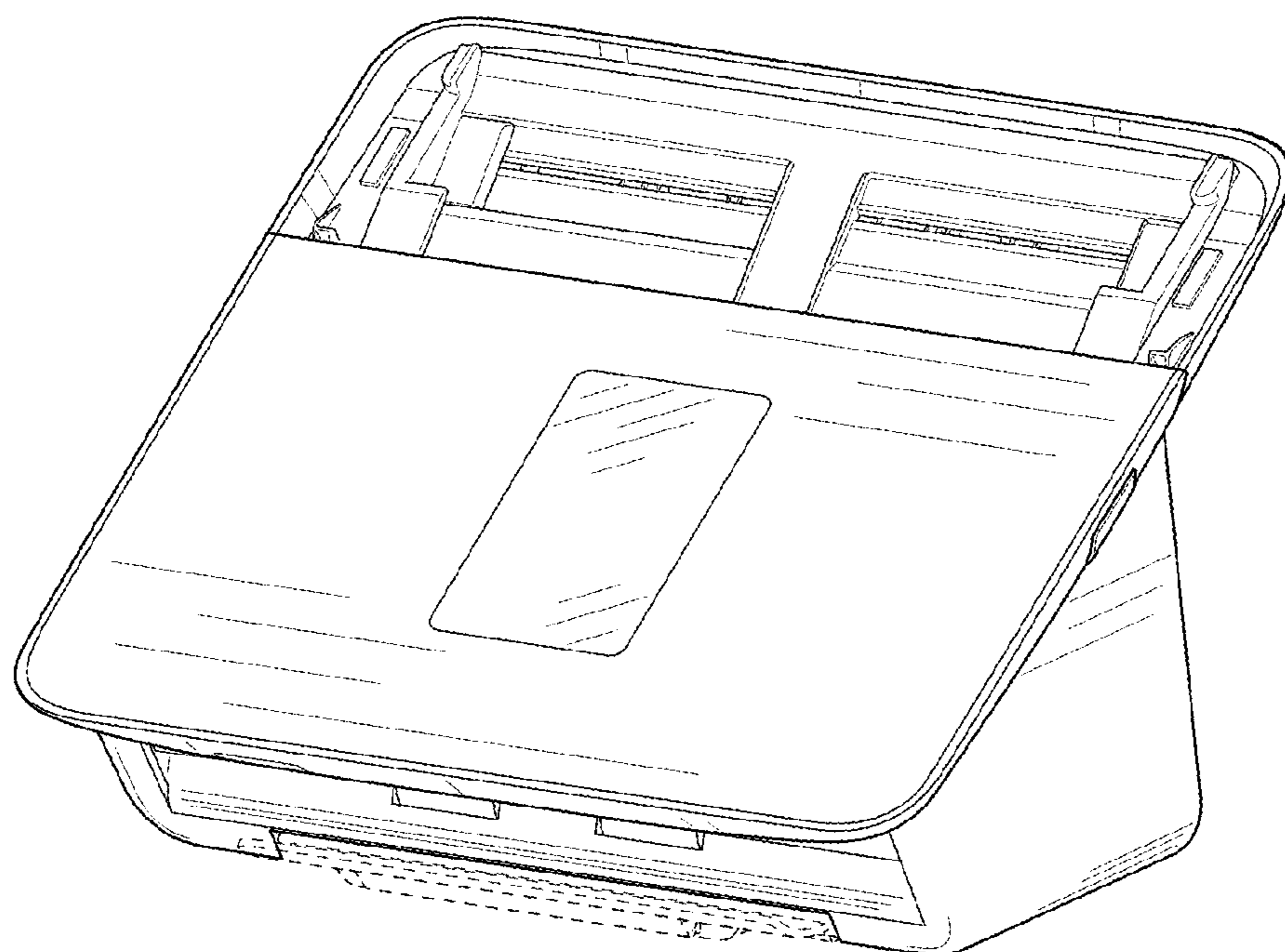


FIG. 1

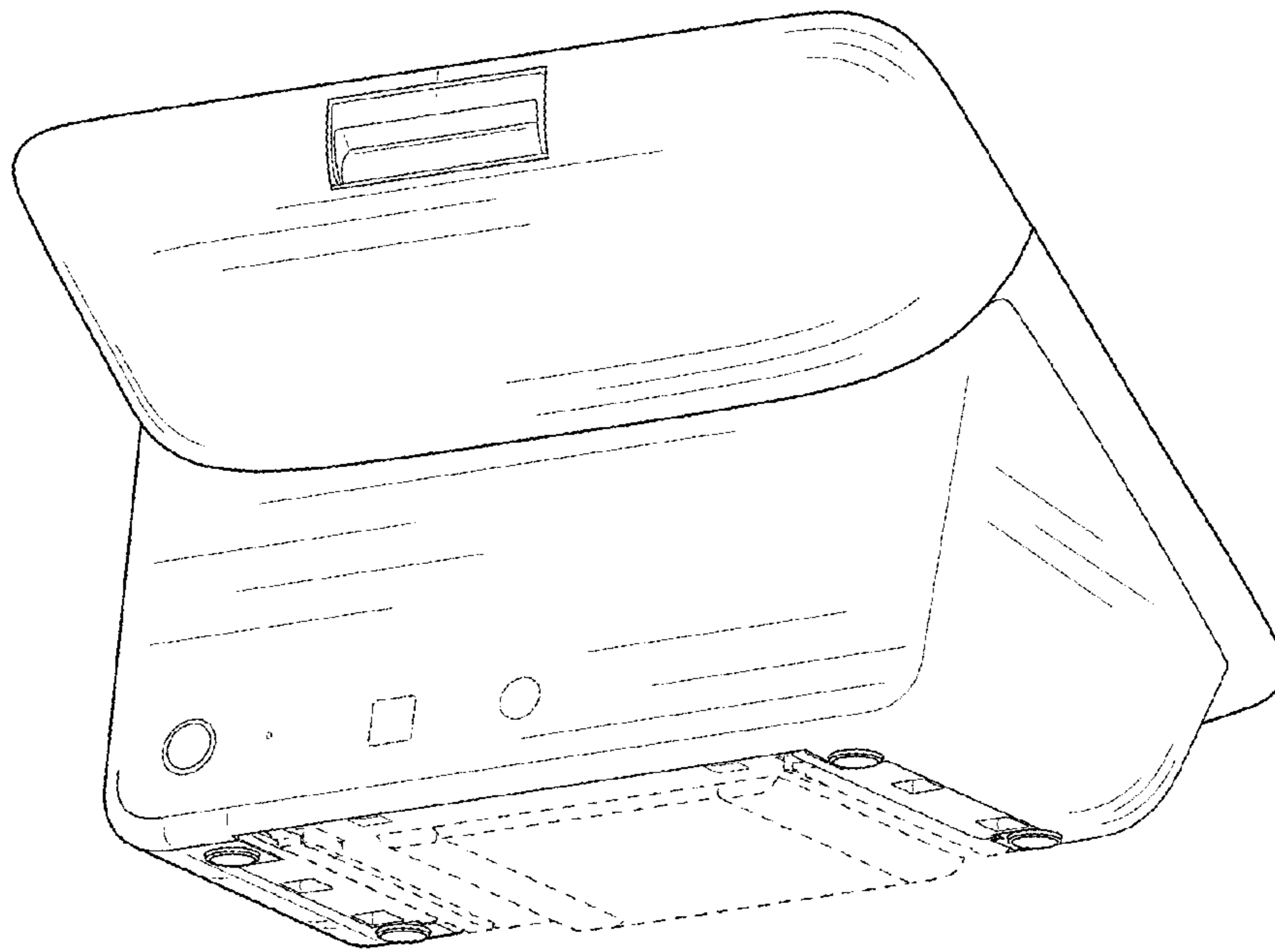


FIG. 2

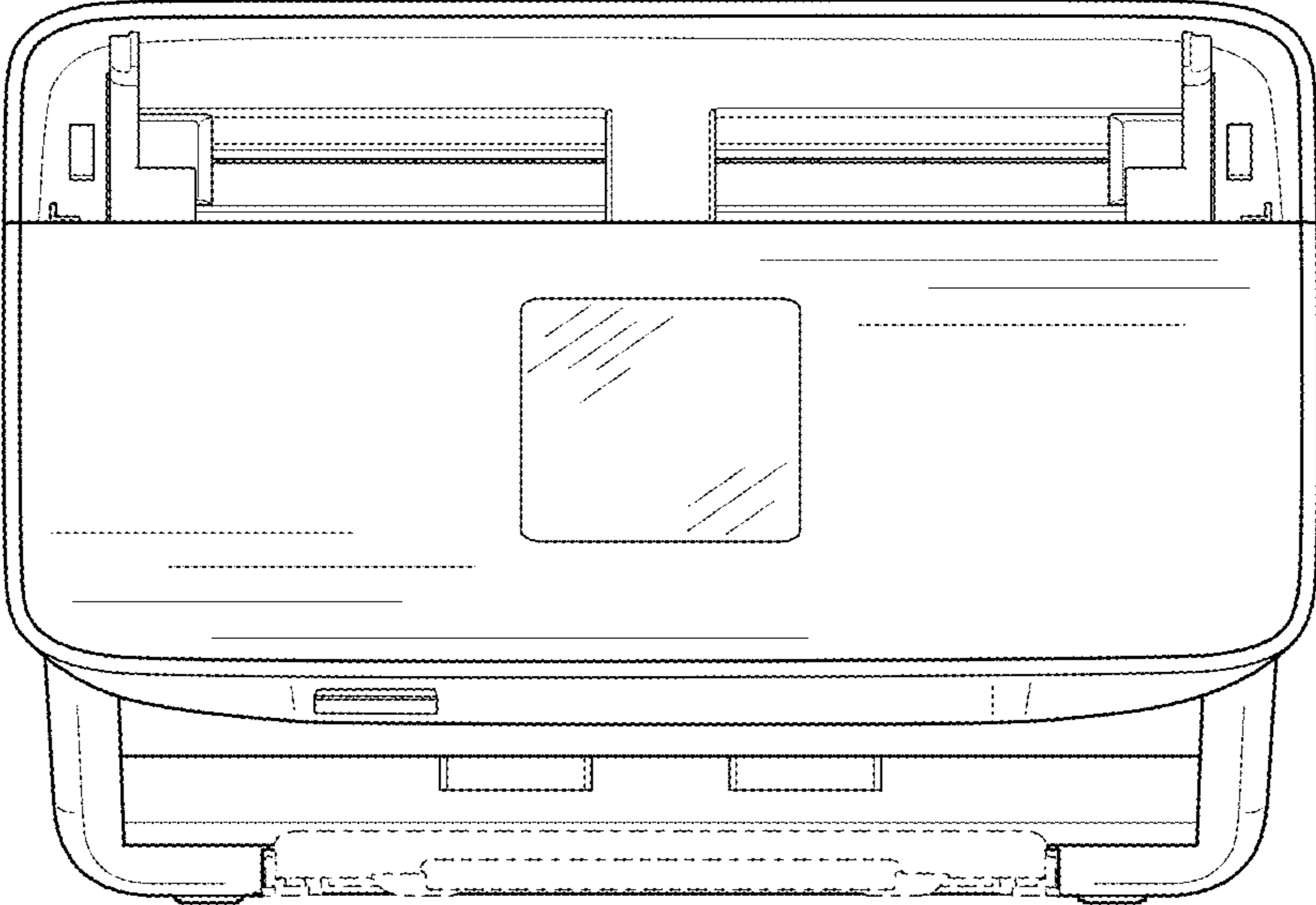


FIG. 3

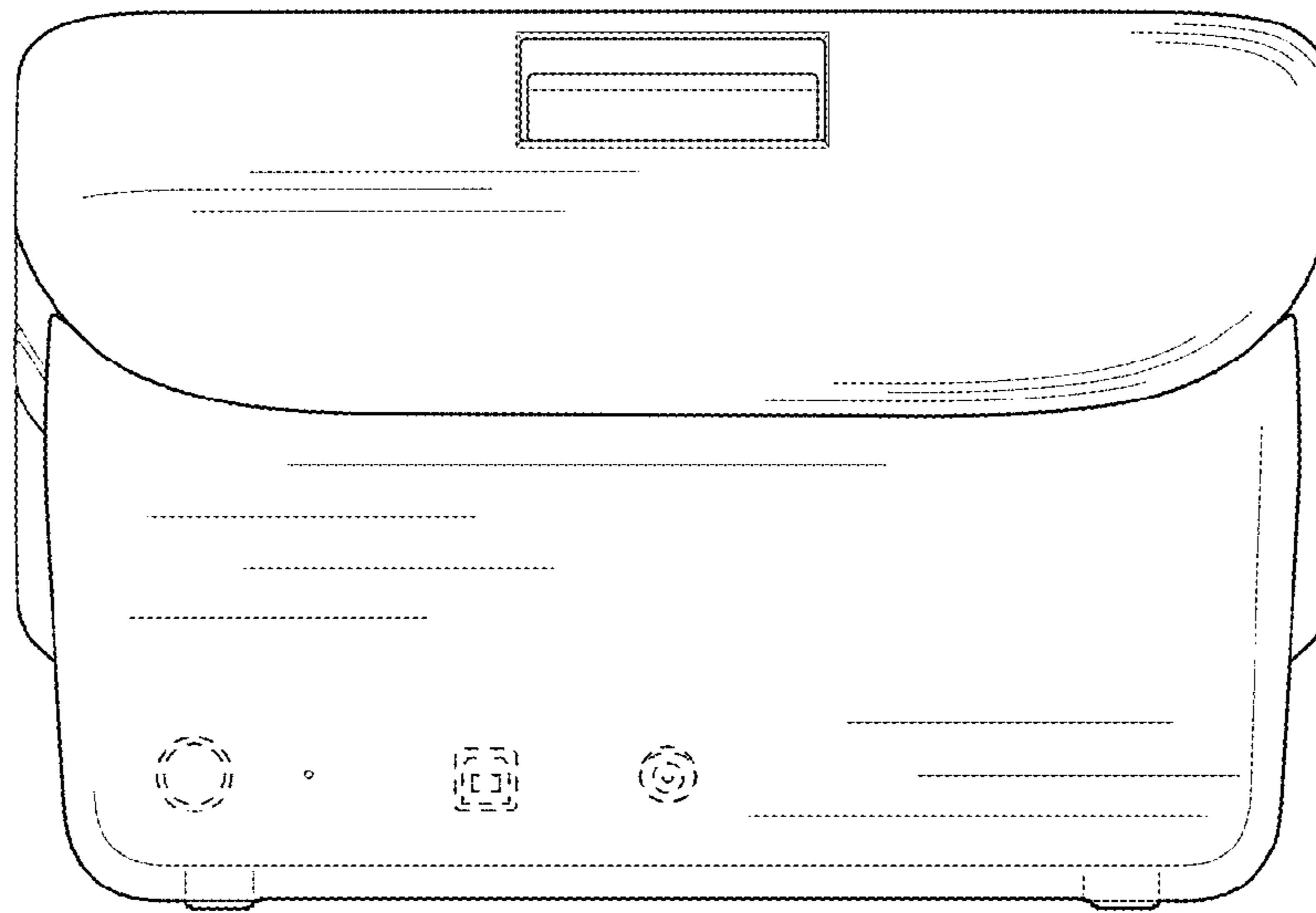


FIG. 4

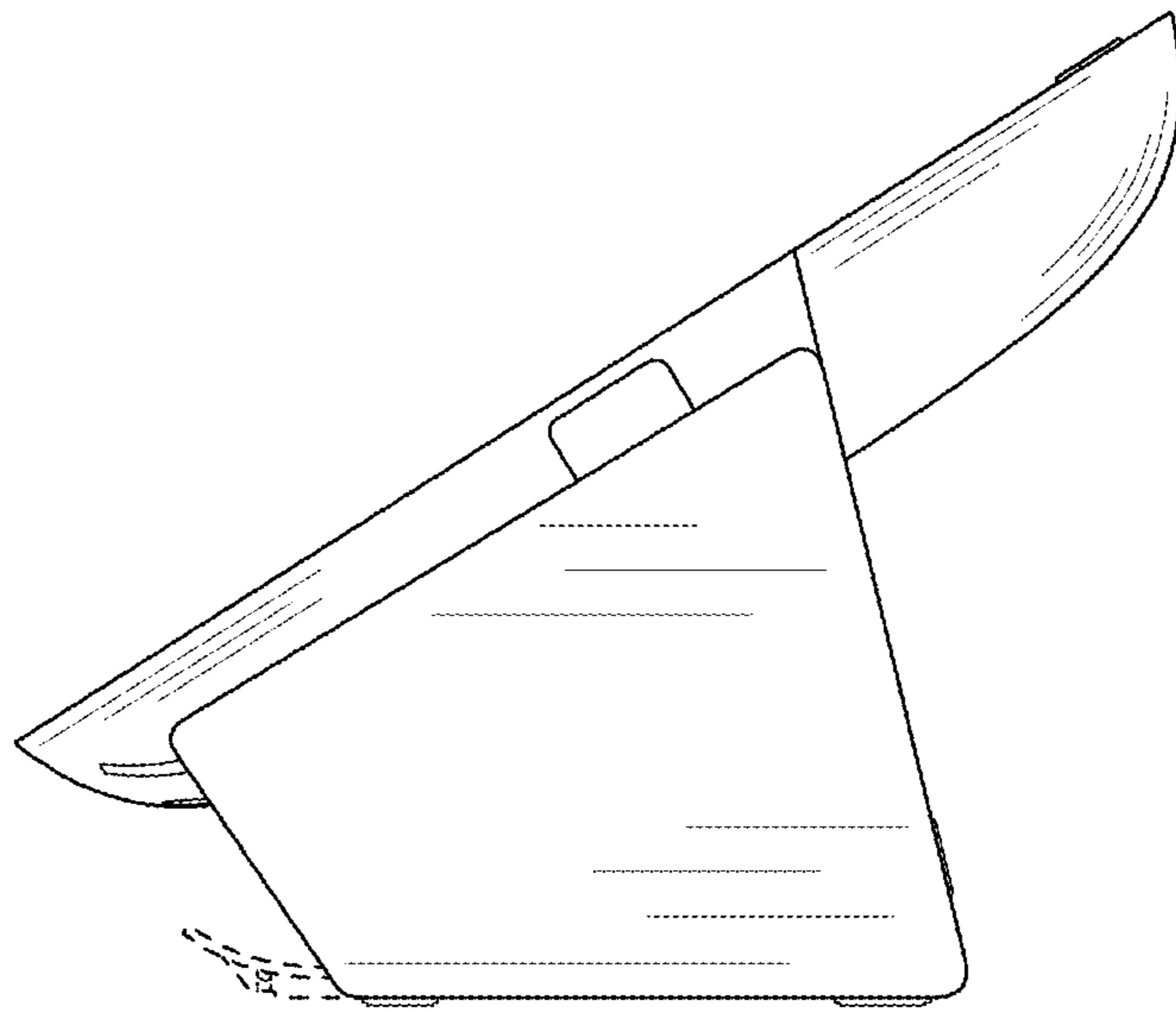


FIG. 5

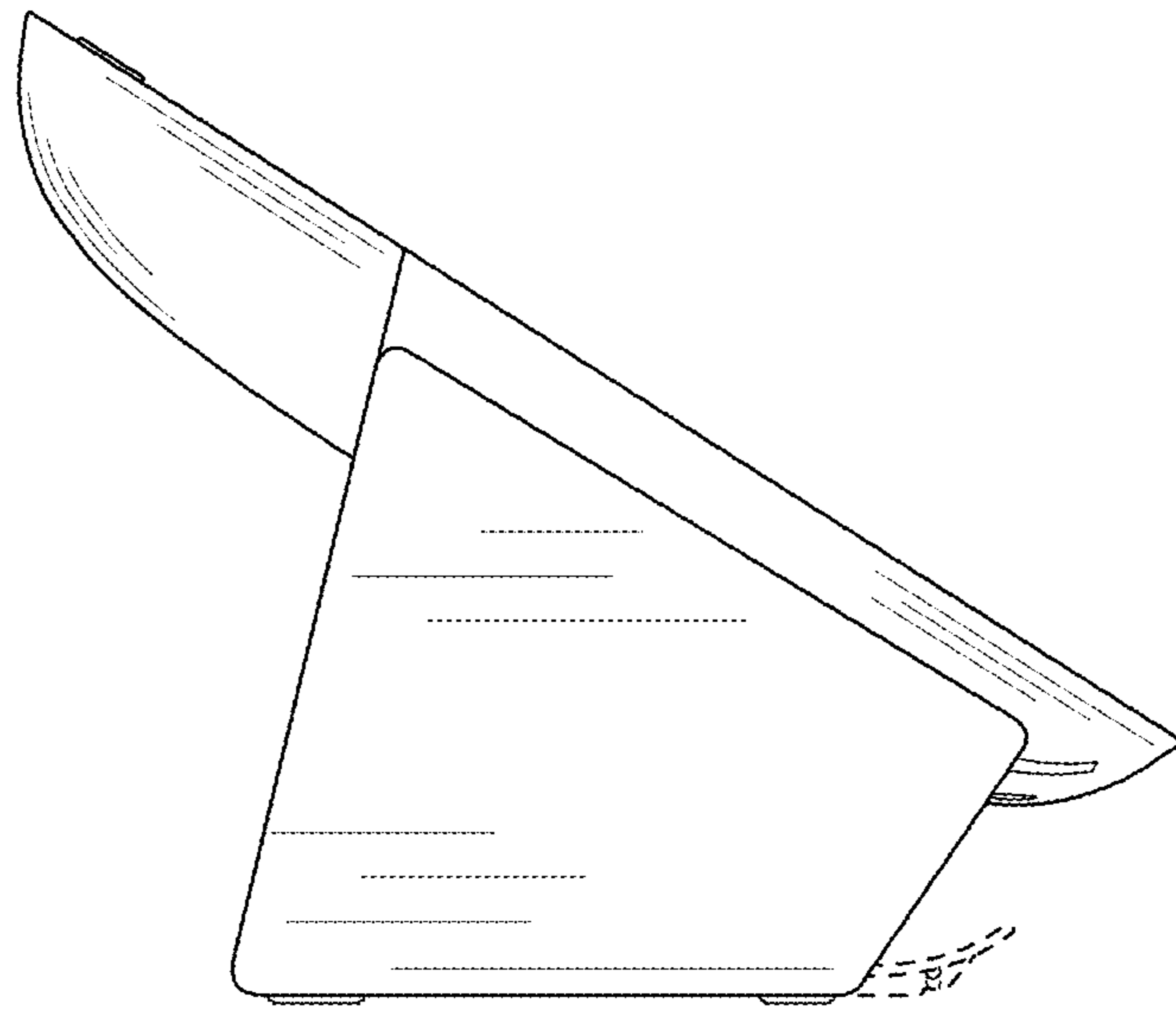


FIG. 6

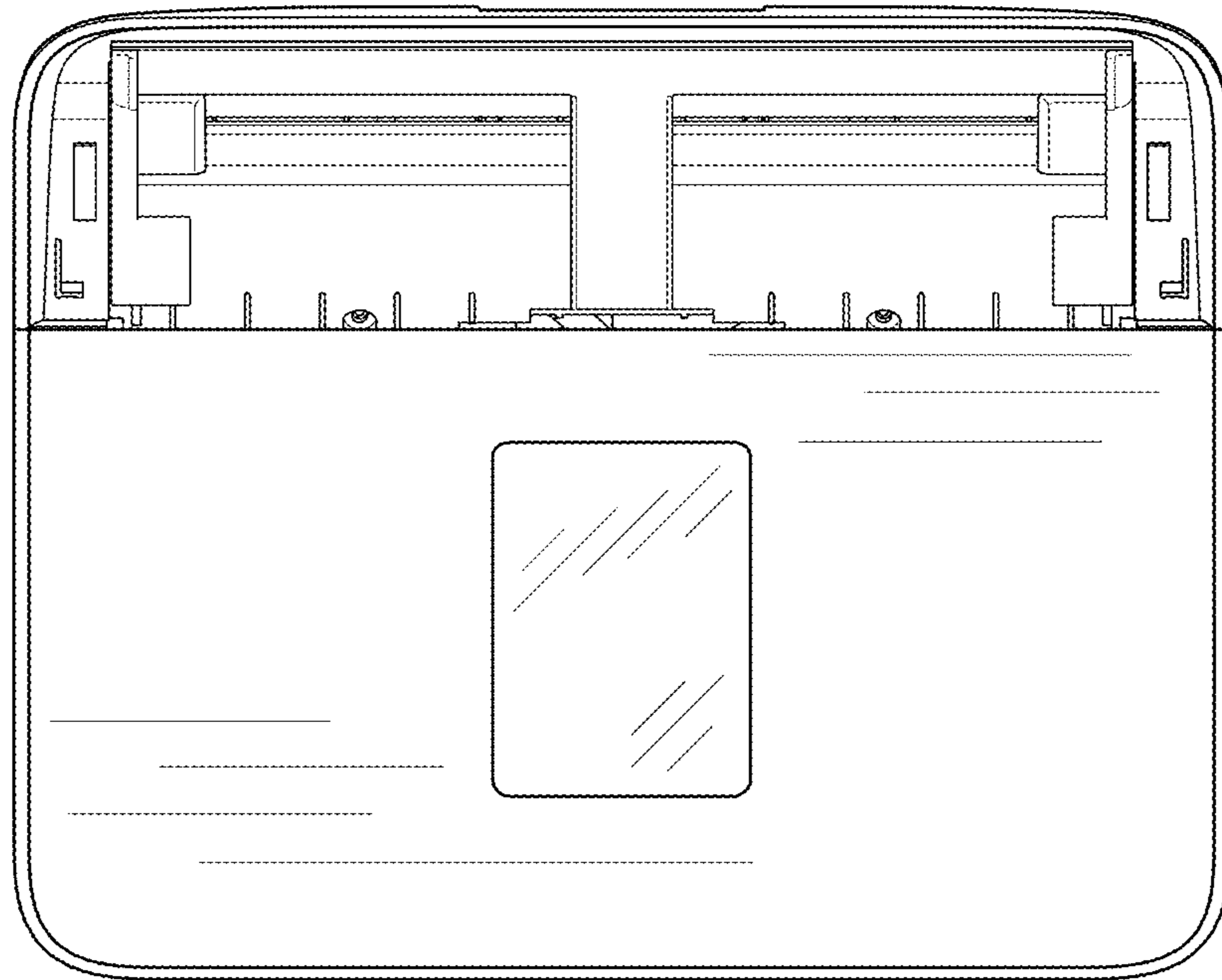


FIG. 7

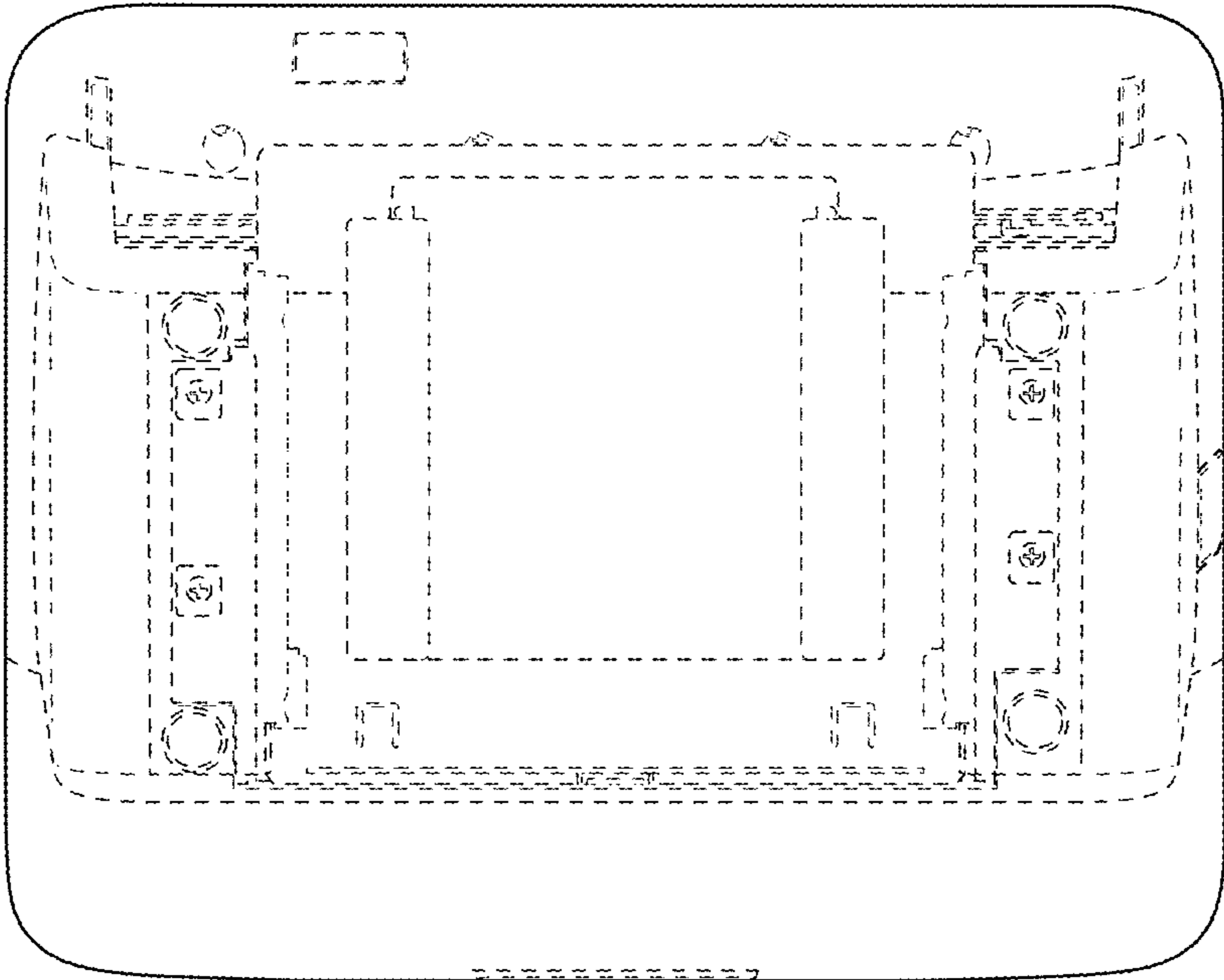


FIG. 8