

US00D708183S

(12) **United States Design Patent**  
**Thompson et al.**

(10) **Patent No.:** **US D708,183 S**  
(45) **Date of Patent:** **\*\* Jul. 1, 2014**

(54) **DATA READER FOR CHECKOUT STATION**

(75) Inventors: **Ryan B. Thompson**, Eugene, OR (US);  
**Jeffrey J. Hoskinson**, Eugene, OR (US);  
**Michael P. Svetal**, Eugene, OR (US);  
**Brianne E. Howard**, Eugene, OR (US);  
**David J. Newman**, Eugene, OR (US)

(73) Assignee: **Datalogic ADC, Inc.**, Eugene, OR (US)

(\*\*) Term: **14 Years**

(21) Appl. No.: **29/424,249**

(22) Filed: **Jun. 8, 2012**

(51) **LOC (10) Cl.** ..... **14-02**

(52) **U.S. Cl.**  
USPC ..... **D14/421; D14/423**

(58) **Field of Classification Search**  
USPC ..... D14/420–425, 462–470, 389, 125, 399,  
D14/453; D18/50, 54, 55, 53, 36–39, 14,  
D18/18–21, 49, 52, 51, 54.4; 358/400, 401,  
358/448, 474, 486–488, 496; 382/312, 317,  
382/321, 315; 400/613, 613.1–613.4,  
400/690.1–690.4, 691–694, 88, 175;  
399/107, 379, 380, 211, 212;  
235/462.11, 462.41, 472.01, 470,  
235/462.43; 361/680, 681  
See application file for complete search history.

(56) **References Cited**

**U.S. PATENT DOCUMENTS**

4,565,430	A	1/1986	Grunwald
4,933,539	A	6/1990	Stewart et al.
D320,011	S	9/1991	Fulton et al.
D320,012	S	9/1991	Fulton et al.
5,266,788	A	11/1993	Yamazaki et al.
D509,507	S	9/2005	Myles et al.
6,982,388	B2	1/2006	Kasinoff
7,416,118	B2	8/2008	Throckmorton et al.
7,533,819	B2	5/2009	Barkan et al.
7,845,563	B2	12/2010	Kotlarsky et al.
7,900,839	B2	3/2011	Kotlarsky et al.
8,079,526	B2	12/2011	Barkan et al.

**OTHER PUBLICATIONS**

Shearin et al., U.S. Appl. No. 61/647,937, filed May 16, 2012.  
Thompson et al., U.S. Appl. No. 61/657,634, filed Jun. 8, 2012.  
Thompson et al., U.S. Appl. No. 61/657,705, filed Jun. 8, 2012.  
Shearin et al., U.S. Appl. No. 61/657,732, filed Jun. 8, 2012.

(Continued)

*Primary Examiner* — Susan Moon Lee

(74) *Attorney, Agent, or Firm* — Stoel Rives LLP

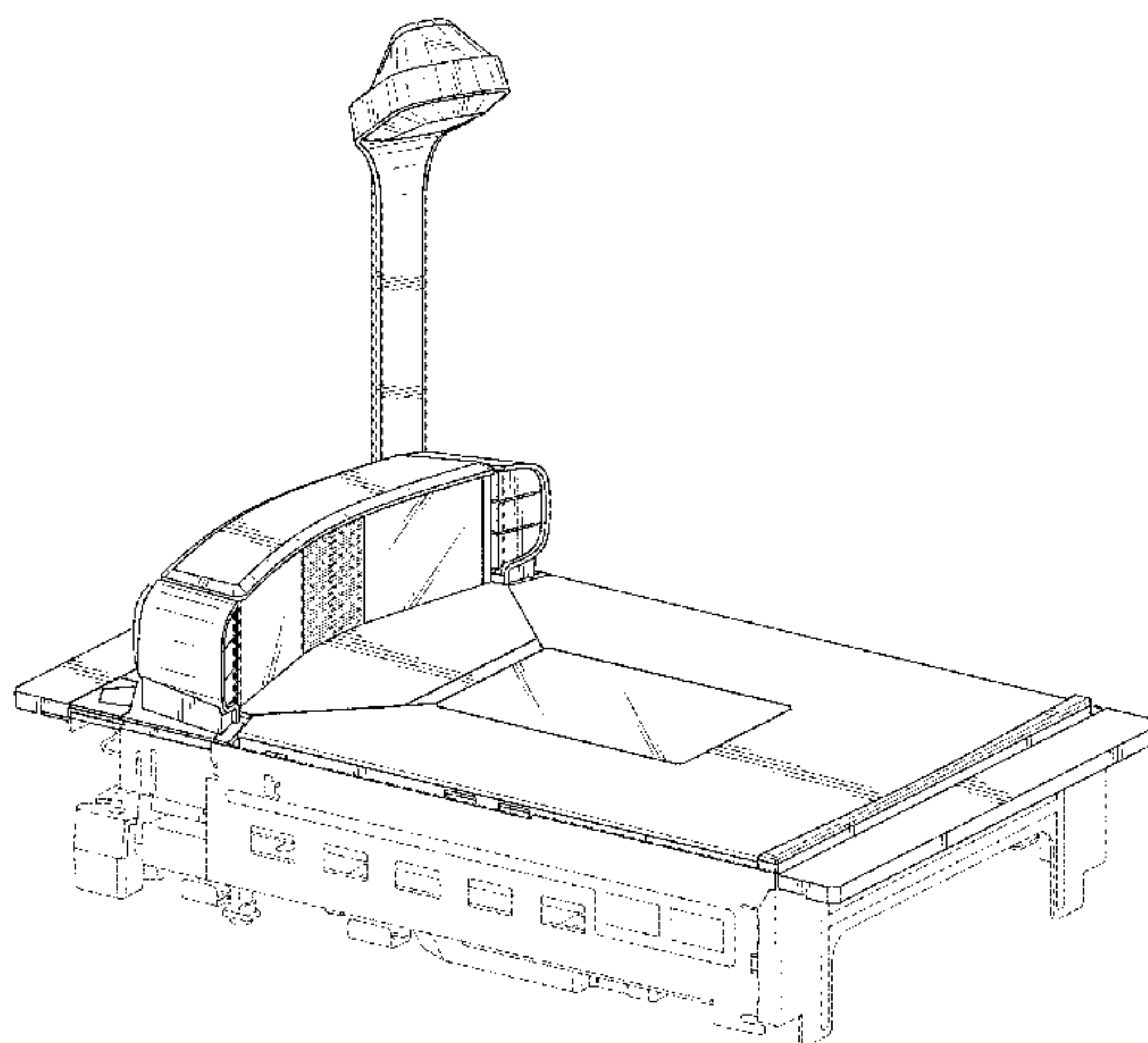
(57) **CLAIM**

An ornamental design of a data reader for checkout station, as shown and described.

**DESCRIPTION**

FIG. 1 is a front, top, left isometric view of a data reader for checkout station showing the new design; FIG. 2 is a rear left isometric view thereof; FIG. 3 is a right side elevation view thereof; FIG. 4 is a left side elevation view thereof; FIG. 5 is a top plan view thereof; FIG. 6 is a front side elevation view thereof; FIG. 7 is a rear side elevation view thereof; FIG. 8 is a front, top, right isometric view thereof with the top down reader positioned on the left side. FIG. 9 is a front, top, left isometric view of an alternate configuration of the data reader for checkout station of FIGS. 1-8; FIG. 10 is a rear left isometric view thereof; FIG. 11 is a right side elevation view thereof; FIG. 12 is a left side elevation view thereof; FIG. 13 is a top plan view thereof; FIG. 14 is a front side elevation view thereof; and, FIG. 15 is a rear side elevation view thereof. The broken lines in FIGS. 1-15 are for illustrative purposes only and form no part of the claimed design. The bottom views are omitted as forming no part of the claimed design.

**1 Claim, 12 Drawing Sheets**



(56)

**References Cited**

OTHER PUBLICATIONS

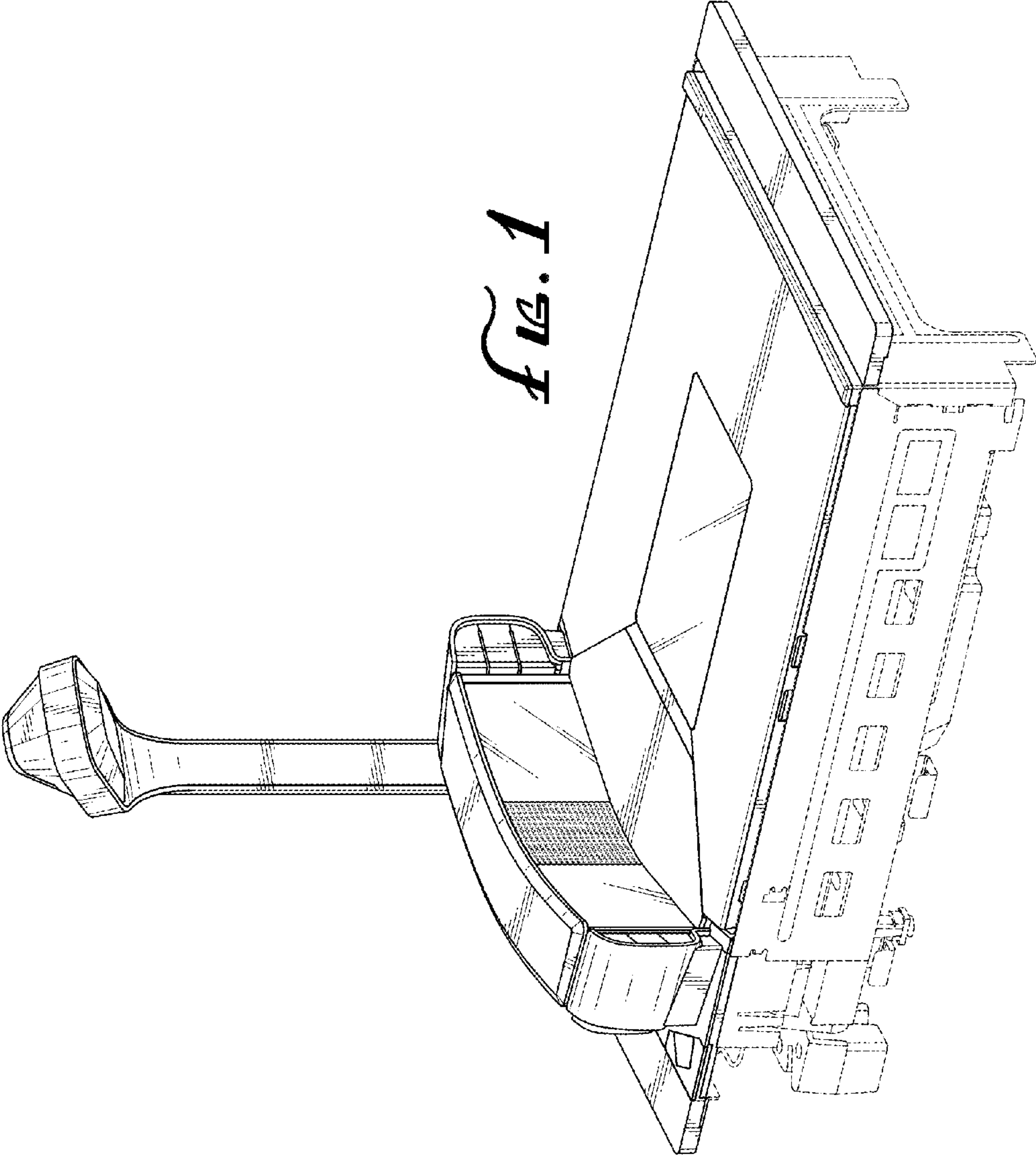
Thompson et al., U.S. Appl. No. 61/657,690, filed Jun. 8, 2012.

Shearin et al., U.S. Appl. No. 13/895,258, filed May 15, 2013.

Thompson et al., U.S. Appl. No. 13/912,115, filed Jun. 6, 2013.

Shearin et al., U.S. Appl. No. 13/913,034, filed Jun. 7, 2013.

Thompson et al., U.S. Appl. No. 13/911,850, filed Jun. 6, 2013.



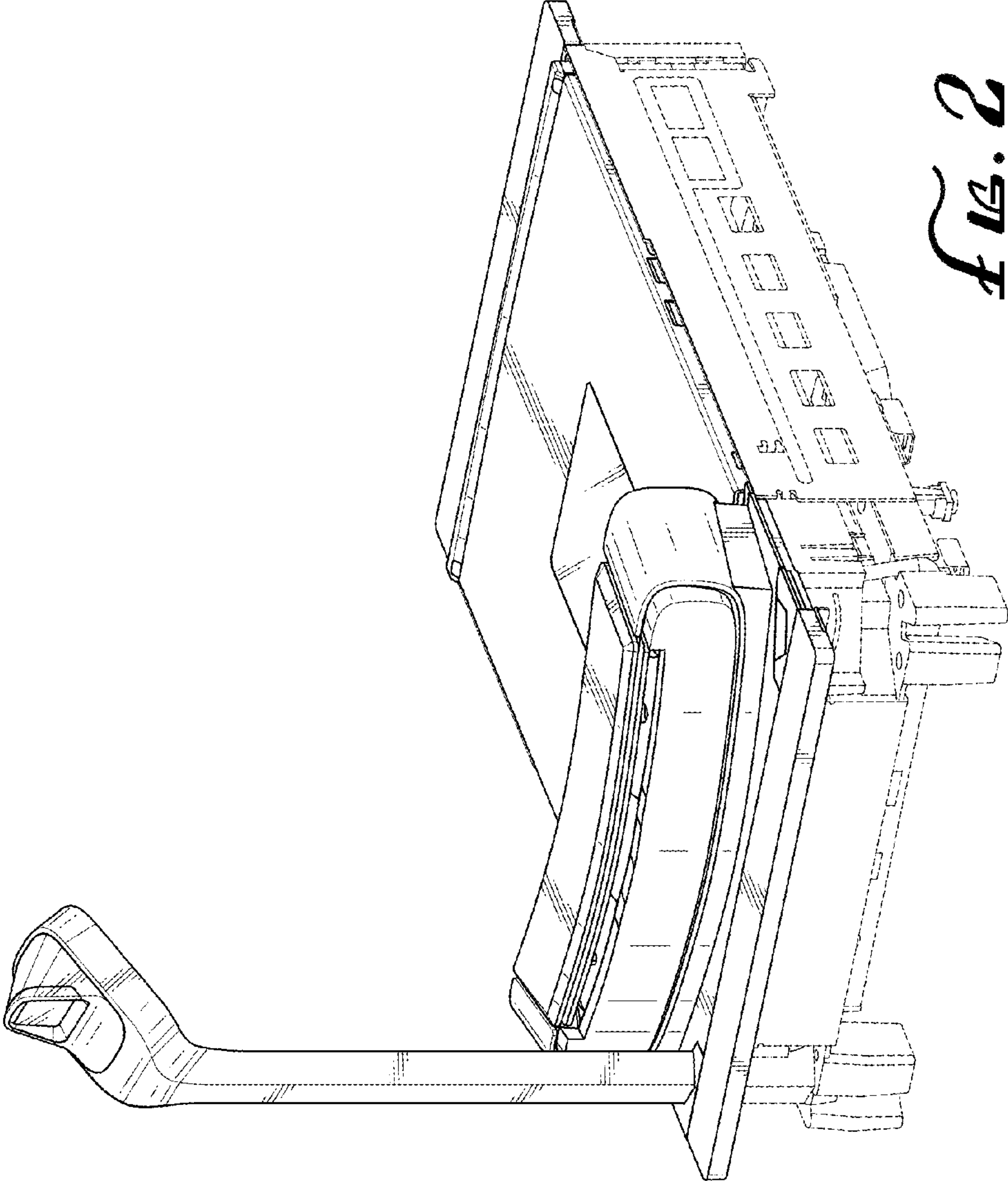


FIG. 2

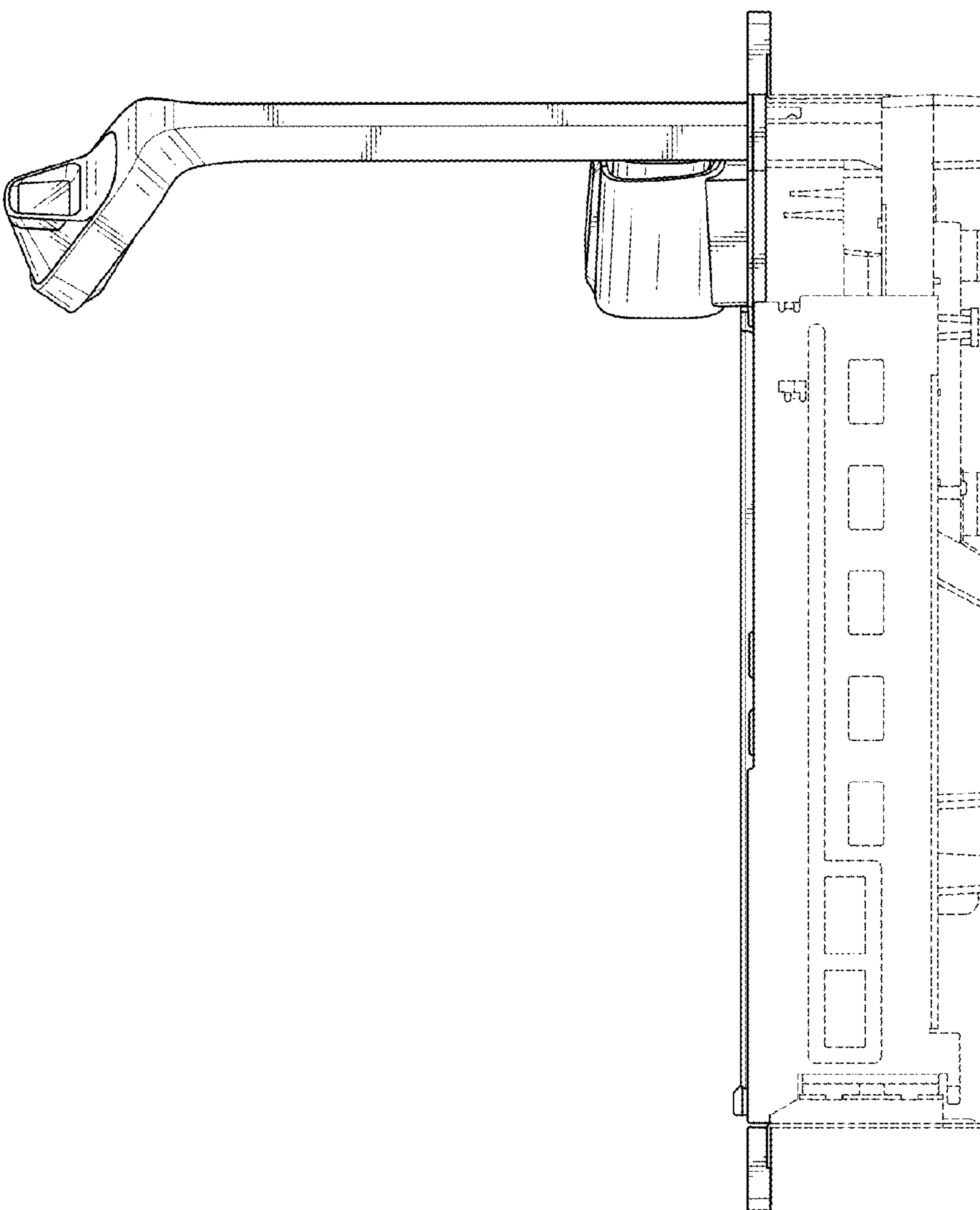
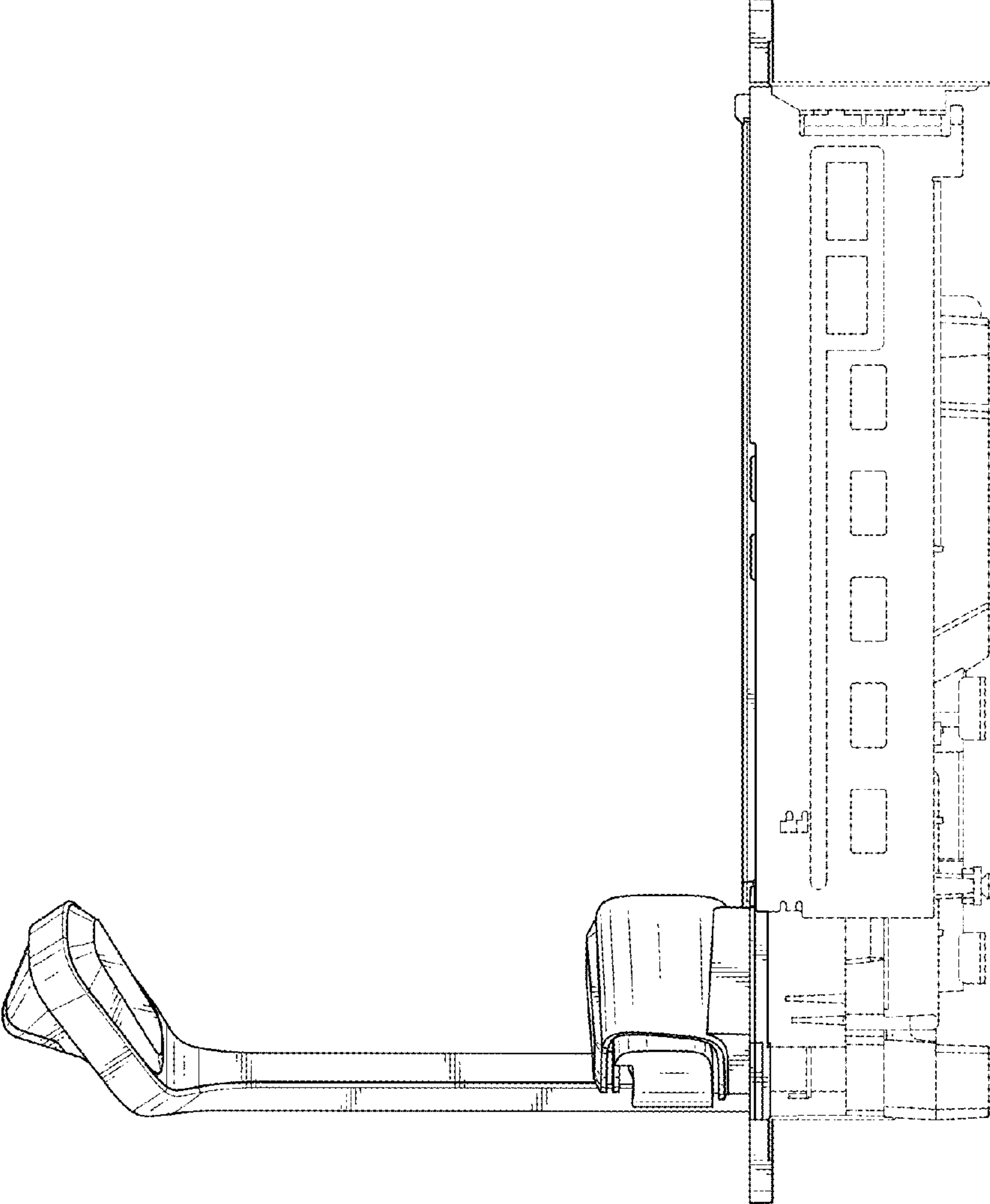


Fig. 3





*FIG. 4*

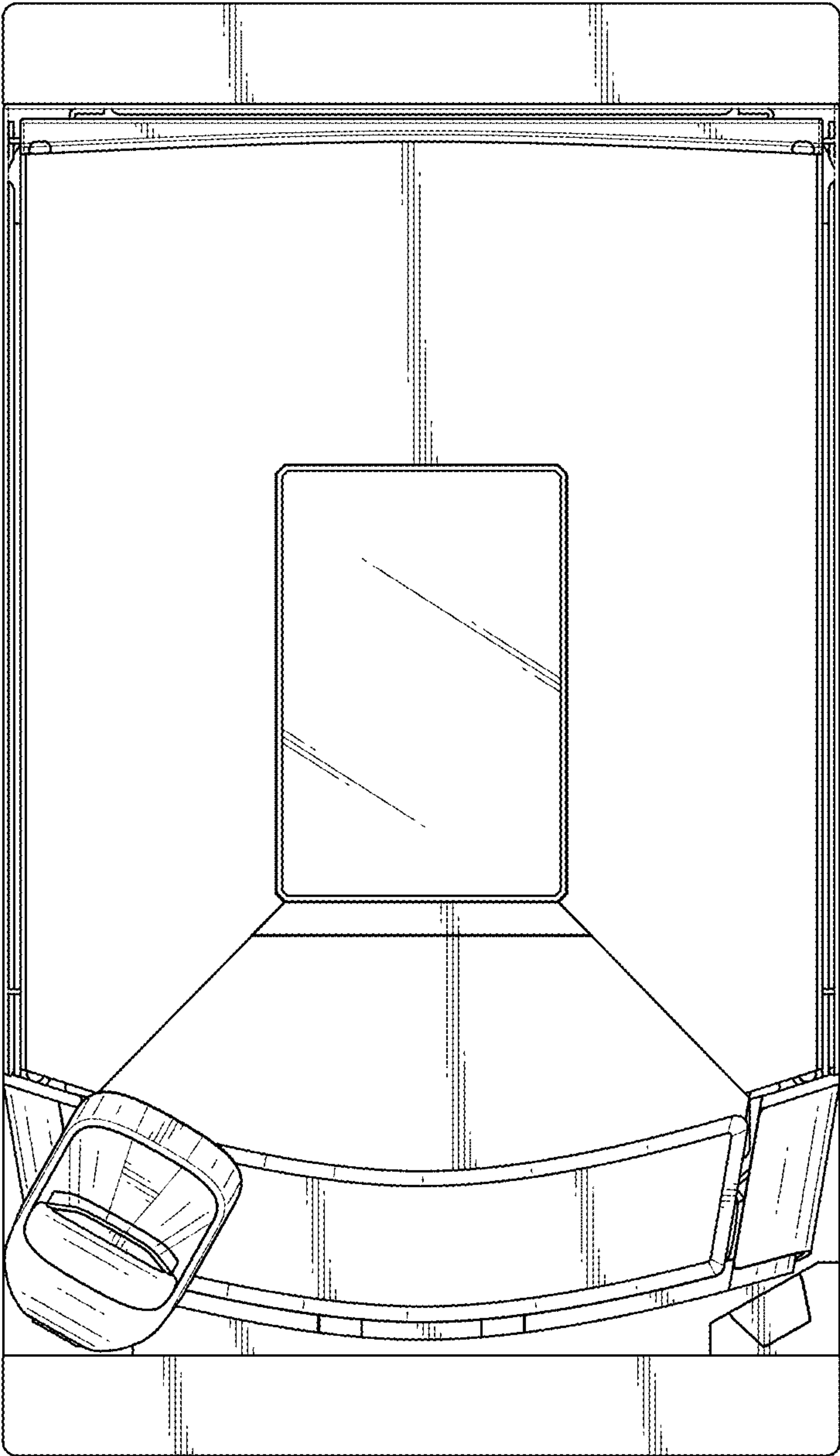


FIG. 5

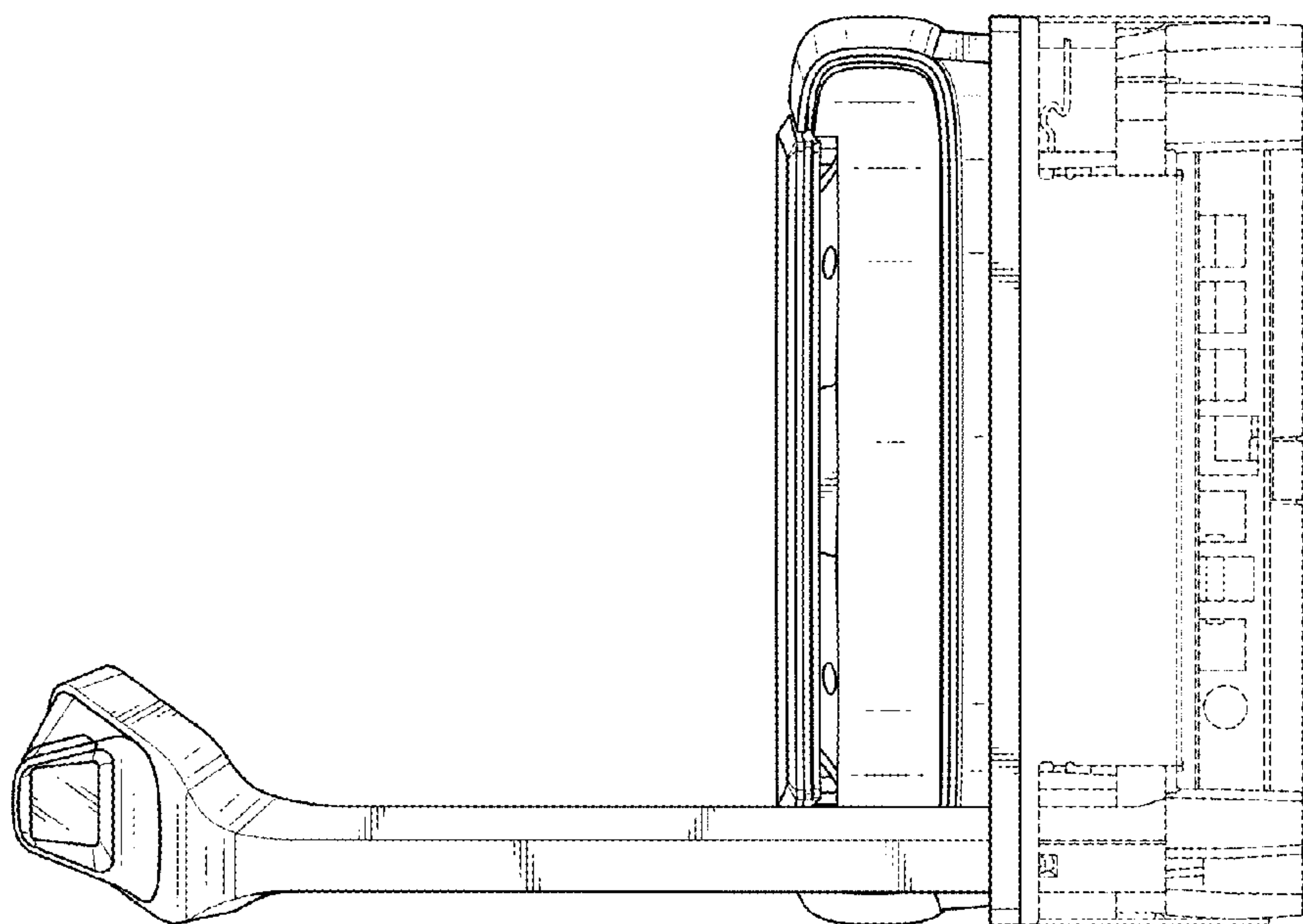


FIG. 7

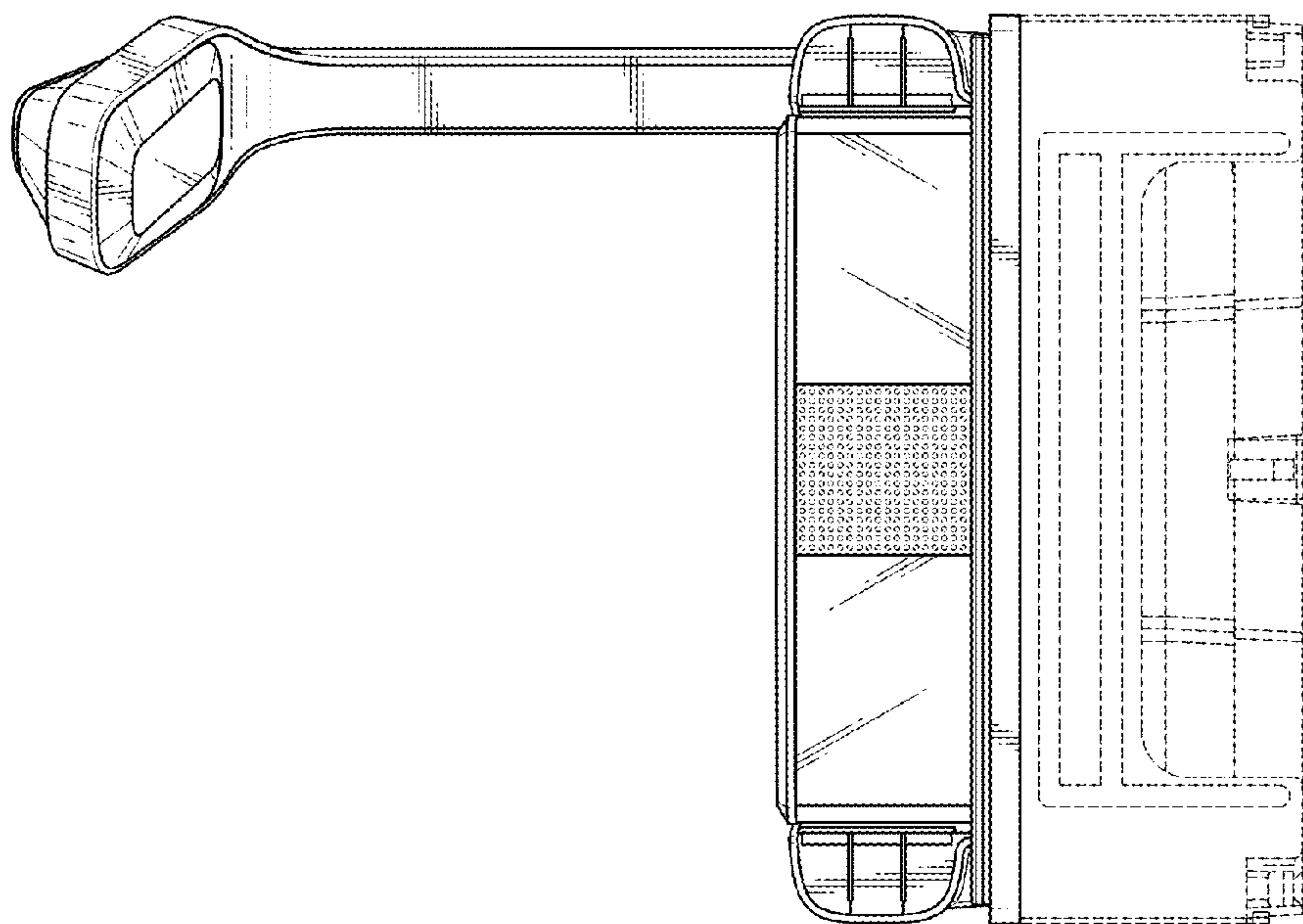
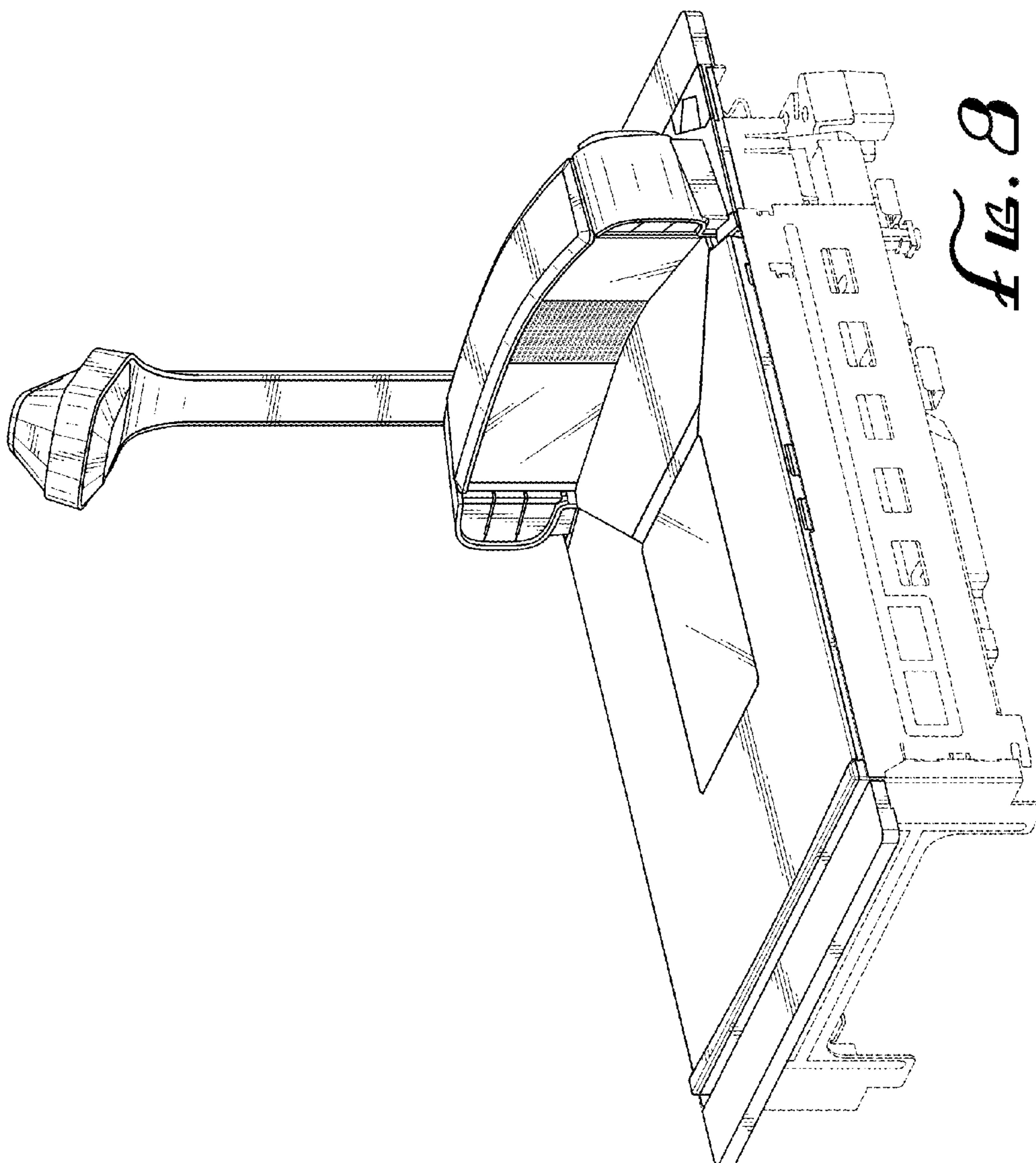
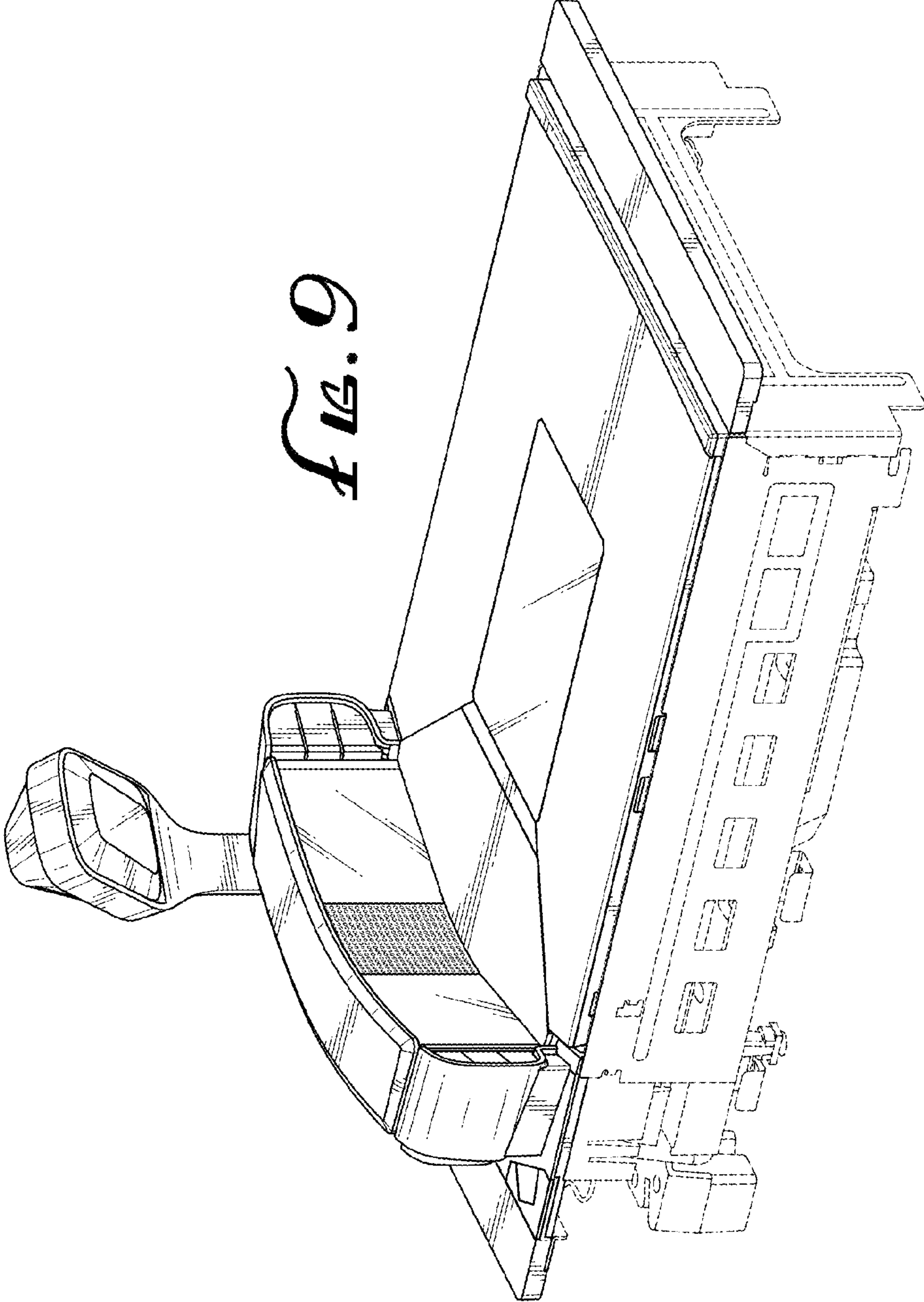
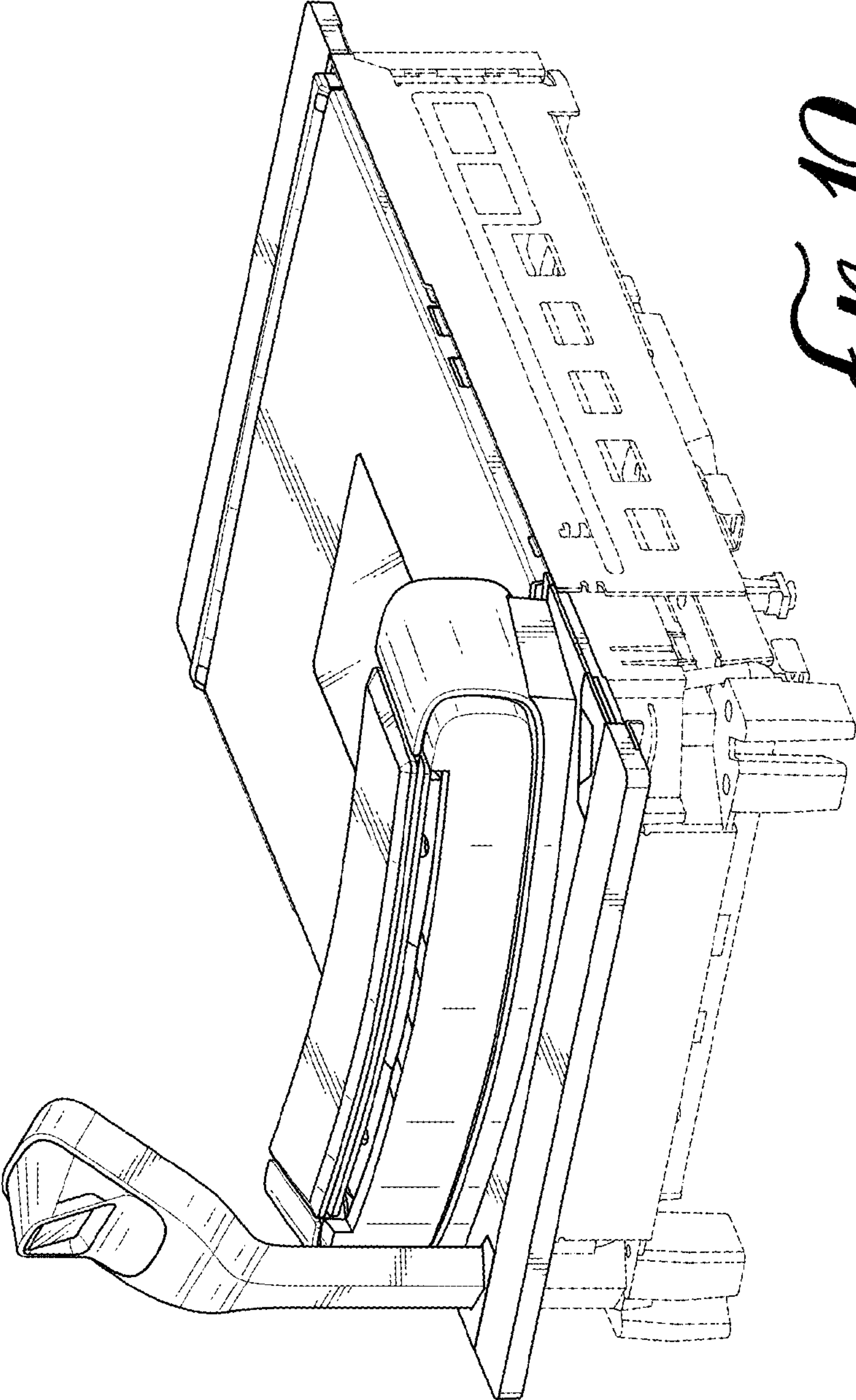


FIG. 8

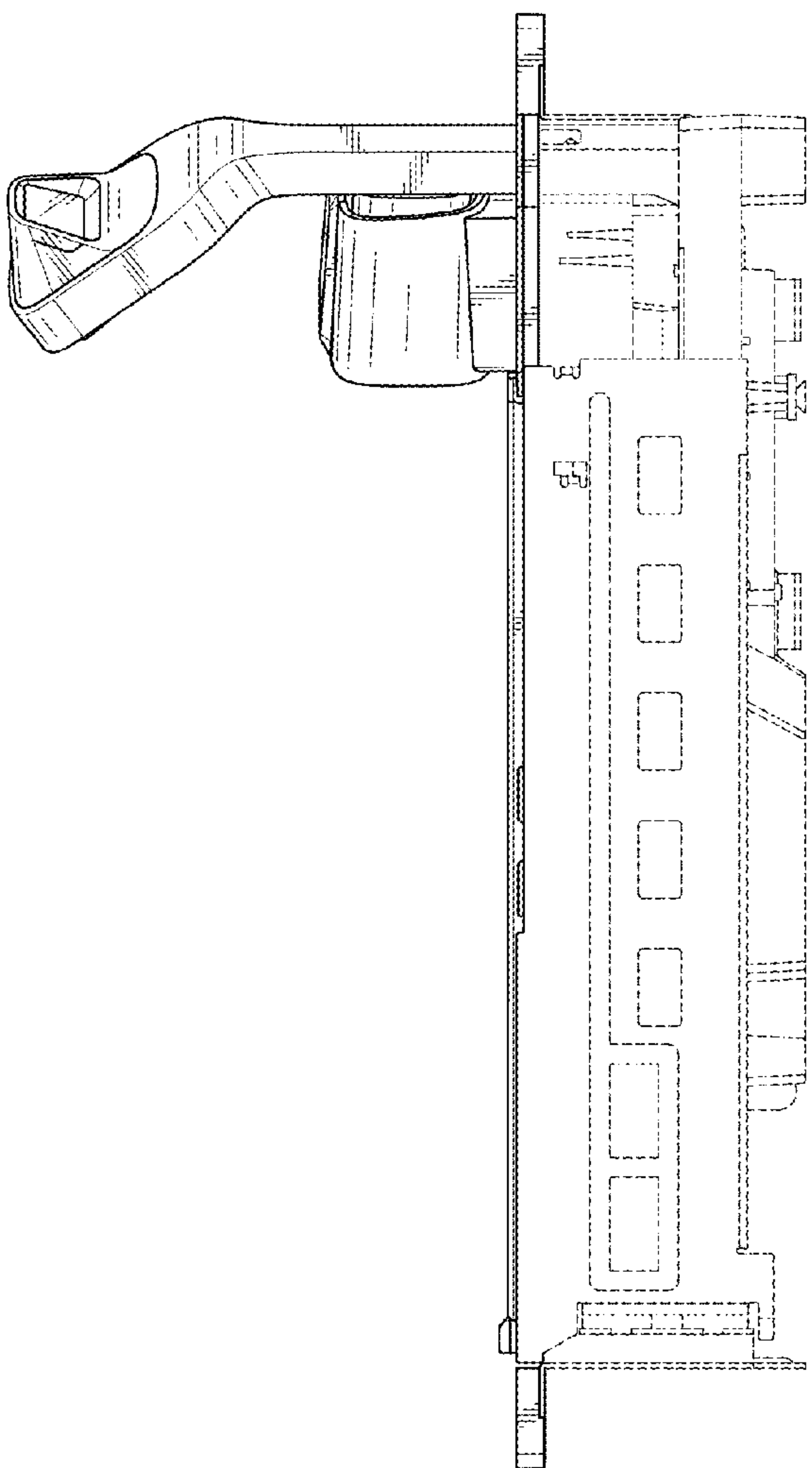




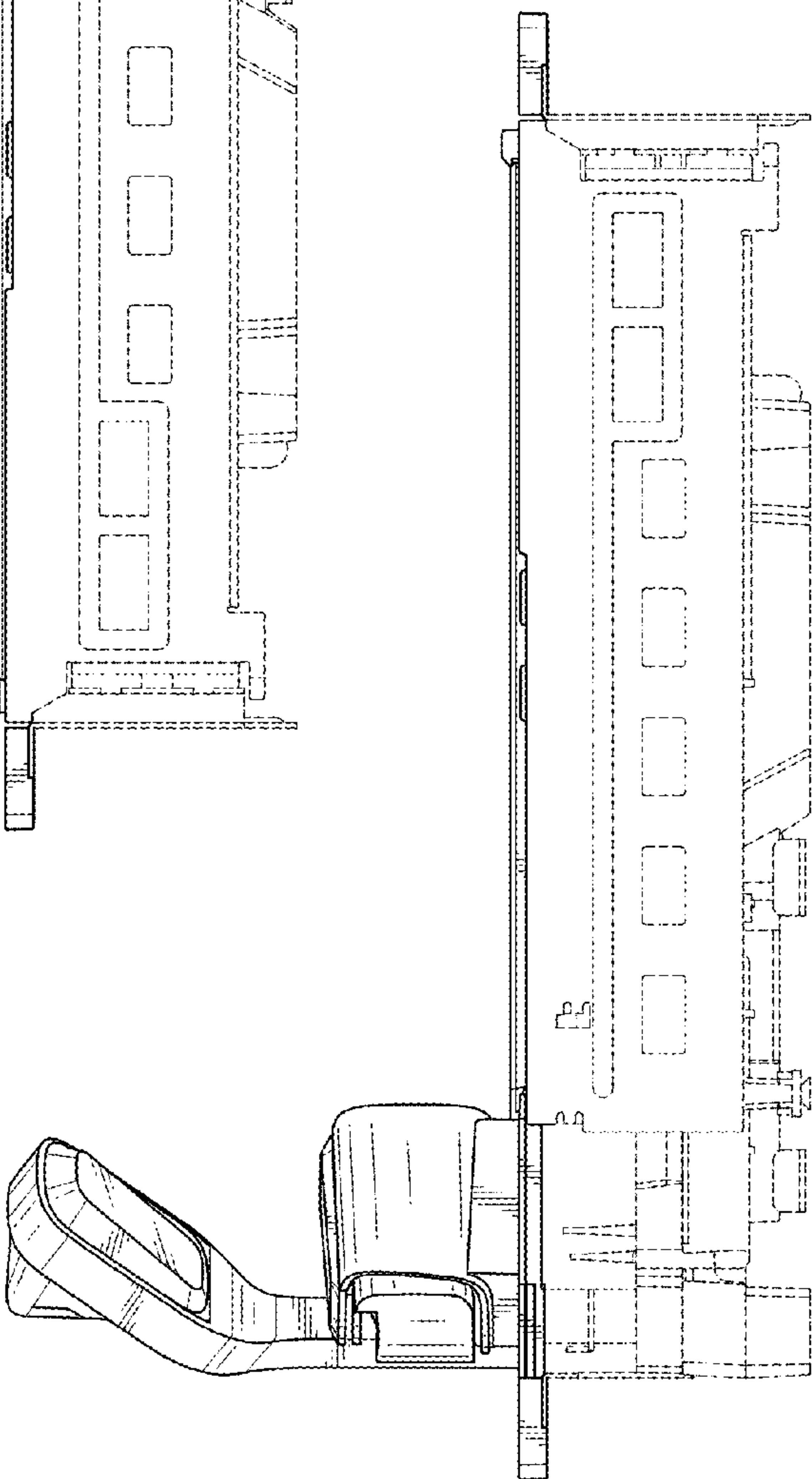




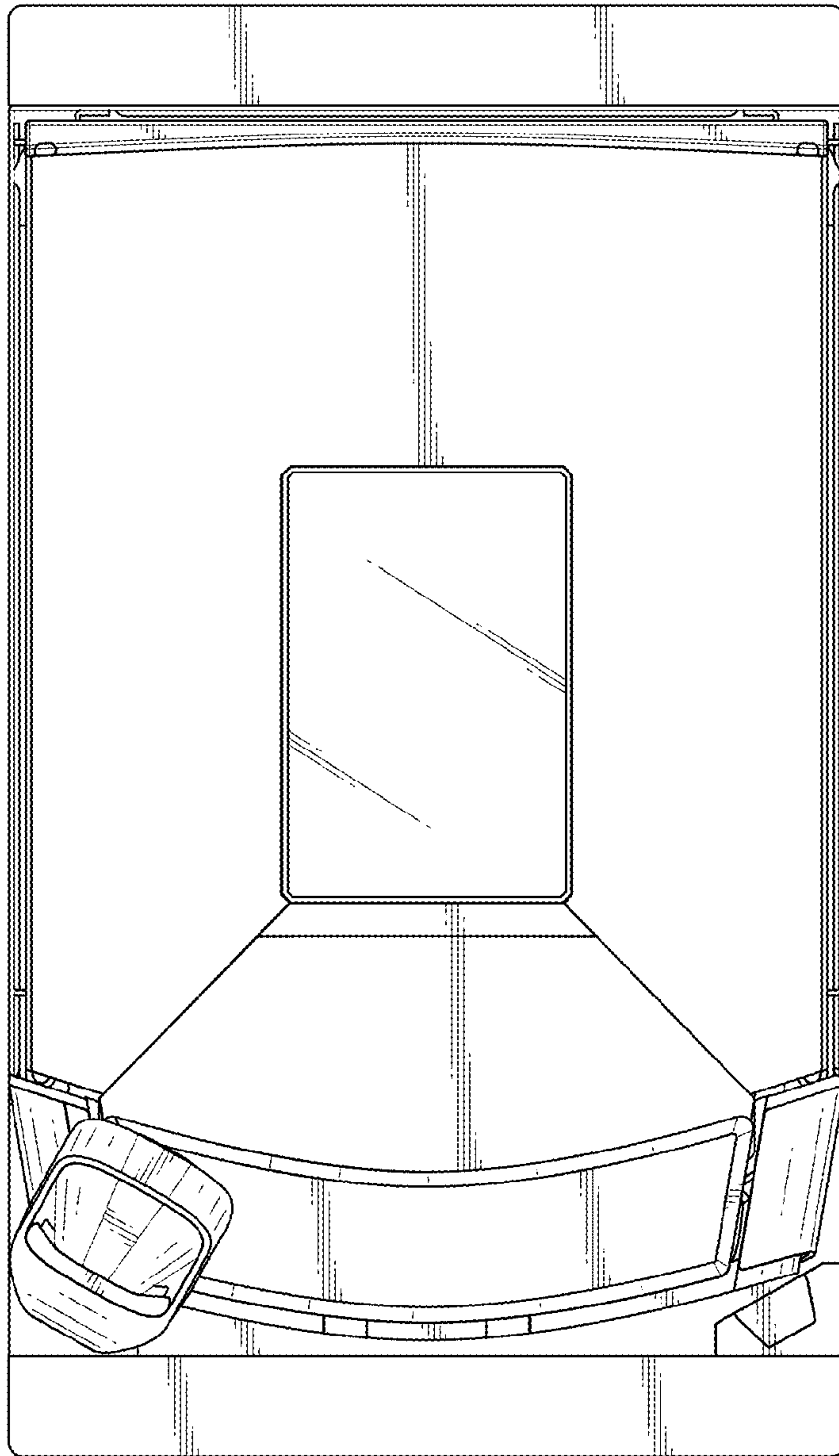
*FIG. 10*



*FIG. 11*

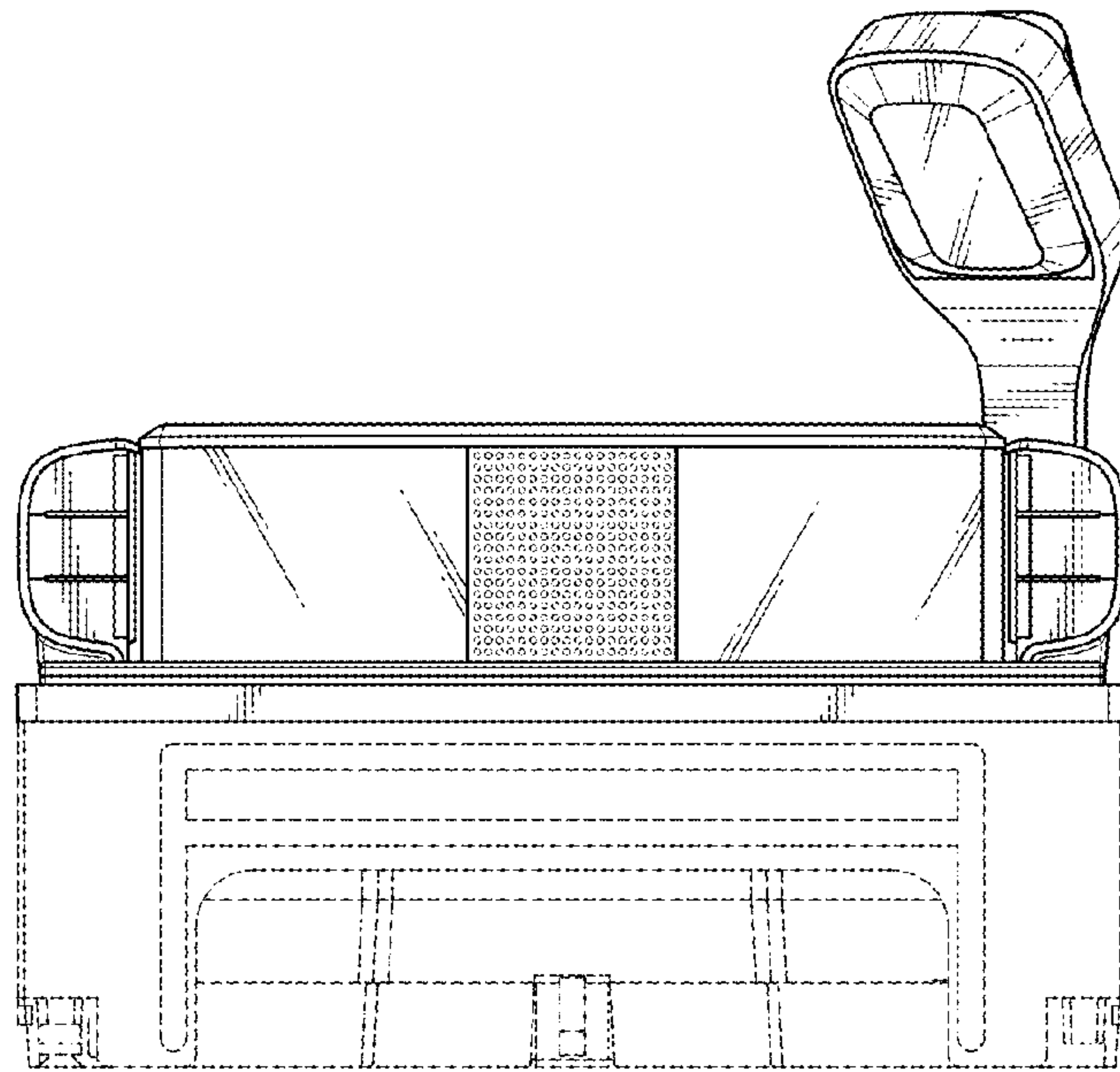


*FIG. 12*

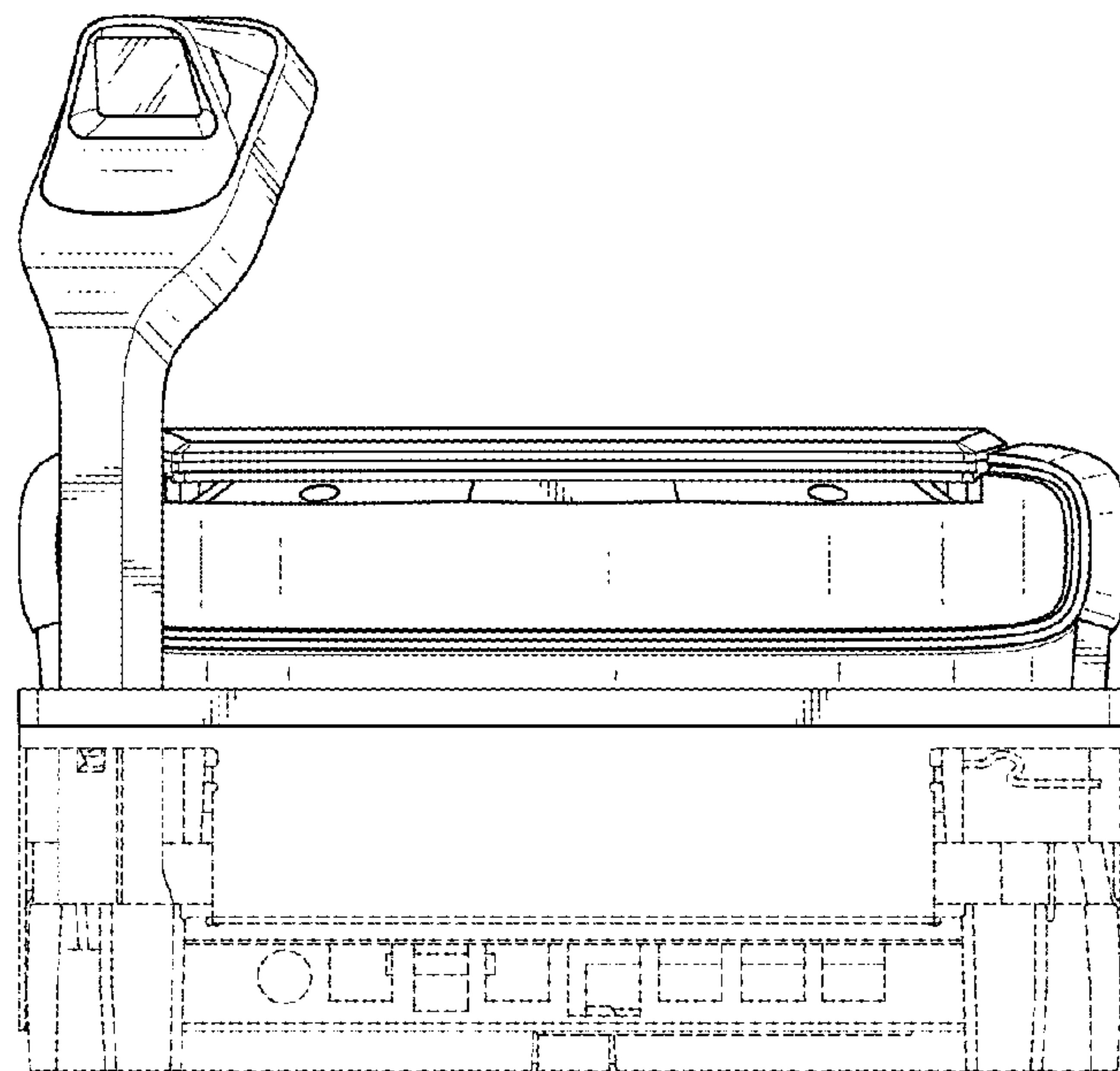


*FIG. 13*





*FIG. 14*



*FIG. 15*