



US00D708180S

(12) **United States Design Patent**
Lee et al.

(10) **Patent No.:** **US D708,180 S**
(45) **Date of Patent:** **** Jul. 1, 2014**

(54) **MOBILE DISPLAY DEVICE**
(71) Applicant: **Samsung Display Co., Ltd.**, Yongin-si (KR)
(72) Inventors: **Yong-Joon Lee**, Yongin-si (KR);
Hae-Kang Lee, Yongin-si (KR);
Woo-Jong Lee, Yongin-si (KR)
(73) Assignee: **Samsung Display Co., Ltd.**, Yongin-si (KR)
(**) Term: **14 Years**

D580,432 S * 11/2008 Yun et al. D14/345
D584,726 S * 1/2009 Morita D14/341
D585,444 S * 1/2009 Verschoor D14/345
D610,612 S * 2/2010 Rhee D19/26
D618,683 S * 6/2010 Wilson et al. D14/371
D624,517 S * 9/2010 Lee et al. D14/138 AB
D626,124 S * 10/2010 Chyan et al. D14/341
D631,043 S * 1/2011 Kell D14/341
D631,455 S * 1/2011 Kim et al. D14/138 AB
D635,567 S * 4/2011 Rashid et al. D14/341
D639,806 S * 6/2011 Lee et al. D14/345
D641,353 S * 7/2011 Rashid et al. D14/341
D644,219 S * 8/2011 Sawada D14/345
D650,780 S * 12/2011 Rashid et al. D14/341
D658,173 S * 4/2012 Kim D14/345

(Continued)

(21) Appl. No.: **29/440,984**
(22) Filed: **Dec. 28, 2012**
(30) **Foreign Application Priority Data**
Nov. 21, 2012 (KR) 30-2012-0055681
Nov. 21, 2012 (KR) 30-2012-0055682
(51) **LOC (10) Cl.** **14-02**
(52) **U.S. Cl.**
USPC **D14/345**
(58) **Field of Classification Search**
USPC D14/341-347, 336, 337, 371, 374, 138,
D14/496; D10/65; 345/173, 901, 104, 133,
345/156, 168; 348/180, 184, 325, 739, 373,
348/376; 385/88; 710/62; 455/575.3, 575.1
See application file for complete search history.

FOREIGN PATENT DOCUMENTS

JP 2006-47408 2/2006
KR 30-0596470 4/2011

Primary Examiner — Barbara Fox

(74) *Attorney, Agent, or Firm* — Christie, Parker & Hale, LLP

(57) **CLAIM**

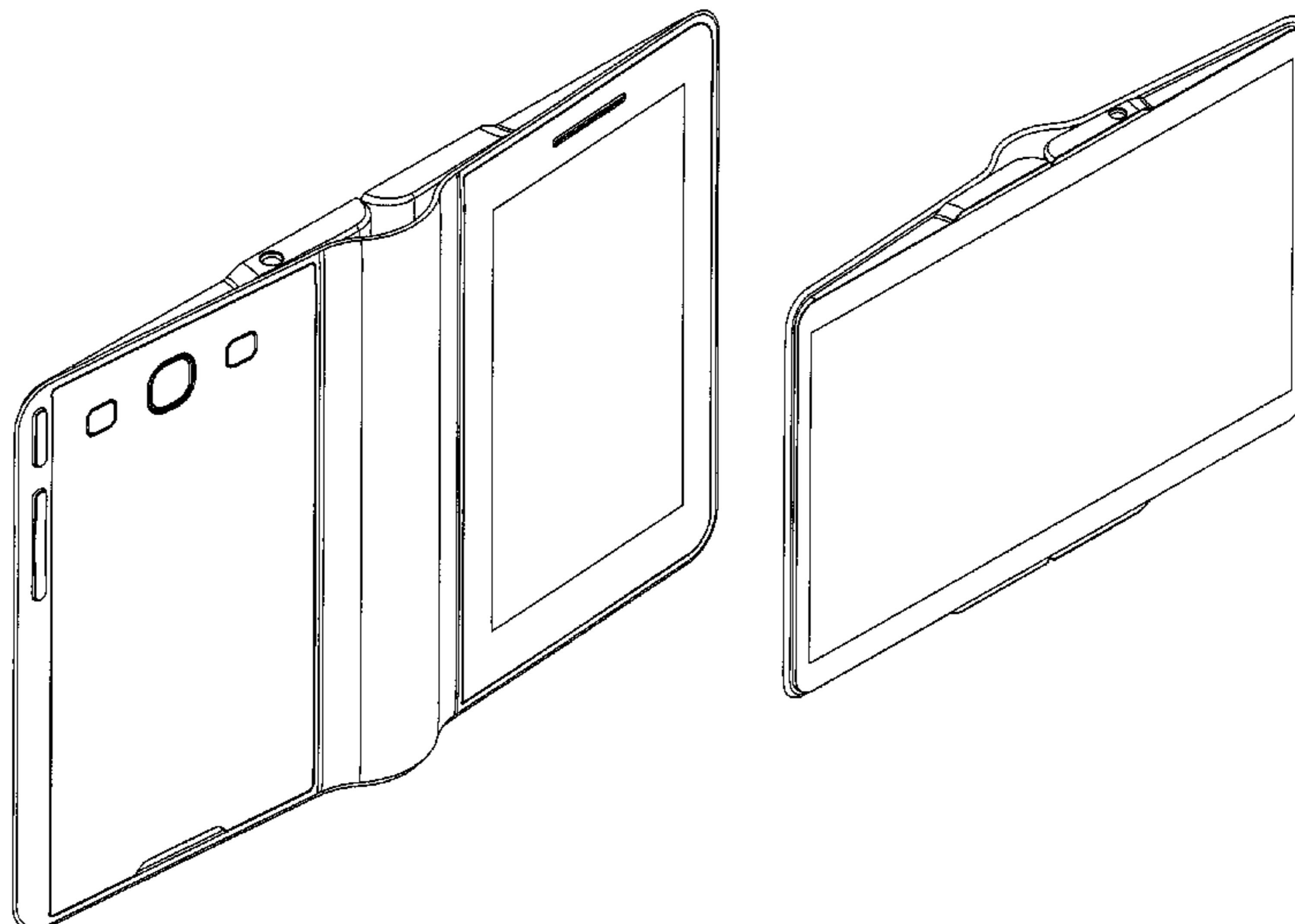
The ornamental design for mobile display device, as shown and described.

DESCRIPTION

FIG. 1 is a front perspective view of a mobile display device showing the new design;
FIG. 2 is a front view thereof;
FIG. 3. is a rear perspective view thereof;
FIG. 4 is a rear view thereof;
FIG. 5 is a left side view thereof;
FIG. 6 is a right side view thereof;
FIG. 7 is a top view thereof; and
FIG. 8 is a bottom view thereof; and,
FIG. 9 is a perspective view illustrating a closed position of the mobile display device.

1 Claim, 8 Drawing Sheets

(56) **References Cited**
U.S. PATENT DOCUMENTS
D391,987 S * 3/1998 Jambhekar et al. D14/345
D445,787 S * 7/2001 Francis D14/345
D493,463 S * 7/2004 Takahashi D14/373
D507,567 S * 7/2005 Yonekawa et al. D14/345
D517,545 S * 3/2006 Buckel et al. D14/345
D555,656 S * 11/2007 Bishop et al. D14/448
7,408,698 B2 * 8/2008 Kuo et al. 359/296



(56)

References Cited

U.S. PATENT DOCUMENTS

D680,531 S * 4/2013 Honda et al. D14/345
D680,532 S * 4/2013 Reeves et al. D14/345
D685,781 S * 7/2013 Adams D14/315
D693,323 S * 11/2013 Kawase et al. D14/138 AB

D696,665 S * 12/2013 Nakano et al. D14/345
2006/0022910 A1 2/2006 Sekiya et al.
2007/0146307 A1* 6/2007 Kuo et al. 345/107
2008/0167095 A1* 7/2008 Kim et al. 455/575.3
2009/0231233 A1* 9/2009 Liberatore 345/1.3
2010/0177047 A1* 7/2010 Brenneman et al. 345/173
2013/0307816 A1* 11/2013 Lee et al. 345/174

* cited by examiner

FIG. 1

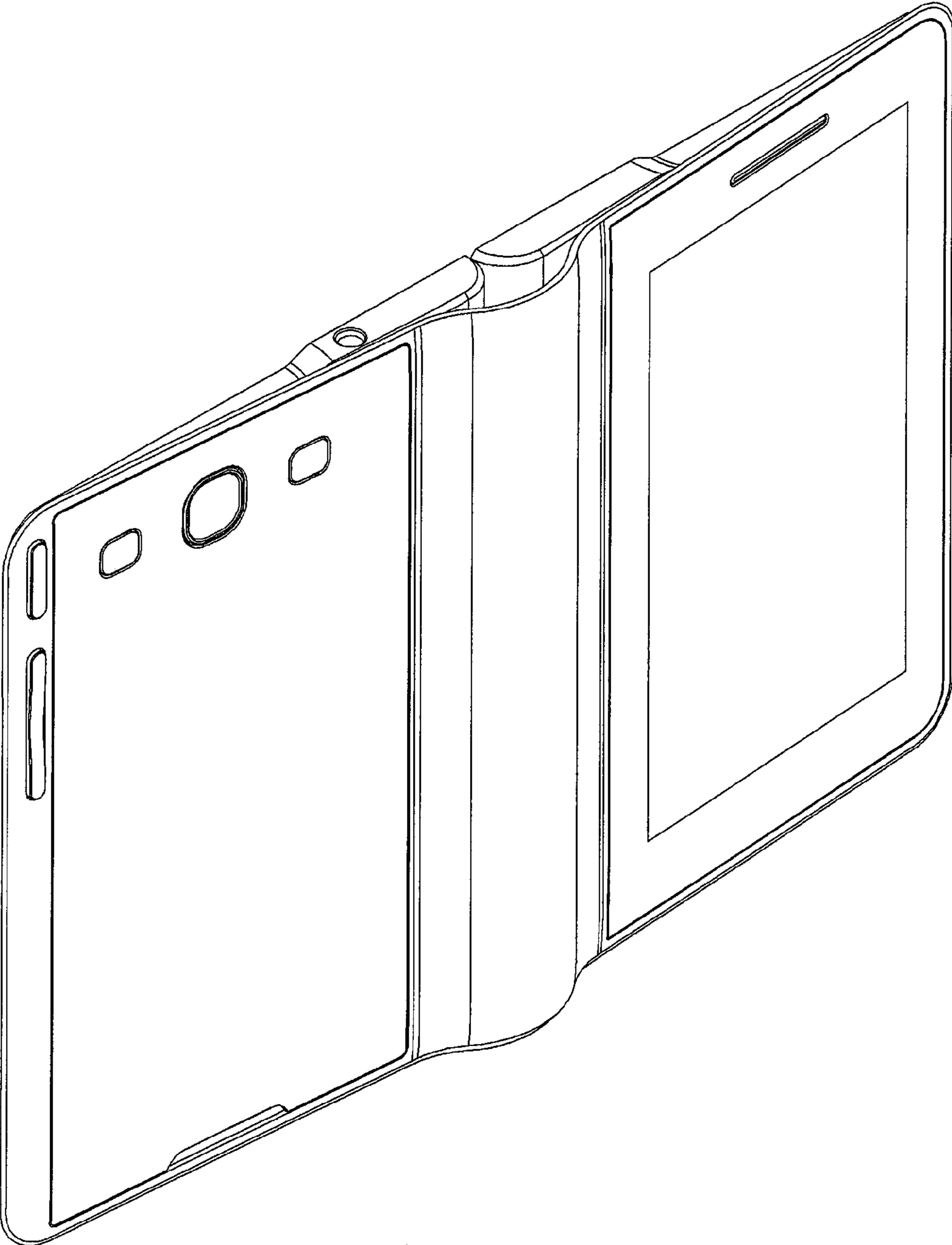


FIG. 2

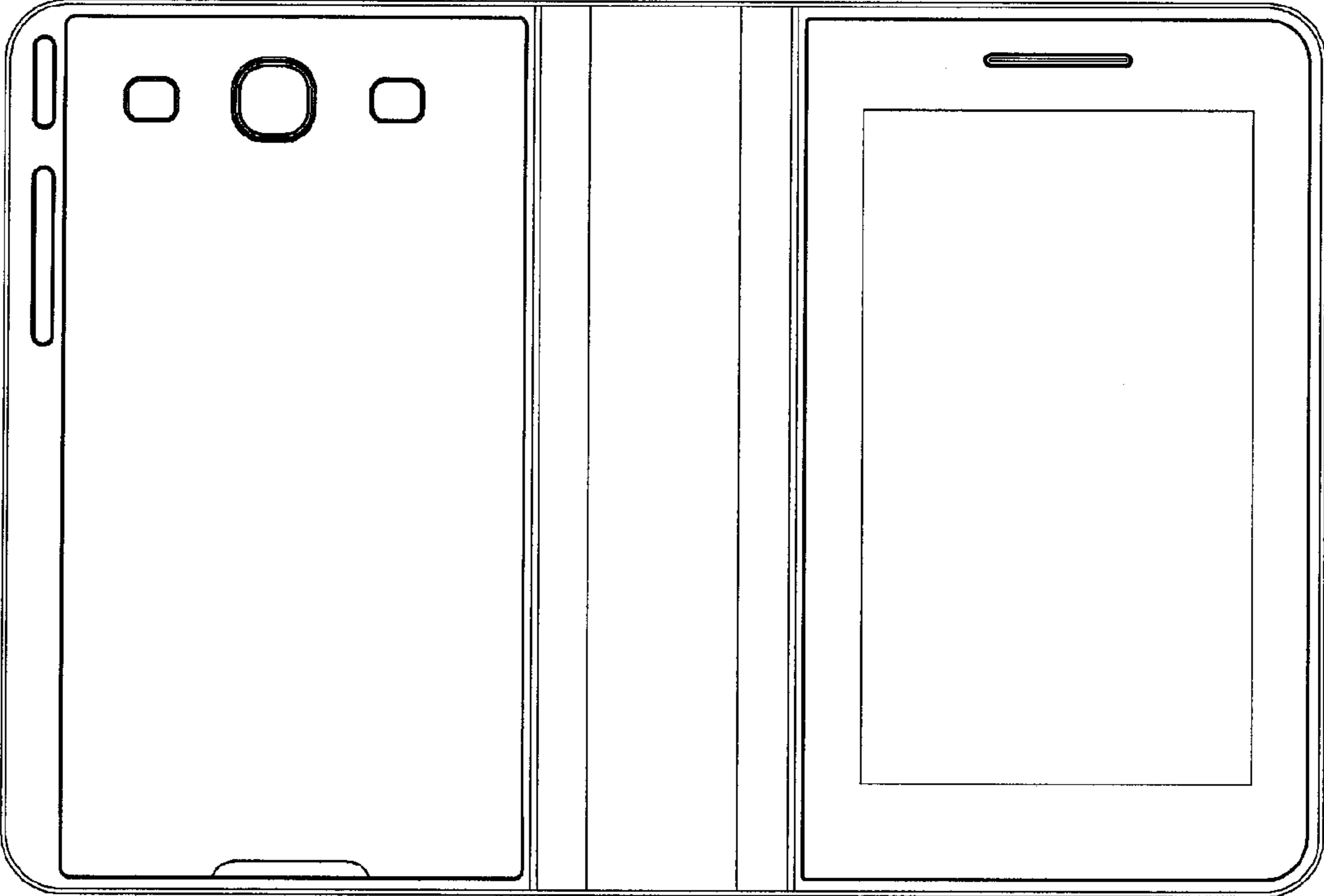


FIG. 3

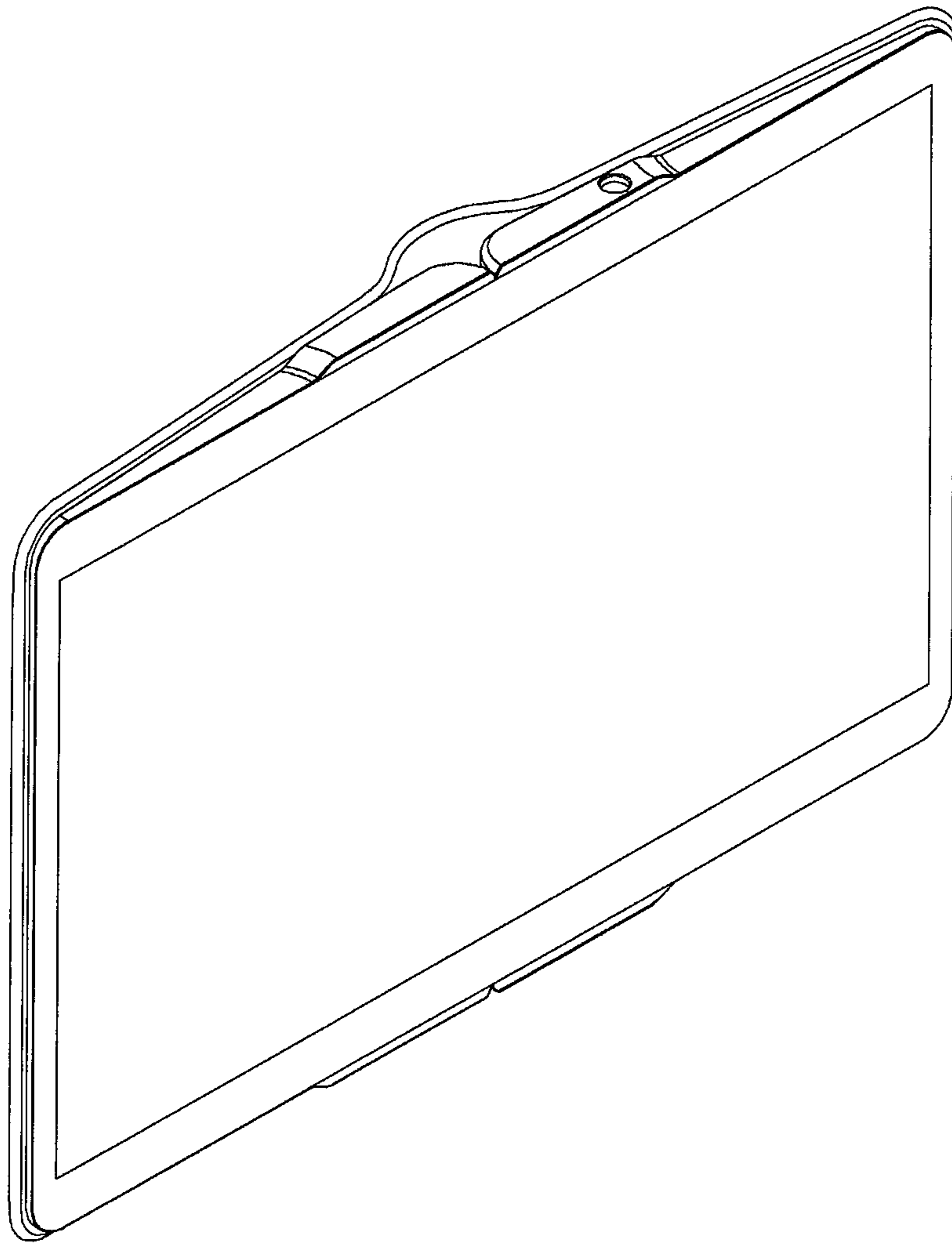


FIG. 4

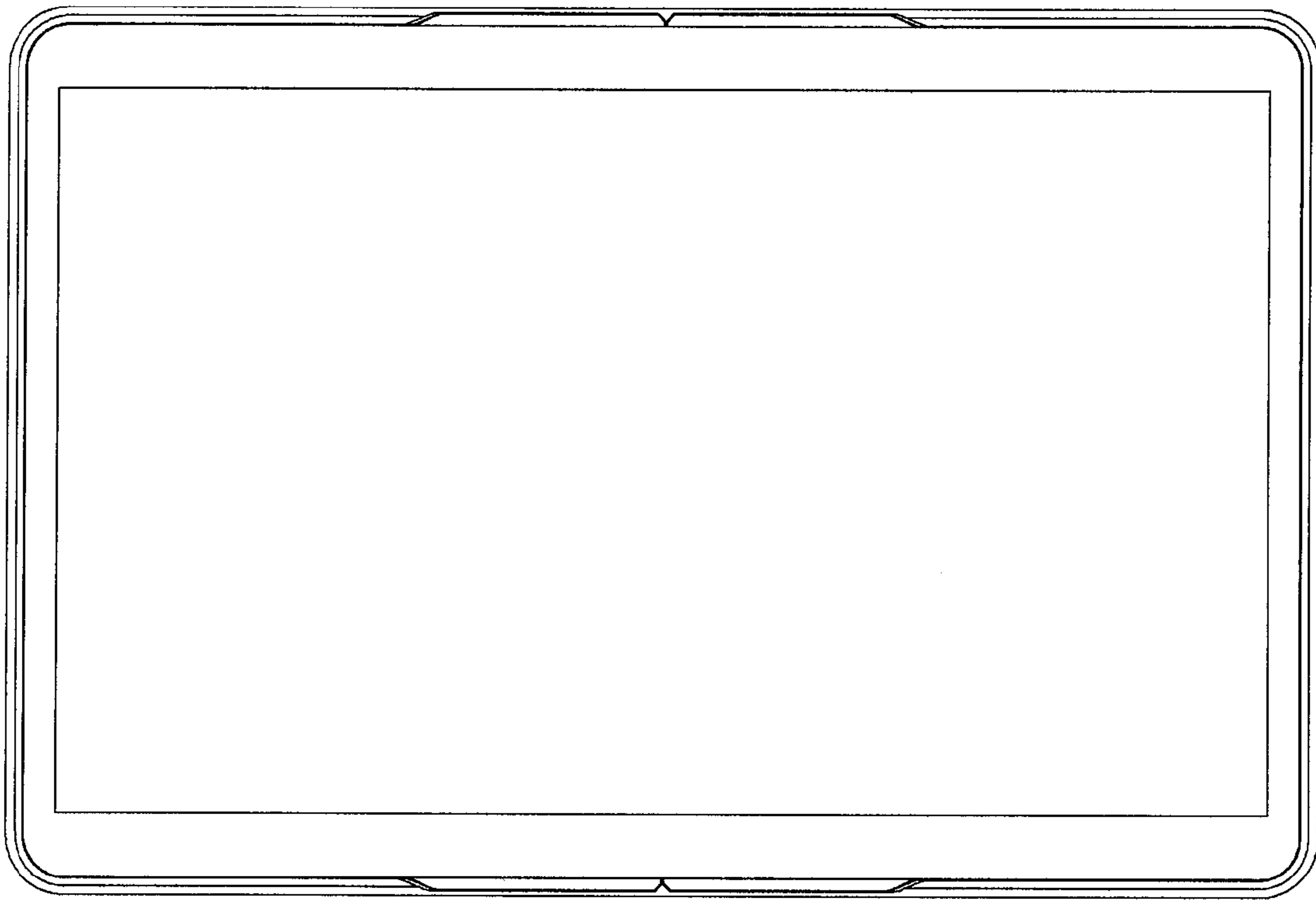


FIG. 5

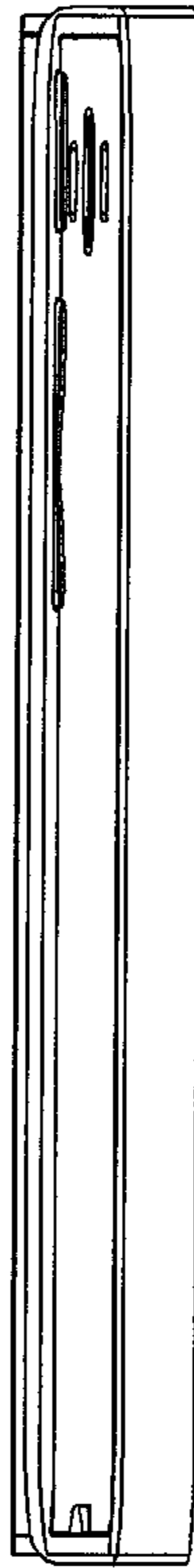


FIG. 6



FIG. 7

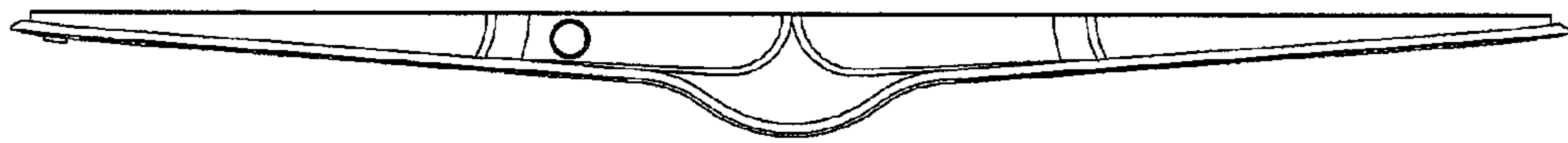


FIG. 8



FIG. 9

