



US00D708175S

(12) **United States Design Patent**
Oakley

(10) **Patent No.:** **US D708,175 S**

(45) **Date of Patent:** **** Jul. 1, 2014**

(54) **COMPUTING DEVICE**

(71) Applicant: **Nicholas W. Oakley**, Portland, OR (US)

(72) Inventor: **Nicholas W. Oakley**, Portland, OR (US)

(73) Assignee: **Intel Corporation**, Santa Clara, CA (US)

(**) Term: **14 Years**

(21) Appl. No.: **29/441,014**

(22) Filed: **Dec. 29, 2012**

(51) **LOC (10) Cl.** **14-02**

(52) **U.S. Cl.**
USPC **D14/315**

(58) **Field of Classification Search**
CPC G06F 3/02; G06F 3/023; G06F 1/1616;
G06F 1/162; H01H 13/70; H01H 13/705
USPC D14/315-327; D18/1, 2, 7, 11;
235/145 A, 145 R; 341/22, 23; 345/104,
345/156, 168, 169, 173; 361/679.06,
361/679.08, 679.09, 679.11, 679.26,
361/679.27, 679.55
See application file for complete search history.

(56) **References Cited**

U.S. PATENT DOCUMENTS

D358,376 S * 5/1995 Poon D14/315
6,480,373 B1 * 11/2002 Landry et al. 361/679.06
D616,880 S * 6/2010 Andre et al. D14/318
D631,043 S * 1/2011 Kell D14/341

7,999,792 B2 * 8/2011 Tsuji et al. 345/168
D649,544 S * 11/2011 Chiu et al. D14/318
D658,171 S * 4/2012 Masui et al. D14/318
D660,835 S * 5/2012 Cheng D14/318
2009/0179859 A1 * 7/2009 Wisebourt et al. 345/168
2011/0255727 A1 * 10/2011 Azuchi 381/333

* cited by examiner

Primary Examiner — Freda S Nunn

(74) *Attorney, Agent, or Firm* — Patent Capital Group

(57) **CLAIM**

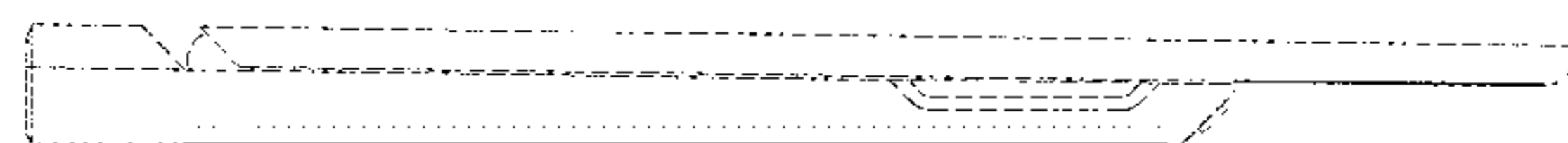
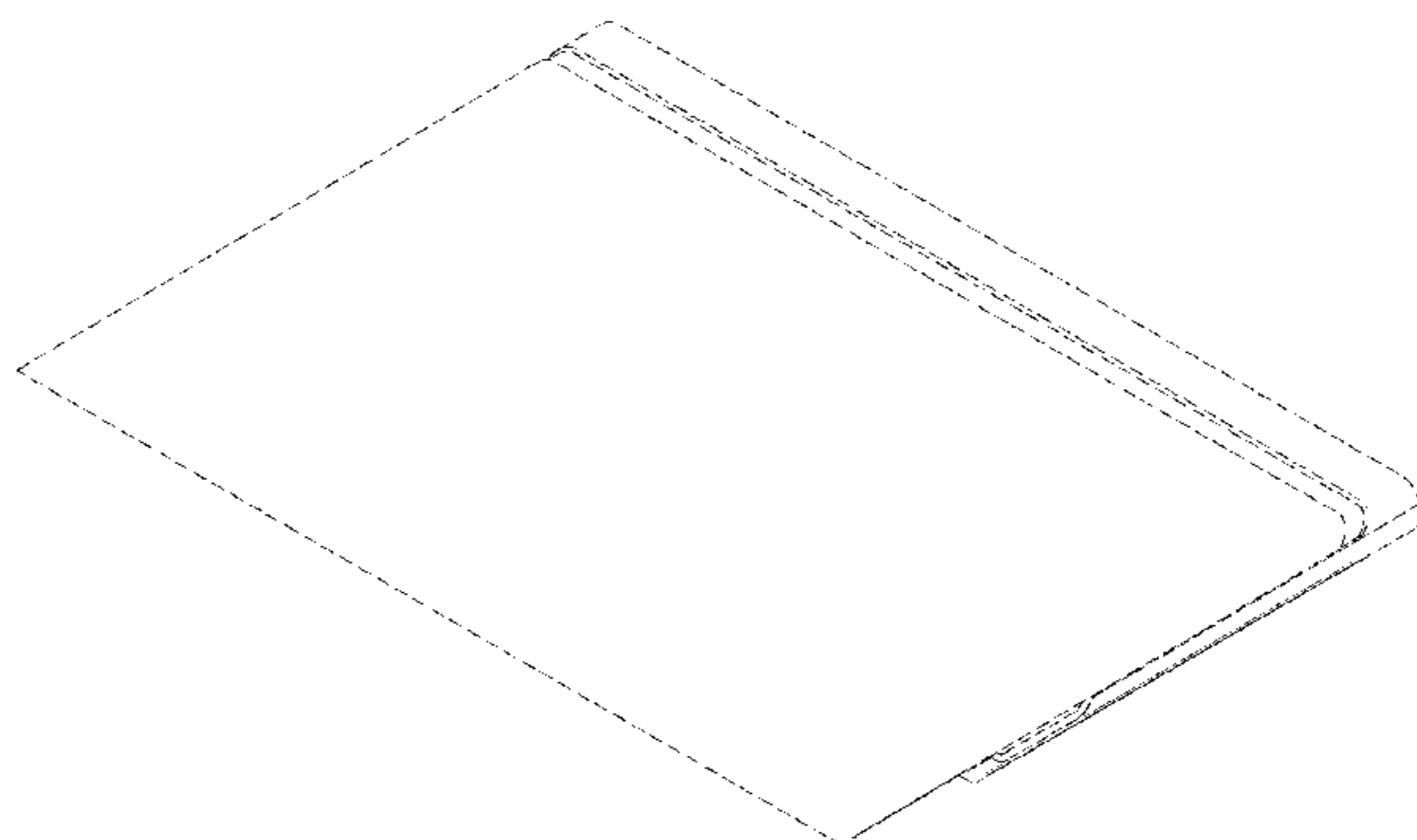
The ornamental design for a computing device, as shown and described.

DESCRIPTION

FIG. 1 is a perspective view of a computing device according to my design;
FIG. 2 is a front view thereof;
FIG. 3 is a back view thereof;
FIG. 4 is a side view thereof;
FIG. 5 is another side view thereof;
FIG. 6 is a top view thereof; and,
FIG. 7 is a bottom view thereof.

The doubled broken lines shown immediately adjacent to the solid lines in the figures represent the bounds of the claimed design, while all other broken lines are shown for environment only and form no part of the claimed design. The non-oblique shading is meant to show contour and not surface ornamentation.

1 Claim, 5 Drawing Sheets



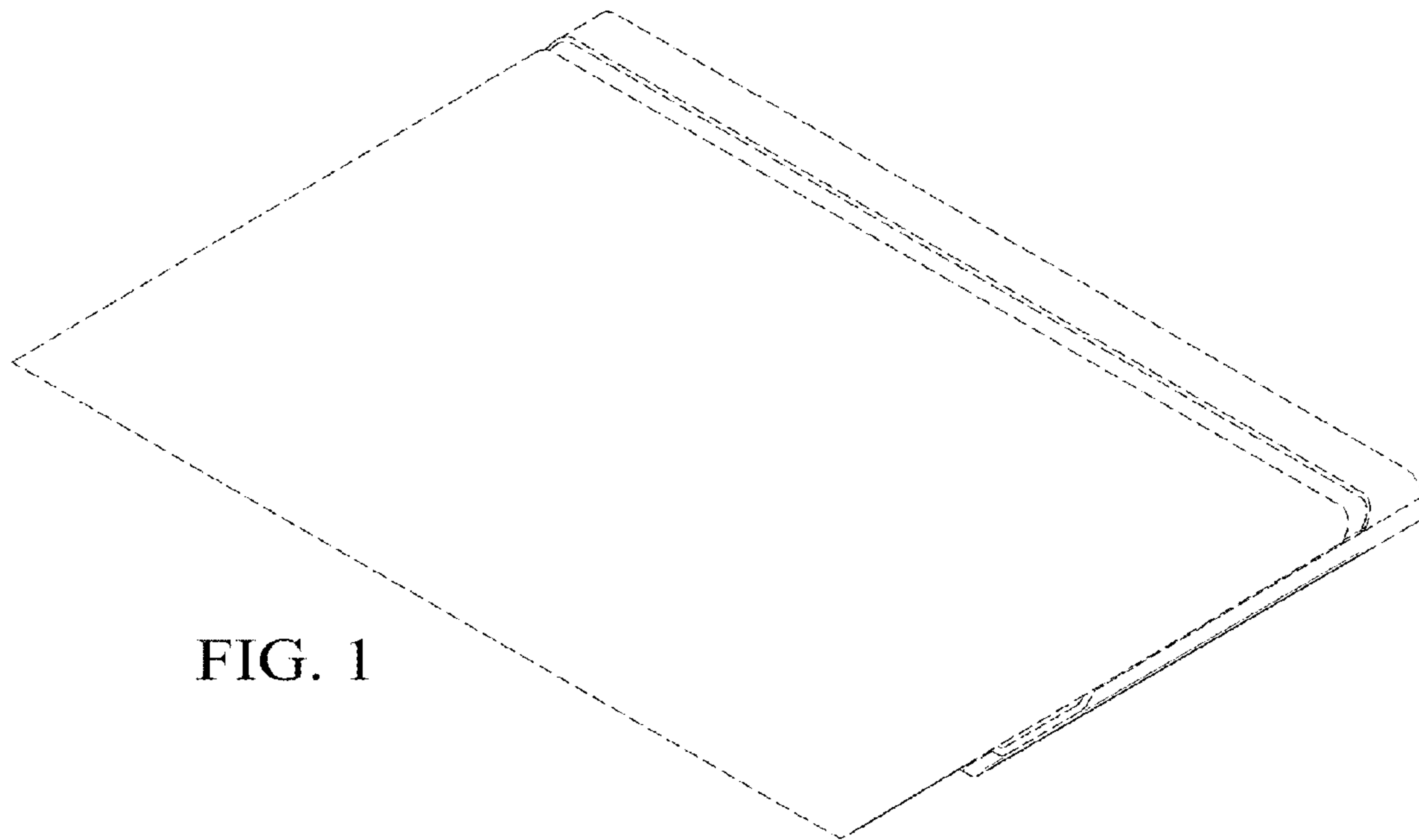


FIG. 1

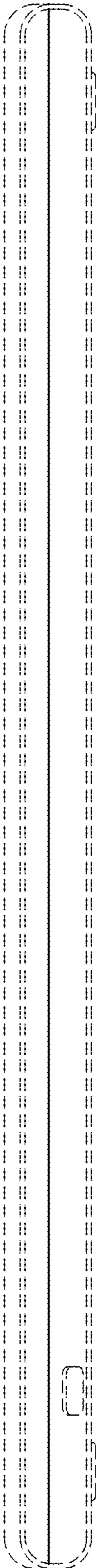


FIG. 2

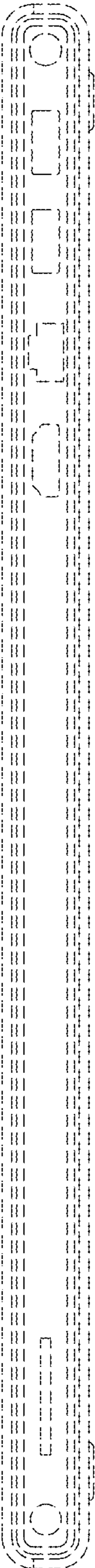


FIG. 3

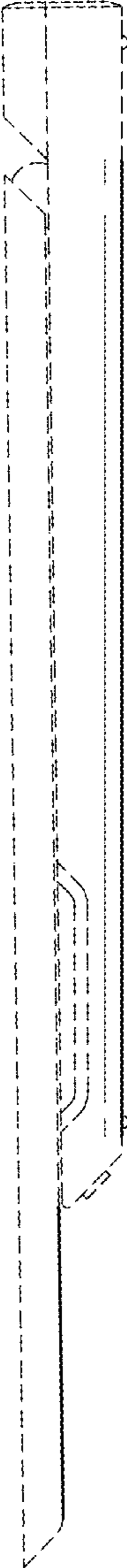


FIG. 4

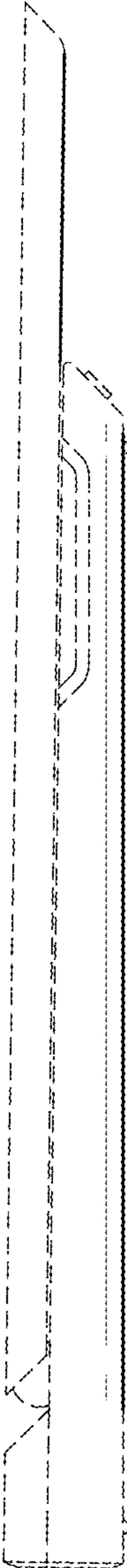


FIG. 5

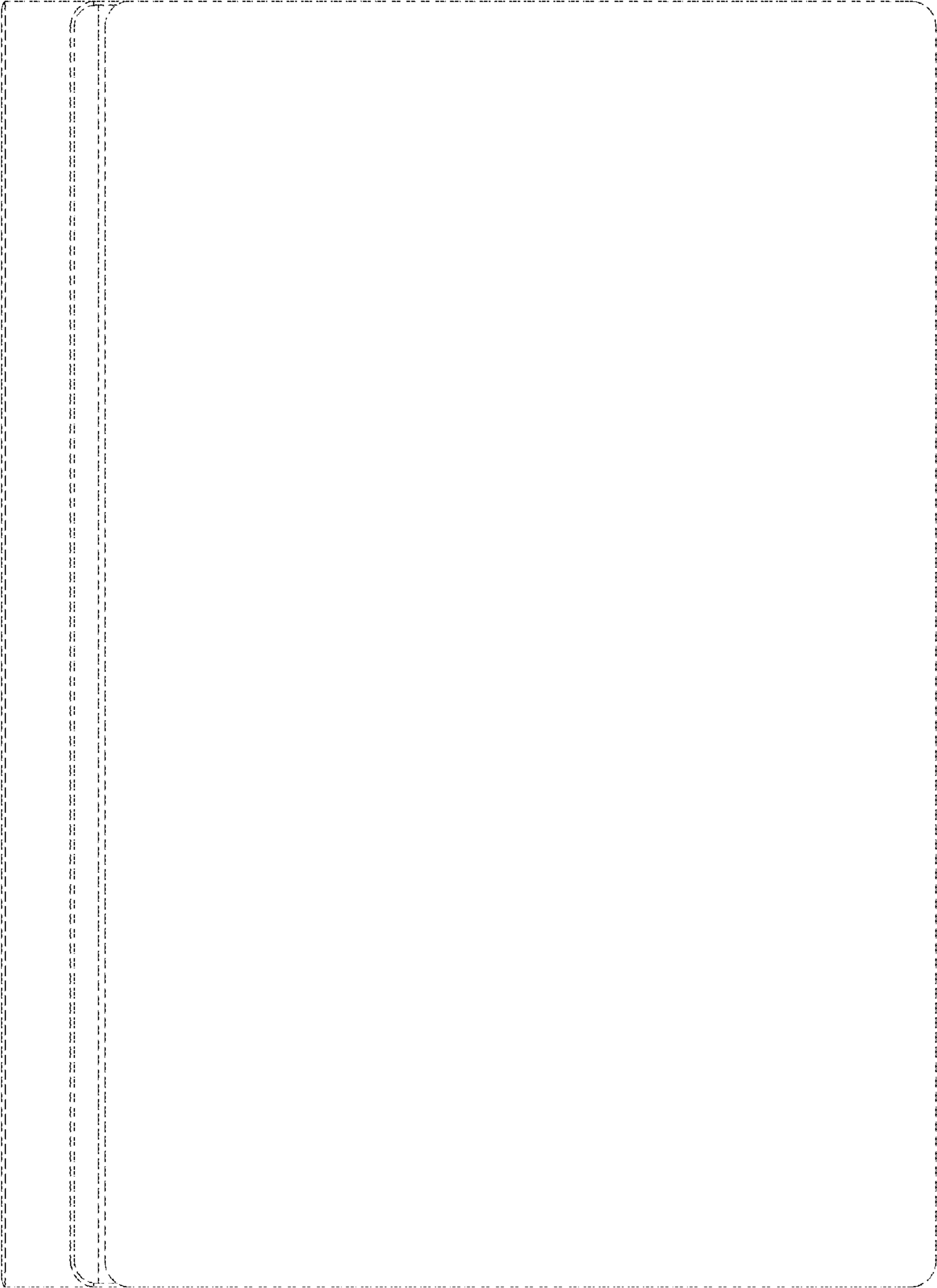


FIG. 6

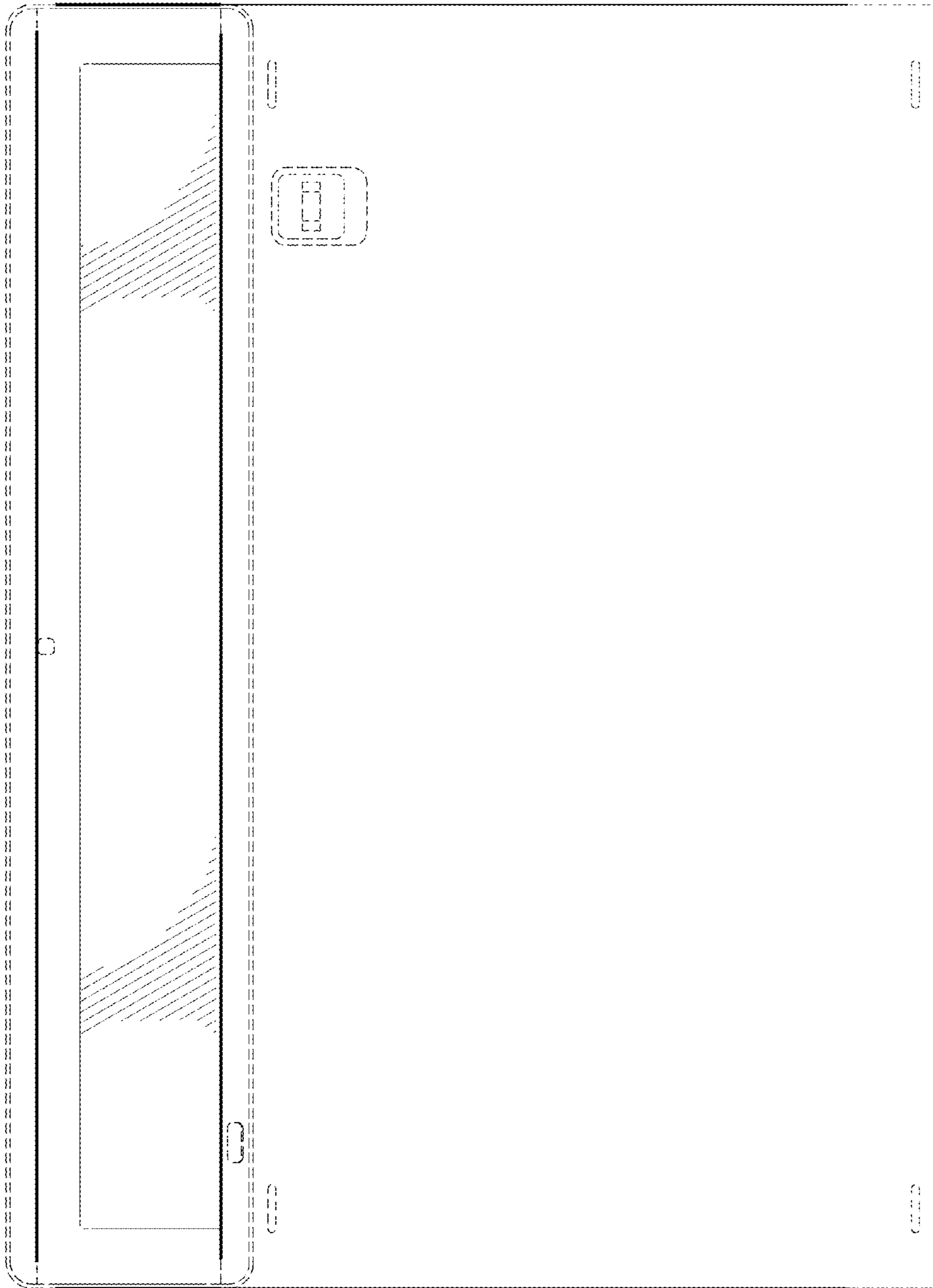


FIG. 7