



US00D708169S

(12) **United States Design Patent**  
**Ryu et al.**

(10) **Patent No.:** **US D708,169 S**  
(45) **Date of Patent:** **\*\* Jul. 1, 2014**

(54) **SPEAKER FOR HOME THEATER** 381/333, 336, 345, 361–364, 386–388;  
369/6–12

(71) Applicant: **LG Electronics Inc.**, Seoul (KR) See application file for complete search history.

(72) Inventors: **Junghan Ryu**, Seoul (KR); **Sooyoung Park**, Gyeonggi-do (KR); **Junki Kim**, Seoul (KR); **Yongsoo Kim**, Seoul (KR)

(56) **References Cited**

U.S. PATENT DOCUMENTS

|              |         |            |       |         |
|--------------|---------|------------|-------|---------|
| D344,950 S * | 3/1994  | Lewis      | ..... | D14/214 |
| D540,309 S * | 4/2007  | Yuyama     | ..... | D14/211 |
| D543,534 S * | 5/2007  | Tsuge      | ..... | D14/211 |
| D548,724 S * | 8/2007  | Hakoda     | ..... | D14/211 |
| D562,802 S * | 2/2008  | Kim et al. | ..... | D14/211 |
| D578,103 S * | 10/2008 | Matsuoka   | ..... | D14/211 |
| D585,874 S * | 2/2009  | Kim et al. | ..... | D14/211 |
| D585,875 S * | 2/2009  | Matsuoka   | ..... | D14/211 |
| D636,379 S * | 4/2011  | Kim et al. | ..... | D14/211 |

(73) Assignee: **LG Electronics Inc.**, Seoul (KR)

(\*\*) Term: **14 Years**

(21) Appl. No.: **29/465,428**

(22) Filed: **Aug. 28, 2013**

(30) **Foreign Application Priority Data**

Apr. 17, 2013 (KR) ..... 30-2013-0020193

(51) **LOC (10) Cl.** ..... **14-03**

(52) **U.S. Cl.**  
USPC ..... **D14/213; D14/211; D14/214**

(58) **Field of Classification Search**  
CPC ..... H01M 1/03; H01M 1/035; H04R 1/02;  
H04R 1/06; H04R 1/021; H04R 1/025;  
H04R 1/026; H04R 1/105; H04R 1/323;  
H04R 1/345; H04R 1/403; H04R 1/2803;  
H04R 1/2834; H04R 5/02; H04R 7/20;  
H04R 9/06; H04R 9/025; H04R 2201/021;  
H04R 2400/07; H04R 2499/11; H04R  
2499/13; H04R 2499/15; G06F 1/1688;  
H04N 5/642  
USPC ..... D14/167, 168, 170–172, 188, 194–196,  
D14/204, 207, 209.1, 210–216, 221, 222,  
D14/224; 181/143, 144, 147, 148, 150, 153,  
181/157, 198, 199; 381/300–303, 306, 332,

\* cited by examiner

*Primary Examiner* — Keli L Hill

(74) *Attorney, Agent, or Firm* — Morgan, Lewis & Bockius LLP

(57) **CLAIM**

The ornamental design for a speaker for home theater, as shown and described.

**DESCRIPTION**

FIG. 1 is a front, right side, perspective view of a speaker for home theater showing our new design;  
FIG. 2 is a front view thereof;  
FIG. 3 is a rear view thereof;  
FIG. 4 is a left side view thereof;  
FIG. 5 is a right side view thereof;  
FIG. 6 is a top view thereof; and,  
FIG. 7 is a bottom view thereof.

**1 Claim, 6 Drawing Sheets**

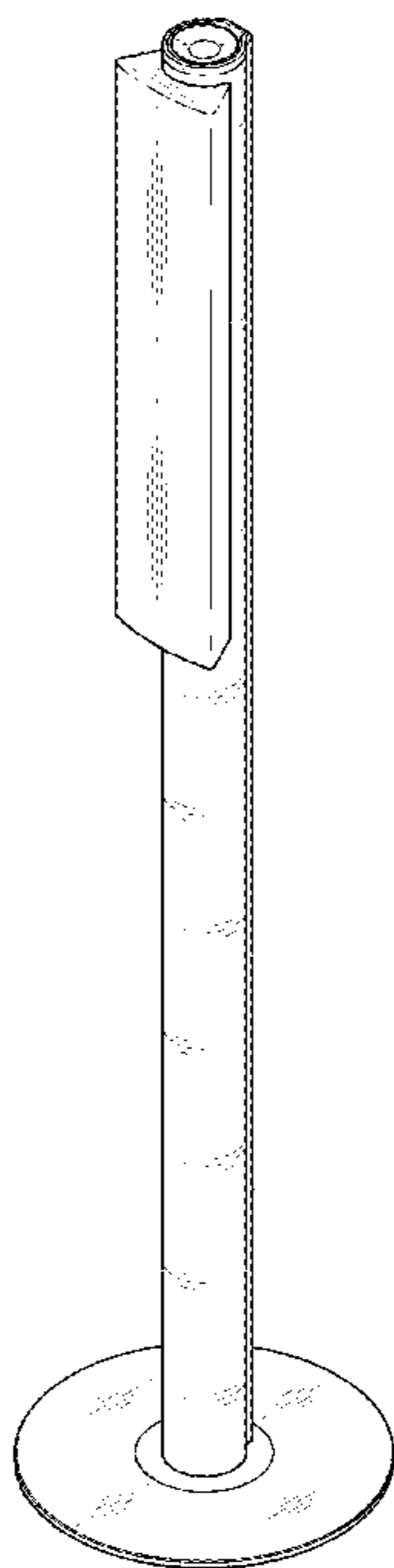


FIG. 1

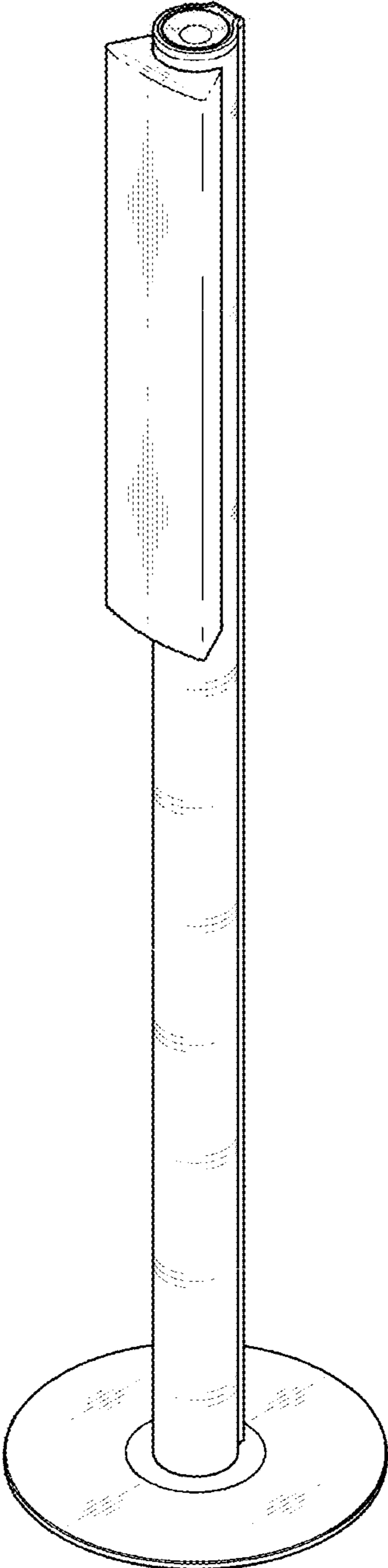


FIG. 2

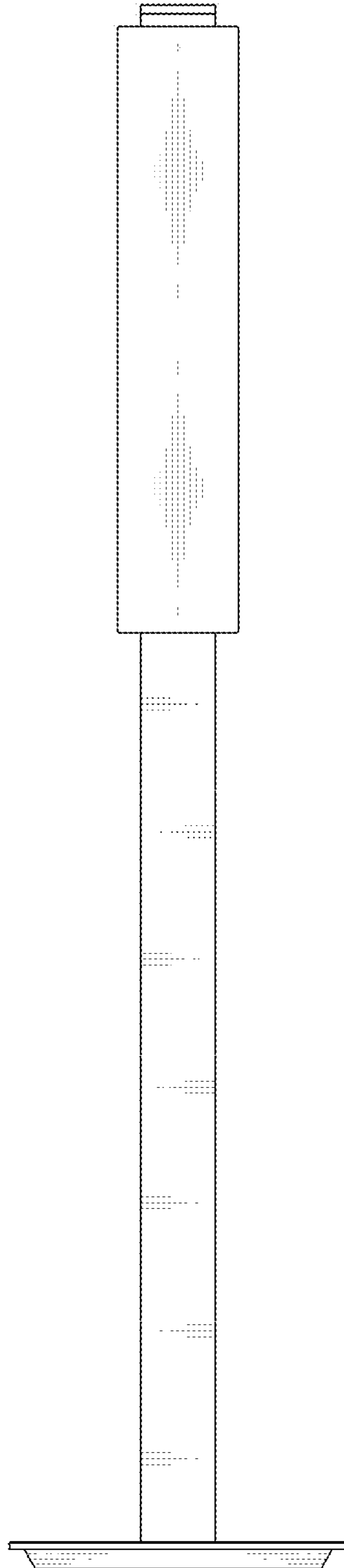


FIG. 3

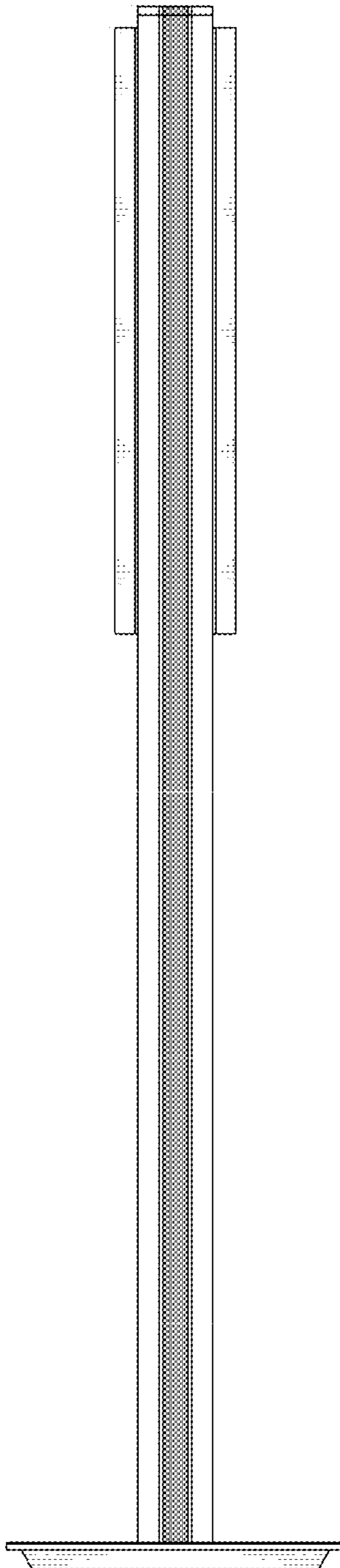


FIG. 4

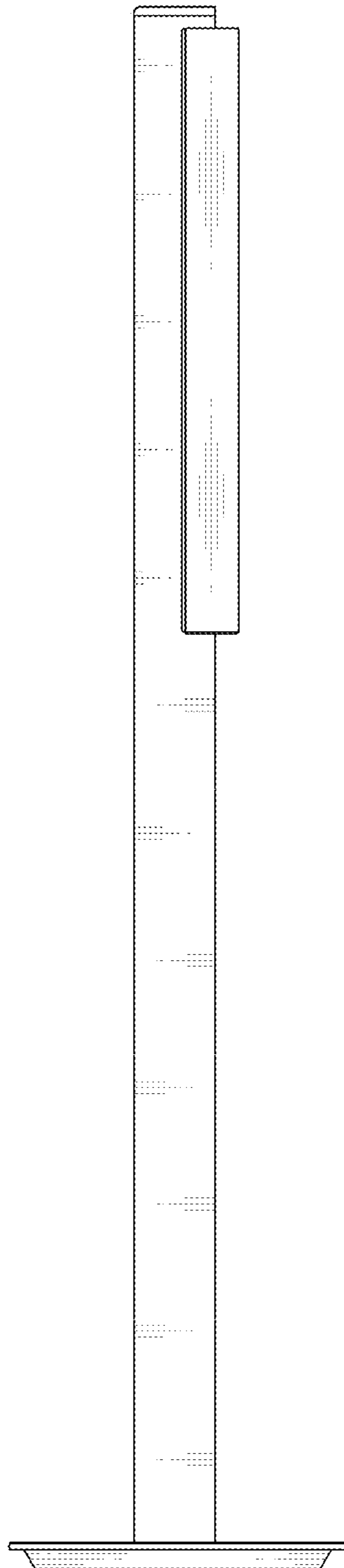


FIG. 5

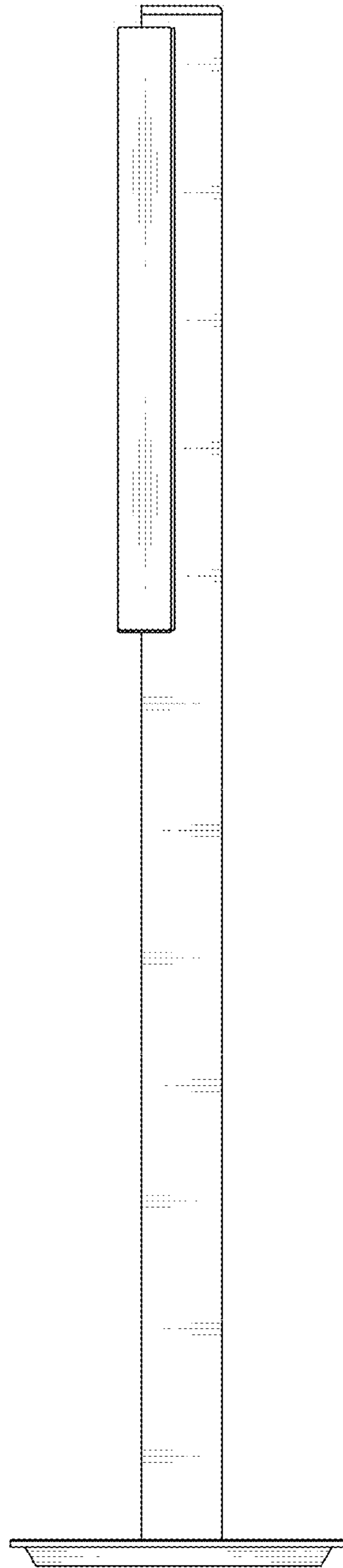


FIG. 6

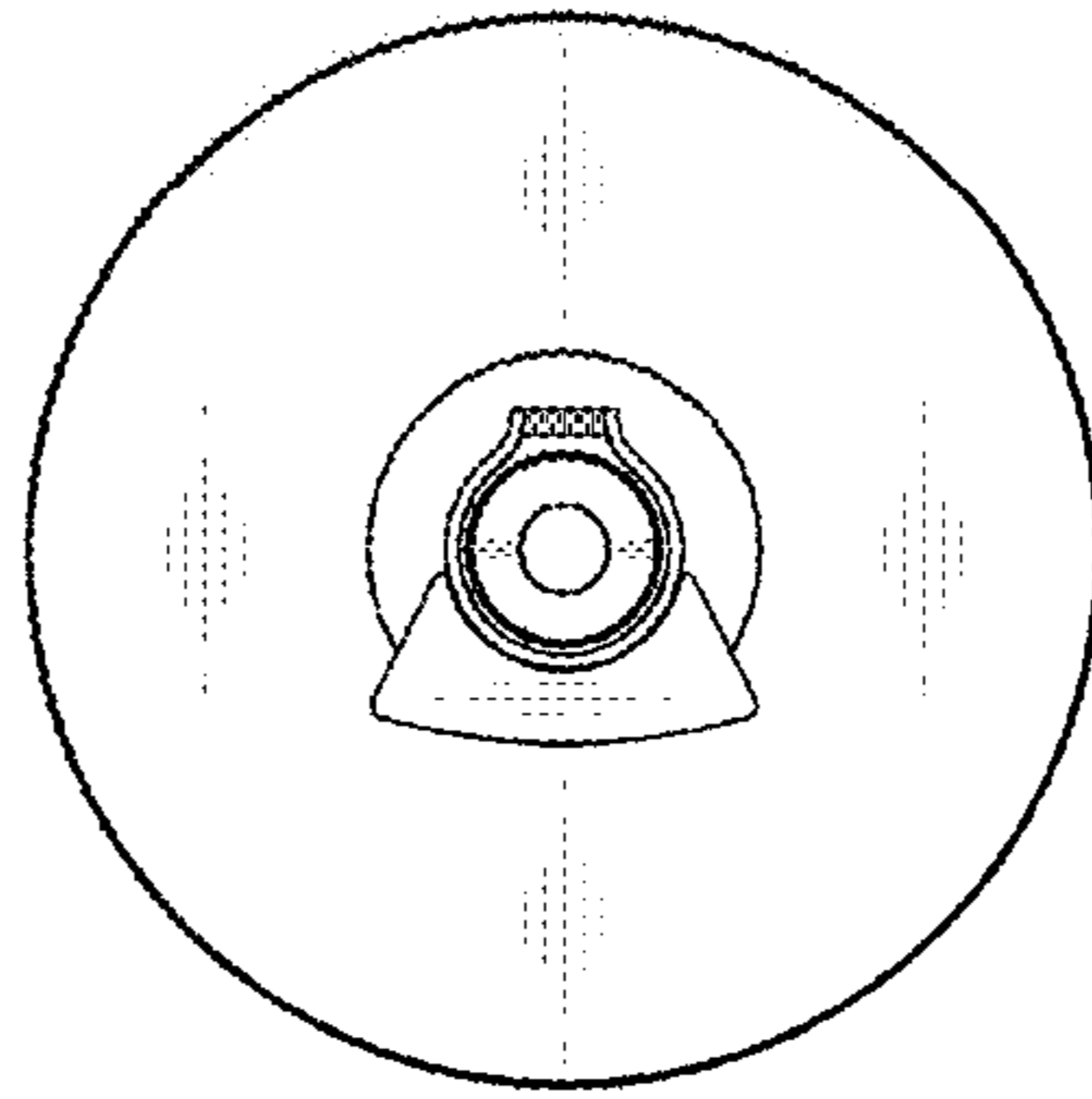


FIG. 7

