



US00D708167S

(12) **United States Design Patent**
Ryu et al.

(10) **Patent No.:** **US D708,167 S**
(45) **Date of Patent:** **** Jul. 1, 2014**

(54) **SPEAKER FOR HOME THEATER** 381/333, 336, 345, 361–364, 386–388;
369/6–12

(71) Applicant: **LG Electronics Inc.**, Seoul (KR) See application file for complete search history.

(72) Inventors: **Junghan Ryu**, Seoul (KR); **Sooyoung Park**, Gyeonggi-do (KR); **Junki Kim**, Seoul (KR); **Yongsoo Kim**, Seoul (KR)

(56) **References Cited**

U.S. PATENT DOCUMENTS

D344,950 S *	3/1994	Lewis	D14/214
D540,309 S *	4/2007	Yuyama	D14/211
D543,534 S *	5/2007	Tsuge	D14/211
D548,724 S *	8/2007	Hakoda	D14/211
D562,802 S *	2/2008	Kim et al.	D14/211
D578,103 S *	10/2008	Matsuoka	D14/211
D585,874 S *	2/2009	Kim et al.	D14/211
D585,875 S *	2/2009	Matsuoka	D14/211
D636,379 S *	4/2011	Kim et al.	D14/211

(73) Assignee: **LG Electronics Inc.**, Seoul (KR)

(**) Term: **14 Years**

(21) Appl. No.: **29/465,319**

(22) Filed: **Aug. 27, 2013**

(30) **Foreign Application Priority Data**

Apr. 17, 2013 (KR) 30-2013-0020182

(51) **LOC (10) Cl.** **14-03**

(52) **U.S. Cl.**
USPC **D14/213**; D14/211; D14/214

(58) **Field of Classification Search**
CPC H04M 1/03; H04M 1/035; H04R 1/02;
H04R 1/06; H04R 1/021; H04R 1/025;
H04R 1/026; H04R 1/105; H04R 1/323;
H04R 1/345; H04R 1/403; H04R 1/2803;
H04R 1/2834; H04R 5/02; H04R 7/20;
H04R 9/06; H04R 9/025; H04R 2201/021;
H04R 2400/07; H04R 2499/11; H04R
2499/13; H04R 2499/15; G06F 1/1688;
H04N 5/642
USPC D14/167, 168, 170–172, 188, 194–196,
D14/204, 207, 209.1, 210–216, 221, 222,
D14/224; 181/143, 144, 147, 148, 150, 153,
181/157, 198, 199; 381/300–303, 306, 332,

* cited by examiner

Primary Examiner — Keli L Hill

(74) *Attorney, Agent, or Firm* — Morgan, Lewis & Bockius LLP

(57) **CLAIM**

The ornamental design for a speaker for home theater, as shown and described.

DESCRIPTION

FIG. 1 is a front, right side, perspective view of a speaker for home theater showing our new design;
FIG. 2 is a front view thereof;
FIG. 3 is a rear view thereof;
FIG. 4 is a left side view thereof;
FIG. 5 is a right side view thereof;
FIG. 6 is a top view thereof; and,
FIG. 7 is a bottom view thereof.

1 Claim, 6 Drawing Sheets

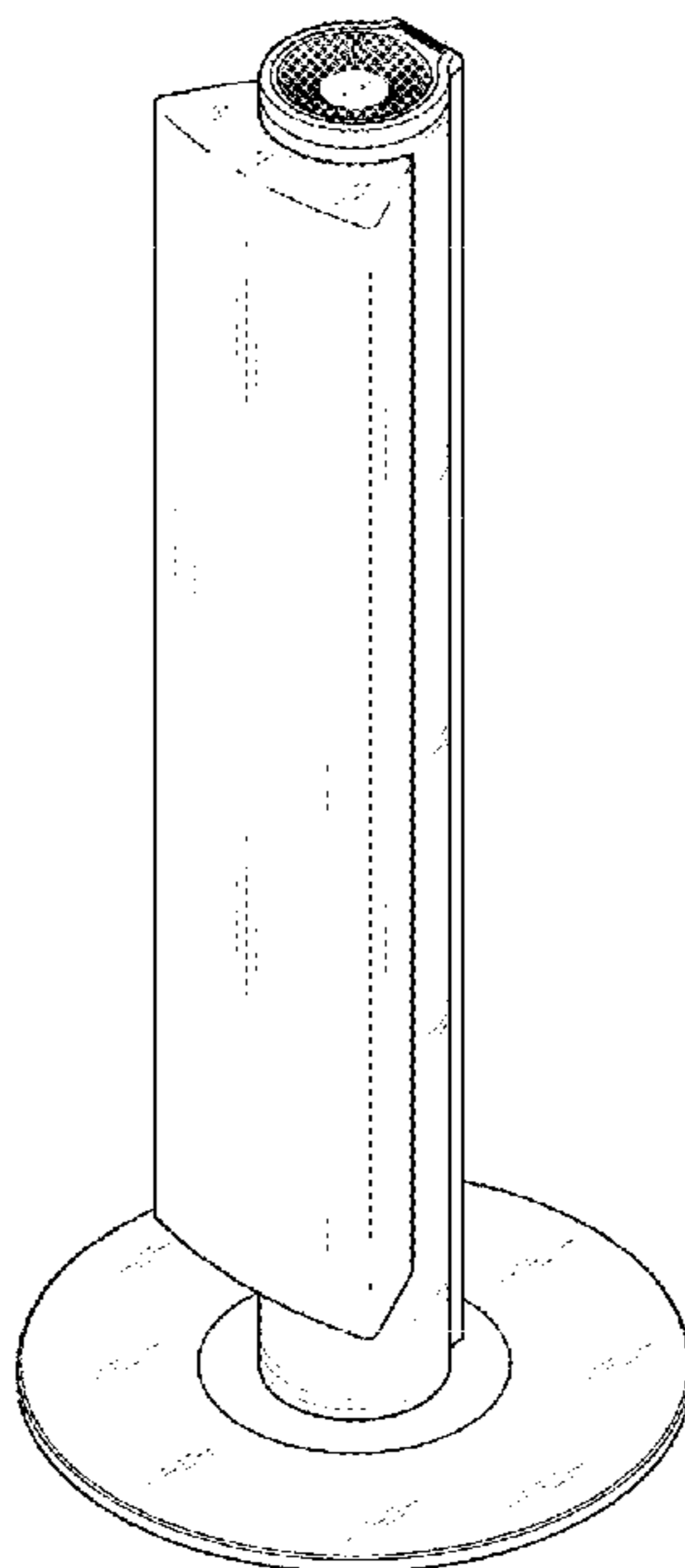


FIG. 1

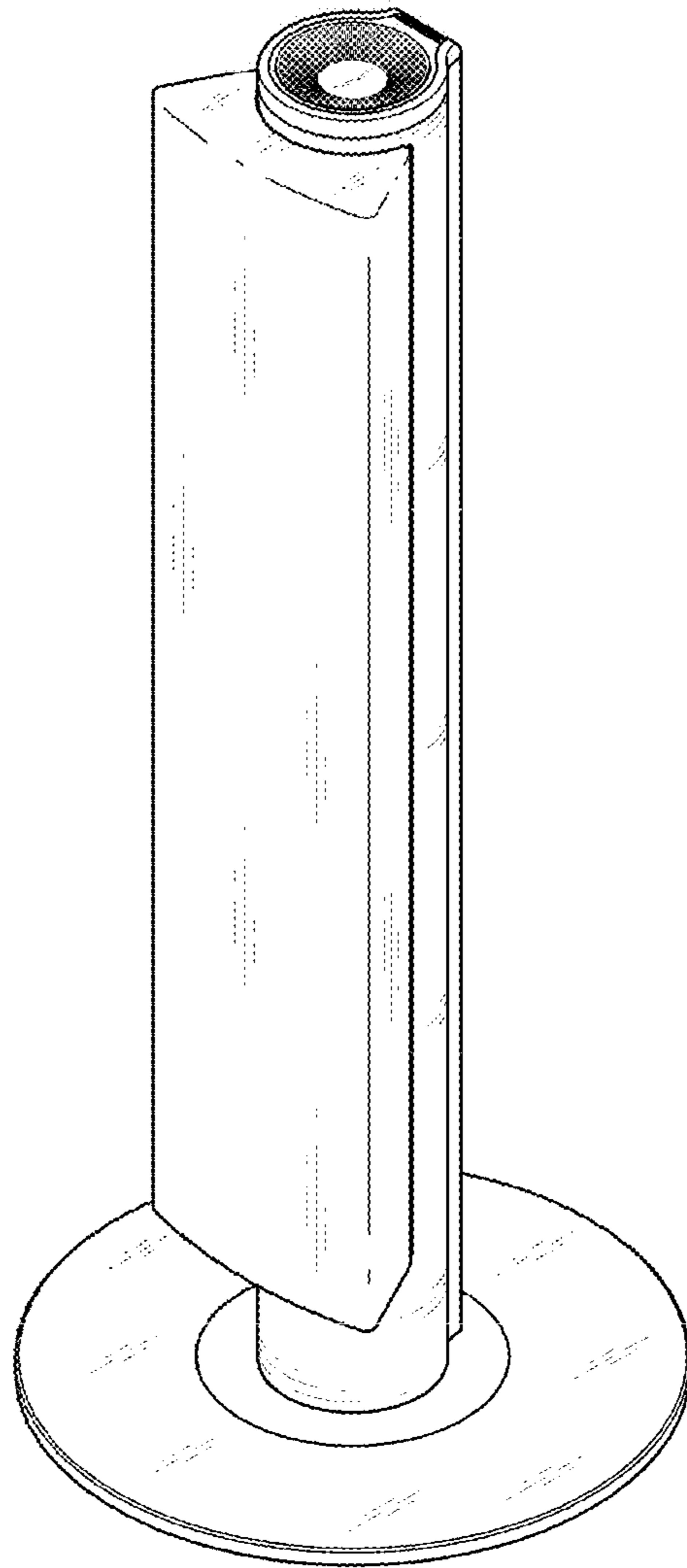


FIG. 2

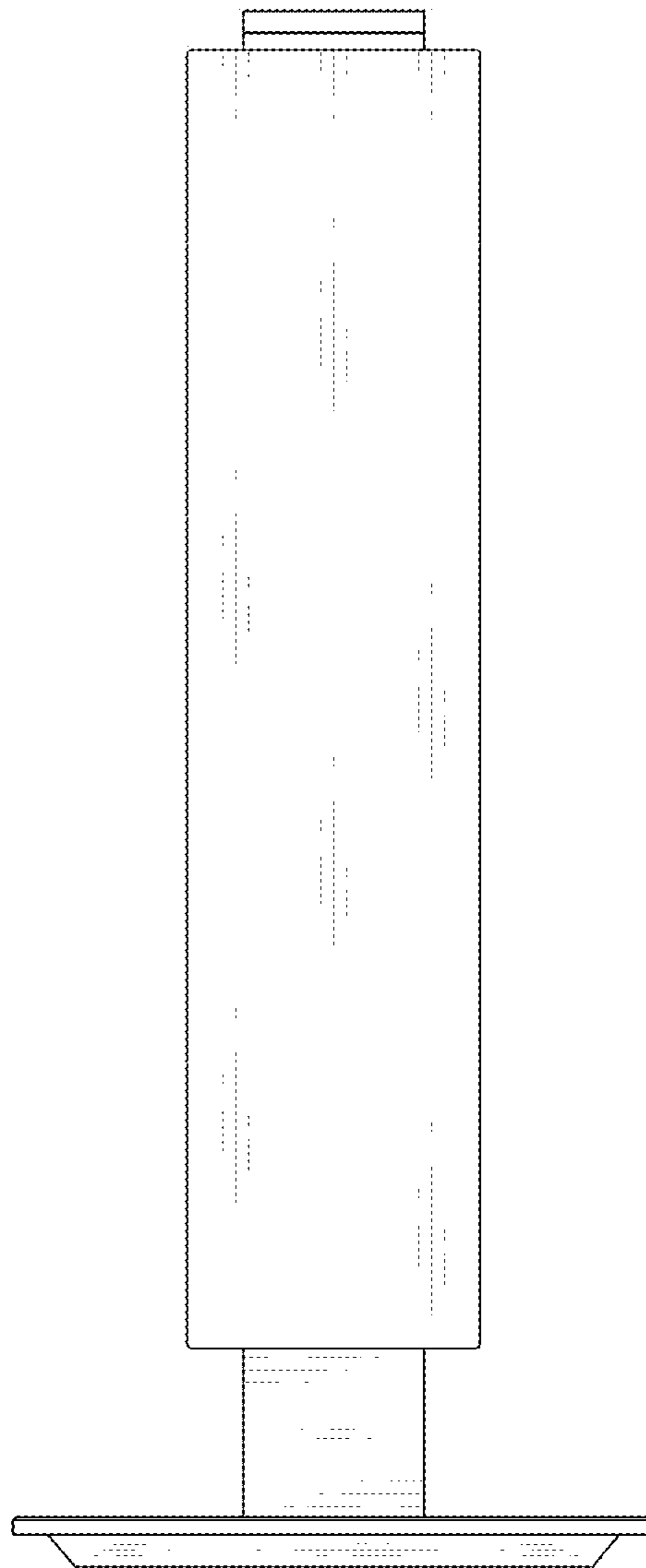


FIG. 3

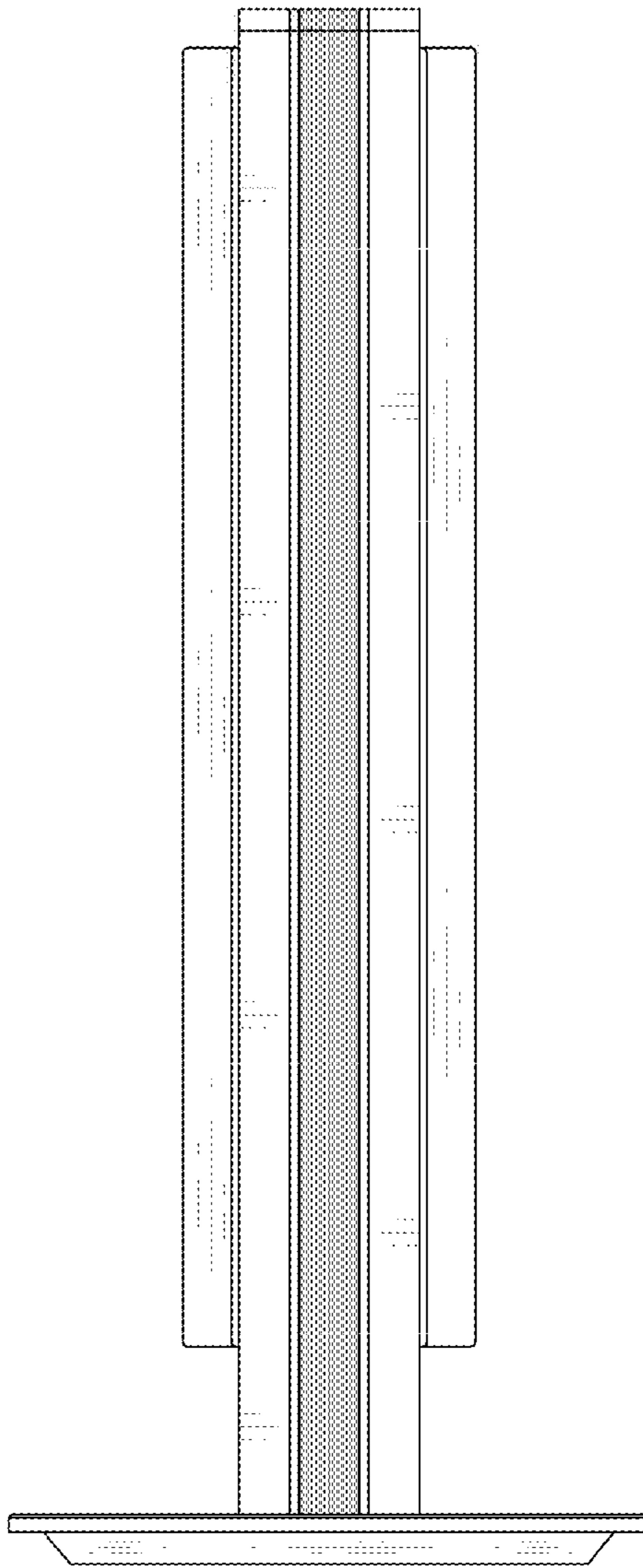


FIG. 4

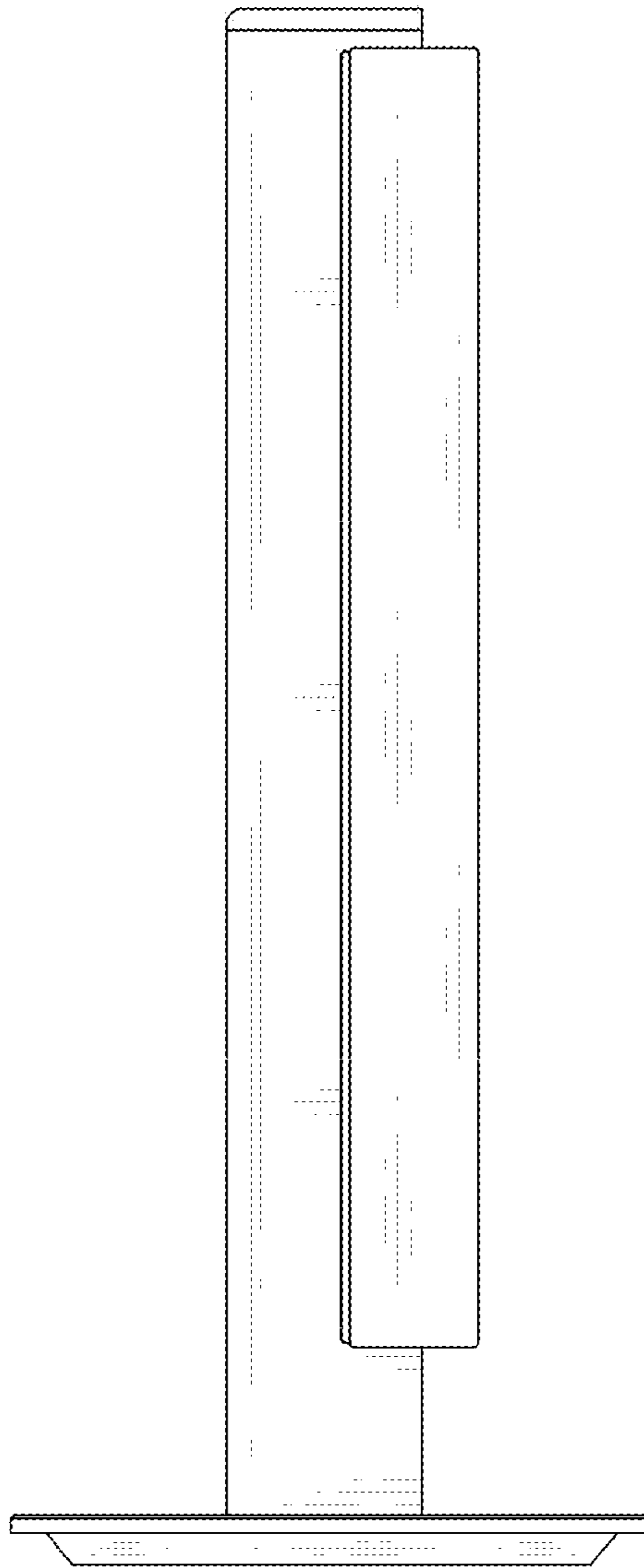


FIG. 5

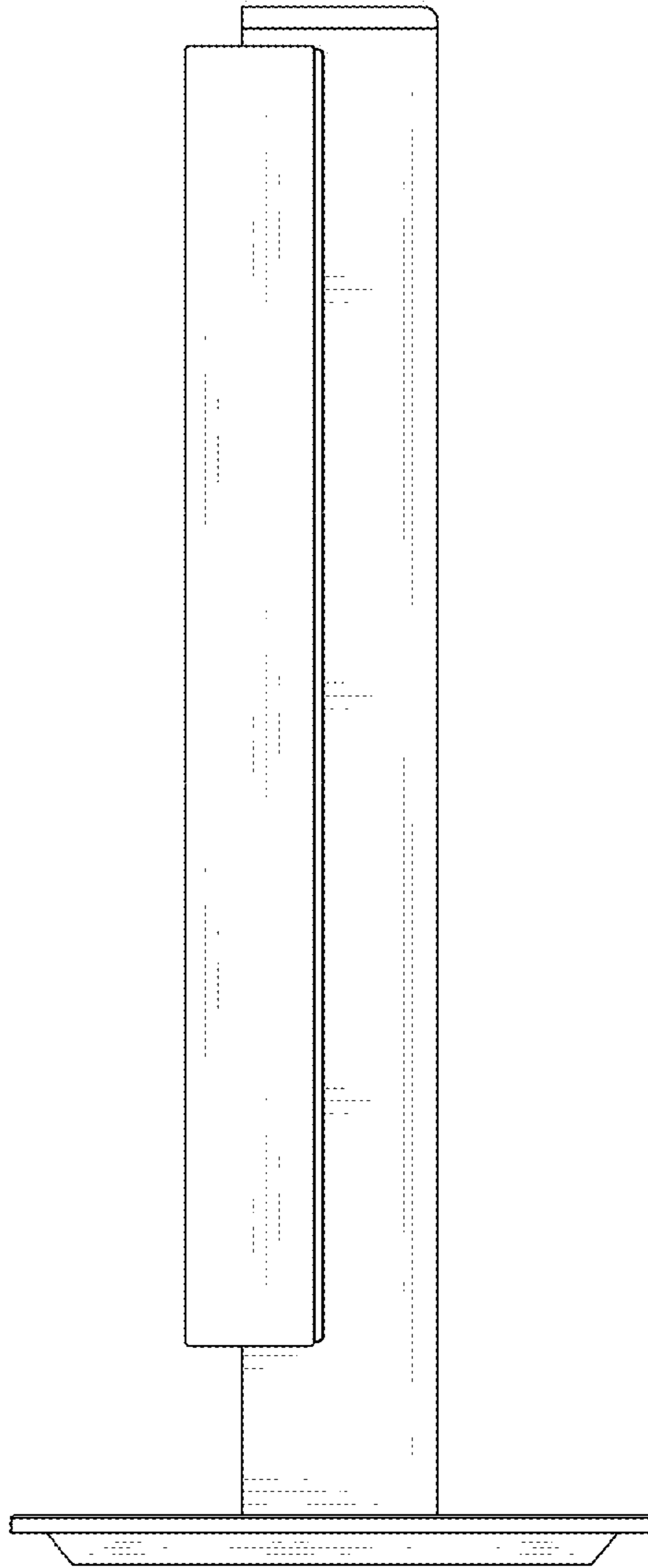


FIG. 6

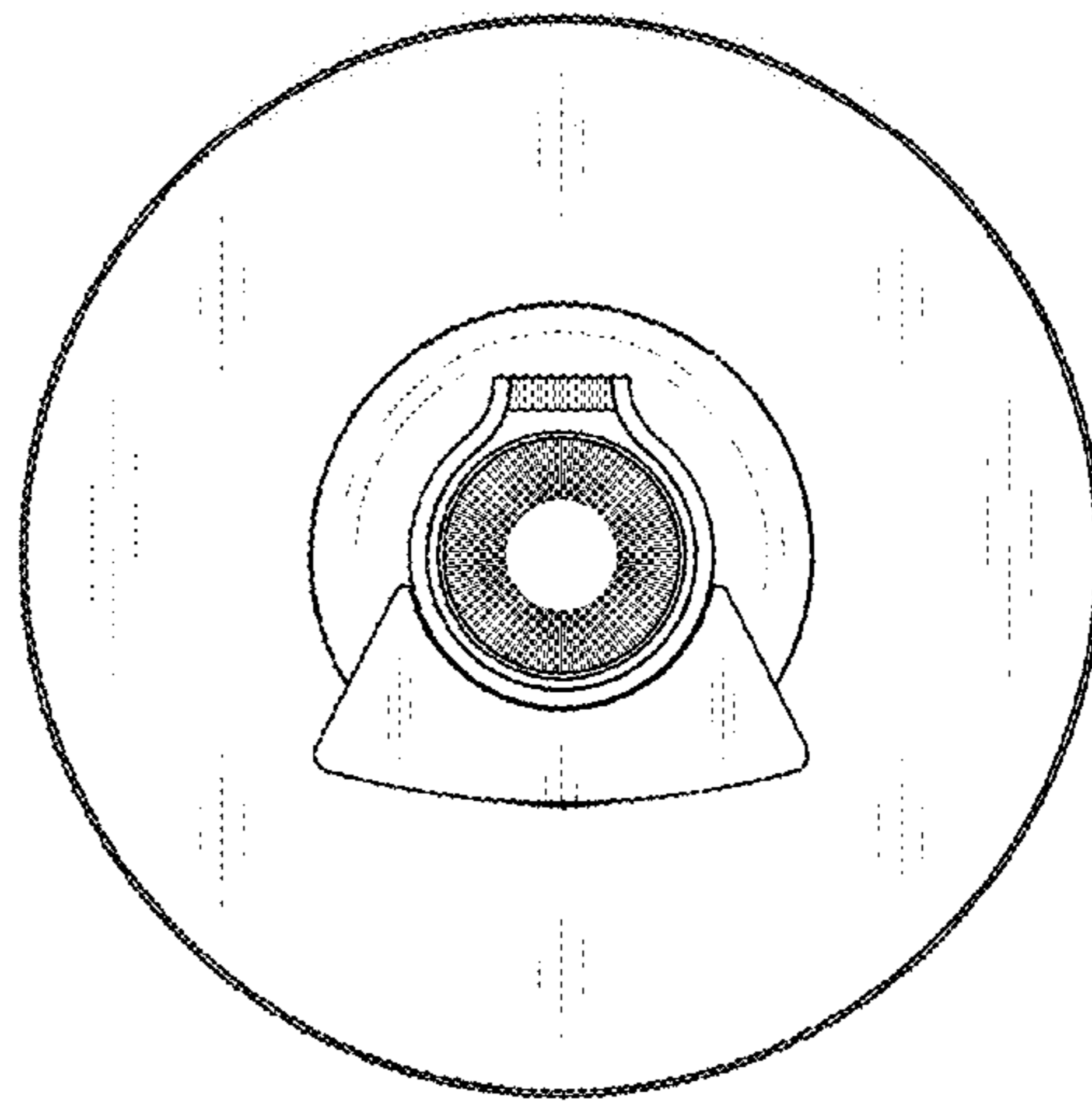


FIG. 7

