



US00D708165S

(12) **United States Design Patent**
Woo et al.

(10) **Patent No.:** **US D708,165 S**
(45) **Date of Patent:** **** Jul. 1, 2014**

(54) **SPEAKER STAND**

(71) Applicant: **Samsung Electronics Co., Ltd.**,
Suwon-si (KR)

(72) Inventors: **Byung-Min Woo**, Bucheon-Si (KR);
Chae-Joo Son, Namyangjoo-Si (KR)

(73) Assignee: **Samsung Electronics Co., Ltd.**,
Suwon-si (KR)

(**) Term: **14 Years**

(21) Appl. No.: **29/446,884**

(22) Filed: **Feb. 28, 2013**

(30) **Foreign Application Priority Data**

Aug. 29, 2012 (KR) 30-2012-0041594

(51) **LOC (10) Cl.** **14-01**

(52) **U.S. Cl.**
CPC **H04R 1/02** (2013.01)
USPC **D14/209.1; D14/224.1**

(58) **Field of Classification Search**
CPC H04R 1/02
USPC D14/224, 216, 211, 149, 447, 496, 434,
D14/251, 253, 217, 229, 238, 238.1, 224.1,
D14/209.1; D3/205; D28/17, 61, 73;
D13/107, 108, 110; 320/114, 107;
181/129; 379/430; 381/371, 334;
211/70.1

See application file for complete search history.

(56) **References Cited**

U.S. PATENT DOCUMENTS

D219,985 S * 2/1971 Ray D13/108
D223,968 S * 6/1972 Collura D19/54

D251,426 S * 3/1979 Molyneux D14/229
D400,735 S * 11/1998 House et al. D6/466
D460,064 S * 7/2002 Solland D14/207
D471,578 S * 3/2003 Okuley D16/242
D525,616 S * 7/2006 Andre et al. D14/224.1
D553,106 S * 10/2007 Griffin D14/434
D558,739 S * 1/2008 Andre et al. D14/217
D584,731 S * 1/2009 Montgomery et al. D14/434
D602,008 S * 10/2009 Bentley et al. D14/224
D609,707 S * 2/2010 Lee D14/434
D633,897 S * 3/2011 Chiu D14/211
D634,737 S * 3/2011 Lippert et al. D14/229
D645,448 S * 9/2011 Kim et al. D14/211
D662,089 S * 6/2012 Gougherty et al. D14/224
D669,888 S * 10/2012 Gougherty et al. D14/224
D683,330 S * 5/2013 Ryu et al. D14/209.1
D685,806 S * 7/2013 Kim et al. D14/451

* cited by examiner

Primary Examiner — Paula Greene

(74) *Attorney, Agent, or Firm* — NSIP Law

(57) **CLAIM**

The ornamental design for a speaker stand, as shown and described.

DESCRIPTION

FIG. 1 is a front perspective view of a speaker stand, showing an example environment;

FIG. 2 is a front view of the speaker stand of FIG. 1;

FIG. 3 is a rear view of the speaker stand of FIG. 1;

FIG. 4 is a left-side view of the speaker stand of FIG. 1;

FIG. 5 is a right-side view of the speaker stand of FIG. 1;

FIG. 6 is a top plan view of the speaker stand of FIG. 1;

FIG. 7 is a bottom plan view of the speaker stand of FIG. 1; and,

FIG. 8 is a front perspective view of the speaker stand.

The broken lines form no part of the claimed design.

1 Claim, 5 Drawing Sheets

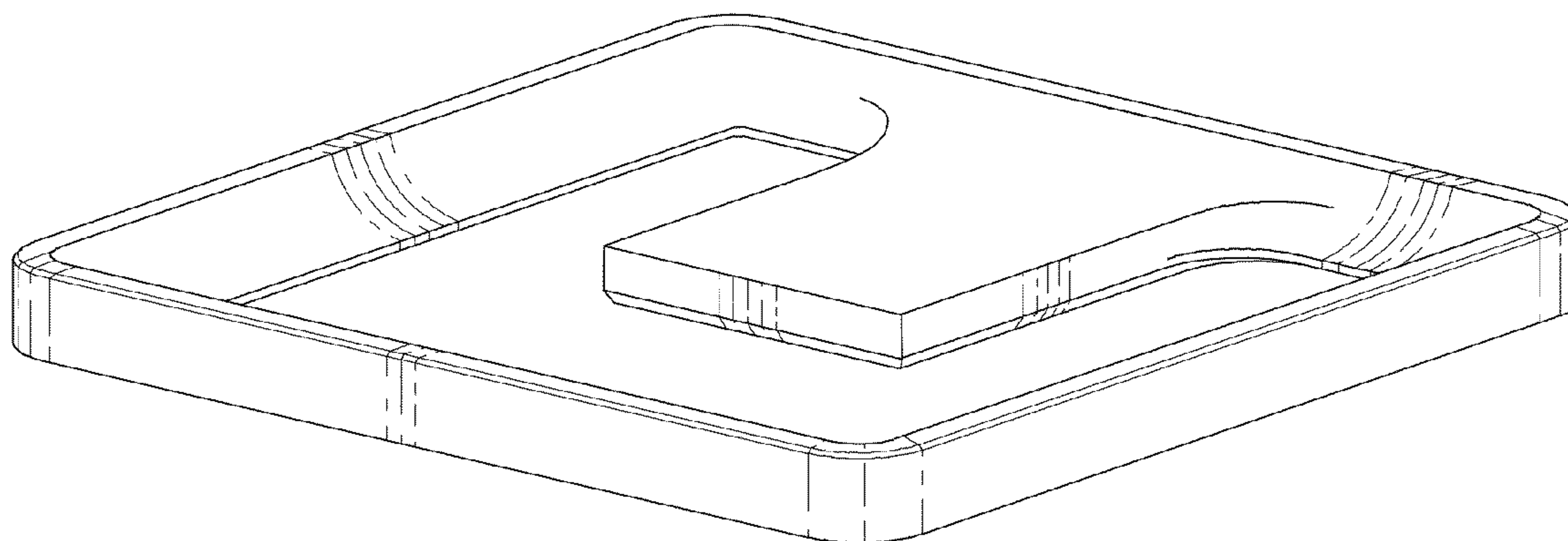


FIG. 1

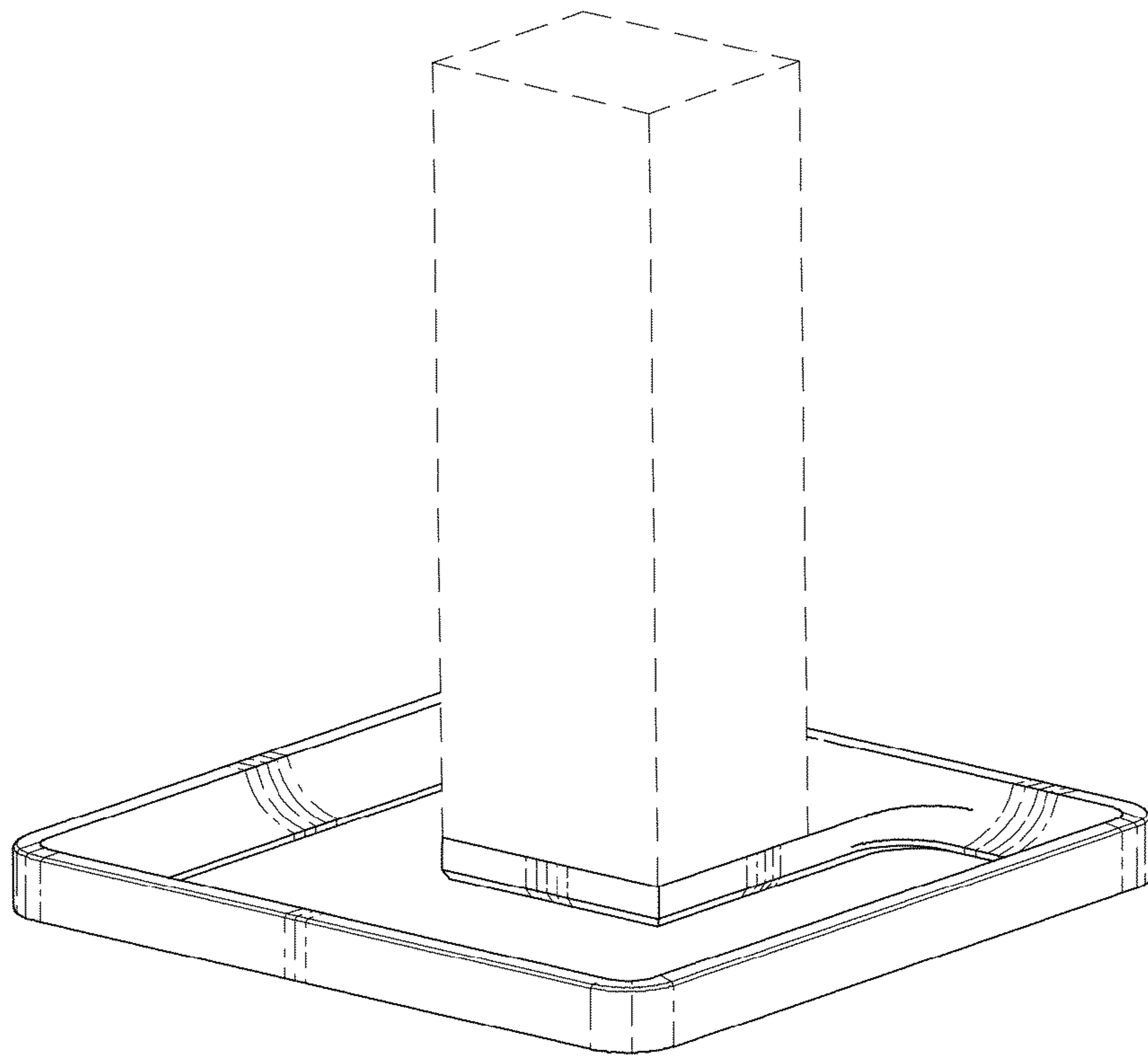


FIG. 2

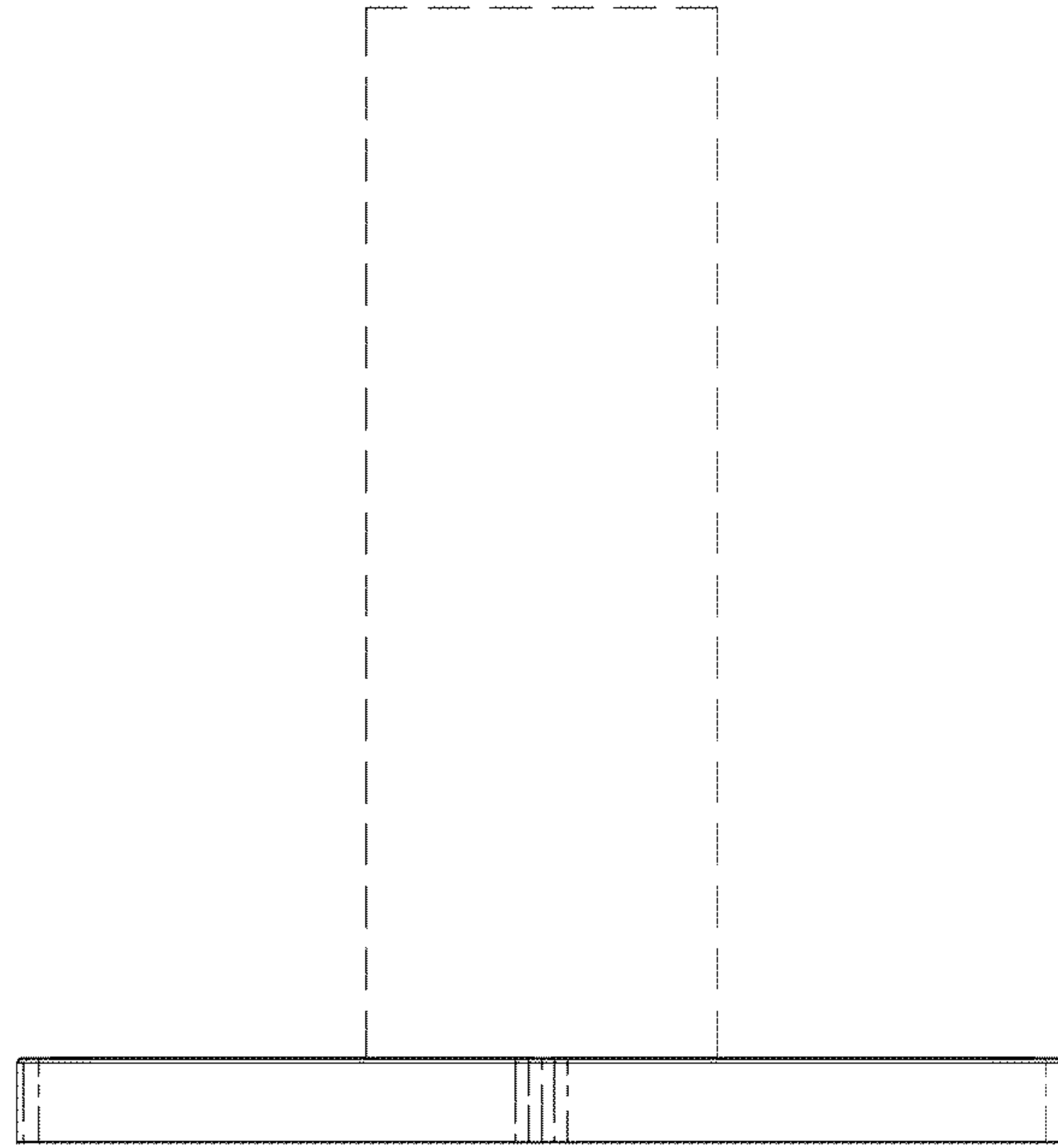


FIG. 3

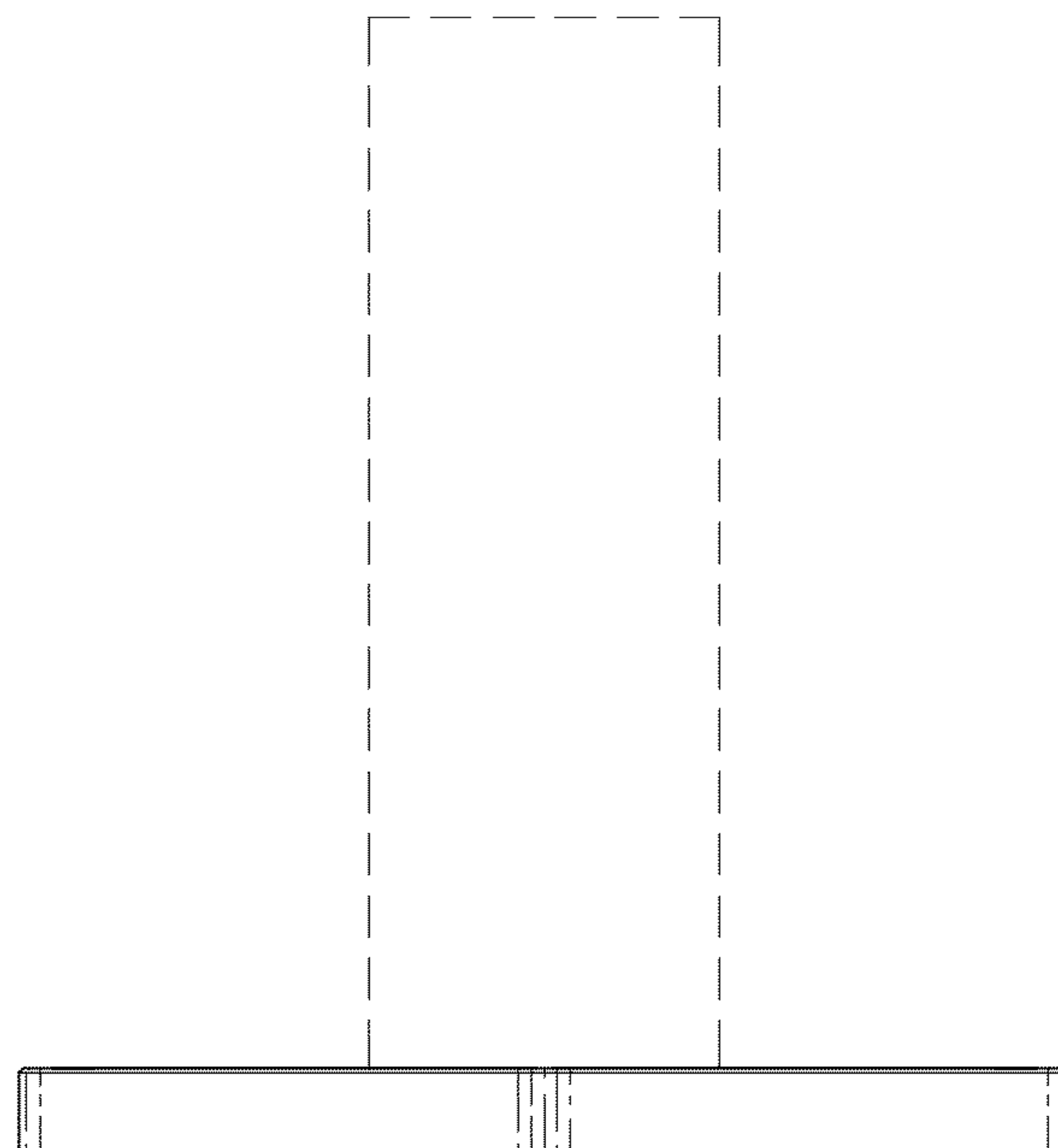


FIG. 4

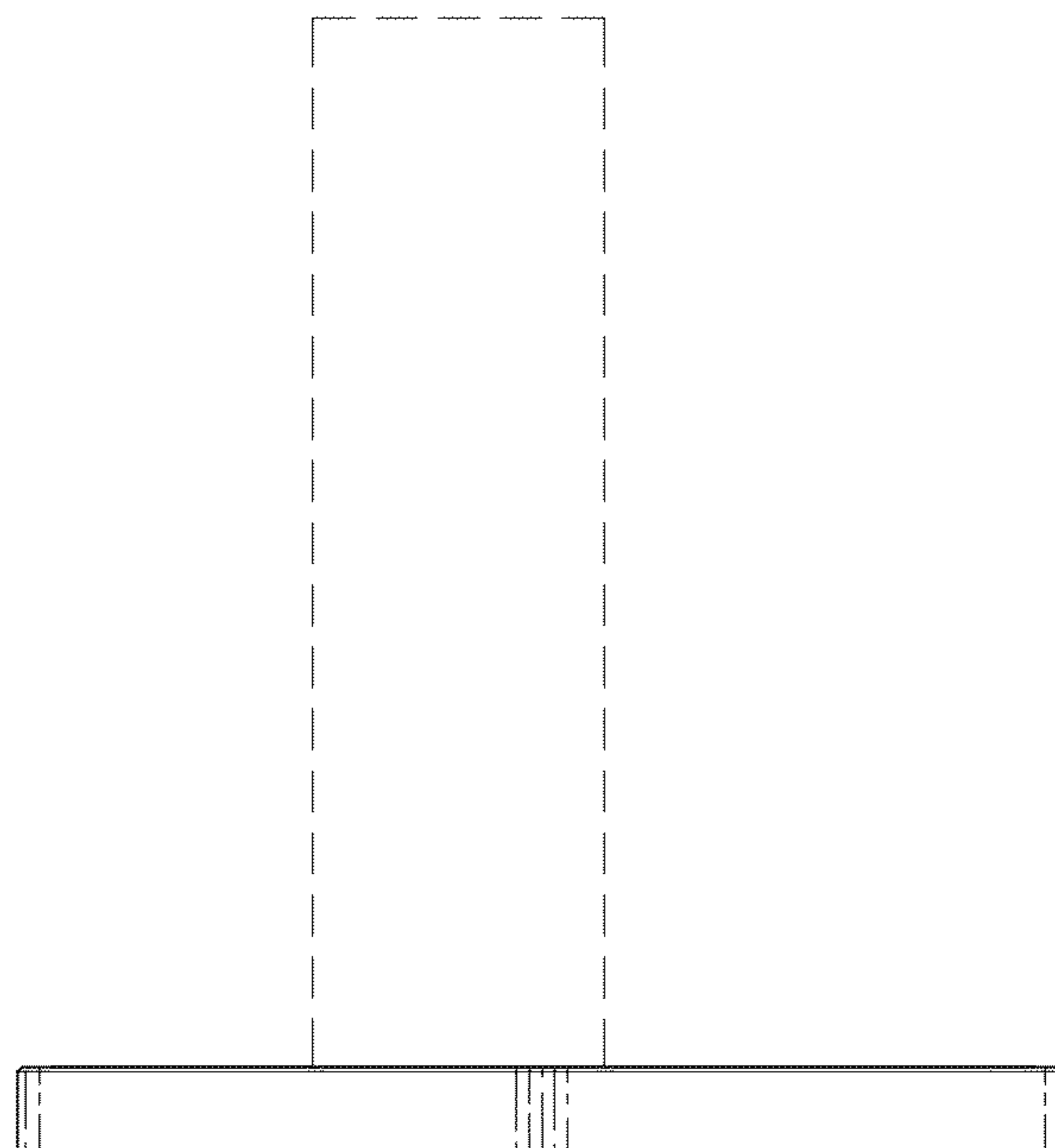


FIG. 5

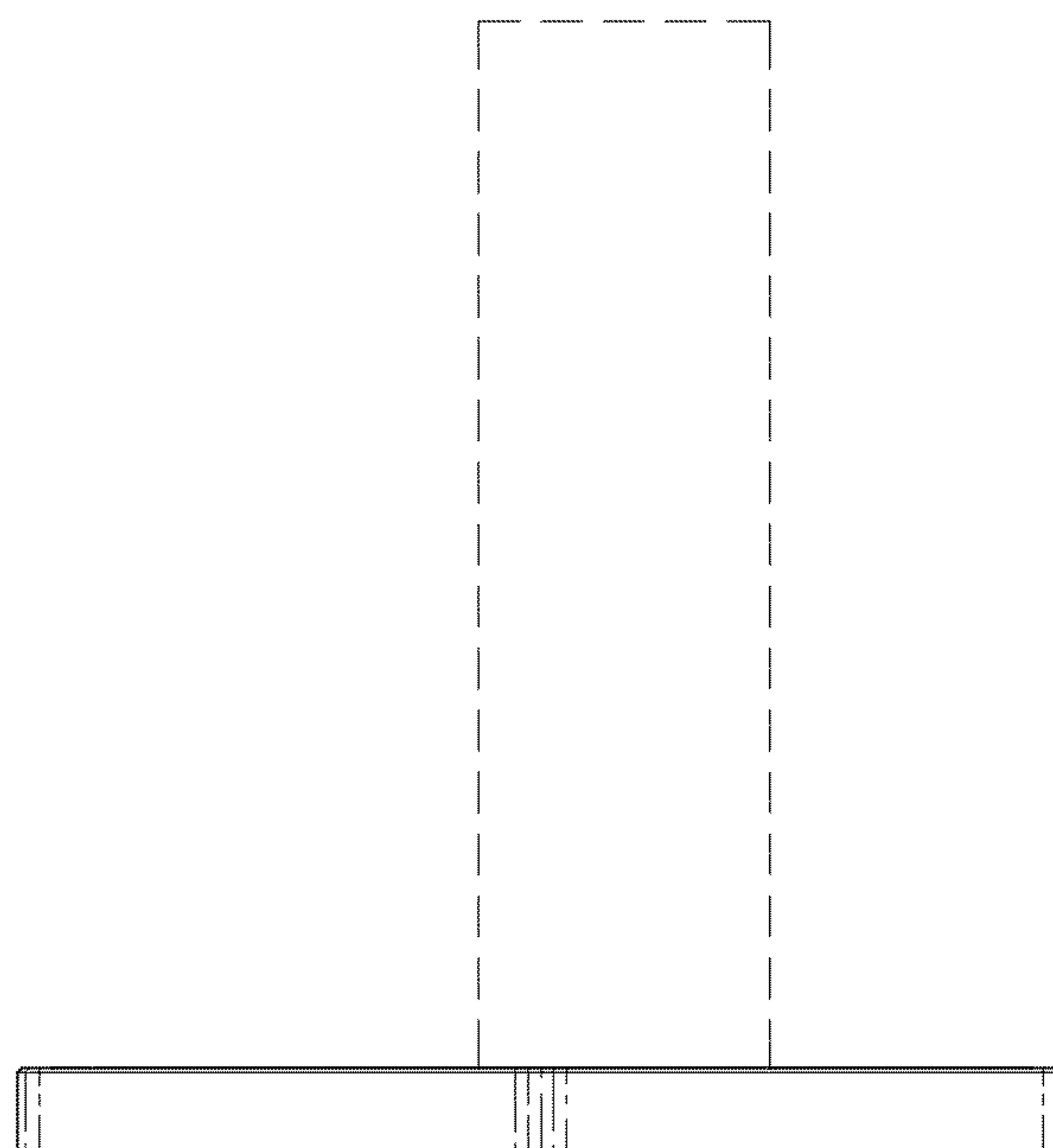


FIG. 6

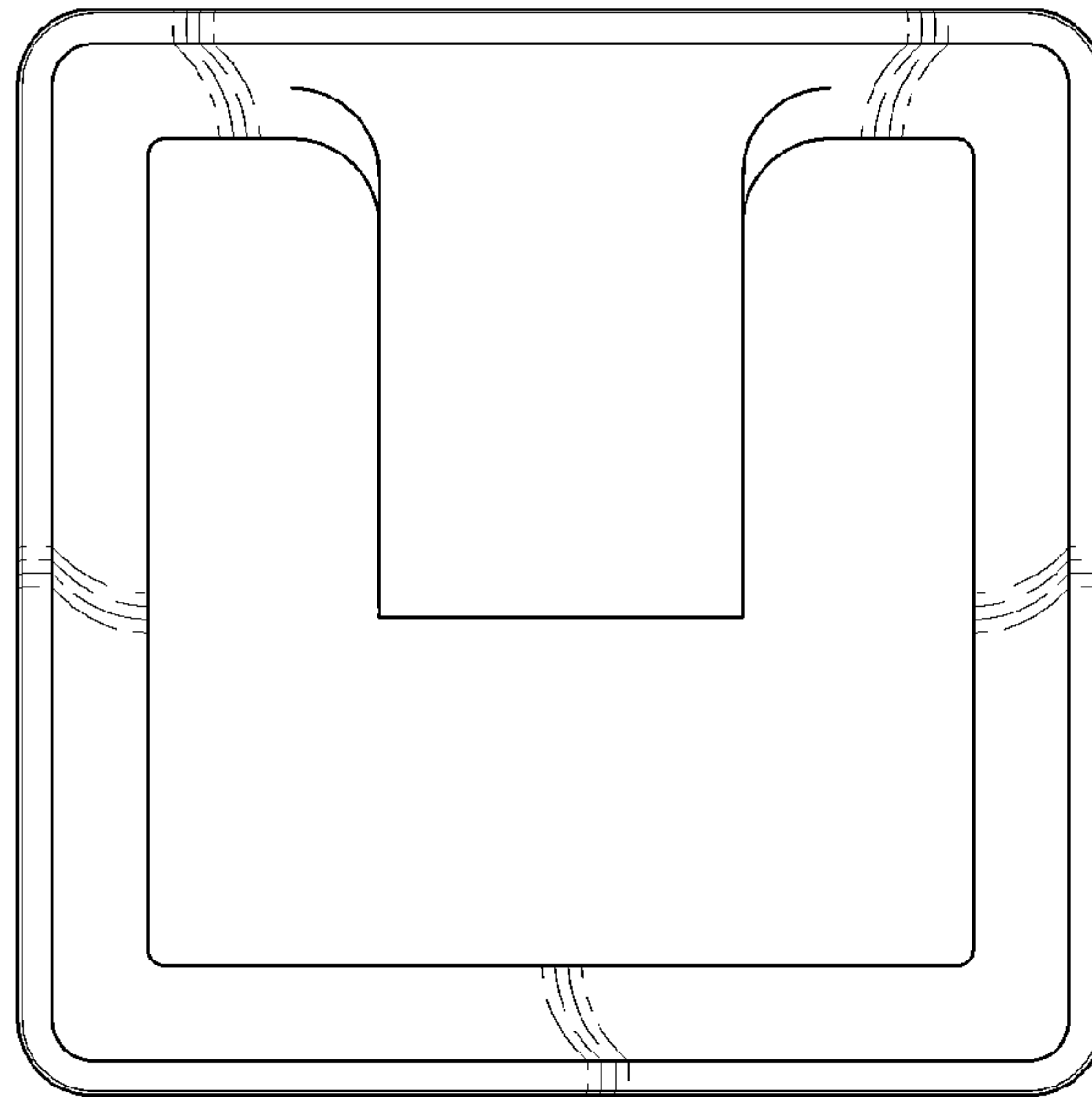


FIG. 7

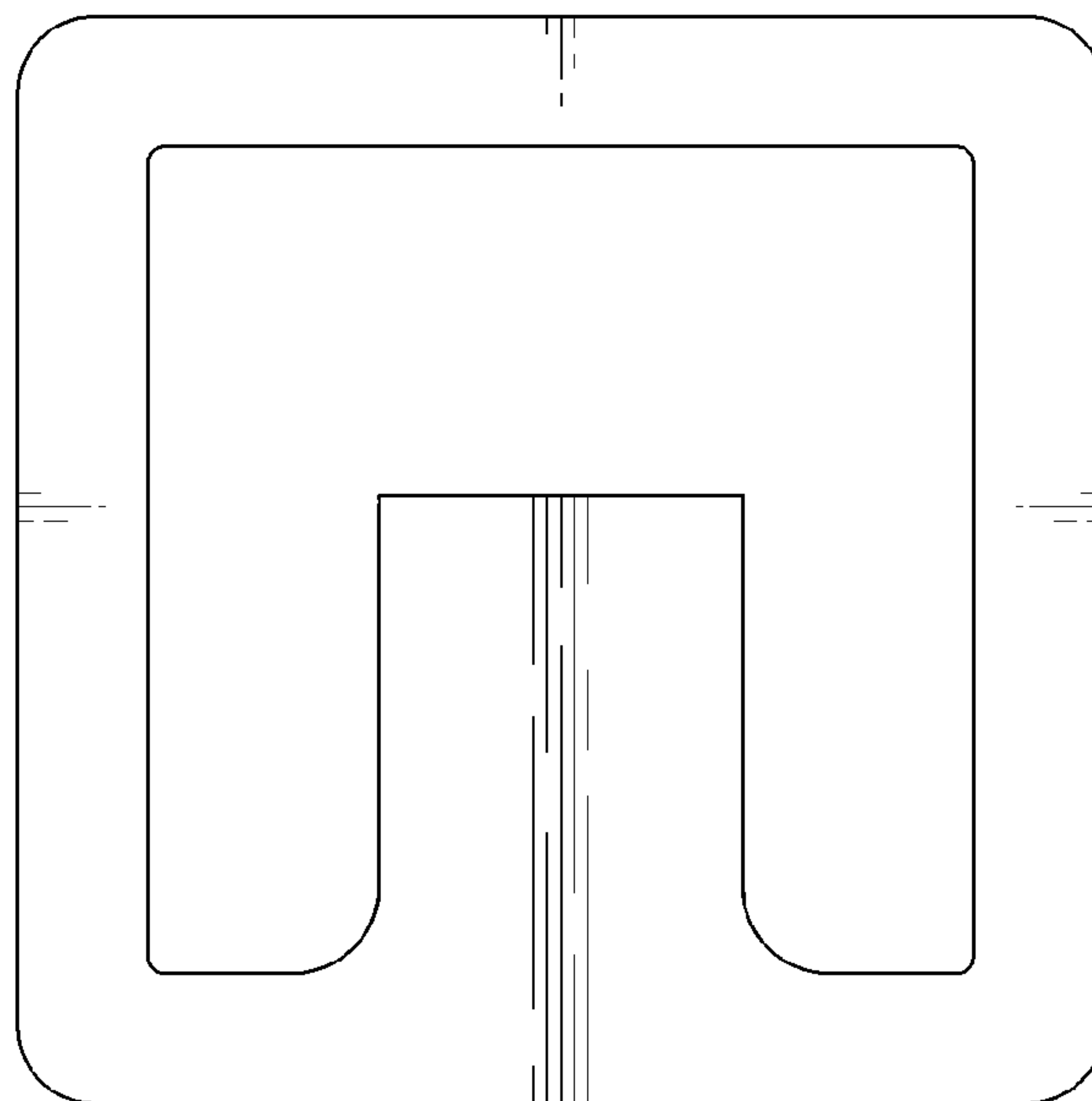


FIG. 8

