



US00D708164S

(12) **United States Design Patent**
Ishikura

(10) **Patent No.:** **US D708,164 S**
(45) **Date of Patent:** **** Jul. 1, 2014**

(54) **HEADPHONES**

(71) Applicant: **Panasonic Corporation**, Osaka (JP)

(72) Inventor: **Mikiyasu Ishikura**, Osaka (JP)

(73) Assignee: **Panasonic Corporation**, Osaka (JP)

(**) Term: **14 Years**

(21) Appl. No.: **29/461,656**

(22) Filed: **Jul. 26, 2013**

(30) **Foreign Application Priority Data**

Feb. 18, 2013 (JP) 2013-003133

(51) **LOC (10) Cl.** **14-01**

(52) **U.S. Cl.**
USPC **D14/205**

(58) **Field of Classification Search**
CPC H04R 1/1066
USPC D14/205, 223; D29/112; 2/209, 171,
2/271; 181/129, 130, 135; 379/430, 431;
381/380, 381, 374; 455/90.3, 575.2
See application file for complete search history.

(56) **References Cited**

U.S. PATENT DOCUMENTS

2,782,423 A * 2/1957 Simon et al. 2/209
D431,550 S * 10/2000 Yoneda D14/205
D510,335 S * 10/2005 Suzuki D14/205
D514,087 S * 1/2006 Wilson et al. D14/206
7,457,649 B1 * 11/2008 Wilson 455/575.2
D585,871 S * 2/2009 Lee D14/205

D585,872 S * 2/2009 Lee D14/205
D594,847 S * 6/2009 Suzuki D14/205
D597,070 S * 7/2009 Zheng D14/205
D600,674 S * 9/2009 Brennwald D14/205
D603,370 S * 11/2009 Suzuki D14/205
D637,579 S * 5/2011 Hamaura et al. D14/205
D639,775 S * 6/2011 Horibe et al. D14/205
D639,776 S * 6/2011 Arimoto D14/205
D666,990 S * 9/2012 Komiyama et al. D14/205
D691,583 S * 10/2013 Kitayama D14/205

FOREIGN PATENT DOCUMENTS

JP D1394061 8/2010

* cited by examiner

Primary Examiner — Paula Greene

(74) *Attorney, Agent, or Firm* — Panasonic Patent Center

(57) **CLAIM**

I claim the ornamental design for headphones, as shown and described.

DESCRIPTION

FIG. 1 is a front perspective view of headphones of the present invention;

FIG. 2 is a front view thereof;

FIG. 3 is a rear view thereof;

FIG. 4 is a first side view thereof;

FIG. 5 is a second side view thereof;

FIG. 6 is a top view thereof; and,

FIG. 7 is a bottom view thereof.

The broken line showing of headphones is included for the purpose of illustrating environment and forms no part of the claimed design.

1 Claim, 7 Drawing Sheets

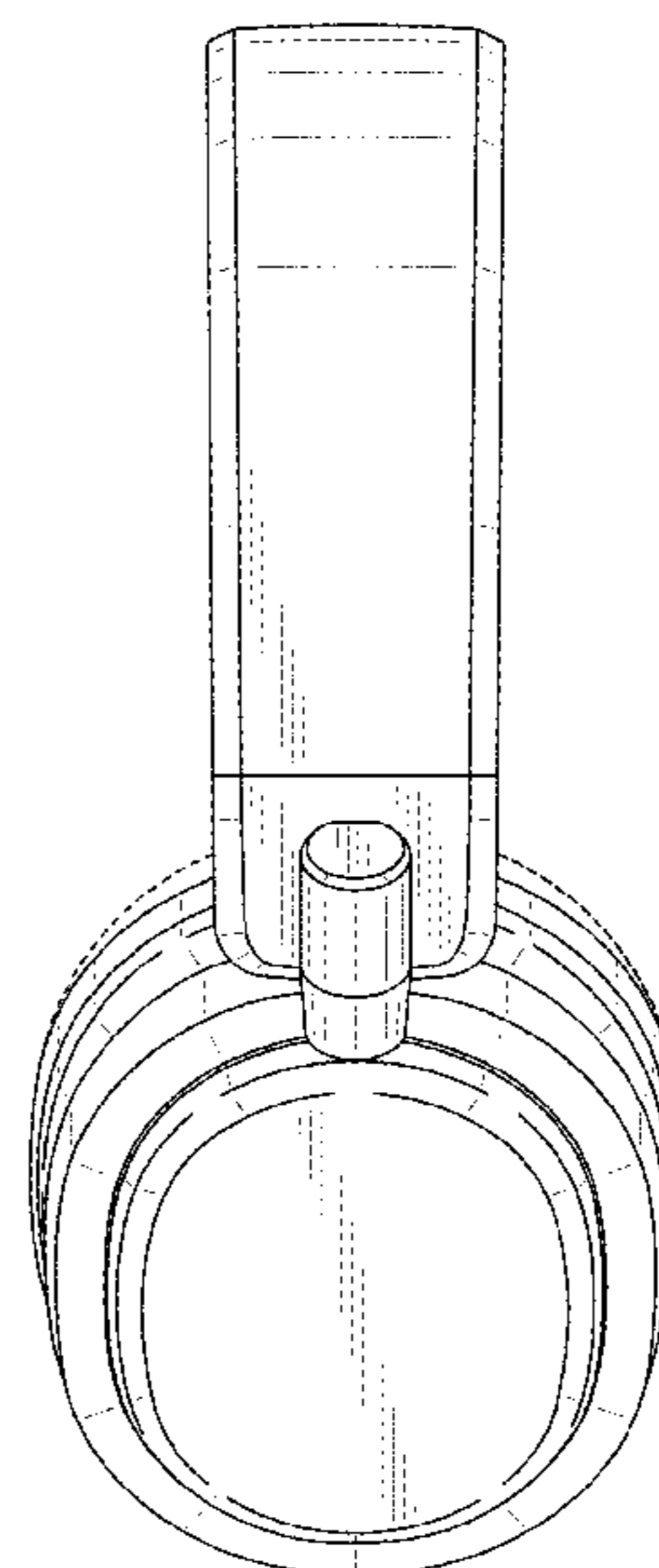
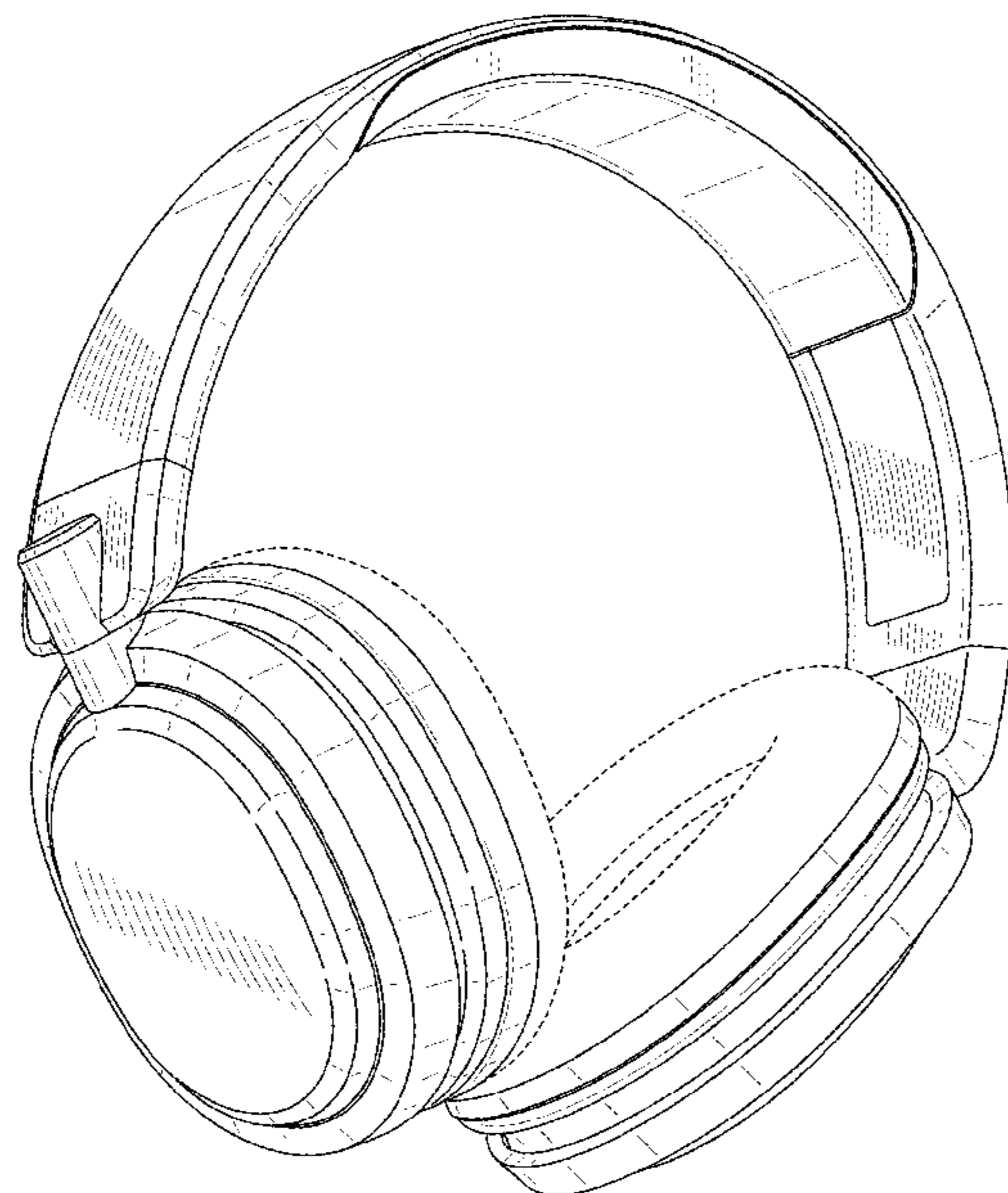


FIG. 1

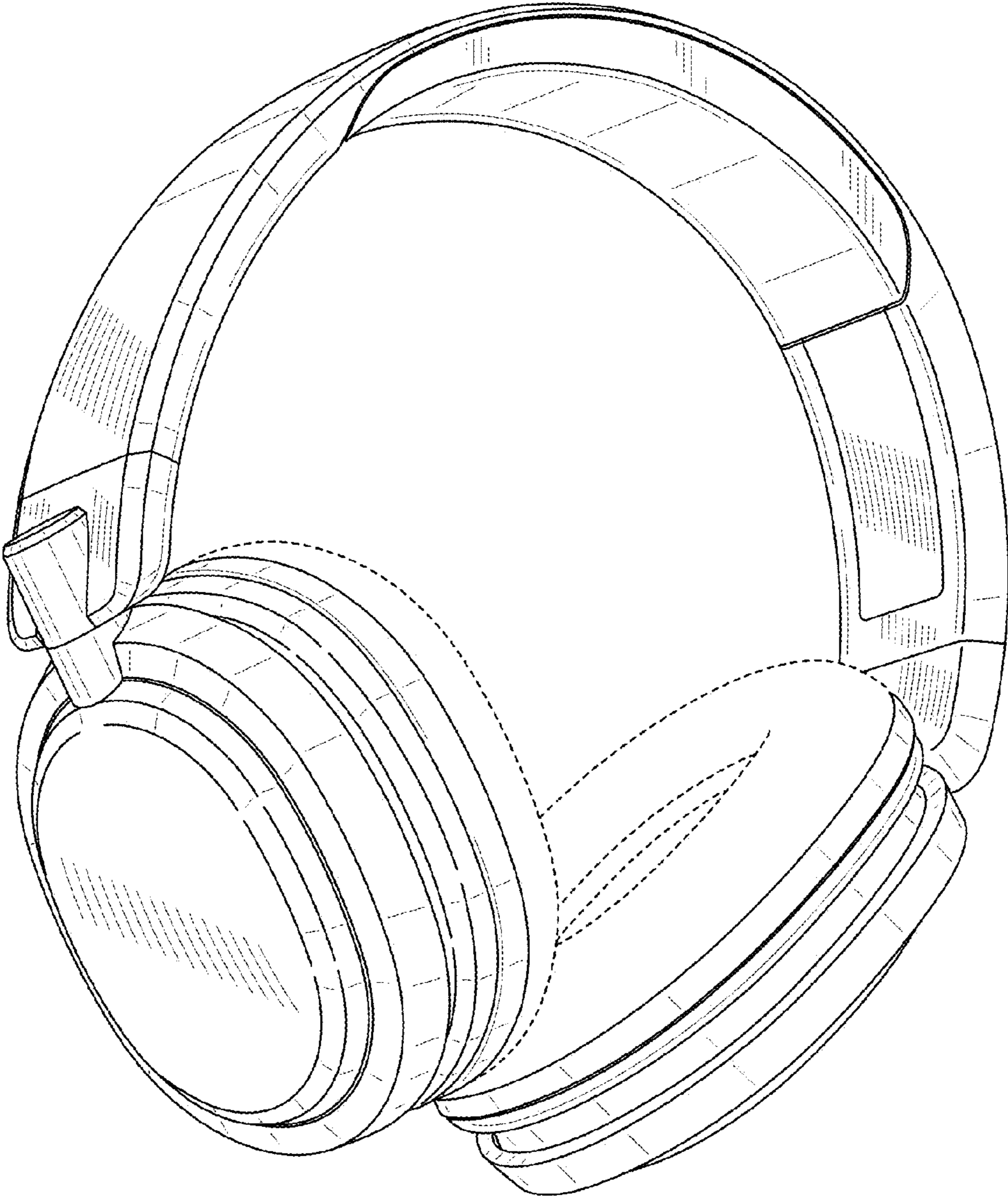


FIG. 2

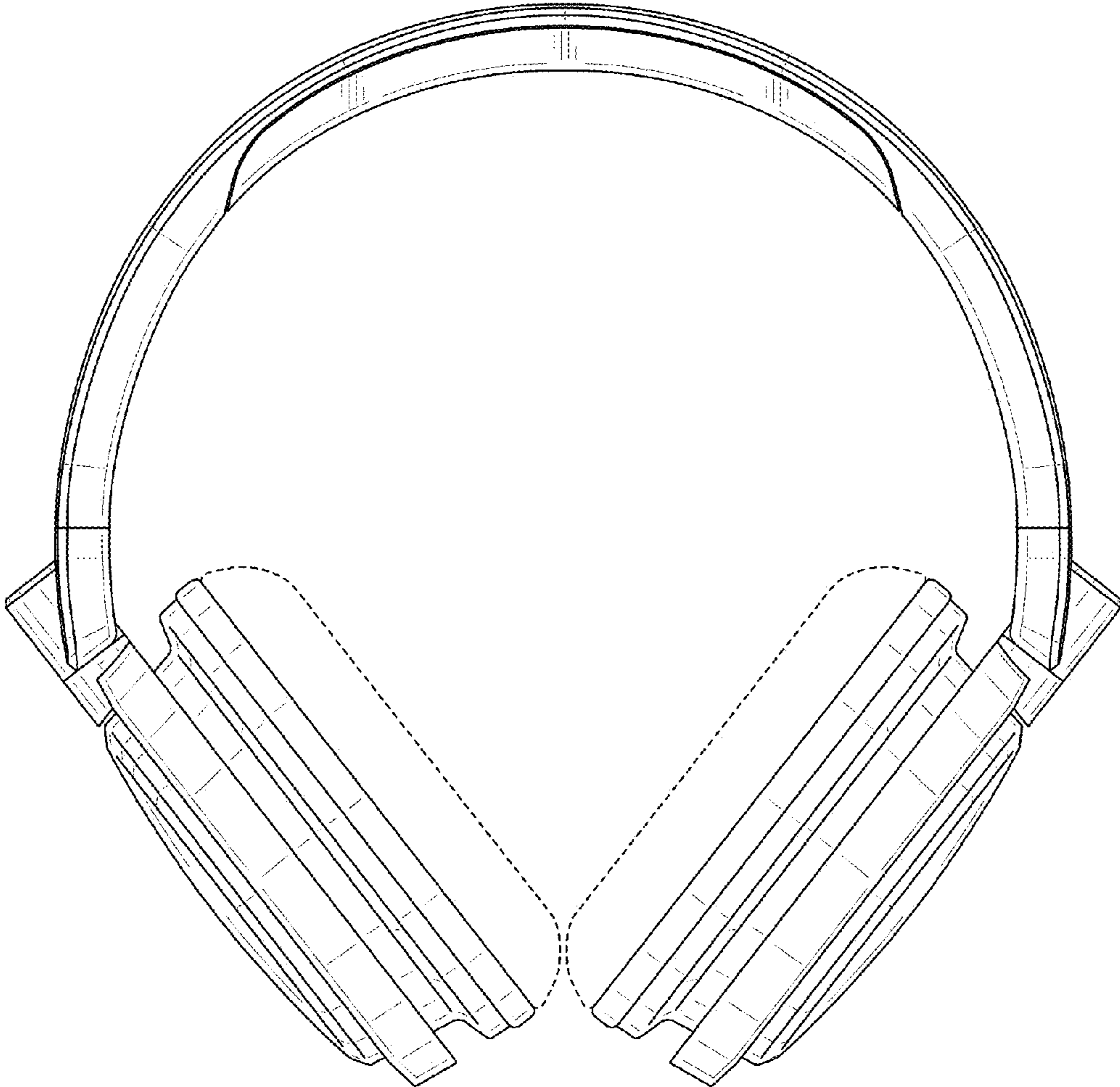


FIG. 3

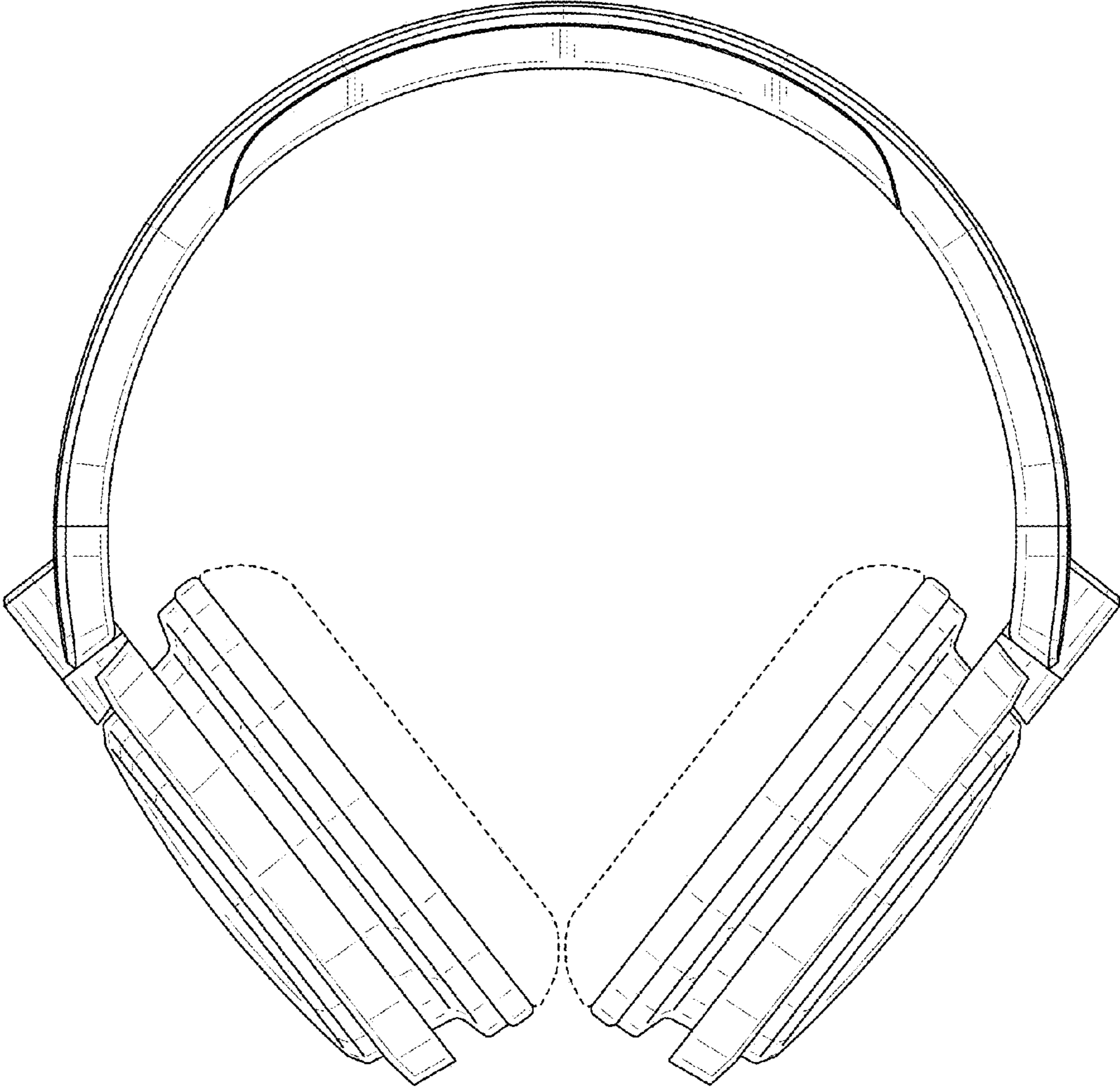


FIG. 4

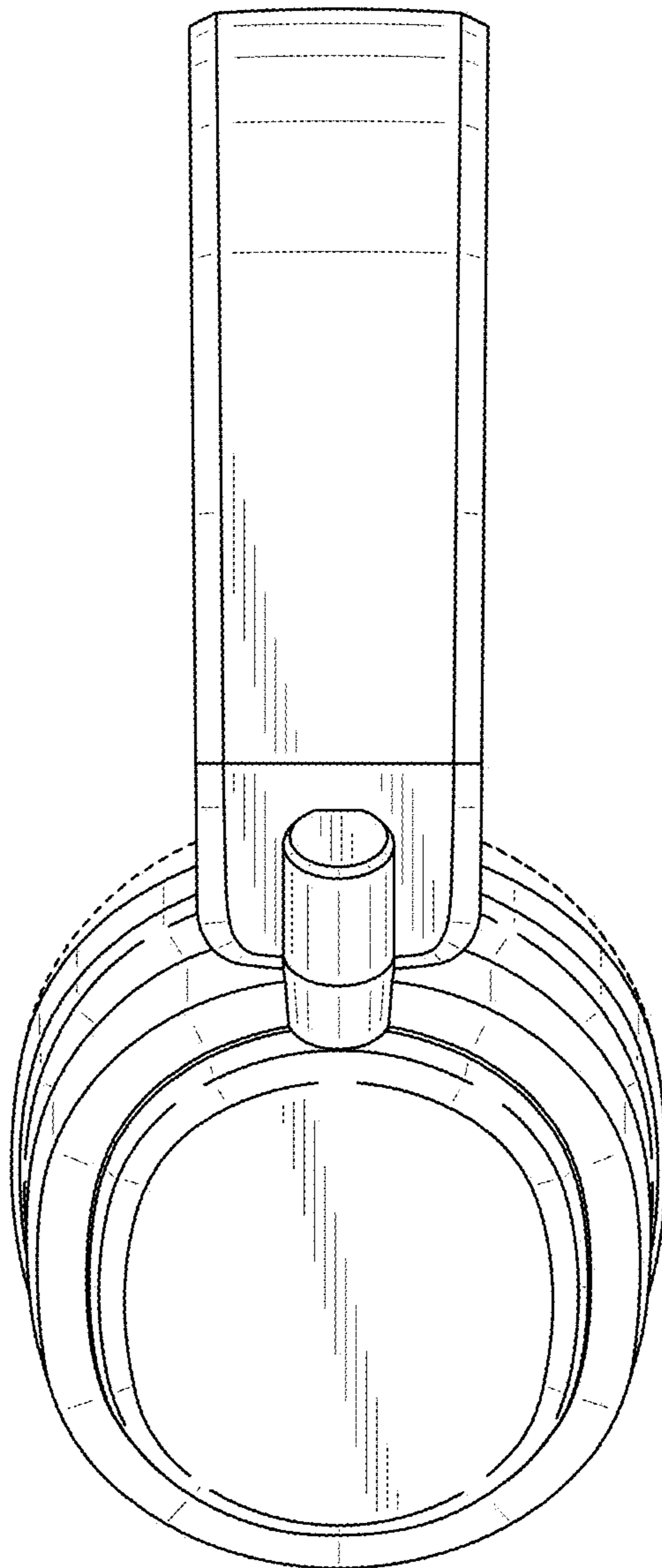


FIG. 5

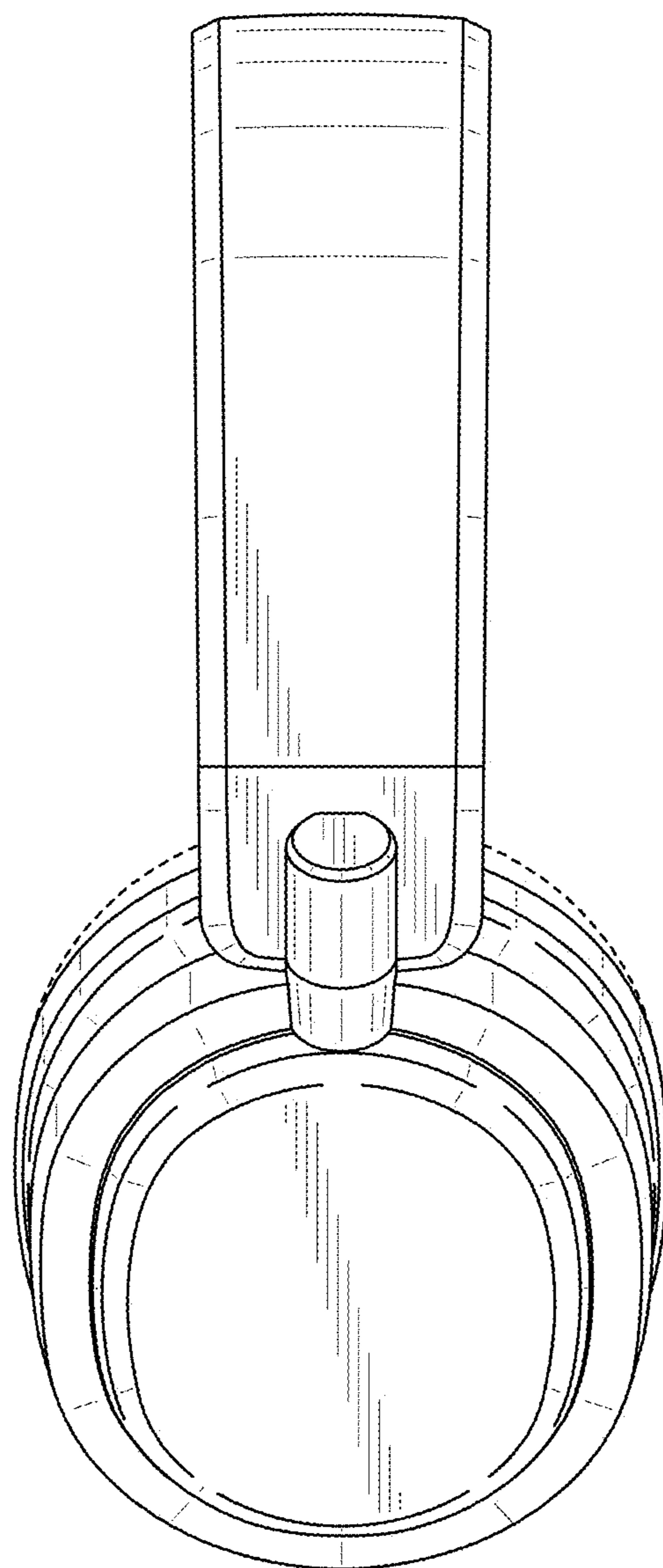


FIG. 6

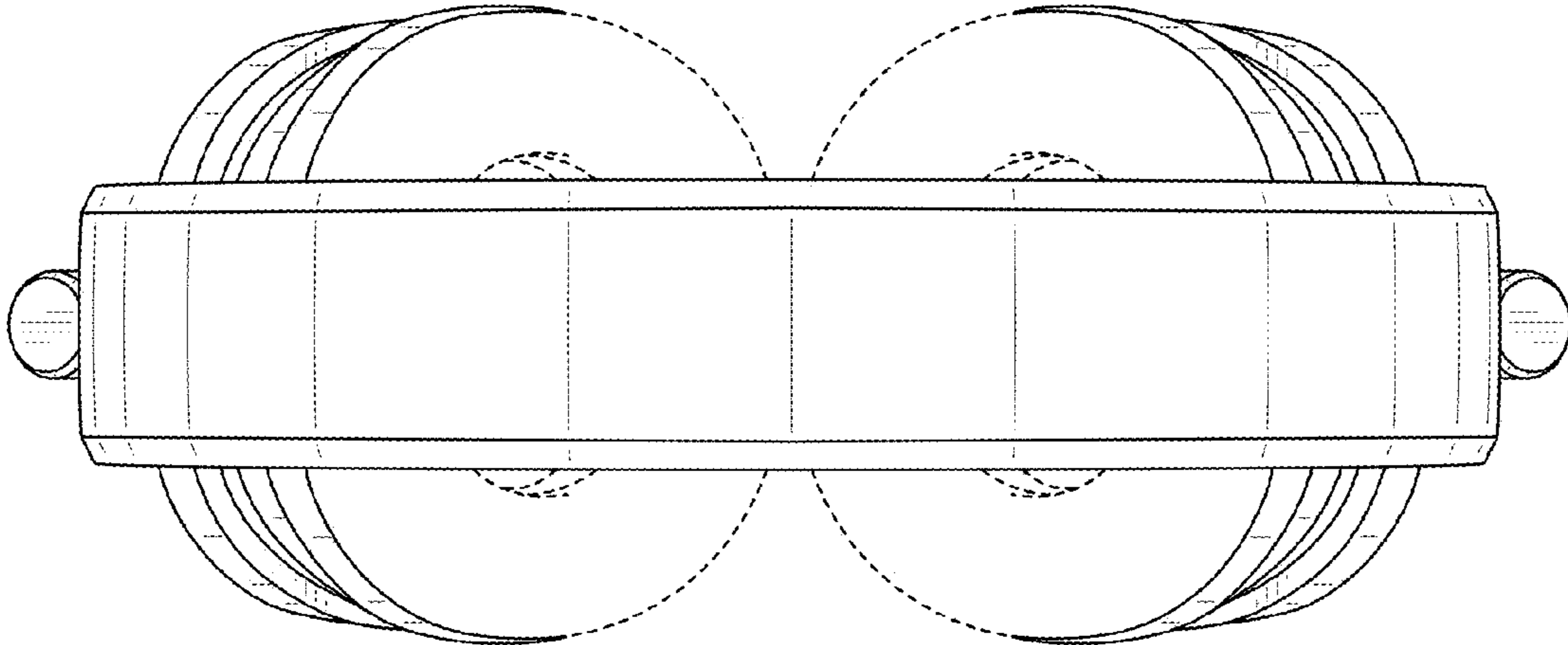


FIG. 7

