



US00D708163S

(12) **United States Design Patent**  
**Ishikura**

(10) **Patent No.:** **US D708,163 S**  
(45) **Date of Patent:** **\*\* Jul. 1, 2014**

(54) **HEADPHONES**

(71) Applicant: **Panasonic Corporation**, Osaka (JP)

(72) Inventor: **Mikiyasu Ishikura**, Osaka (JP)

(73) Assignee: **Panasonic Corporation**, Osaka (JP)

(\*\*) Term: **14 Years**

(21) Appl. No.: **29/461,655**

(22) Filed: **Jul. 26, 2013**

(30) **Foreign Application Priority Data**

Feb. 18, 2013 (JP) ..... 2013-003134

(51) **LOC (10) Cl.** ..... **14-01**

(52) **U.S. Cl.**  
USPC ..... **D14/205**

(58) **Field of Classification Search**  
CPC ..... H04R 1/1066  
USPC ..... D14/205, 223; D29/112; 2/209, 171,  
2/271; 132/273, 275; 181/129, 130, 135;  
379/430, 431; 381/380, 381, 374;  
455/90.3, 575.2

See application file for complete search history.

(56) **References Cited**

**U.S. PATENT DOCUMENTS**

D328,074 S \* 7/1992 Yamazaki et al. .... D14/205  
D336,646 S \* 6/1993 Yamazaki et al. .... D14/205  
5,987,647 A \* 11/1999 Ouellette ..... 2/171  
D538,261 S \* 3/2007 Taylor et al. .... D14/205

D571,354 S \* 6/2008 Ng ..... D14/205  
D594,847 S \* 6/2009 Suzuki ..... D14/205  
D603,370 S \* 11/2009 Suzuki ..... D14/205  
D625,705 S \* 10/2010 Ohori et al. .... D14/205  
D639,776 S \* 6/2011 Arimoto ..... D14/205  
D683,329 S \* 5/2013 Hagelin ..... D14/205  
D684,141 S \* 6/2013 Takamoto ..... D14/205  
D689,843 S \* 9/2013 Lee ..... D14/205  
D691,579 S \* 10/2013 Lee et al. .... D14/205  
D699,702 S \* 2/2014 Chen ..... D14/205

**FOREIGN PATENT DOCUMENTS**

JP D1394061 8/2010

\* cited by examiner

*Primary Examiner* — Paula Greene

(74) *Attorney, Agent, or Firm* — Panasonic Patent Center

(57) **CLAIM**

I claim the ornamental design for headphones, as shown and described.

**DESCRIPTION**

FIG. 1 is a front perspective view of headphones of the present invention;

FIG. 2 is a front view thereof; the rear being an identical image

FIG. 3 is a first side view thereof;

FIG. 4 is a second side thereof;

FIG. 5 is a top view thereof; and,

FIG. 6 is a bottom view thereof.

The broken line showing of headphones is included for the purpose of illustrating environment and forms no part of the claimed design.

**1 Claim, 6 Drawing Sheets**

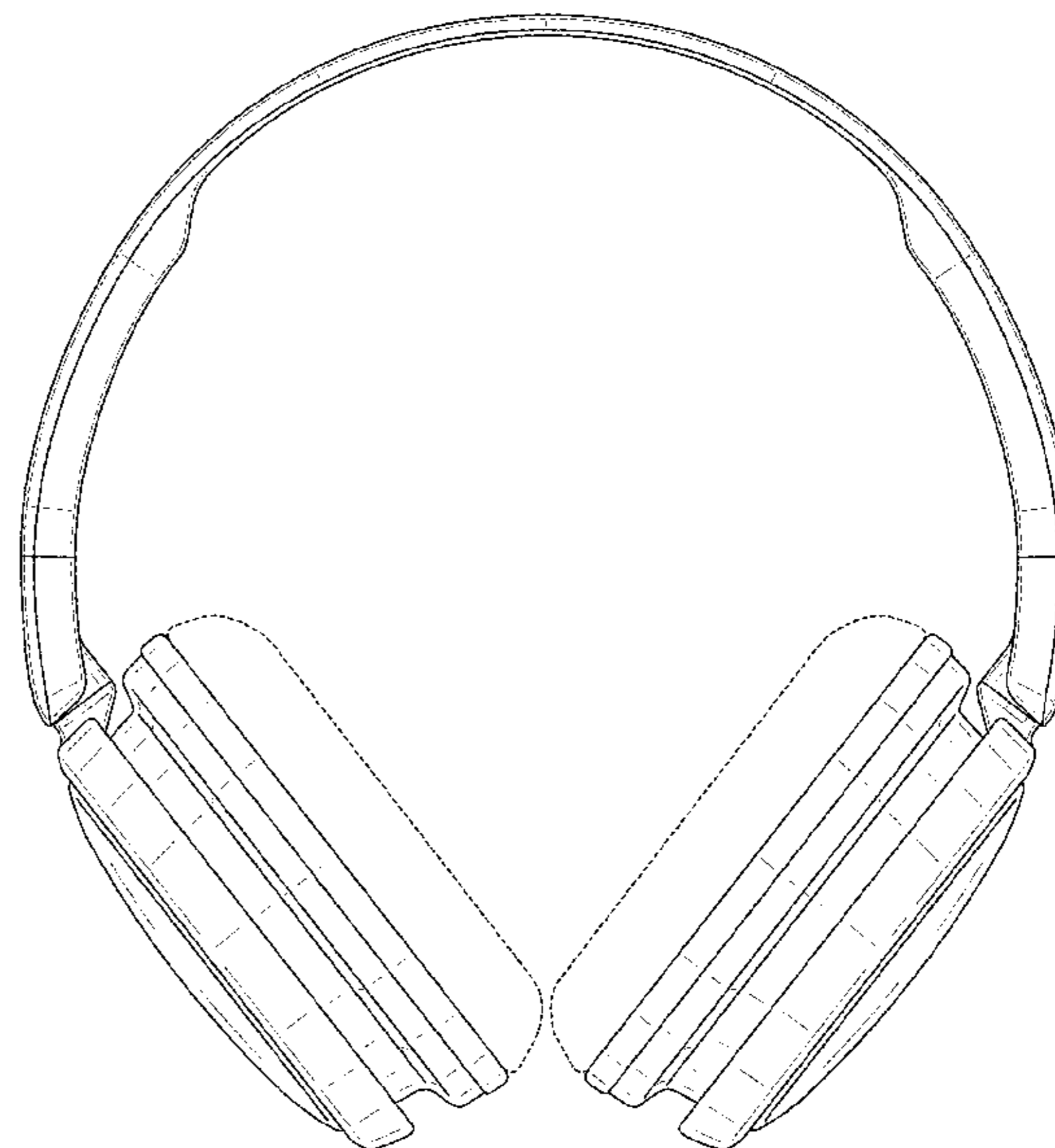
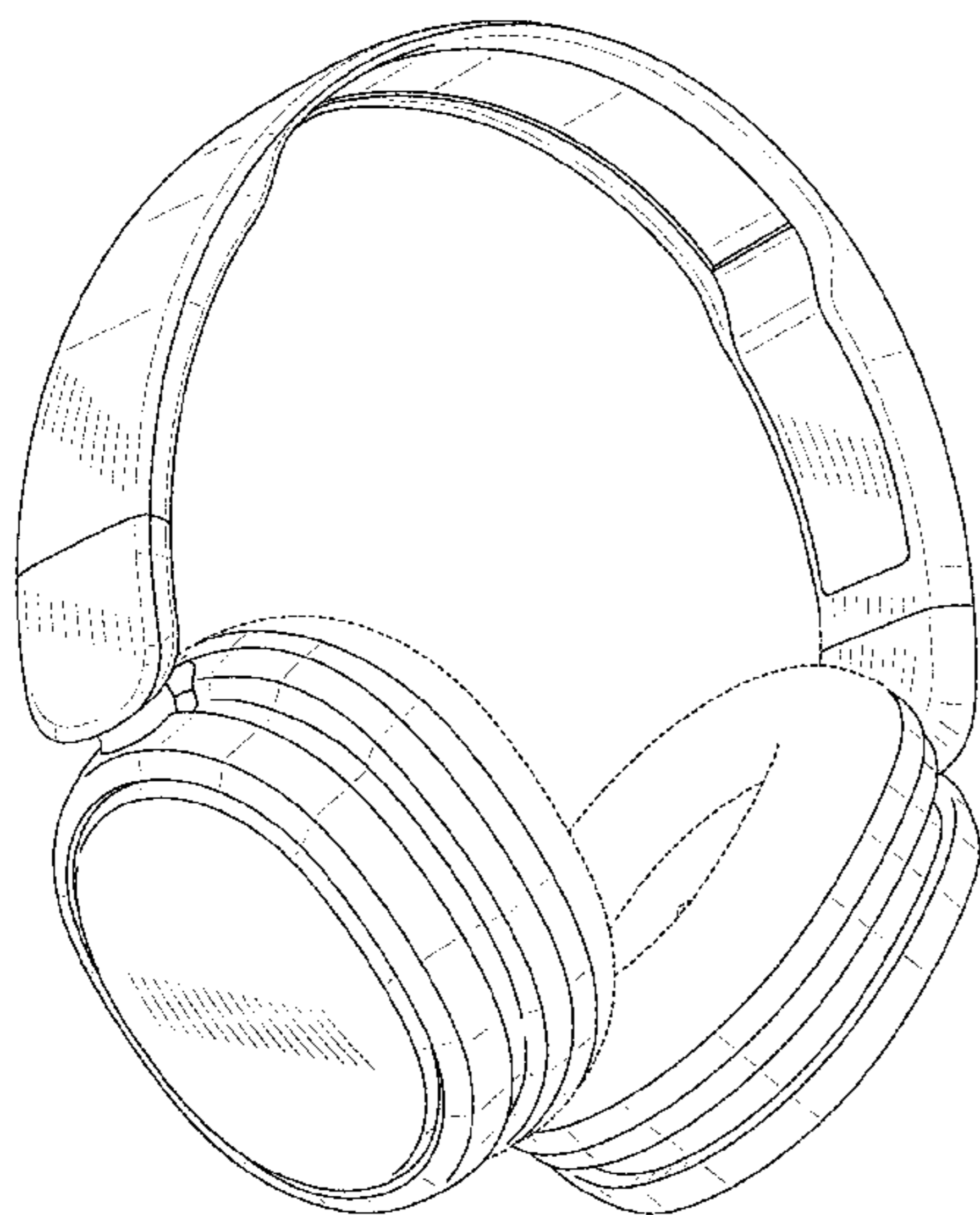


FIG. 1

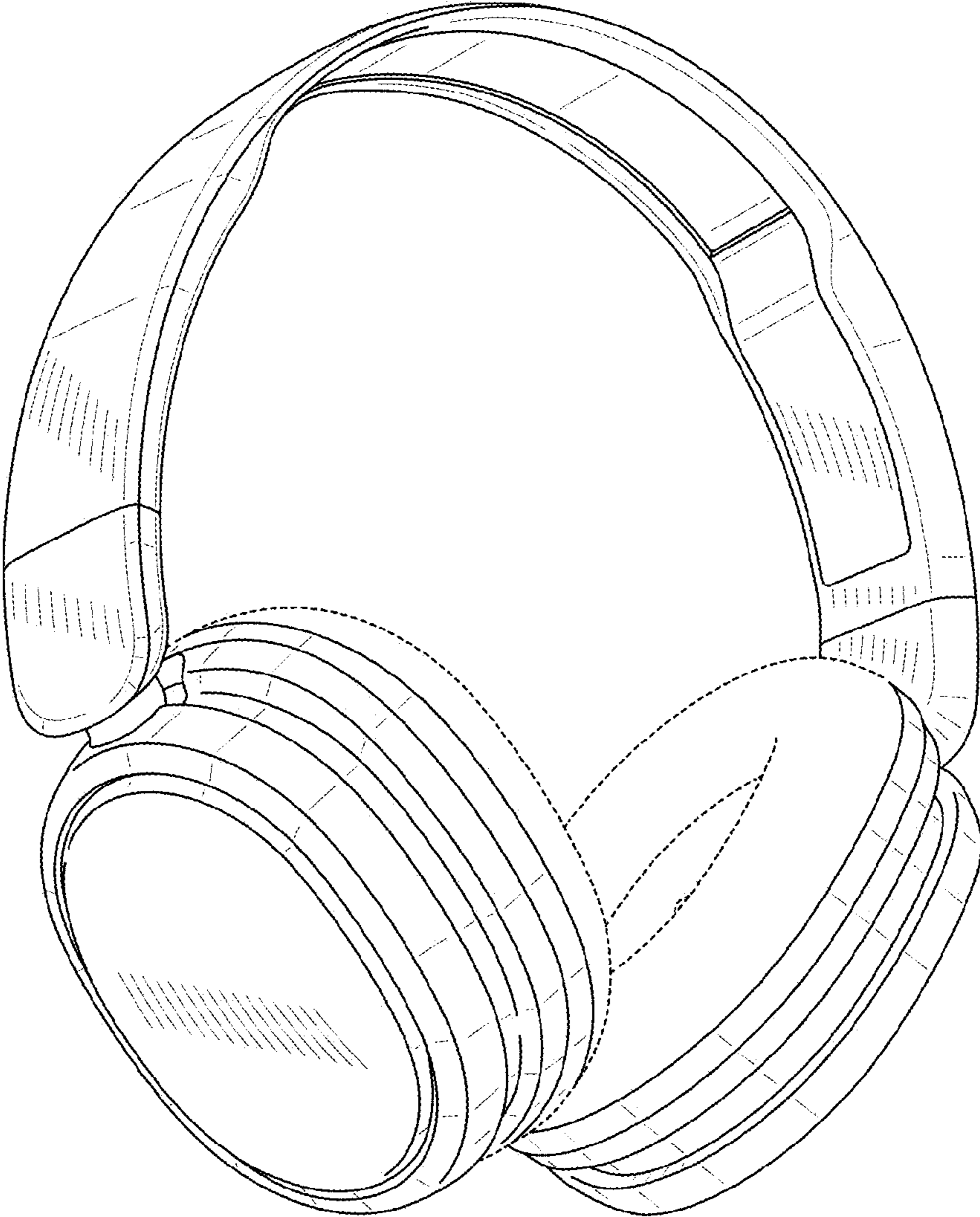


FIG. 2

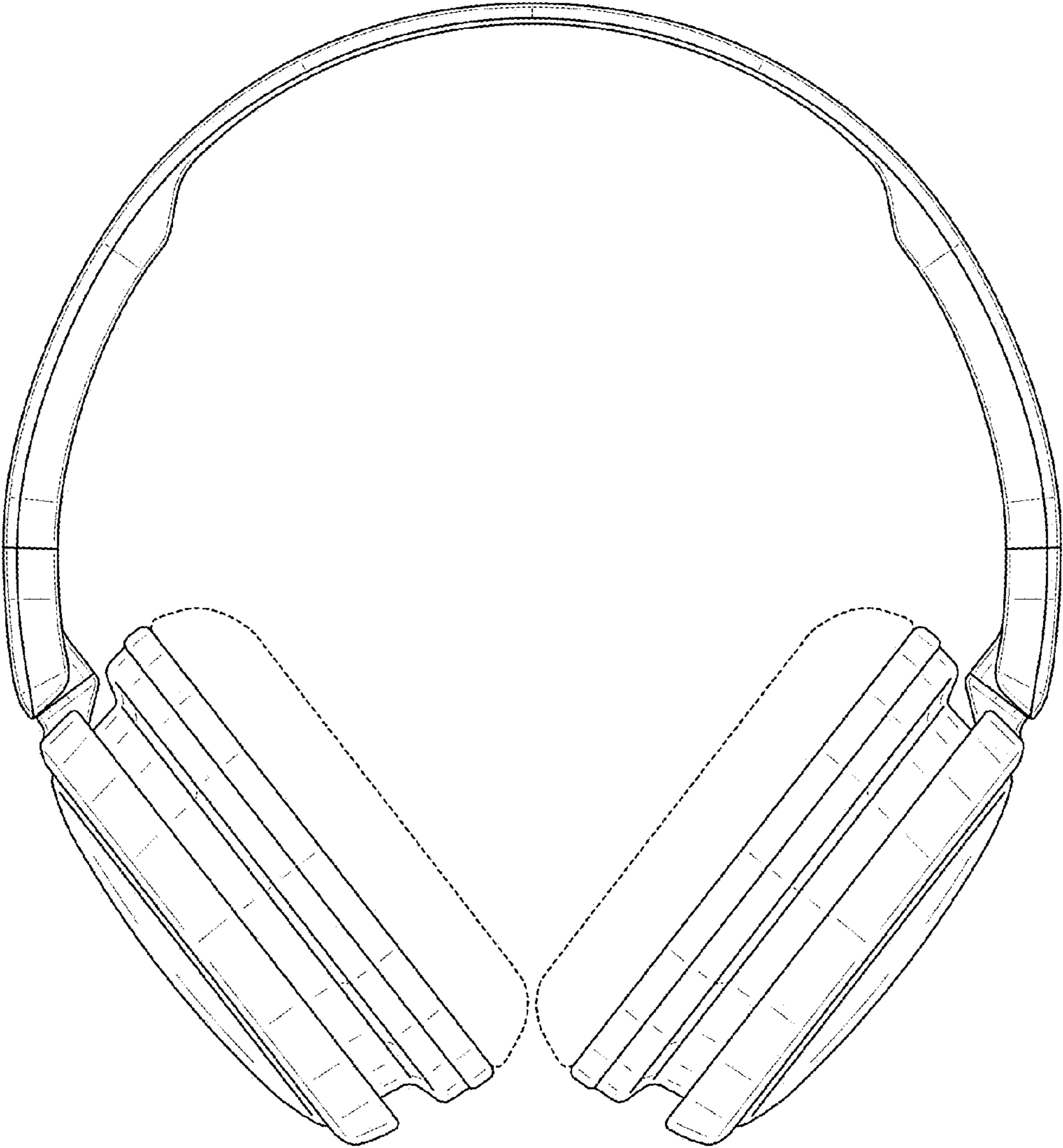


FIG. 3

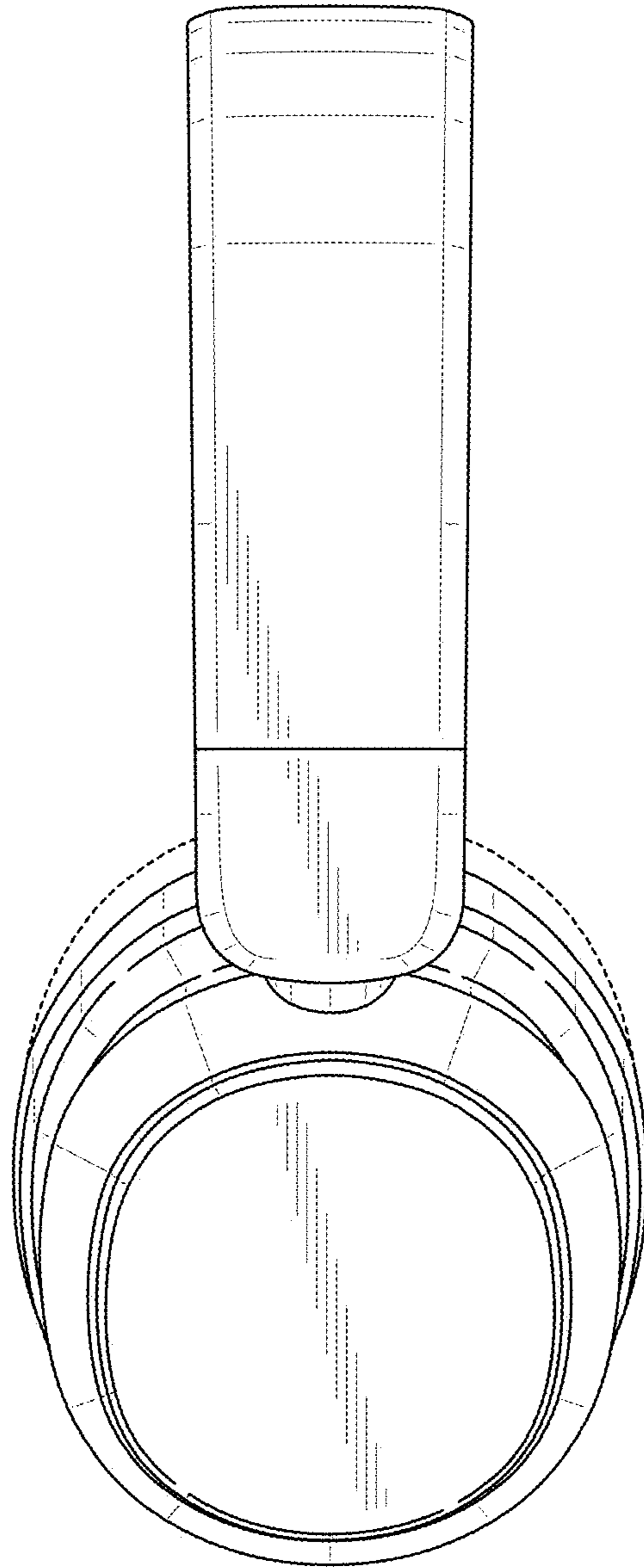


FIG. 4

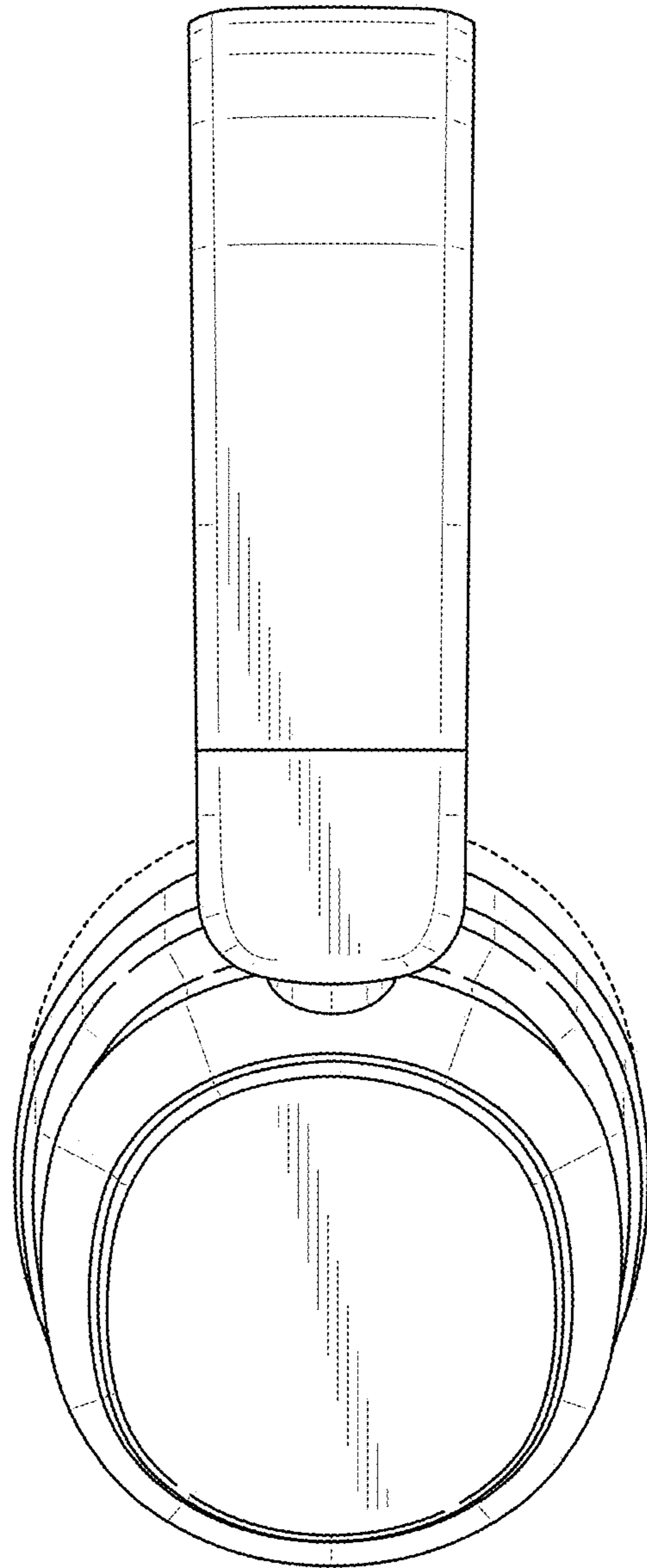


FIG. 5

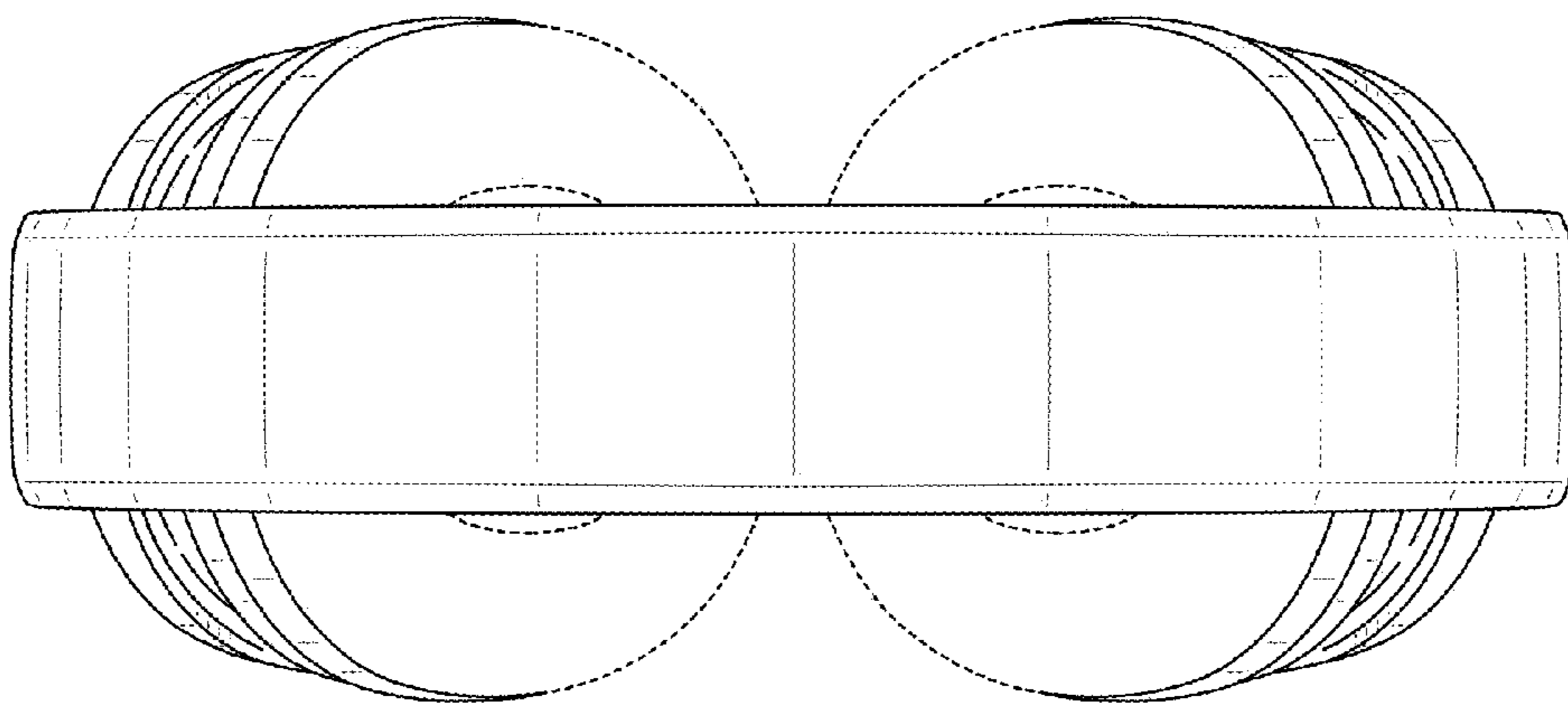


FIG. 6

