



US00D708158S

(12) **United States Design Patent**  
**Minyard**

(10) **Patent No.:** **US D708,158 S**  
(45) **Date of Patent:** **\*\* Jul. 1, 2014**

(54) **THREE MONITOR SYSTEM**

(71) Applicant: **Charles Nolan Minyard**, Orange, CA  
(US)

(72) Inventor: **Charles Nolan Minyard**, Orange, CA  
(US)

(\*\*) Term: **14 Years**

(21) Appl. No.: **29/436,077**

(22) Filed: **Oct. 31, 2012**

(51) **LOC (10) Cl.** ..... **14-03**

(52) **U.S. Cl.**  
USPC ..... **D14/127**

(58) **Field of Classification Search**  
USPC ..... D14/125-134, 239, 371, 136, 374-377,  
D14/440, 450, 448, 336, 342, 159; 312/7.2;  
348/836, 838, 180, 184, 325, 739;  
248/917-924, 465; 345/104, 133, 156,  
345/168, 87, 173; D21/329, 515, 577, 622,  
D21/333, 433, 448, 452, 450, 331, 505;  
D10/15, 26; 446/484, 175, 356;  
D6/477, 479, 300  
See application file for complete search history.

(56) **References Cited**

**U.S. PATENT DOCUMENTS**

5,687,939 A 11/1997 Moscovitch  
D448,024 S \* 9/2001 Kim ..... D14/337  
D449,302 S 10/2001 Jung  
6,554,238 B1 4/2003 Hibberd

D494,941 S 8/2004 Kim  
D499,386 S 12/2004 Yang  
D521,996 S 5/2006 Kim  
D524,313 S 7/2006 Boo  
D528,116 S 9/2006 Won  
D537,079 S 2/2007 Park  
D539,242 S 3/2007 Lee  
D539,281 S 3/2007 Kim  
D540,277 S 4/2007 Kim  
D543,163 S 5/2007 Yang  
D616,403 S \* 5/2010 Roed et al. .... D14/127  
7,710,448 B2 \* 5/2010 De Beer et al. .... 348/14.01  
D634,745 S 3/2011 Park  
D653,917 S \* 2/2012 Ehrenhaus ..... D7/667  
D679,707 S \* 4/2013 Aarrestad et al. .... D14/373

\* cited by examiner

*Primary Examiner* — Raphael Barkai

(74) *Attorney, Agent, or Firm* — Constance Rogers

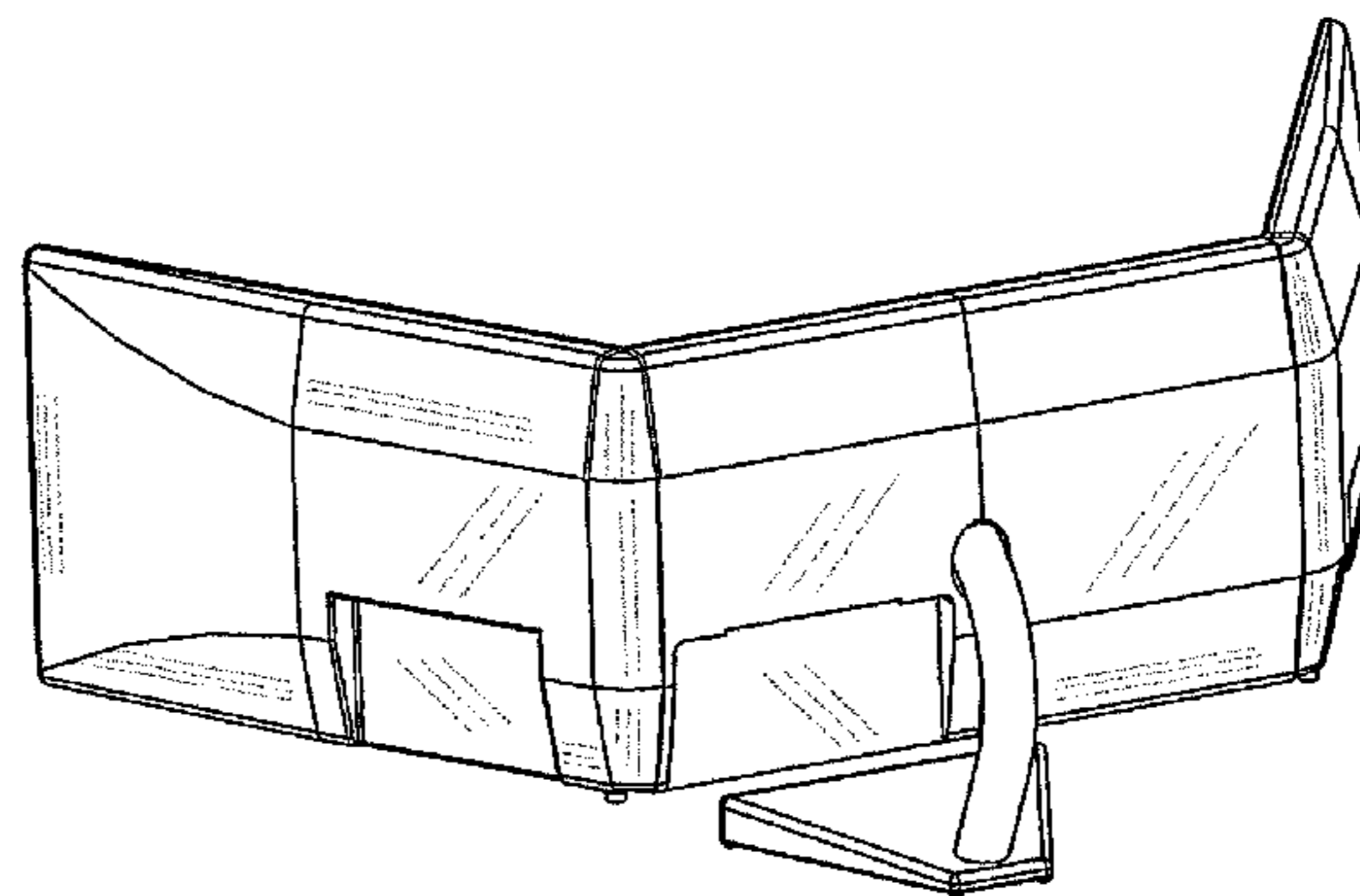
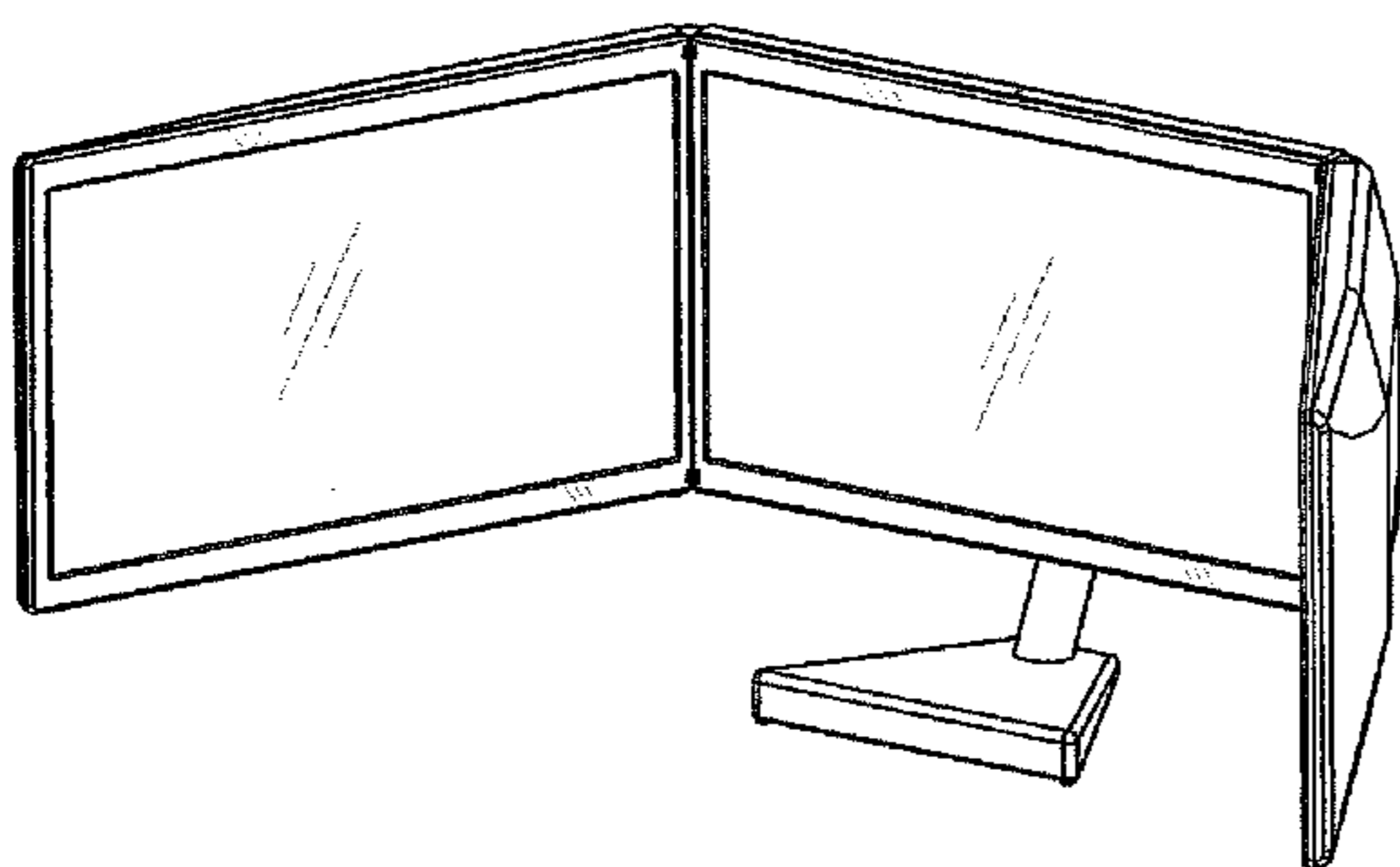
(57) **CLAIM**

The ornamental design for a three monitor system, as shown and described.

**DESCRIPTION**

FIG. 1 is a top front perspective view of a three monitor system showing my new design;  
FIG. 2 is a front elevational view thereof;  
FIG. 3 is a rear elevational view thereof;  
FIG. 4 is a left side elevational view thereof;  
FIG. 5 is a right side elevational view thereof;  
FIG. 6 is a side plane view thereof;  
FIG. 7 is a top plane view thereof; and,  
FIG. 8 is a bottom plane view thereof.

**1 Claim, 3 Drawing Sheets**



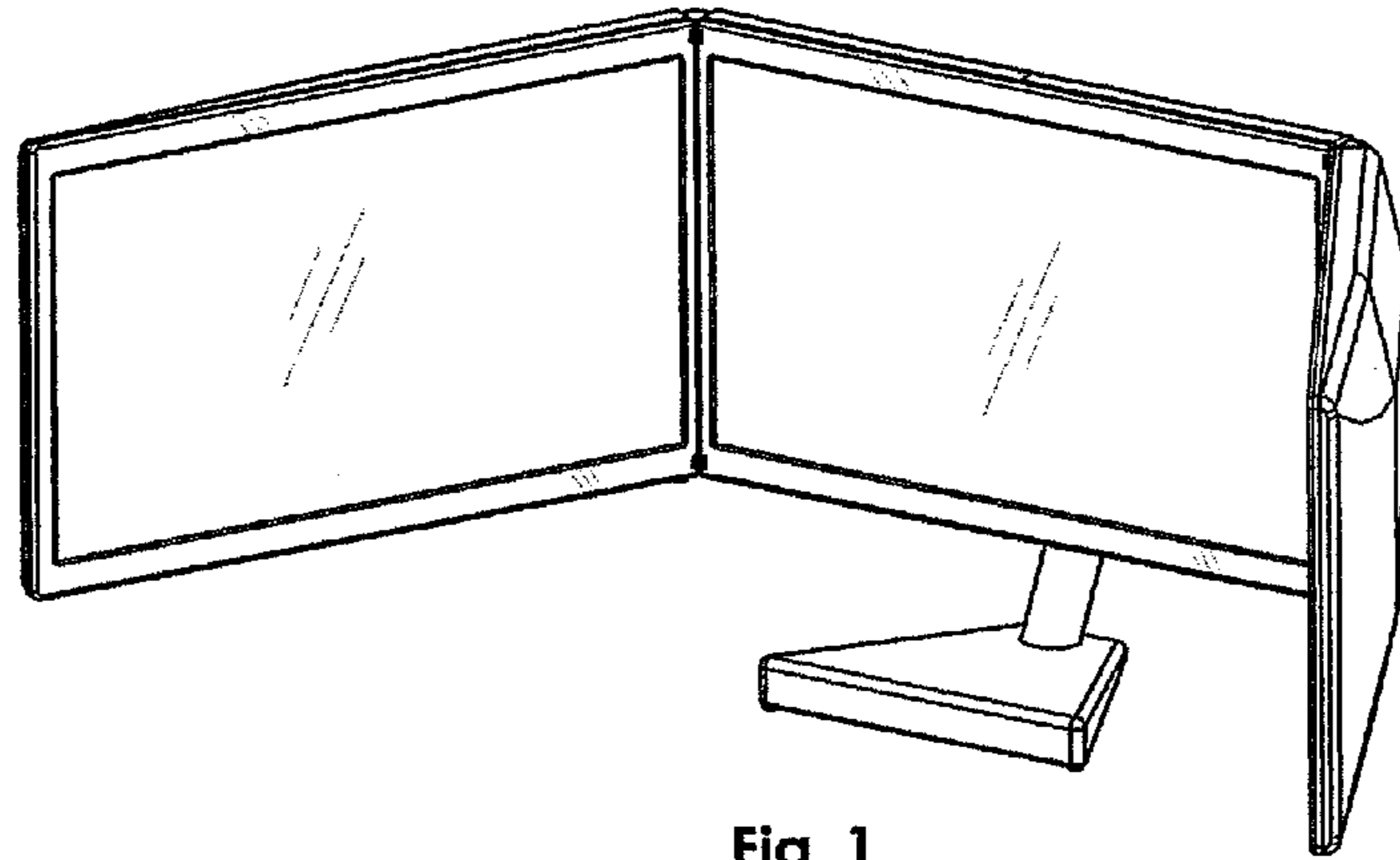


Fig. 1

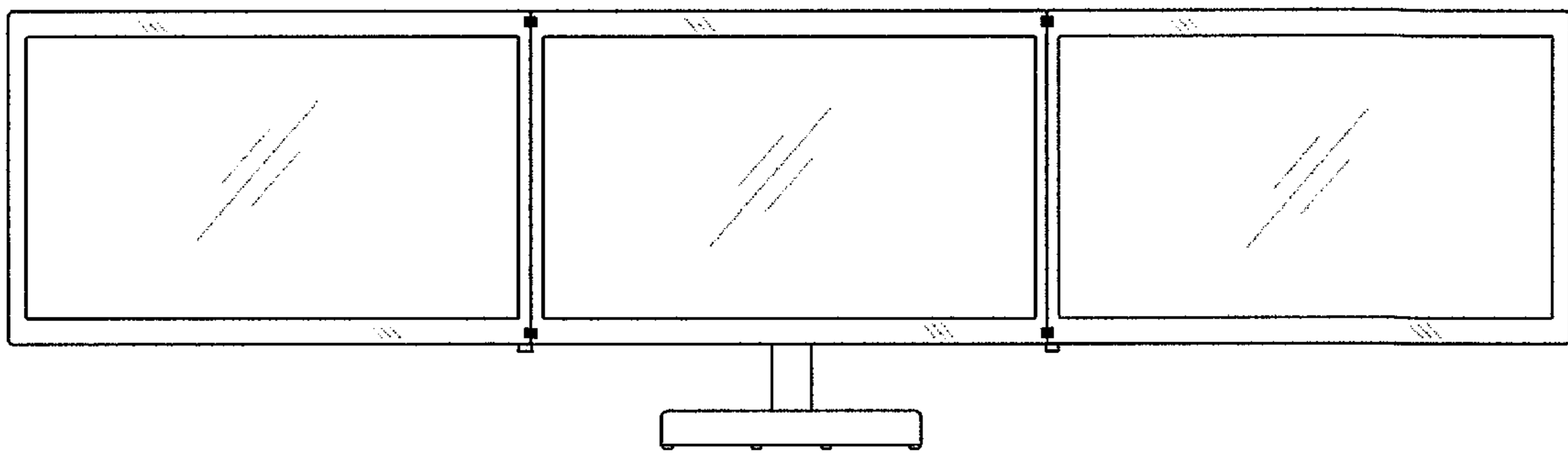


Fig. 2

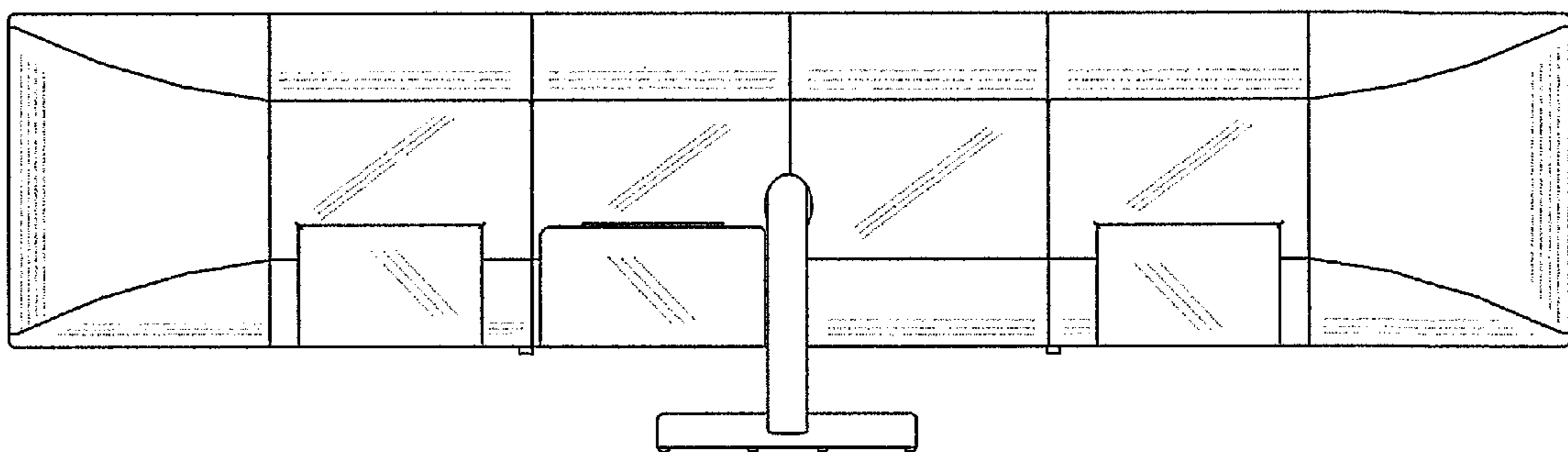


Fig. 3

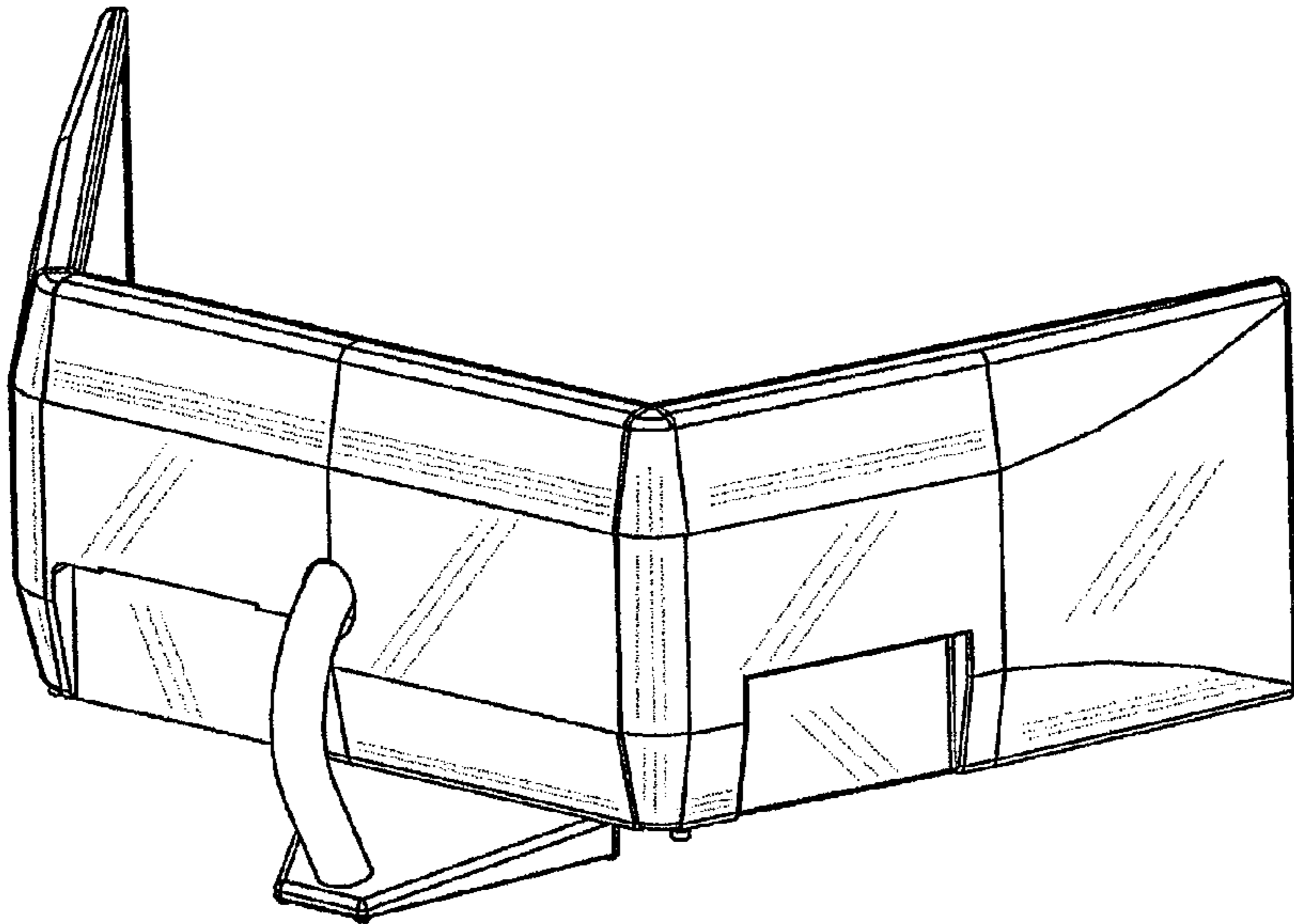


Fig. 4

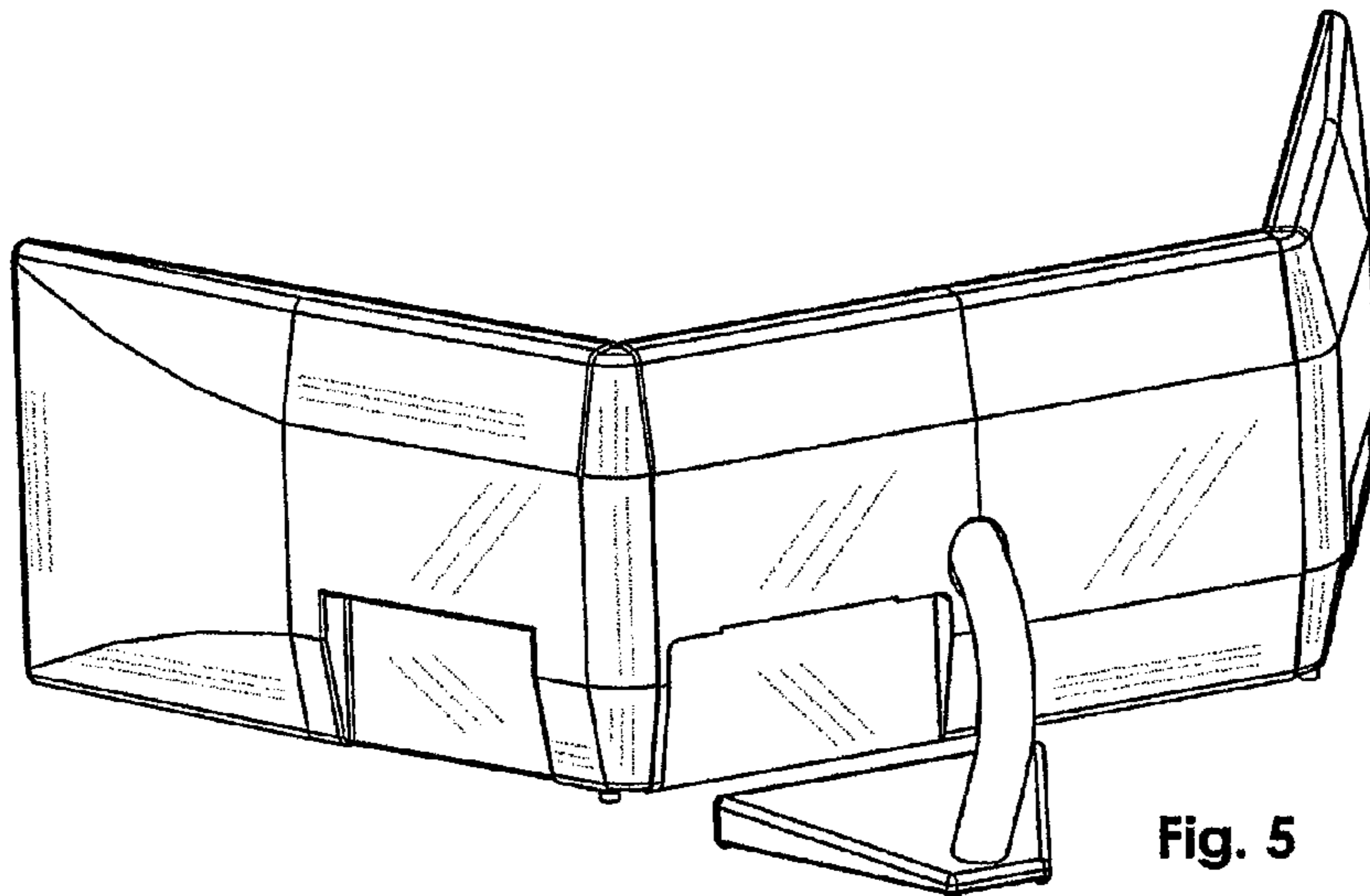


Fig. 5

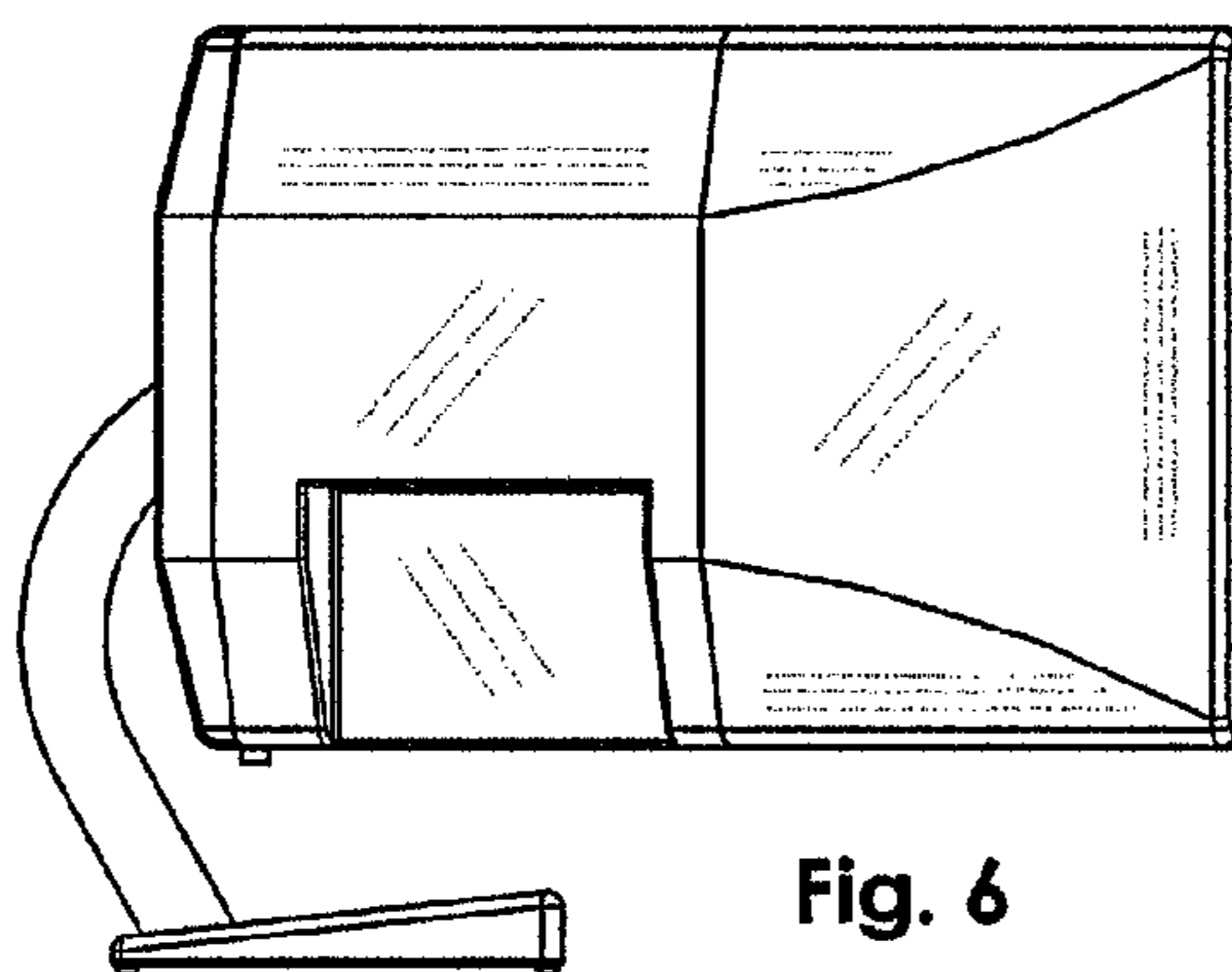


Fig. 6

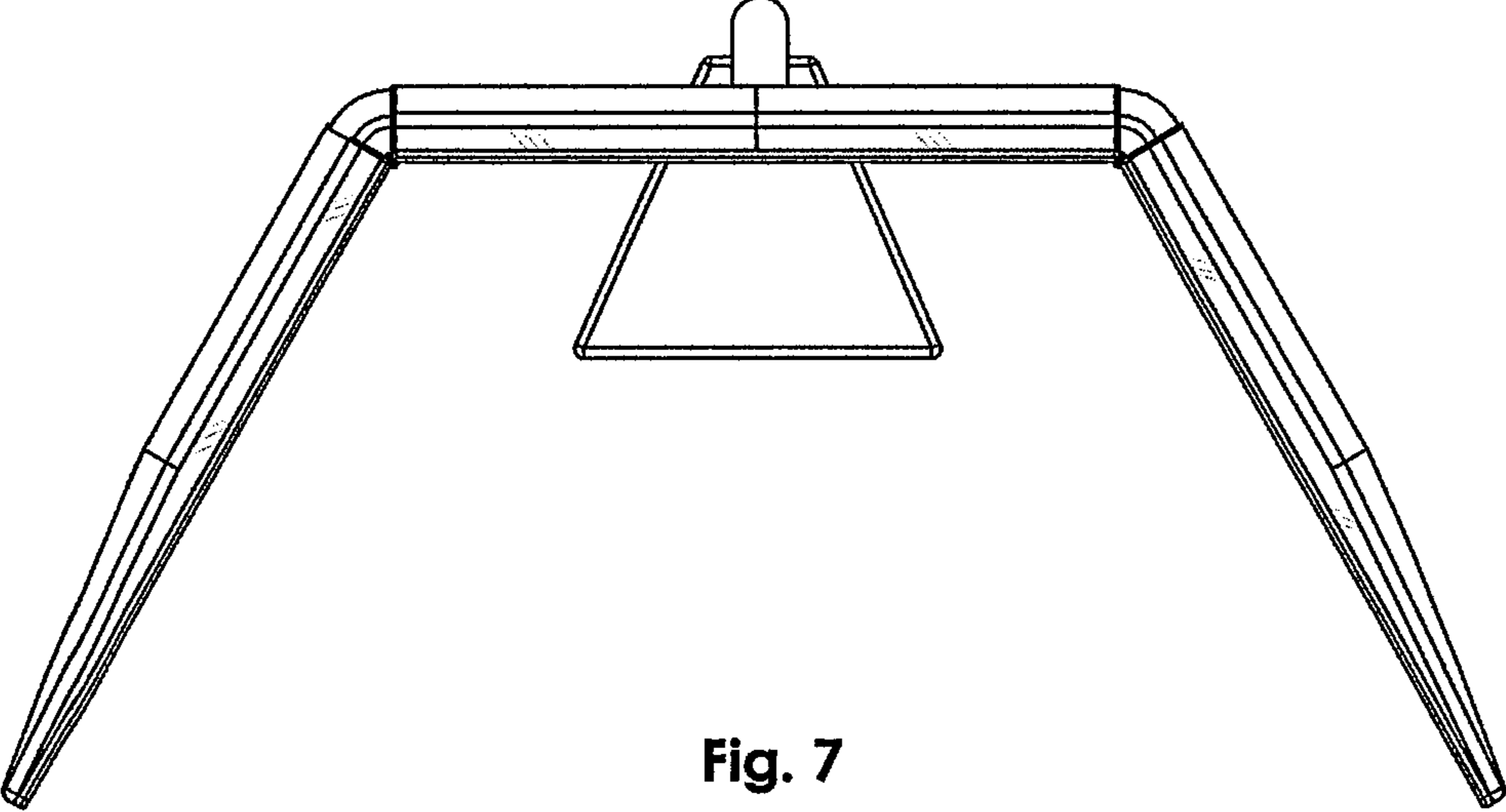


Fig. 7

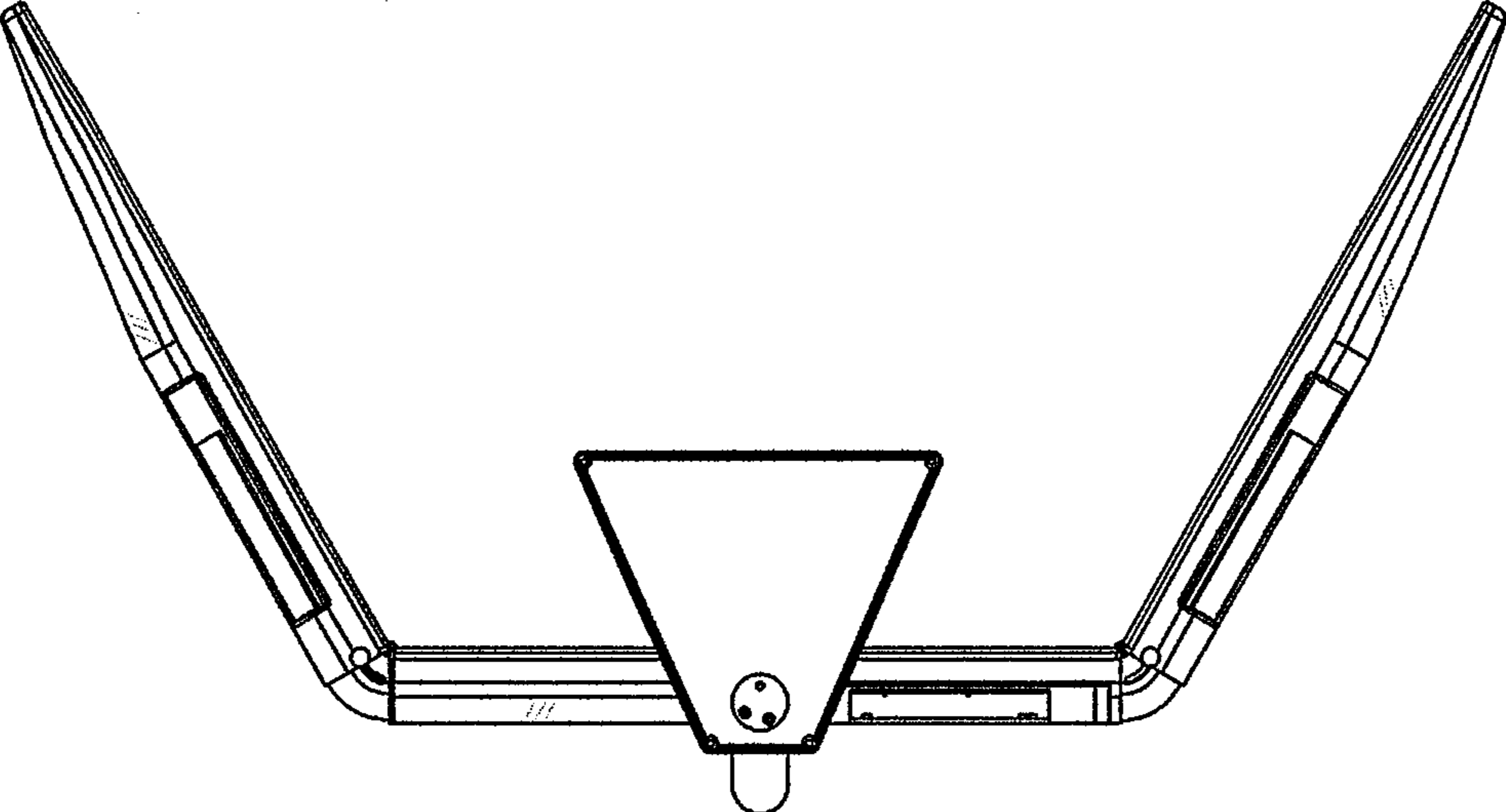


Fig. 8