



US00D708152S

(12) **United States Design Patent**  
**Dixon et al.**

(10) **Patent No.:** **US D708,152 S**  
(45) **Date of Patent:** **\*\* Jul. 1, 2014**

(54) **LOCKOUT CLIP**

(75) Inventors: **Robert D. Dixon**, Everett, WA (US);  
**Perry N. Rushton**, Orting, WA (US)

(73) Assignee: **The Boeing Company**, Chicago, IL  
(US)

(\*\*) Term: **14 Years**

(21) Appl. No.: **29/431,377**

(22) Filed: **Sep. 6, 2012**

(51) **LOC (10) Cl.** ..... **13-03**

(52) **U.S. Cl.**  
USPC ..... **D13/169; D13/173**

(58) **Field of Classification Search**  
CPC ..... H01H 9/20; H01H 9/22; H01H 9/02  
USPC ..... D13/173, 169, 156, 177, 123, 175;  
200/43.01, 43.16, 43.21, 43.22, 334;  
D8/400

See application file for complete search history.

(56) **References Cited**

**U.S. PATENT DOCUMENTS**

D134,633	S	*	12/1942	Krieger	.....	D13/175
2,348,393	A	*	5/1944	Krieger	.....	200/334
3,204,807	A	*	9/1965	Ramsing	.....	220/242
3,527,914	A	*	9/1970	Spacek	.....	200/43.19
D260,232	S	*	8/1981	Simons	.....	D8/350
D301,872	S	*	6/1989	Copeland	.....	D13/177
D347,569	S	*	6/1994	Vetter et al.	.....	D8/400
D372,224	S	*	7/1996	Larned et al.	.....	D13/173
D428,601	S	*	7/2000	Bianco, Sr.	.....	D13/173
D440,948	S	*	4/2001	Bianco, Sr.	.....	D13/173
D450,663	S	*	11/2001	Smith	.....	D13/177
D466,870	S	*	12/2002	Elliott	.....	D13/177
6,528,744	B2	*	3/2003	Bremner et al.	.....	200/43.16
D508,896	S	*	8/2005	Nipke	.....	D13/156
D534,874	S	*	1/2007	Potts	.....	D13/169

D690,659	S	*	10/2013	Peltola et al.	.....	D13/158
D691,565	S	*	10/2013	Peltola et al.	.....	D13/158
2004/0262138	A1		12/2004	Lee		
2014/0061010	A1	*	3/2014	Dixon et al.	.....	200/43.16

**FOREIGN PATENT DOCUMENTS**

EP 1 164 604 12/2001

**OTHER PUBLICATIONS**

International Search Report and Written Opinion, PCT/US2013/058312 (2013).

\* cited by examiner

*Primary Examiner* — Deanna L Pratt

*Assistant Examiner* — Harold Blackwell, II

(74) *Attorney, Agent, or Firm* — Walters & Wasylyna LLC

(57) **CLAIM**

The ornamental design for a lockout clip, as shown and described.

**DESCRIPTION**

FIG. 1 is a perspective view of a lockout clip showing our new design;

FIG. 2 is a front view of the lockout clip of FIG. 1;

FIG. 3 is a rear view of the lockout clip of FIG. 1;

FIG. 4 is a top view of the lockout clip of FIG. 1;

FIG. 5 is a bottom view of the lockout clip of FIG. 1;

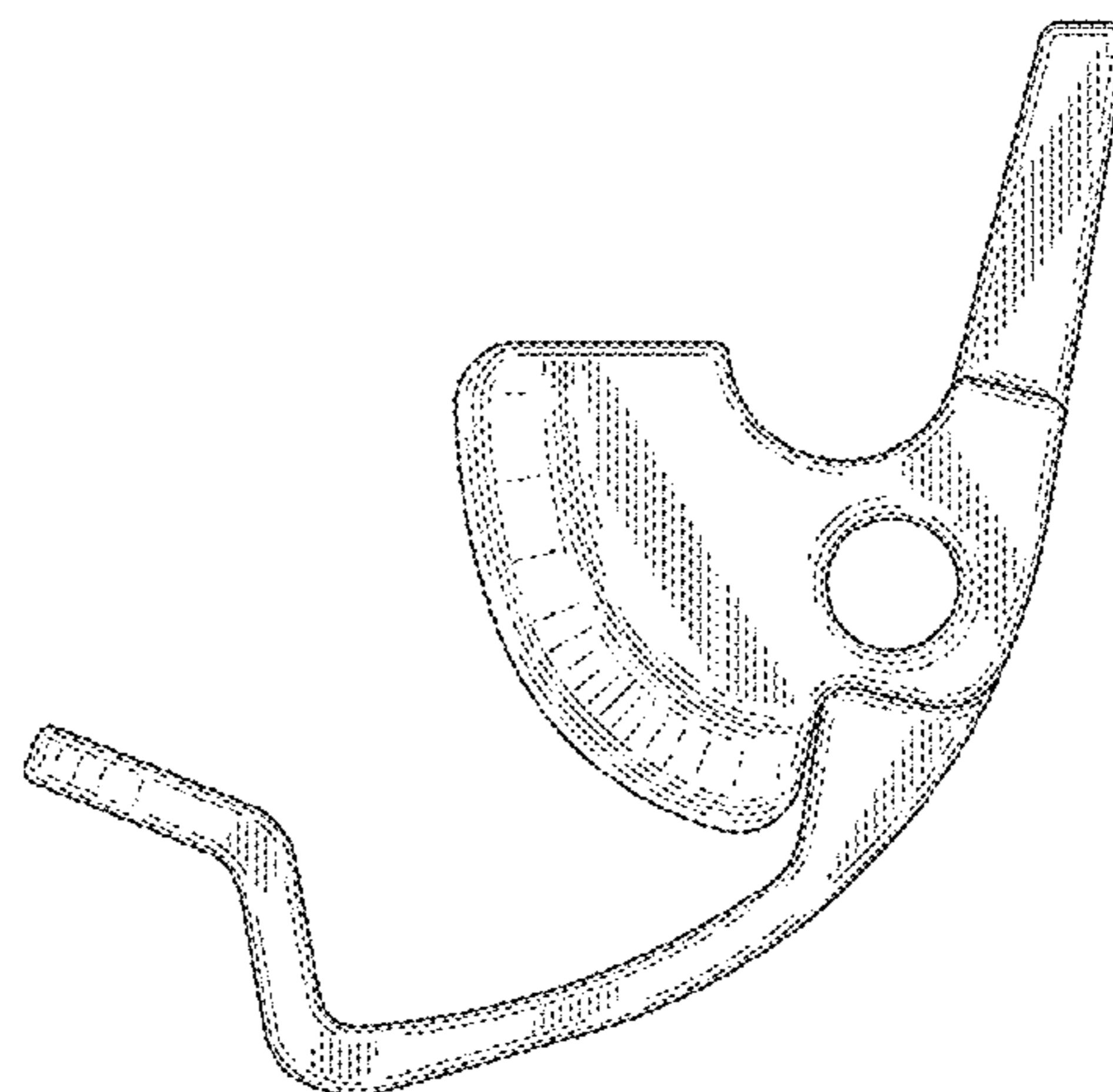
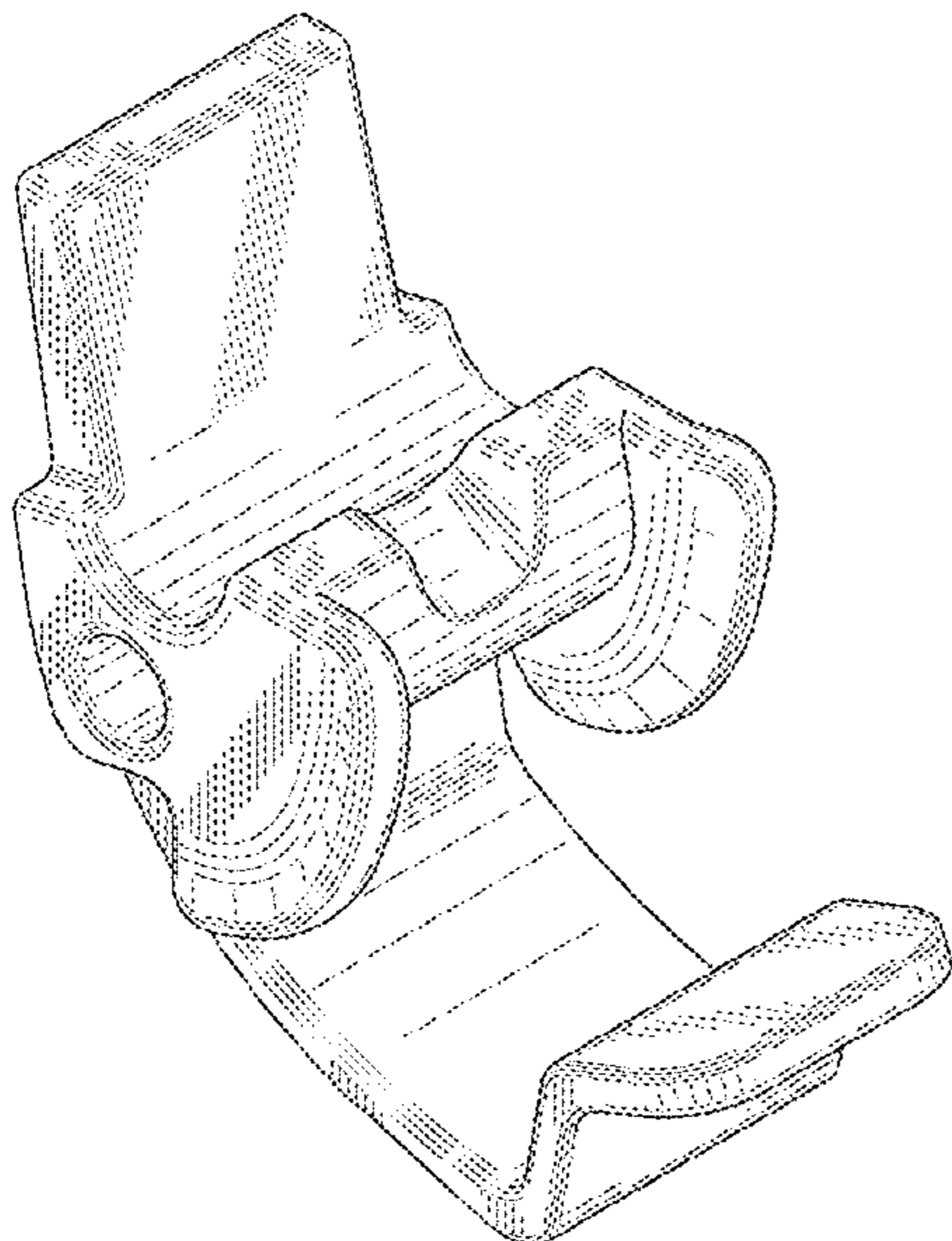
FIG. 6 is a right side view of the lockout clip of FIG. 1; and,

FIG. 7 is a left side view of the lockout clip of FIG. 1.

The lines on the surface of the lockout clip merely show the character and/or contour of the surfaces of the lockout clip.

The lines are not surface treatment, and form no part of the claimed design.

**1 Claim, 5 Drawing Sheets**



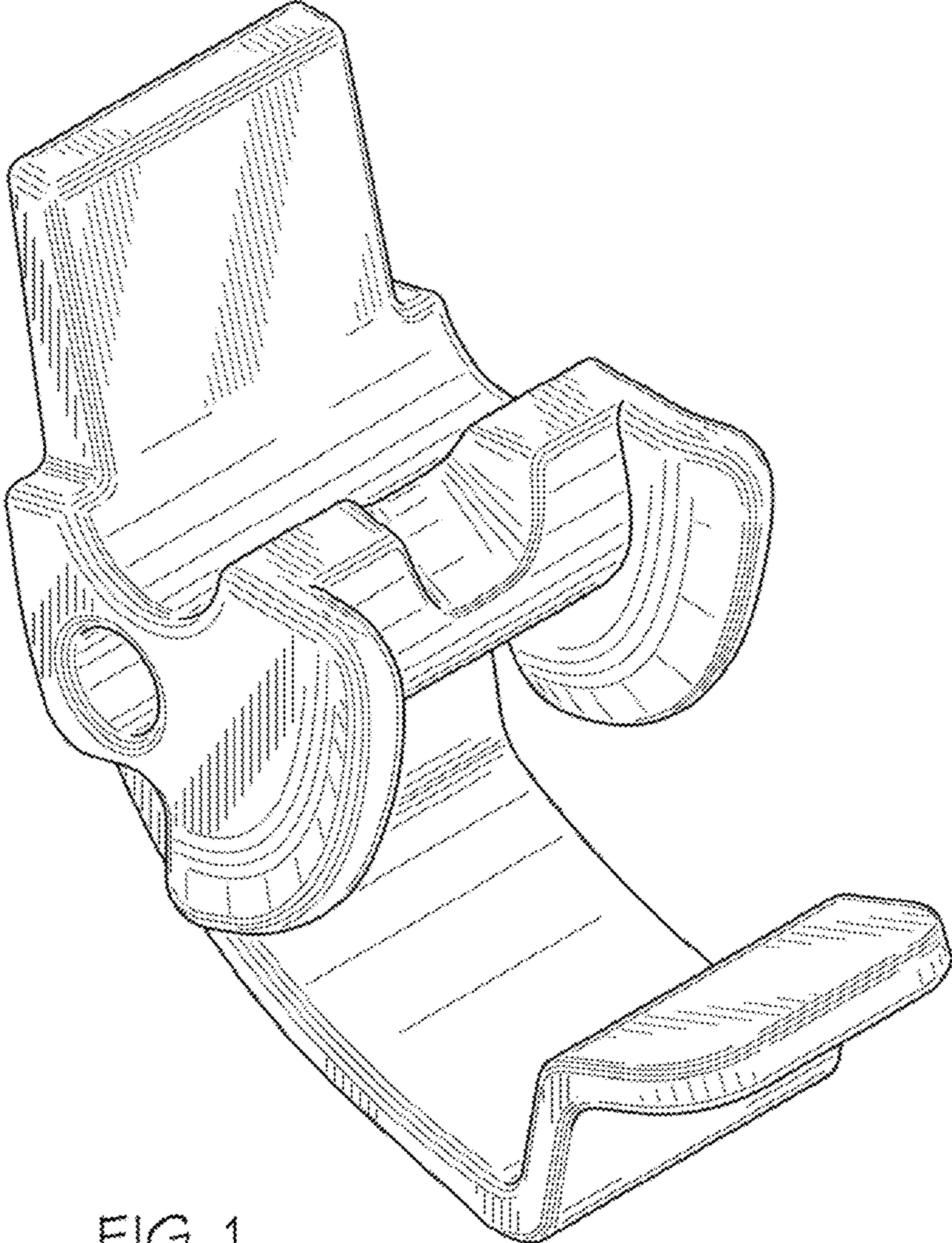


FIG. 1

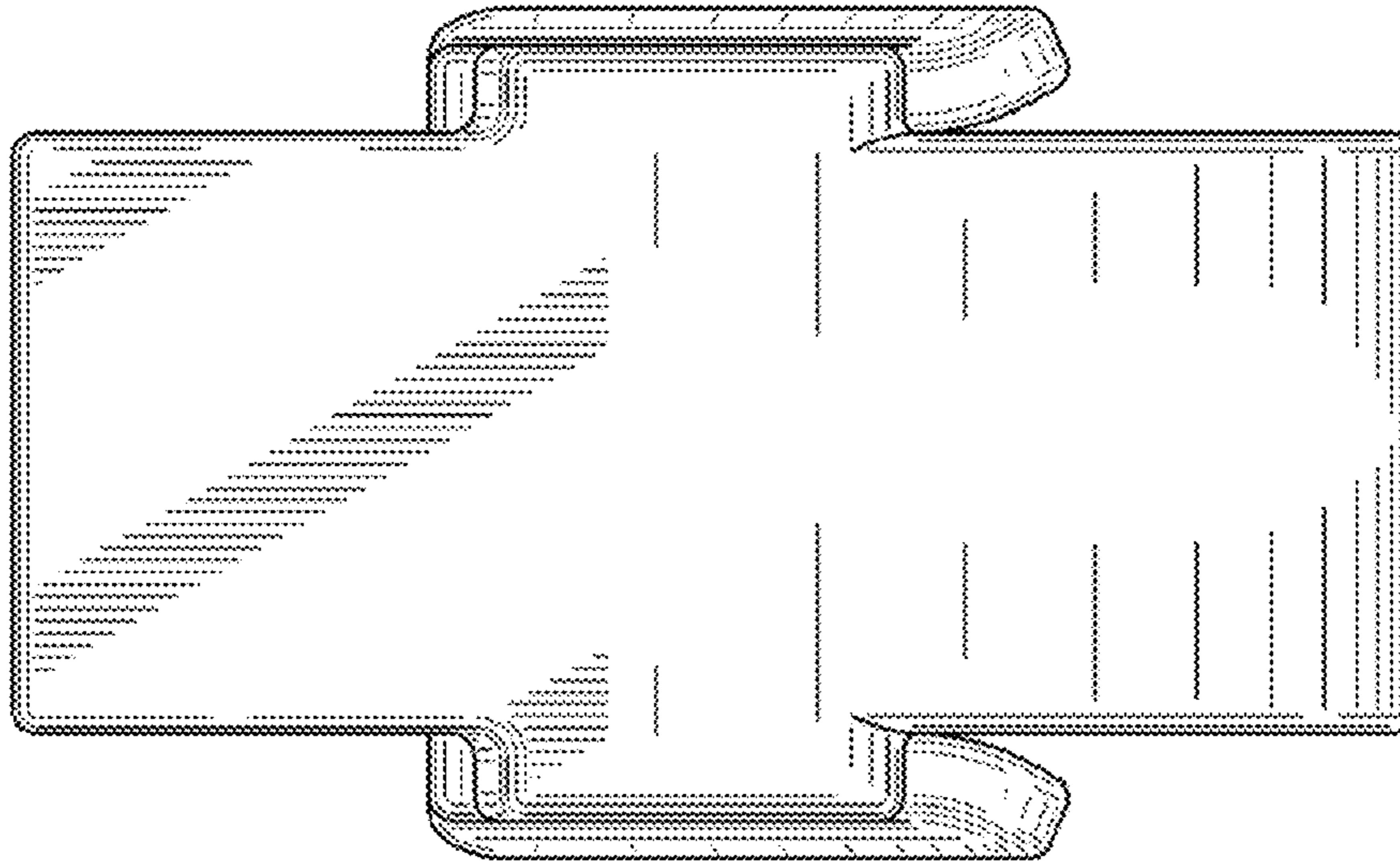


FIG. 3

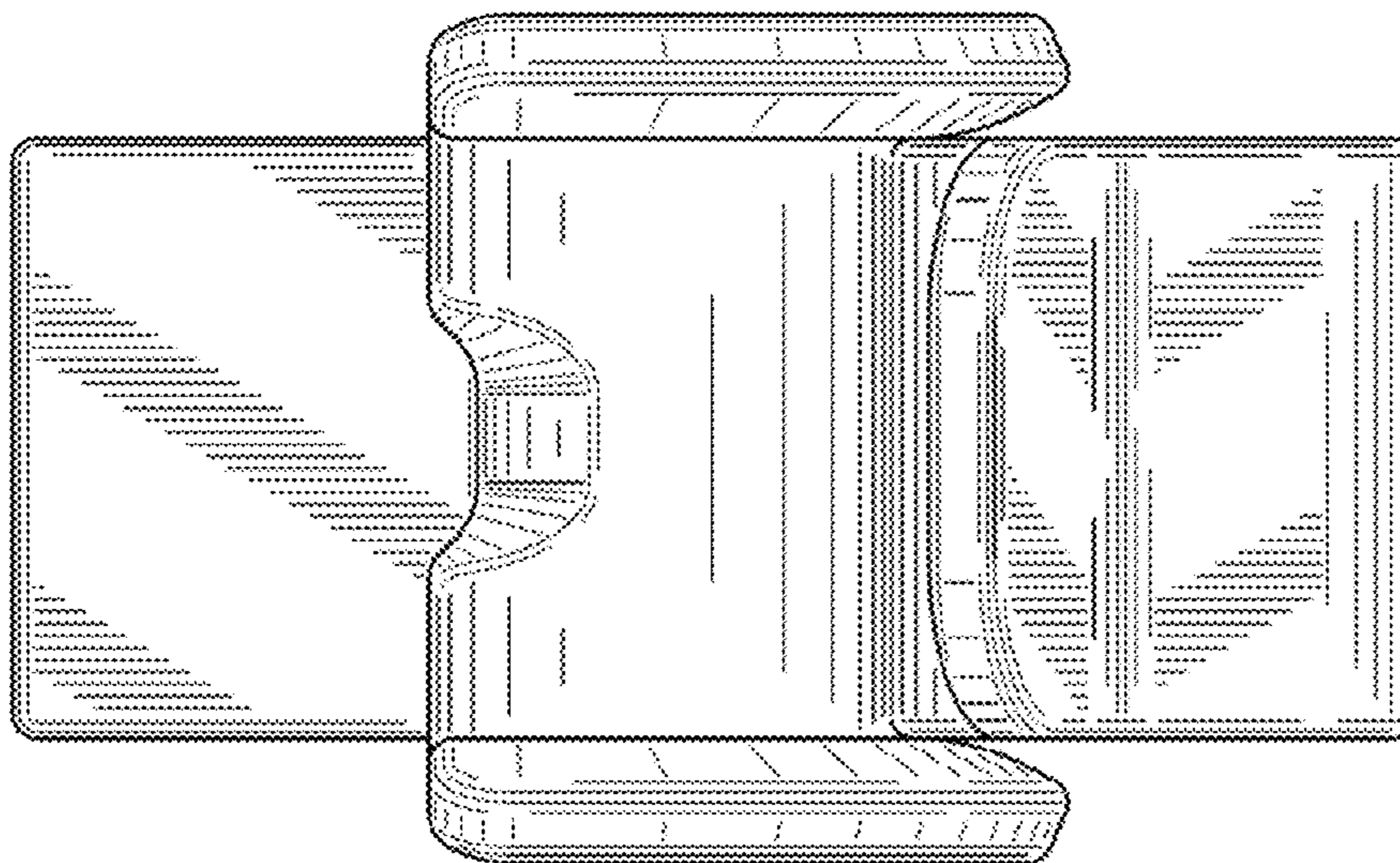


FIG. 2

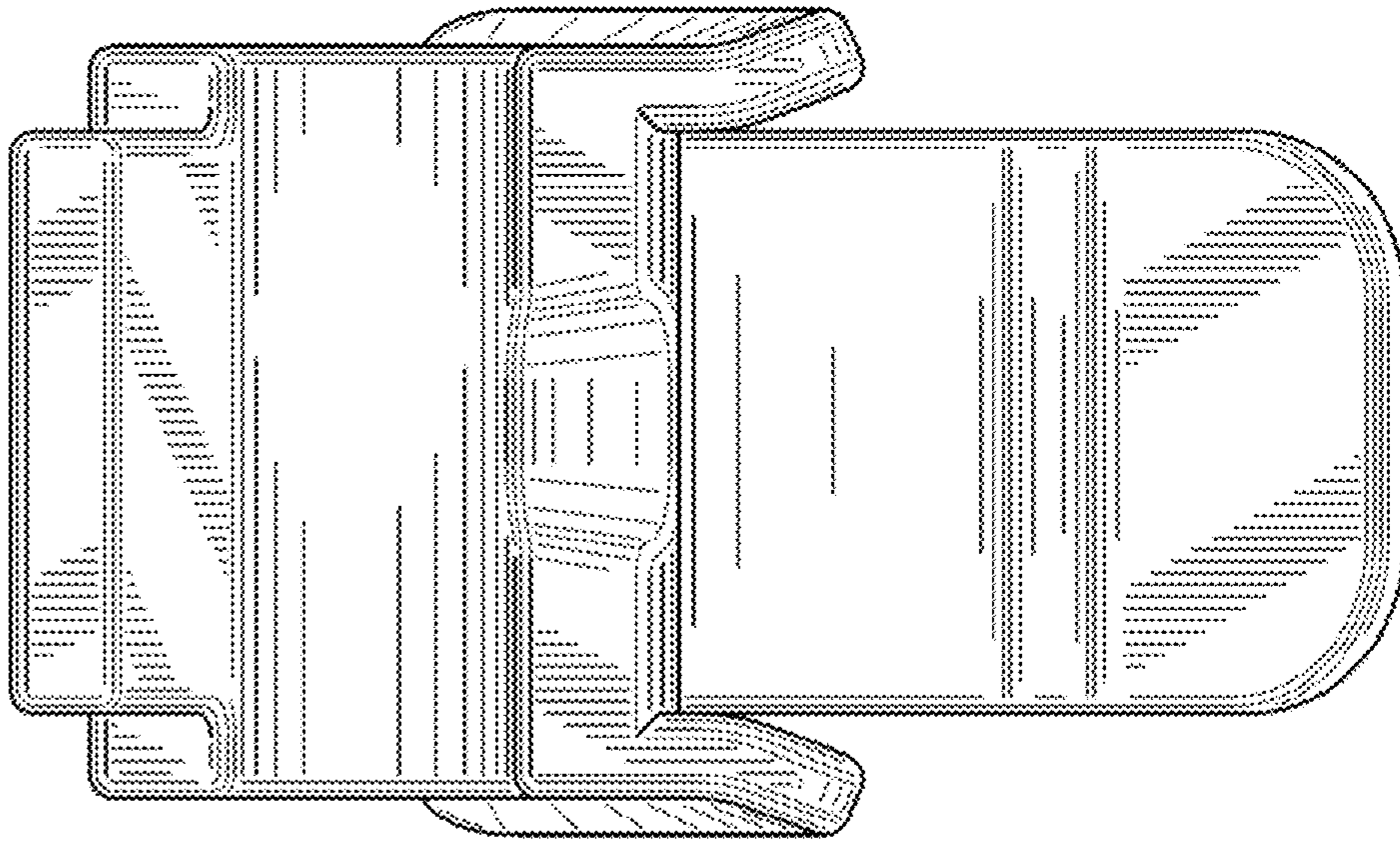


FIG. 4

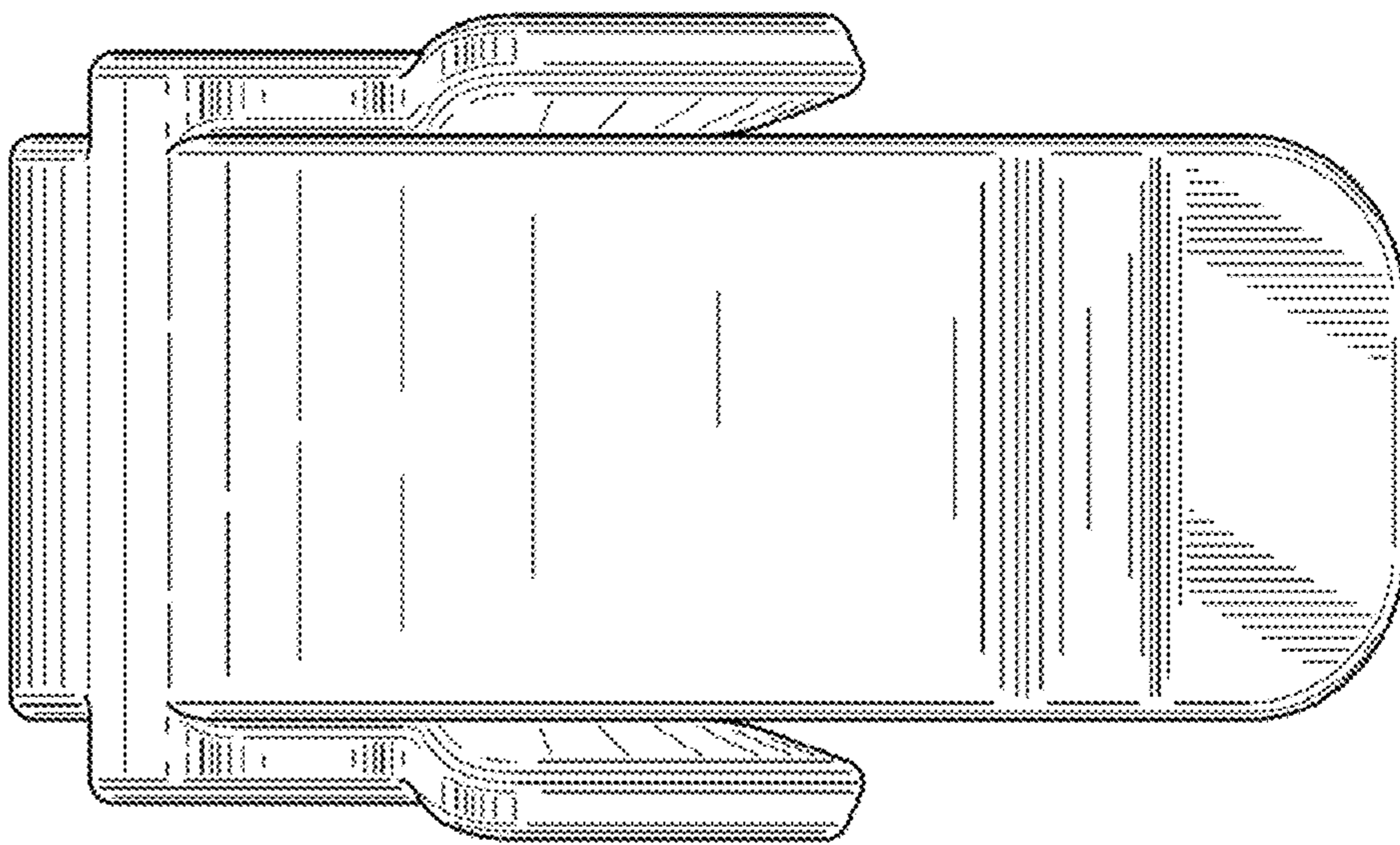


FIG. 5

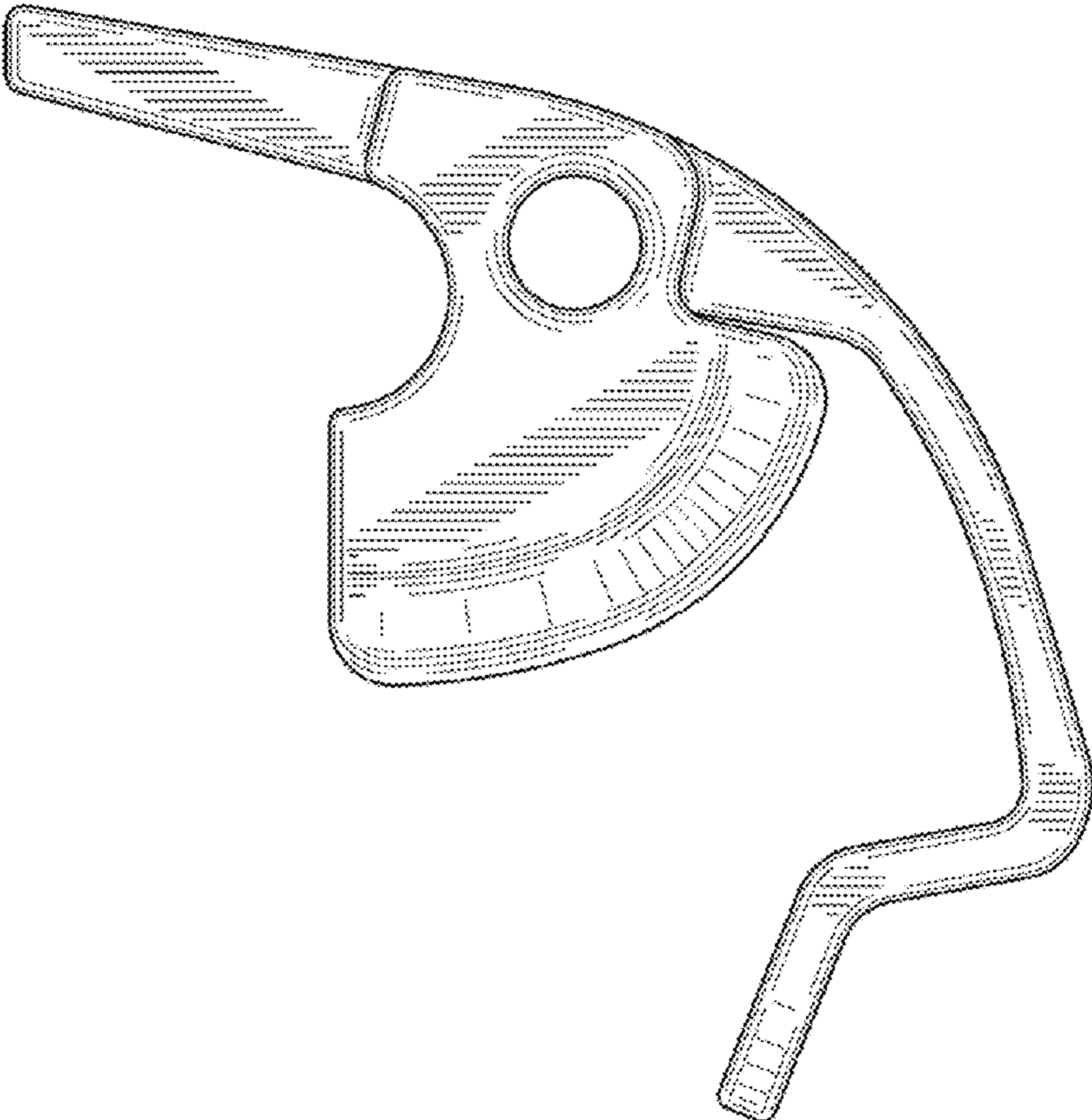


FIG. 6

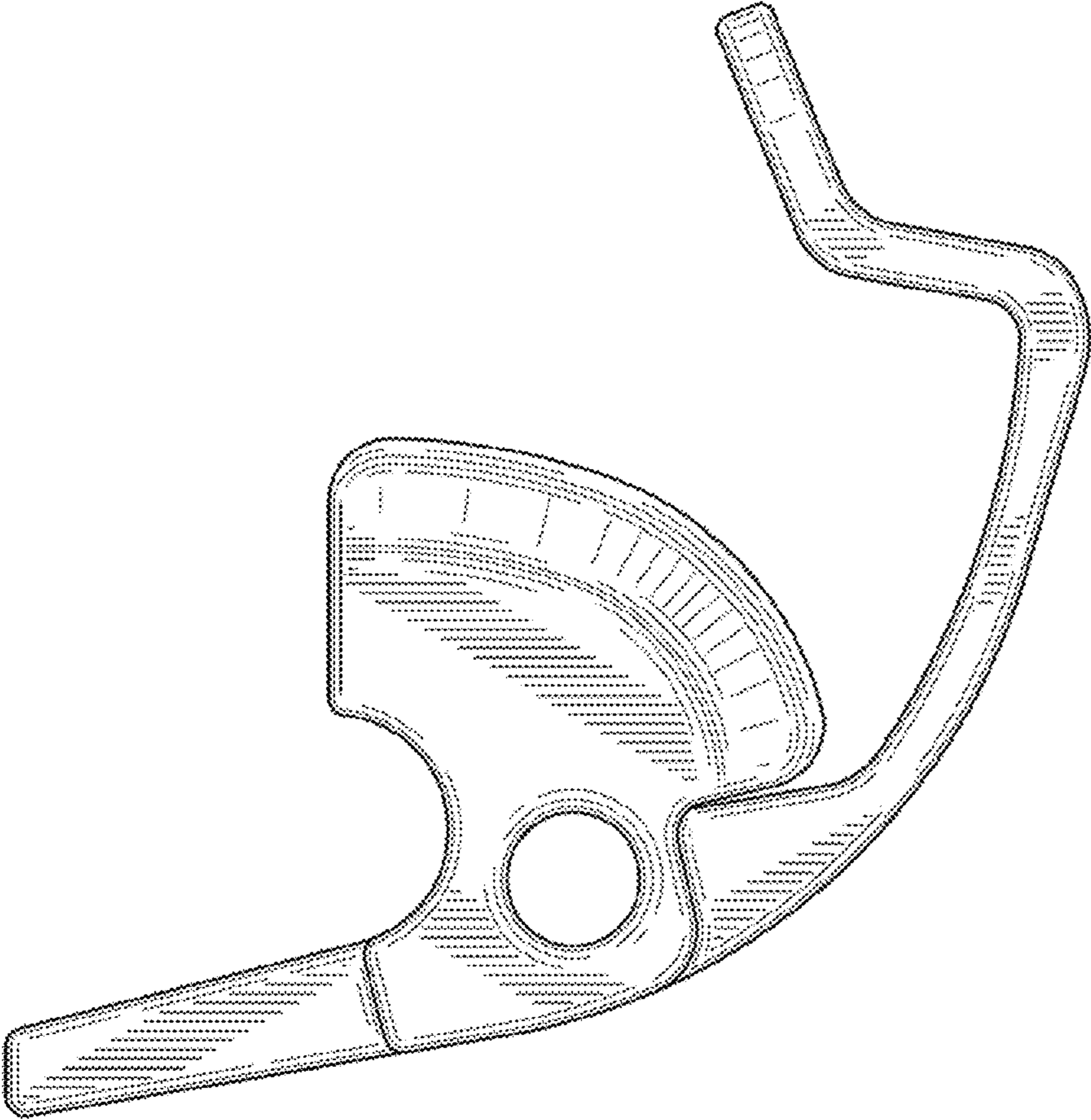


FIG. 7