



US00D708141S

(12) **United States Design Patent**
Koshiishi et al.

(10) **Patent No.:** **US D708,141 S**

(45) **Date of Patent:** **** *Jul. 1, 2014**

(54) **LAMP SOCKET**

(75) Inventors: **Makoto Koshiishi**, Makinohara (JP);
Hironaga Iwamoto, Fujieda (JP)

(73) Assignee: **Yazaki Corporation**, Tokyo (JP)

(*) Notice: This patent is subject to a terminal disclaimer.

(**) Term: **14 Years**

(21) Appl. No.: **29/430,163**

(22) Filed: **Aug. 22, 2012**

(30) **Foreign Application Priority Data**

Feb. 23, 2012 (JP) 2012-003823

(51) **LOC (10) Cl.** **13-03**

(52) **U.S. Cl.**
USPC **D13/134**

(58) **Field of Classification Search**
USPC D13/133, 134, 149; D26/138, 140;
362/217, 147, 223, 260; 439/241, 242,
439/243, 244, 239, 226, 240
See application file for complete search history.

(56) **References Cited**

U.S. PATENT DOCUMENTS

4,029,953 A * 6/1977 Natoli 362/382
D324,373 S * 3/1992 Kondo et al. D13/134
D402,959 S * 12/1998 Harada D13/134

D402,960 S * 12/1998 Harada D13/134
D402,961 S * 12/1998 Harada D13/134
D405,415 S * 2/1999 Henrici et al. D13/134
D407,068 S * 3/1999 Harada D13/134
5,971,814 A * 10/1999 Boyd et al. 439/699.2
D535,946 S * 1/2007 Hayashi et al. D13/133
7,745,982 B2 * 6/2010 Rosenmuller et al. ... 313/318.01

* cited by examiner

Primary Examiner — Thomas Johannes

(74) *Attorney, Agent, or Firm* — Sughrue Mion, PLLC

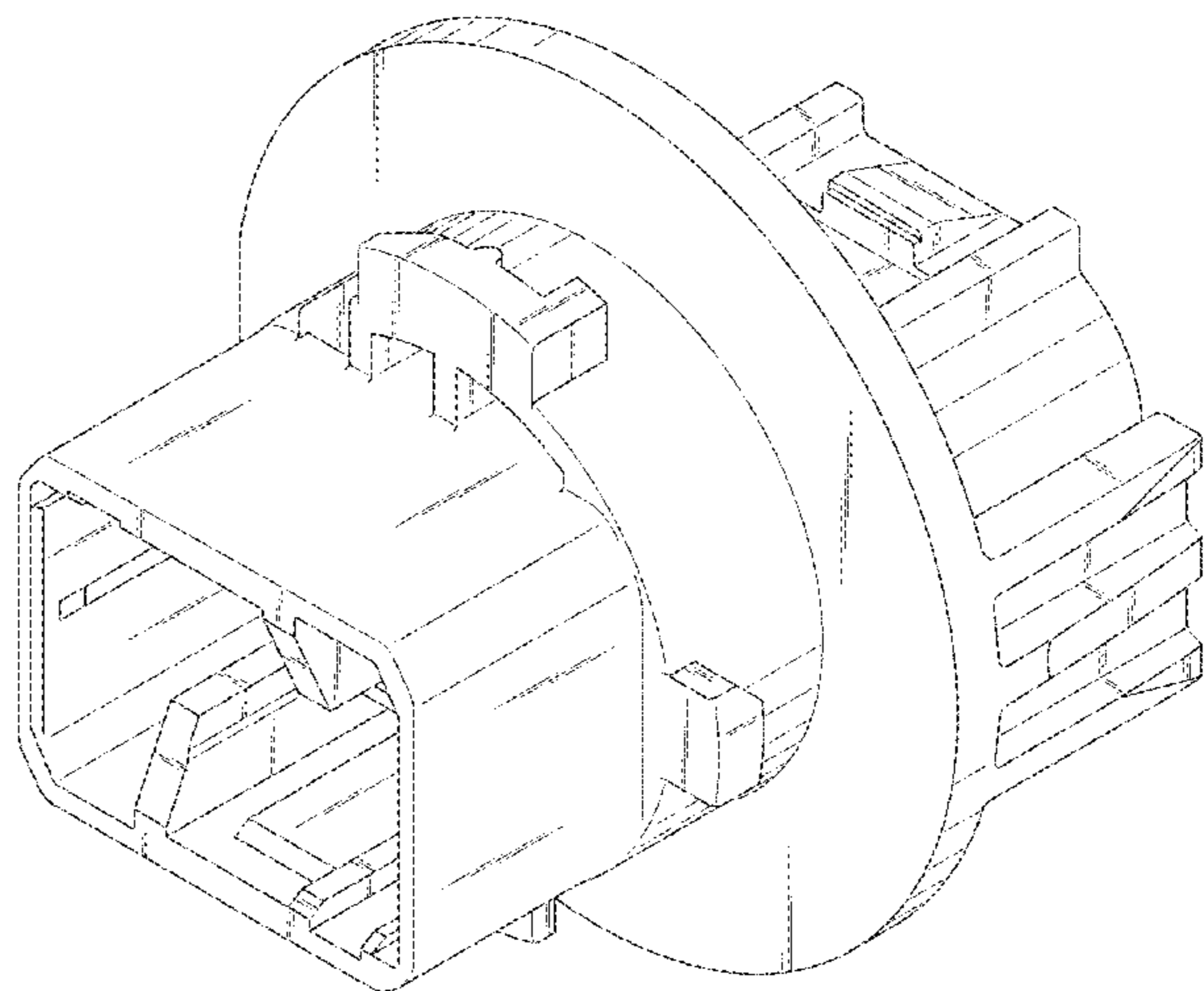
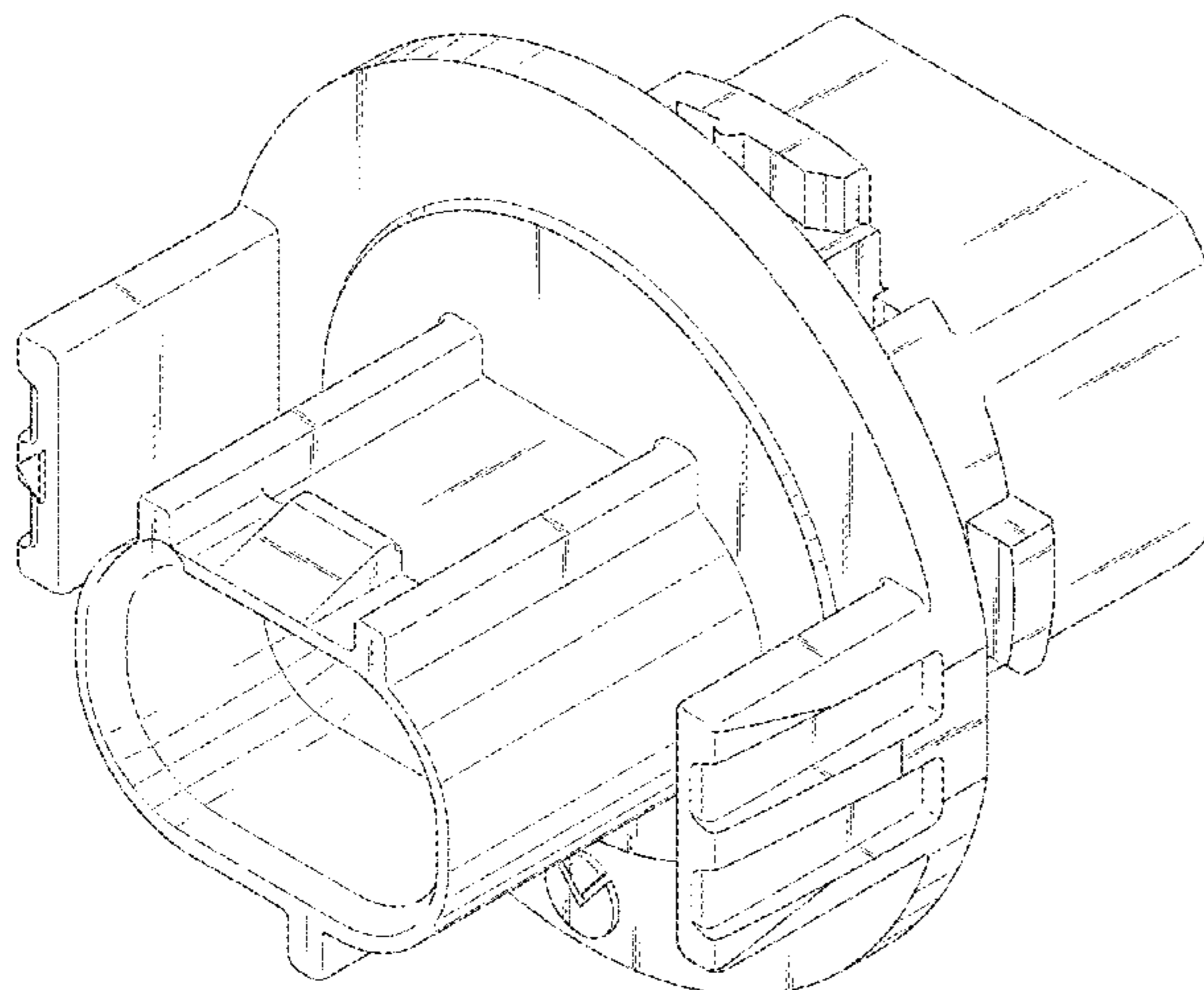
(57) **CLAIM**

The ornamental design for a lamp socket, as shown and described.

DESCRIPTION

FIG. 1 is a front perspective view of front, top plan and right side of a lamp socket showing my/our new design;
FIG. 2 is a rear perspective view of rear, top plan and left side thereof;
FIG. 3 is a front view thereof;
FIG. 4 is a rear view thereof;
FIG. 5 is a left side view thereof;
FIG. 6 is a right side view thereof;
FIG. 7 is a top plan view thereof;
FIG. 8 is a bottom view thereof; and,
FIG. 9 is a cross-sectional view at 9-9 line of FIG. 3.
The broken lines showing of unclaimed elements form no part of the claimed design.

1 Claim, 9 Drawing Sheets



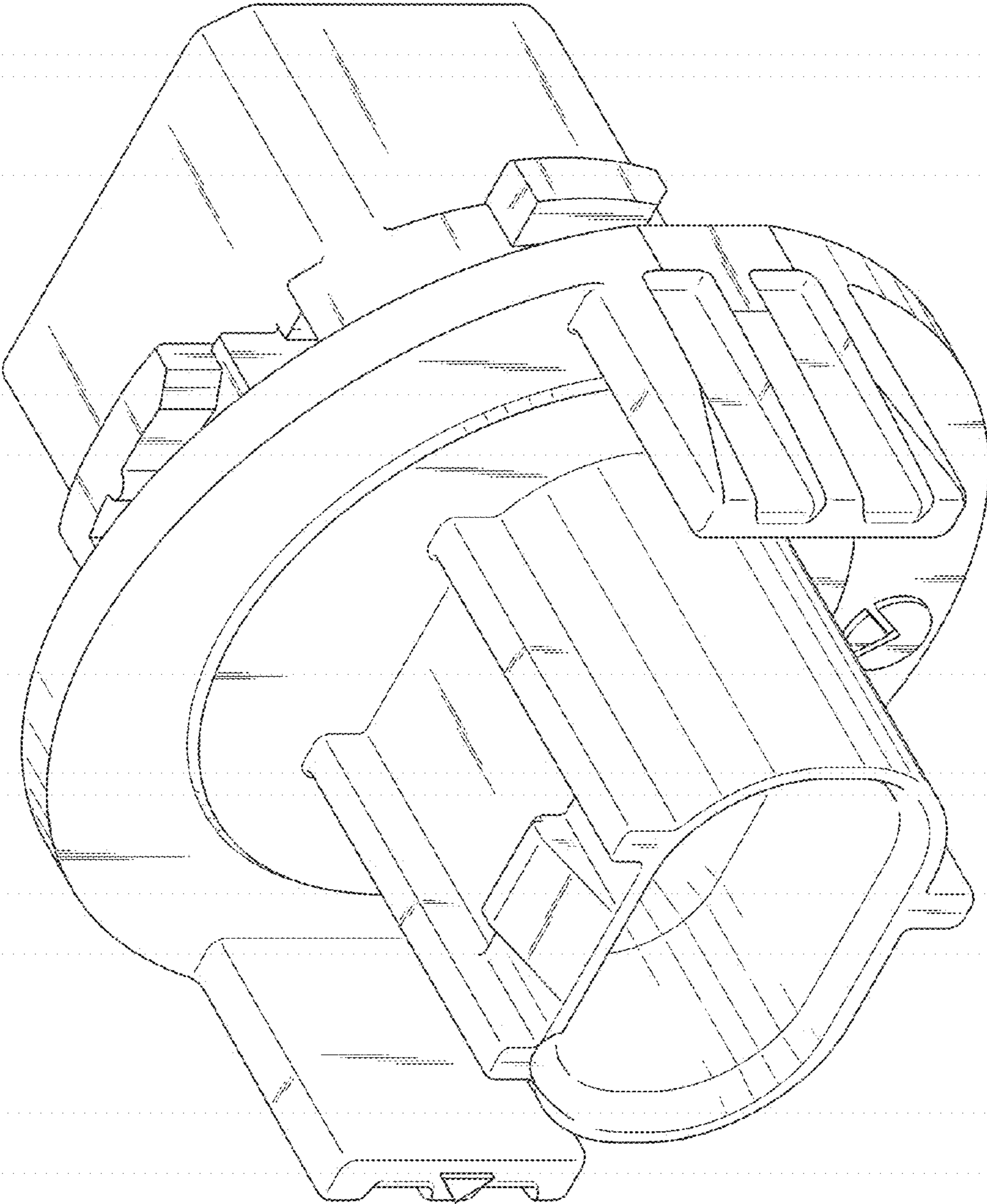


Fig. 1

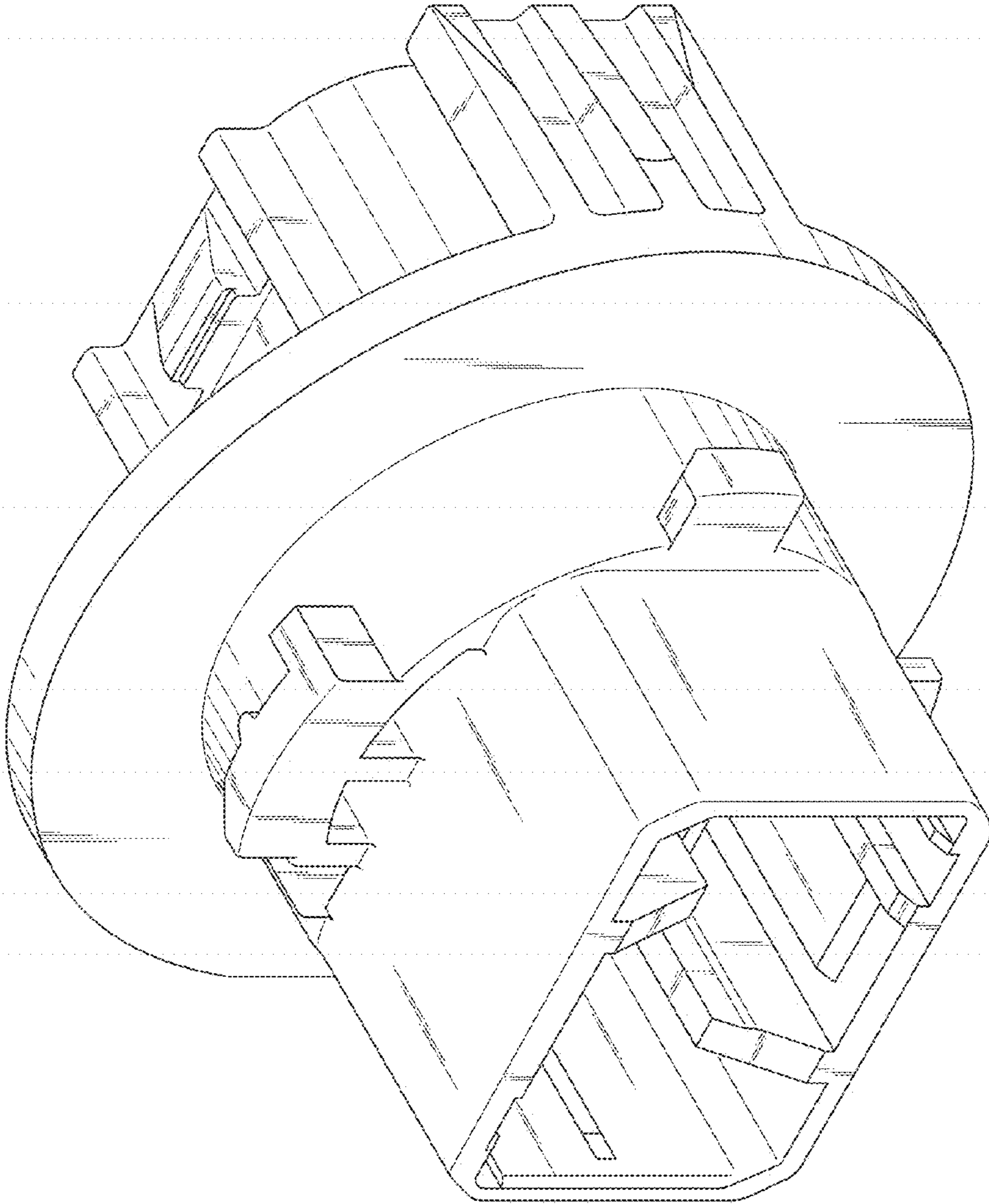


Fig. 2

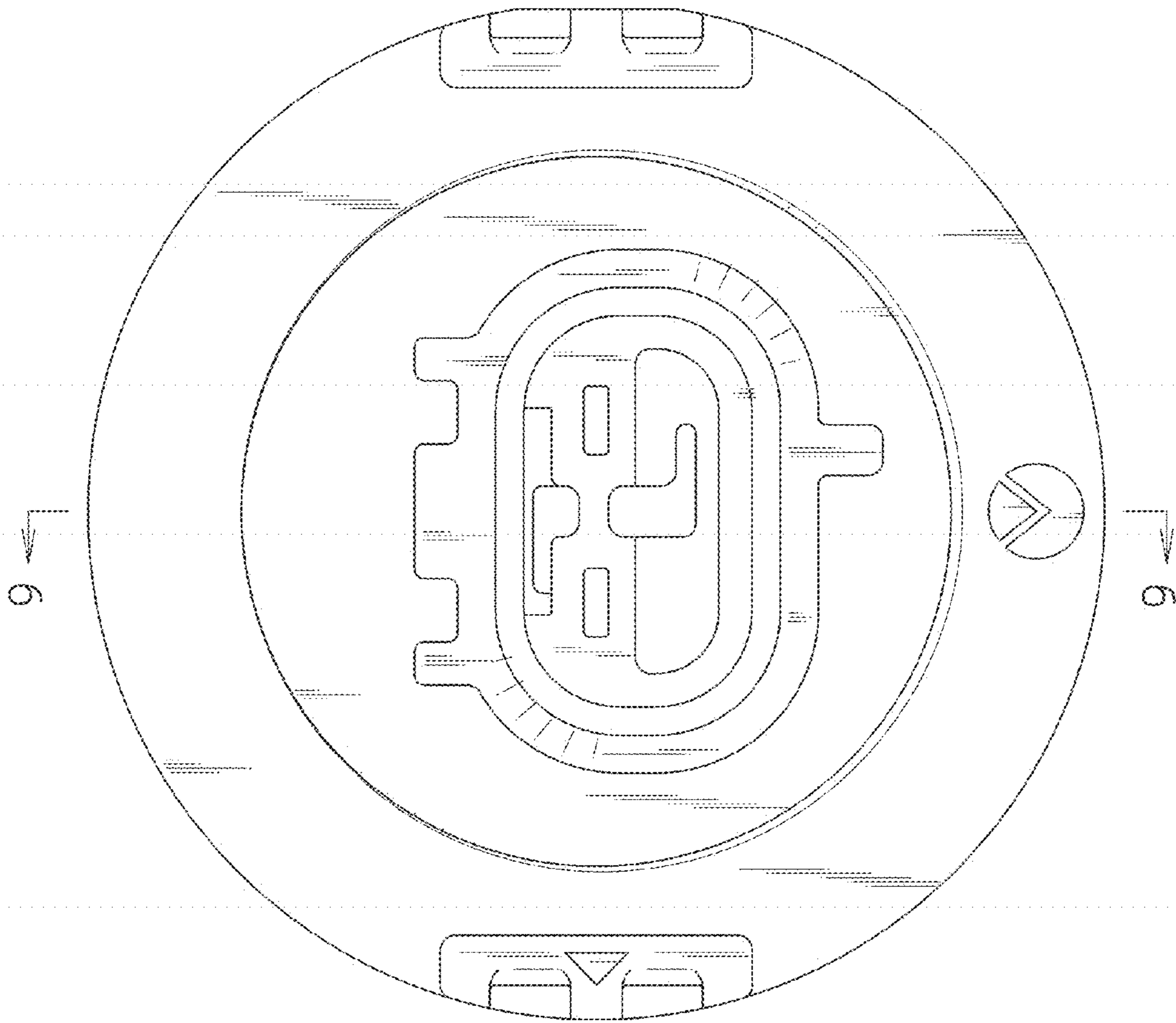


Fig. 3

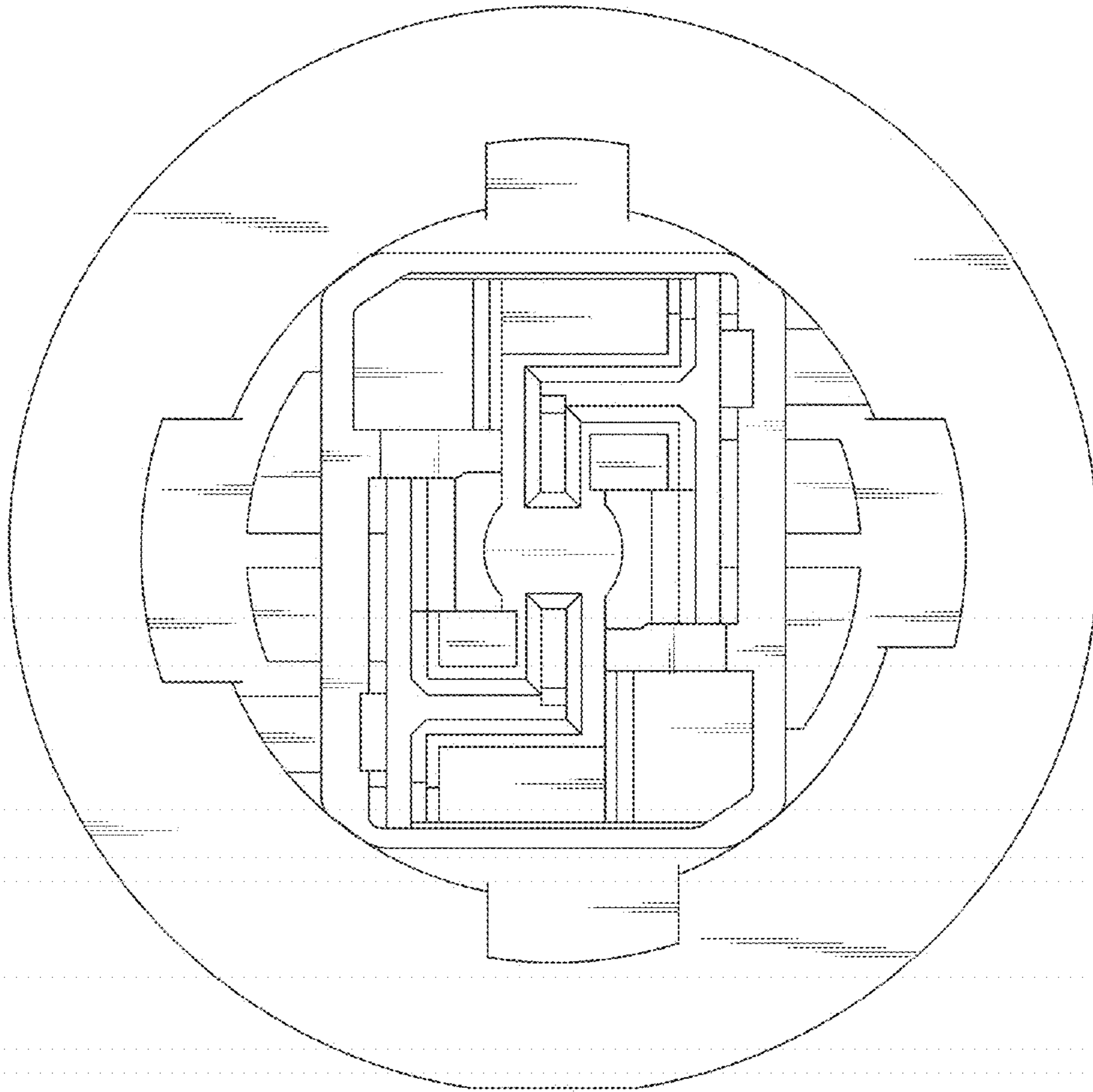


Fig. 4

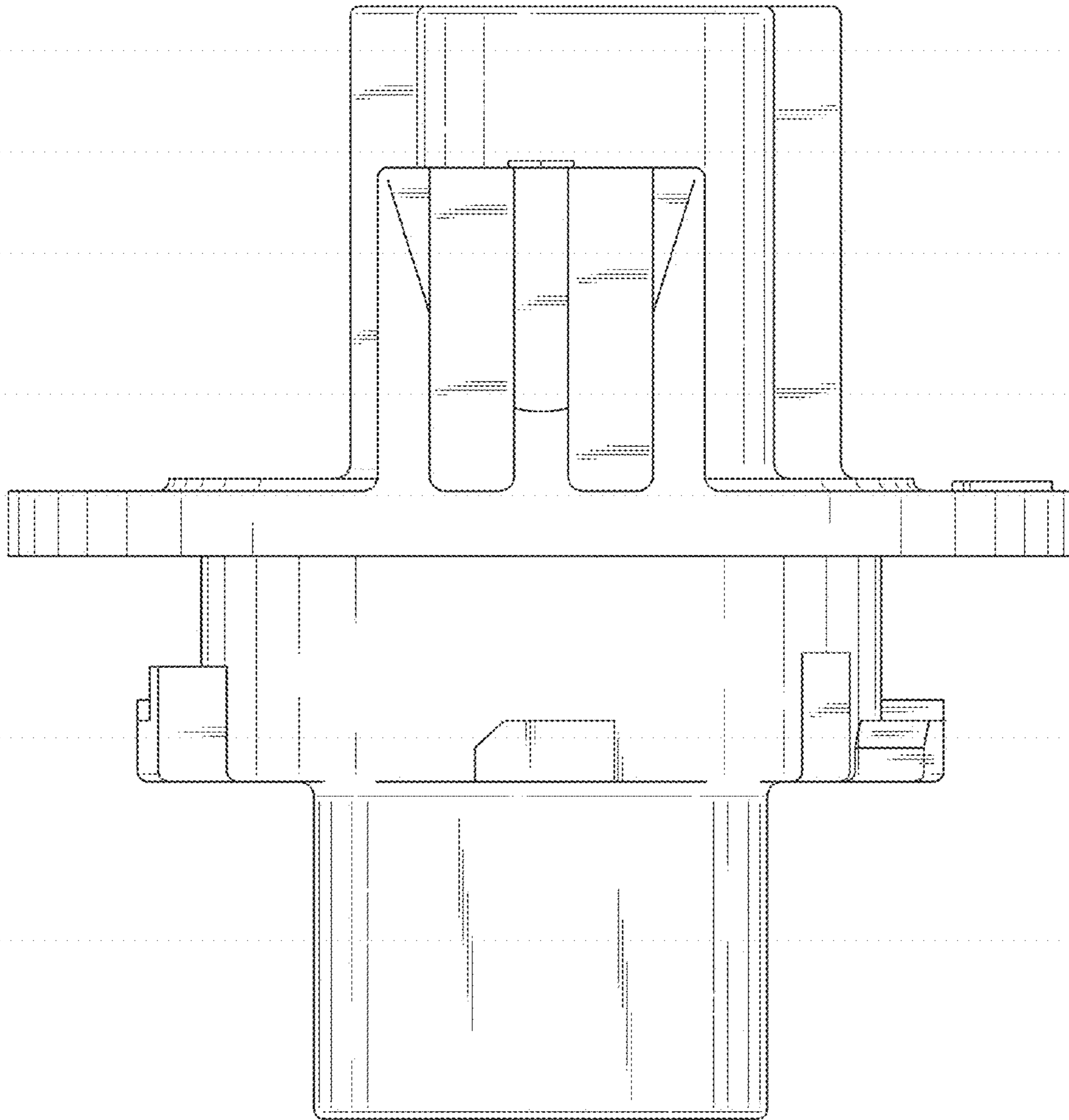


Fig. 5

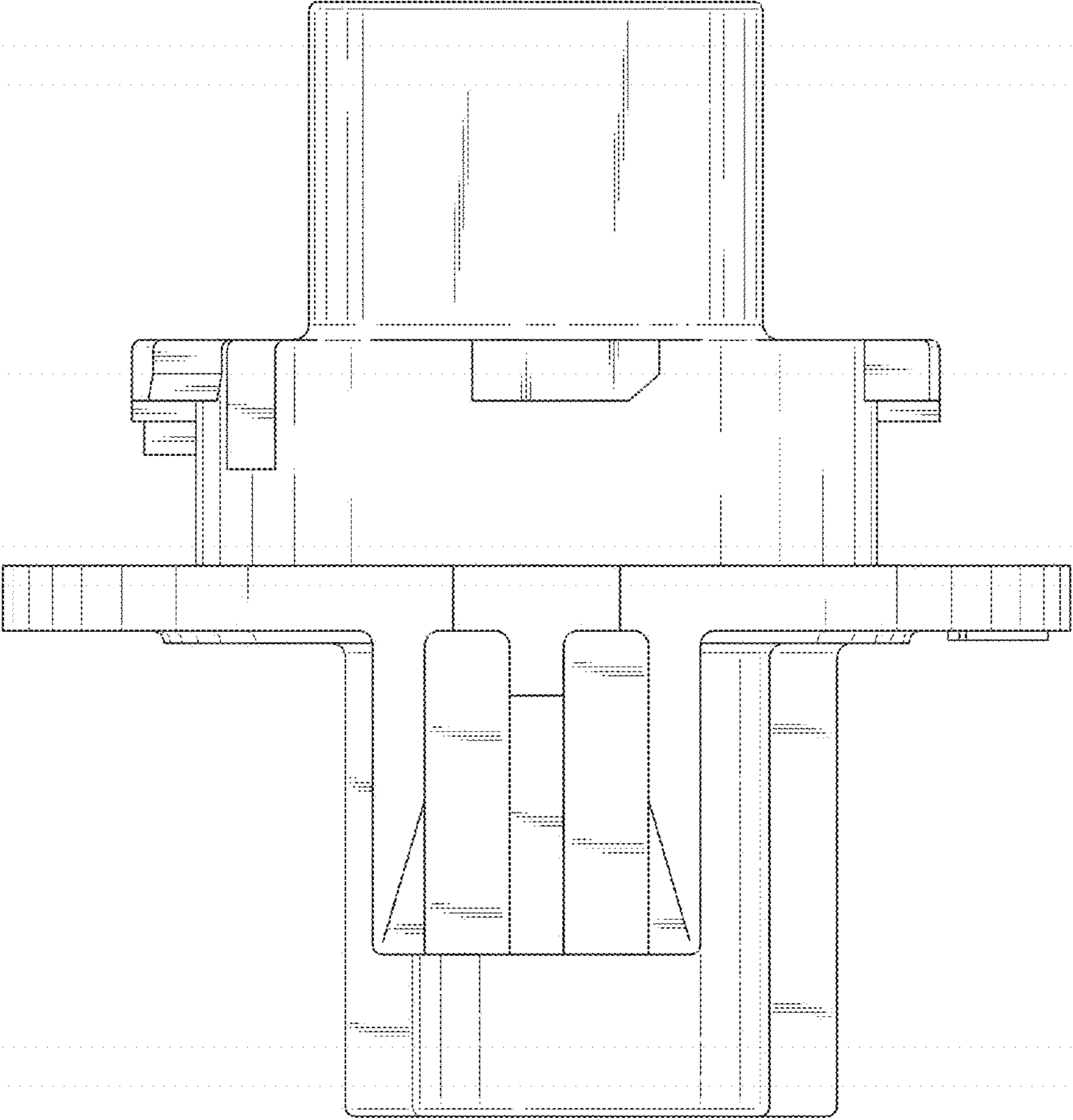


Fig. 6

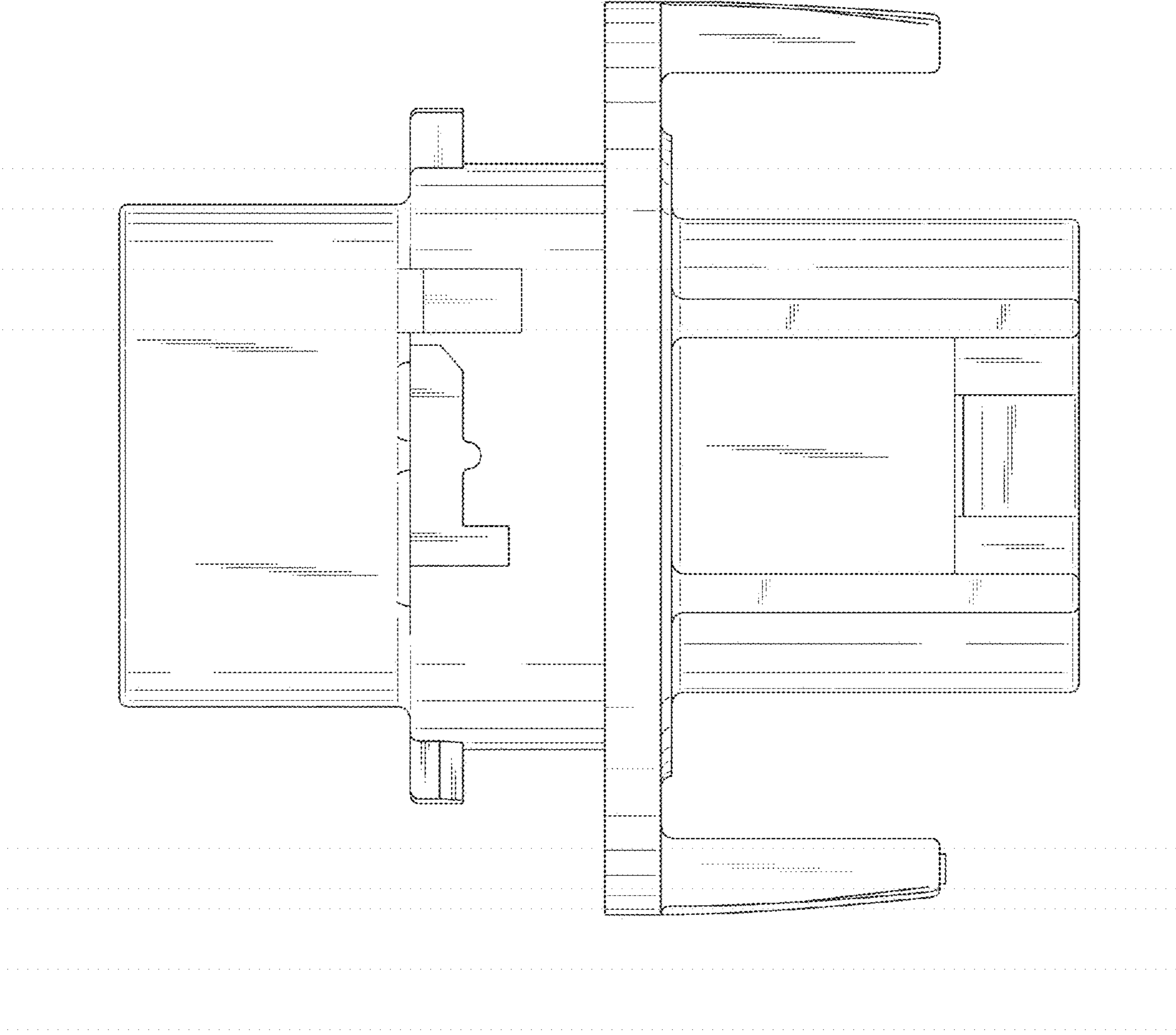


Fig. 7

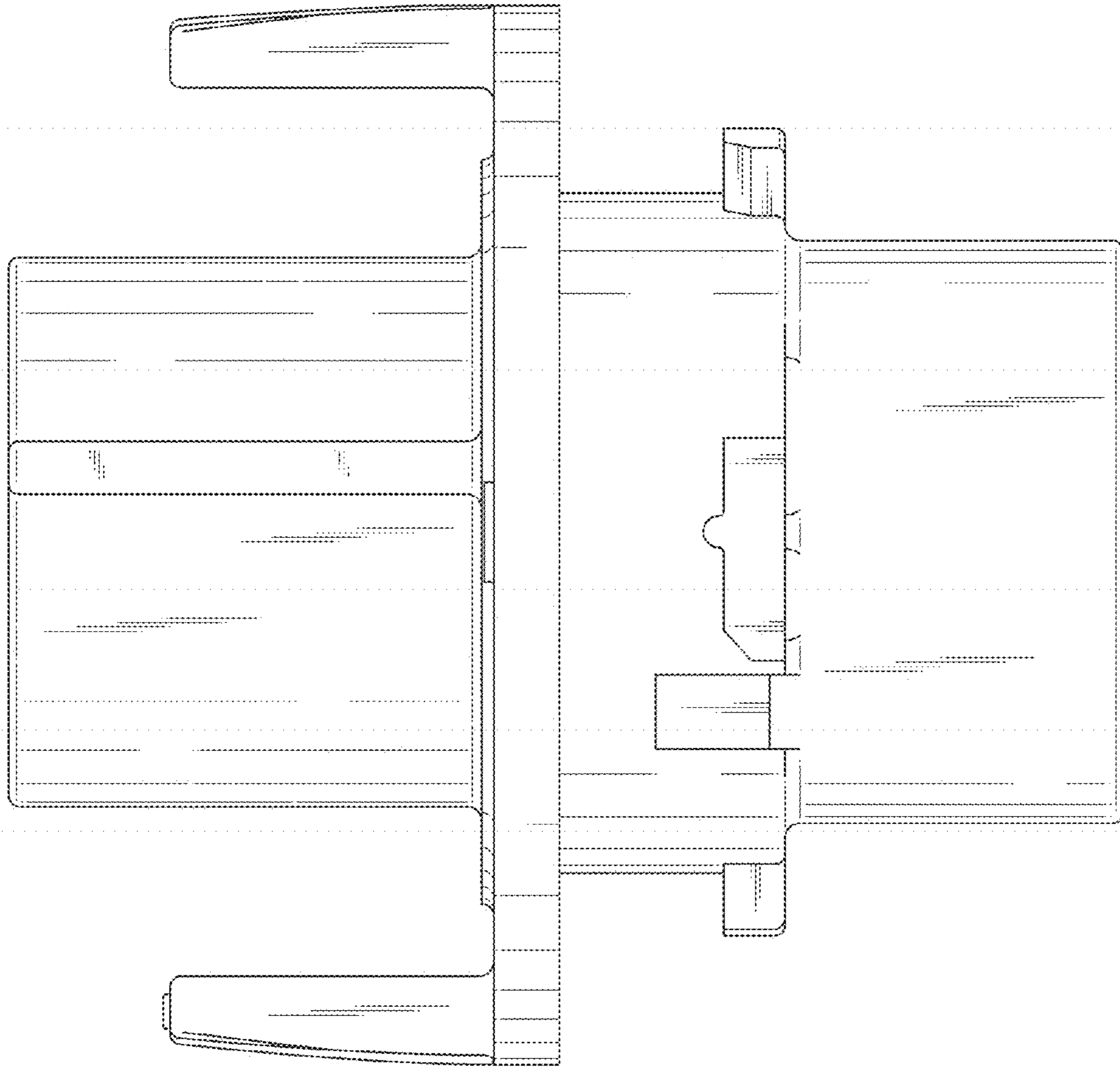


Fig. 8

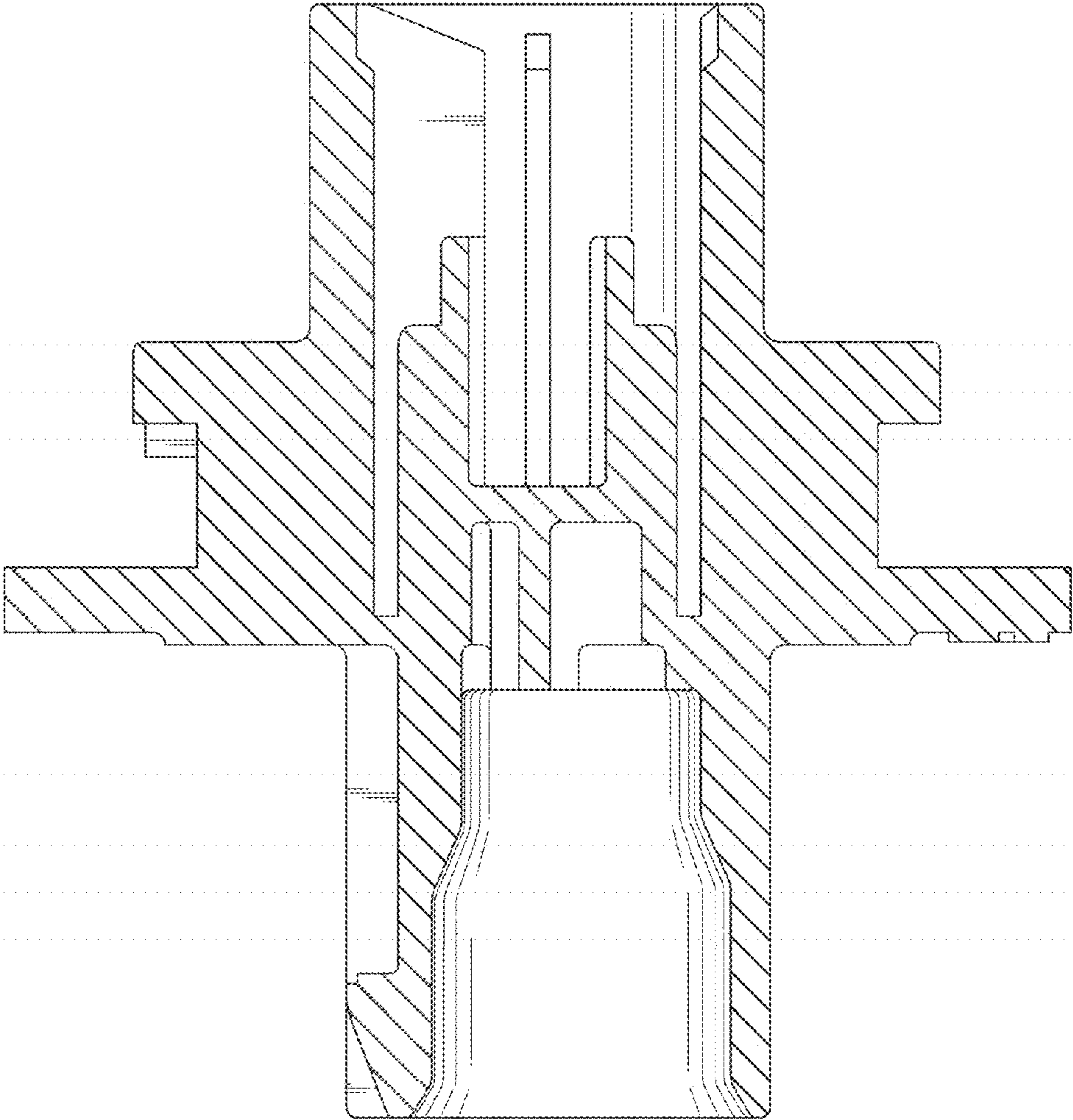


Fig. 9