



US00D708140S

(12) **United States Design Patent**  
**Nook et al.**

(10) **Patent No.:** **US D708,140 S**  
(45) **Date of Patent:** **\*\* Jul. 1, 2014**

(54) **ELECTRICAL CONNECTOR**

(71) Applicant: **The Noco Company**, Glenwillow, OH (US)  
(72) Inventors: **Jonathan Lewis Nook**, Gates Mills, OH (US); **William Knight Nook, Sr.**, Shaker Heights, OH (US); **James Richard Stanfield**, Peoria, AZ (US); **Derek Michael Underhill**, Tempe, AZ (US)

(73) Assignee: **The Noco Company**, Glenwillow, OH (US)

(\*\*) Term: **14 Years**

(21) Appl. No.: **29/462,696**

(22) Filed: **Aug. 7, 2013**

(51) **LOC (10) Cl.** ..... **13-03**

(52) **U.S. Cl.**  
USPC ..... **D13/133**

(58) **Field of Classification Search**  
USPC ..... D13/133, 146, 147, 153, 154, 184, 199;  
439/34, 246, 248, 274, 352, 358, 359,  
439/380, 448, 778, 894

See application file for complete search history.

(56) **References Cited**

U.S. PATENT DOCUMENTS

D425,860 S *	5/2000	Goto	.....	D13/133
D454,542 S *	3/2002	Nakashima et al.	.....	D13/146
D586,750 S *	2/2009	Li	.....	D13/133
D597,946 S *	8/2009	Li	.....	D13/133
D678,838 S *	3/2013	Henrink et al.	.....	D13/133
D684,537 S *	6/2013	Herink et al.	.....	D13/133

\* cited by examiner

*Primary Examiner* — Thomas Johannes

*Assistant Examiner* — Khawaja Anwar

(74) *Attorney, Agent, or Firm* — Vorys, Sater, Seymour and Pease LLP; Susanne M. Hopkins; William L. Klima

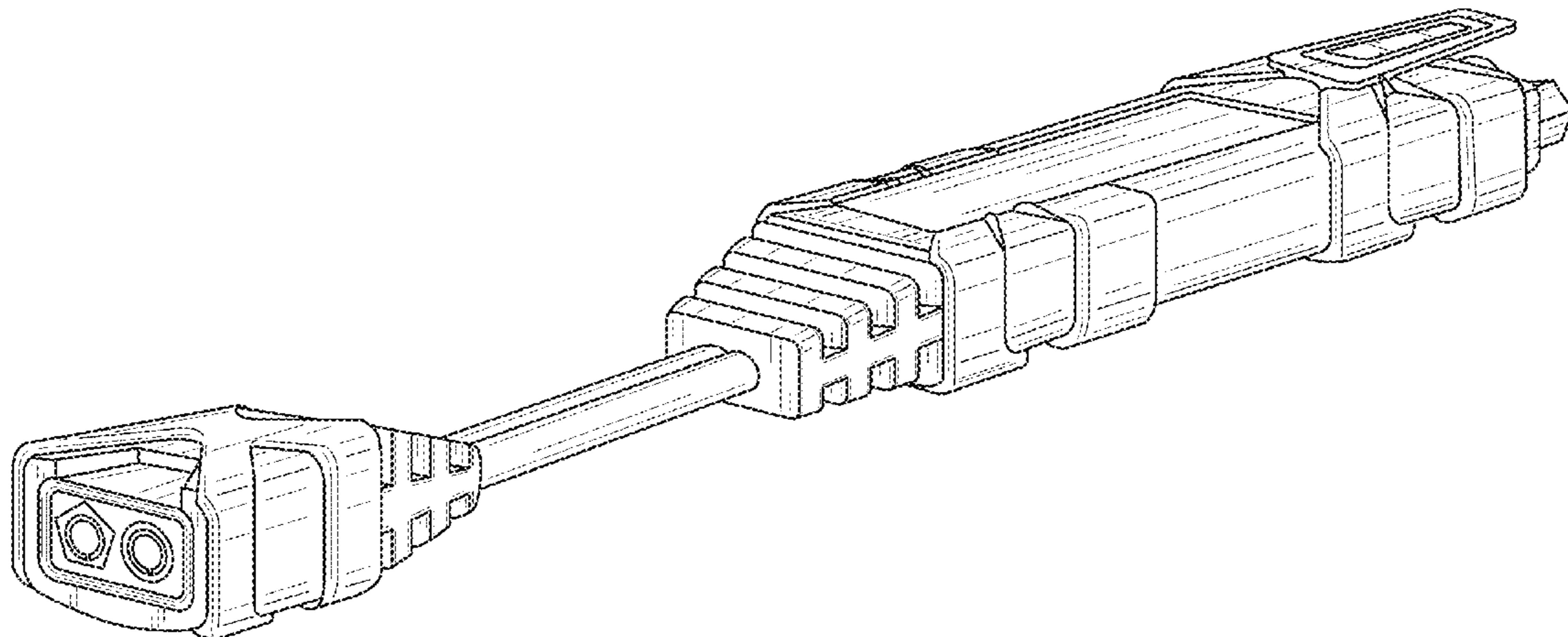
(57) **CLAIM**

The ornamental design for an electrical connector, as shown and described.

**DESCRIPTION**

FIG. 1 is a perspective view for an electrical connector showing our new design;  
FIG. 2 is a top plan view thereof;  
FIG. 3 is a bottom plan view thereof;  
FIG. 4 is a left-side elevation view thereof;  
FIG. 5 is a right-side elevation view thereof;  
FIG. 6 is a front and elevation view thereof; and,  
FIG. 7 is a rear and elevation view thereof.

**1 Claim, 3 Drawing Sheets**



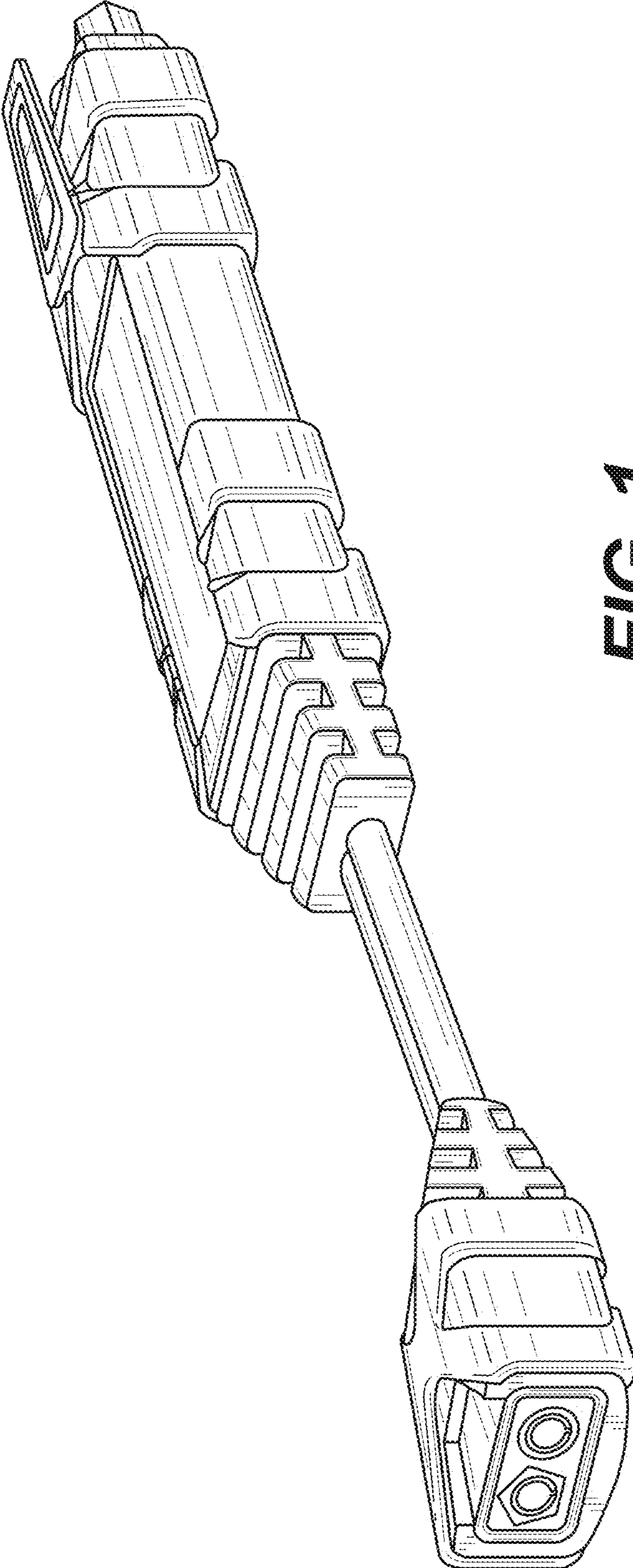
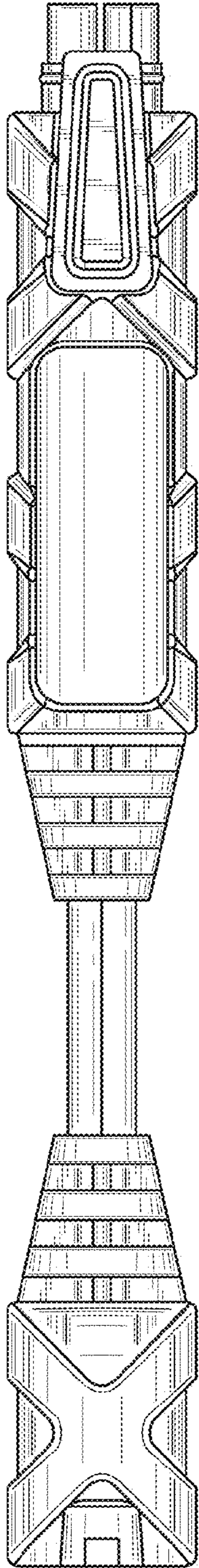
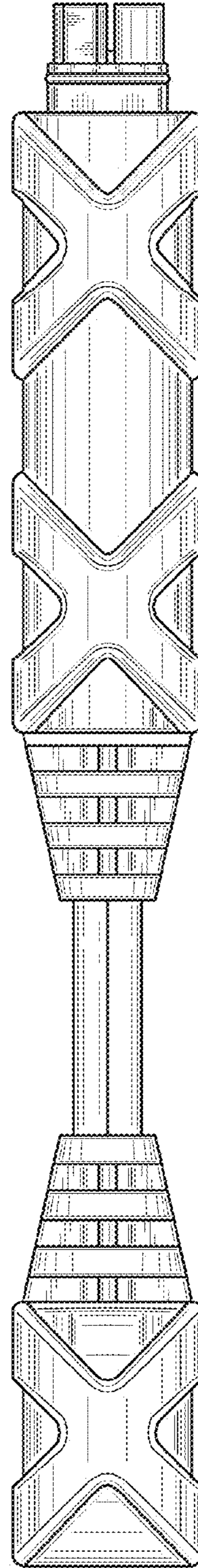


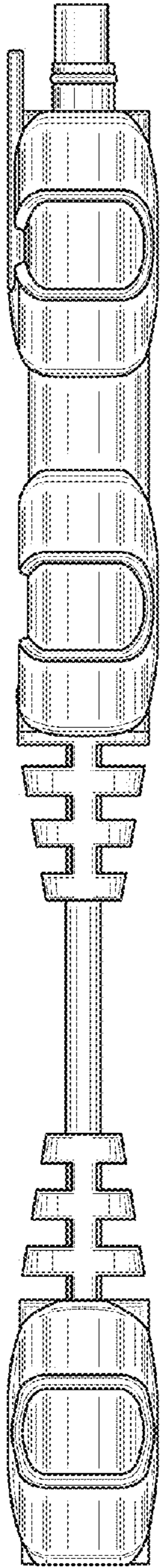
FIG. 1



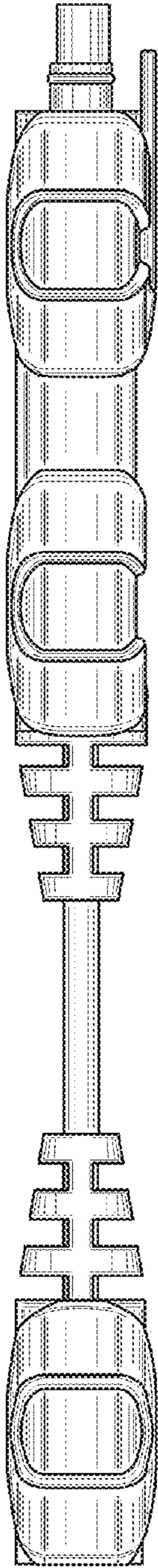
**FIG. 2**



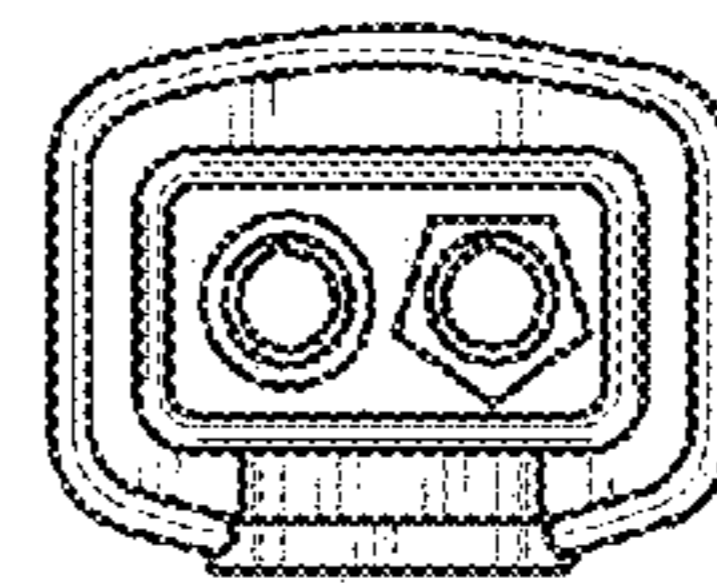
**FIG. 3**



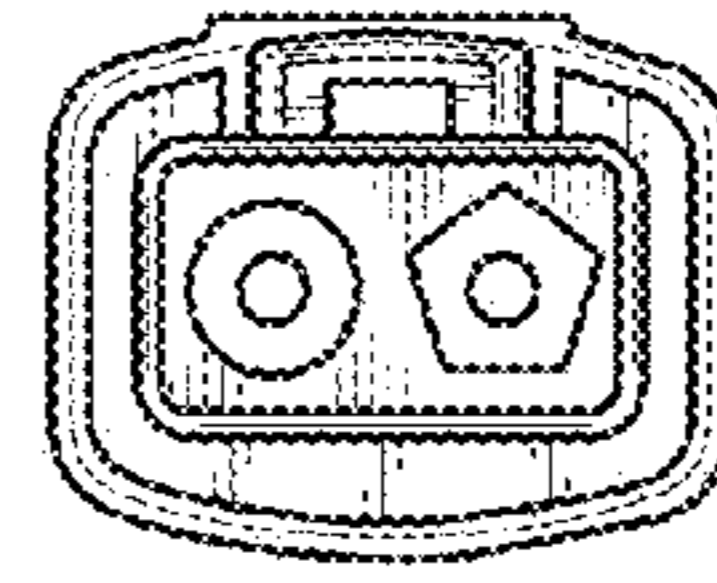
**FIG. 4**



**FIG. 5**



**FIG. 6**



**FIG. 7**