



US00D708138S

(12) **United States Design Patent**
Sticker et al.

(10) **Patent No.:** **US D708,138 S**

(45) **Date of Patent:** **** Jul. 1, 2014**

(54) **CONNECTOR**

(71) Applicants: **Rolf Sticker**, Donaueschingen (DE);
Hartmut Mueller, Braeunlingen (DE)

(72) Inventors: **Rolf Sticker**, Donaueschingen (DE);
Hartmut Mueller, Braeunlingen (DE)

(73) Assignee: **MCQ Tech GmbH**, Blumberg (DE)

(**) Term: **14 Years**

(21) Appl. No.: **29/433,260**

(22) Filed: **Sep. 27, 2012**

(30) **Foreign Application Priority Data**

Apr. 7, 2012 (DE) 40 2012 001 647

(51) **LOC (10) Cl.** **13-03**

(52) **U.S. Cl.**
USPC **D13/133**

(58) **Field of Classification Search**
USPC D13/133, 149, 151, 153, 154, 156, 199;
439/79, 248, 258, 274, 35, 352, 353,
439/358, 359, 362, 378, 445, 447, 578, 584,
439/585, 656, 66, 676, 677, 678, 679, 68,
439/681, 682, 686
See application file for complete search history.

(56) **References Cited**

U.S. PATENT DOCUMENTS

D278,230 S * 4/1985 Kominiak et al. D13/133
D351,588 S * 10/1994 McCain D13/154

D582,850 S * 12/2008 Andre D13/133
D605,595 S * 12/2009 Thomas D13/133
D673,500 S * 1/2013 Feige et al. D13/133
D678,838 S * 3/2013 Henrink et al. D13/133
D691,560 S * 10/2013 Wang D13/133
D691,949 S * 10/2013 Torma D13/133
2006/0009074 A1 * 1/2006 Montena 439/578
2006/0276079 A1 * 12/2006 Chen 439/578
2011/0237110 A1 * 9/2011 Montena 439/349
2013/0130541 A1 * 5/2013 Wei et al. 439/578

* cited by examiner

Primary Examiner — Thomas Johannes

(74) *Attorney, Agent, or Firm* — Andrew F. Young, Esq.;
Lackebach Siegel, LLP

(57) **CLAIM**

The ornamental design for a connector, as shown and described.

DESCRIPTION

FIG. 1 is a front perspective view of a connector showing our new design;
FIG. 2 is a top plan view thereof;
FIG. 3 is a front elevation view thereof, the rear elevation view being a mirror image thereto;
FIG. 4 is a bottom plan view thereof;
FIG. 5 is a left side elevation view thereof; and,
FIG. 6 is a right side elevation view thereof.
The surfaces are lightly lined for contour and no claim is made to contour lining. The dashed lines indicated disclaimed portions of the design, and no claim is made to the designated portions indicated by dashed lines.

1 Claim, 2 Drawing Sheets

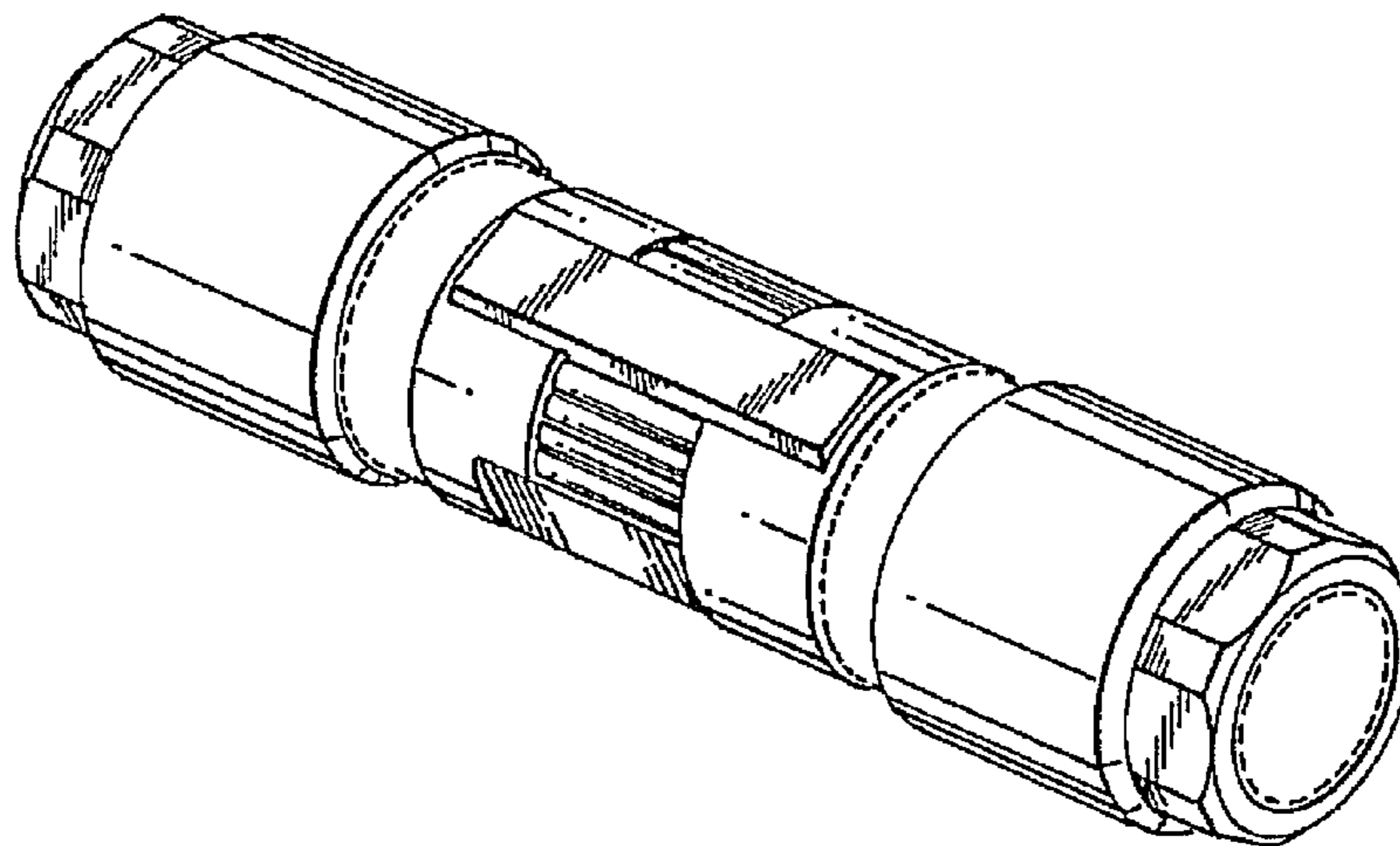


Fig. 1

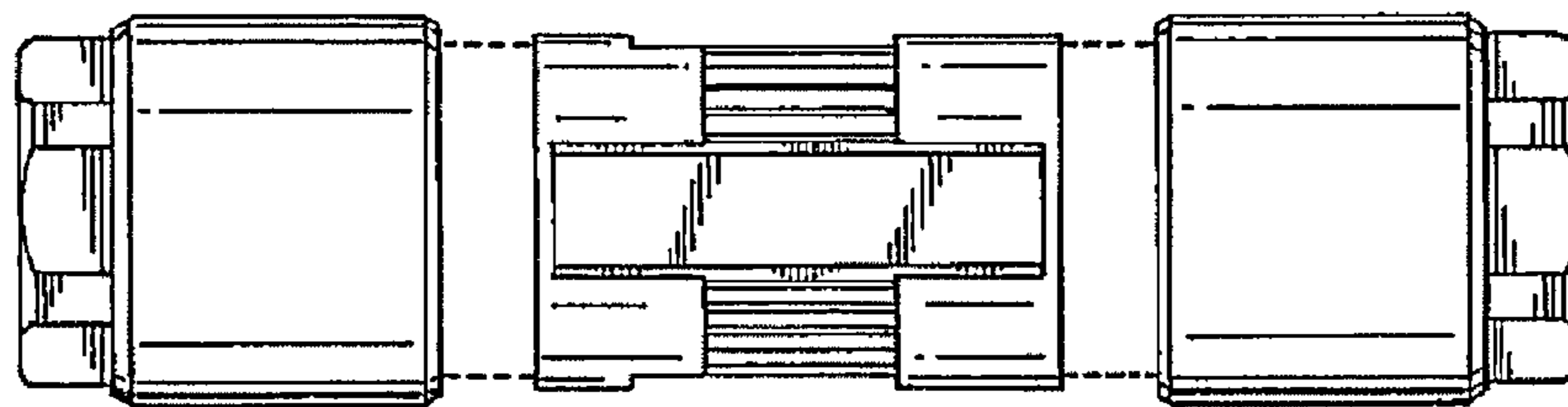
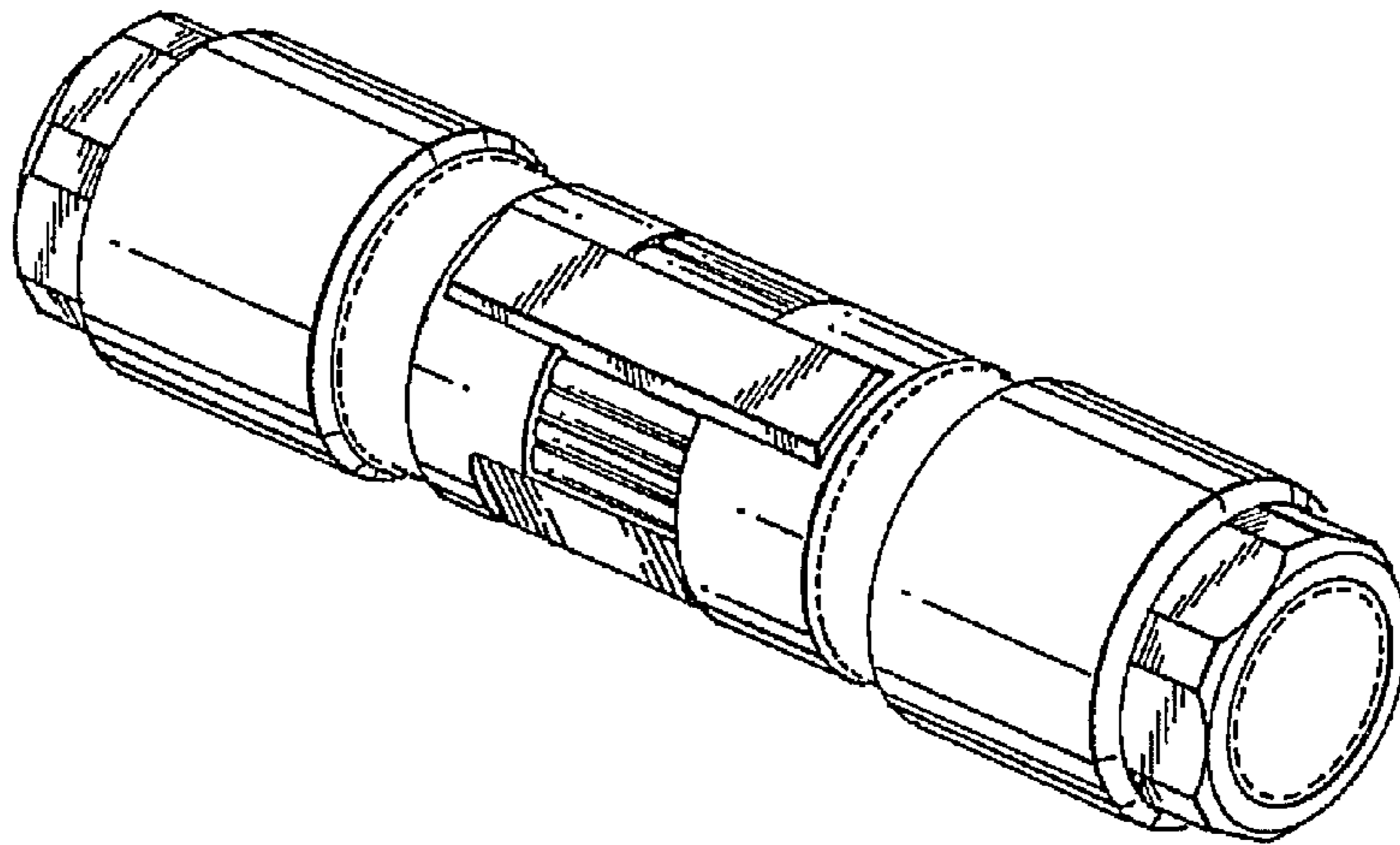


Fig. 2

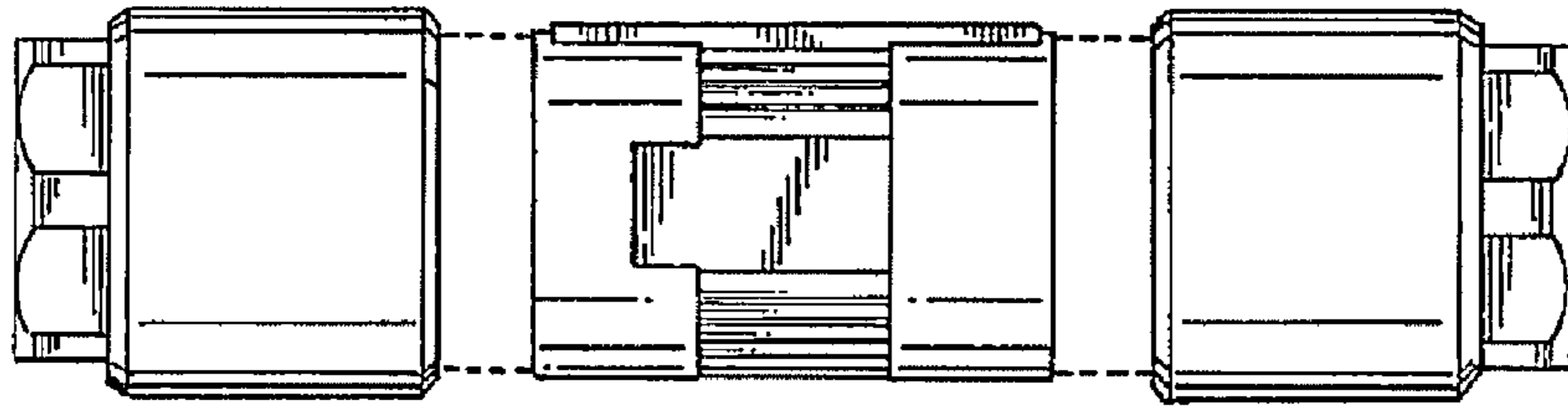


Fig. 3

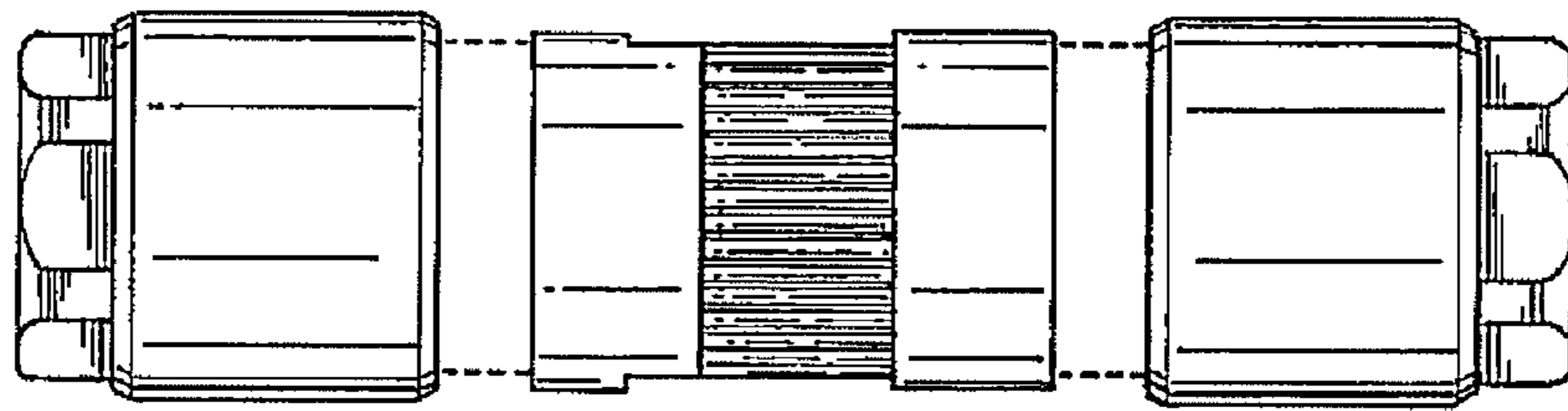


Fig. 4

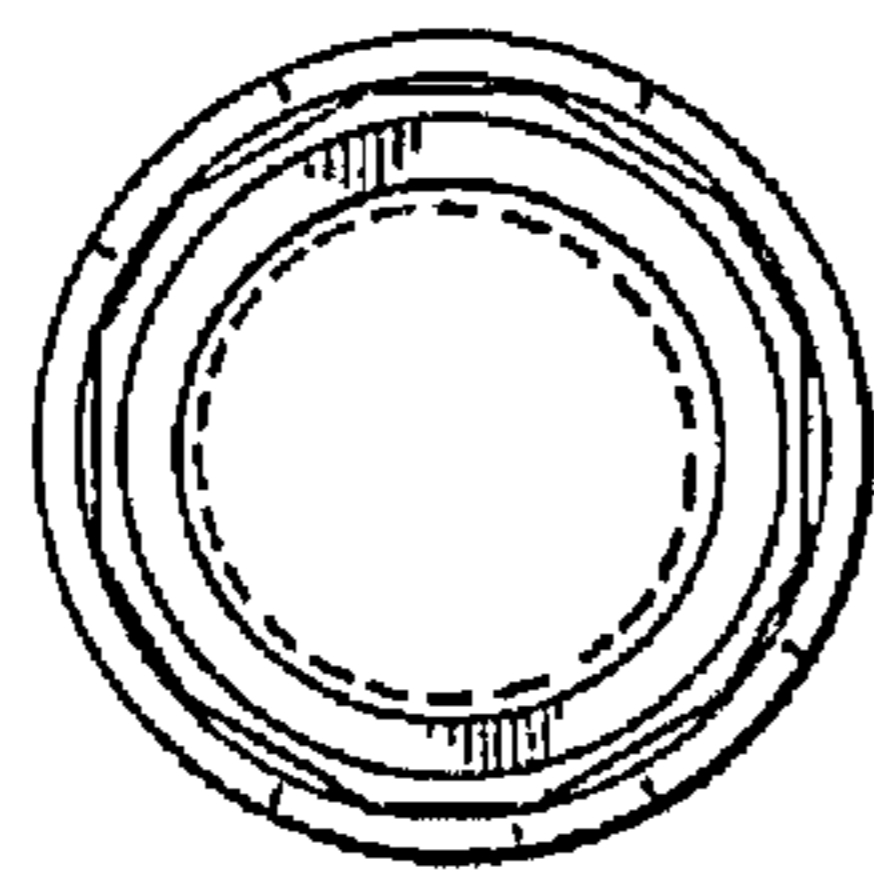


Fig. 5

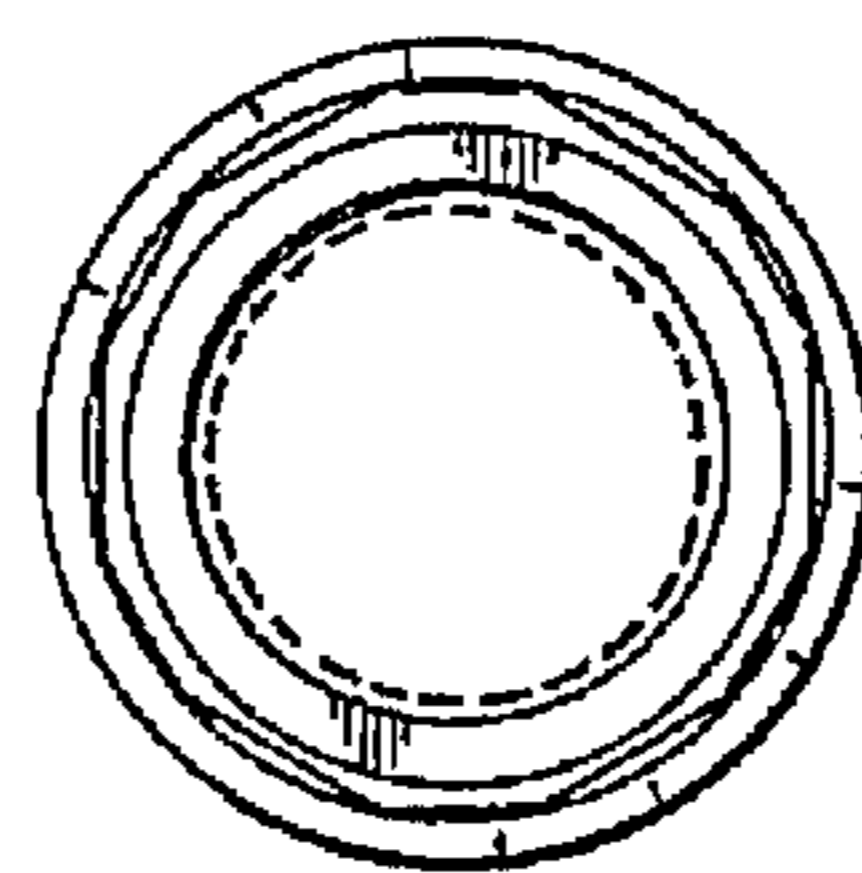


Fig. 6