



US00D708136S

(12) **United States Design Patent**
Eguizabal Garcia

(10) **Patent No.:** **US D708,136 S**
(45) **Date of Patent:** **** Jul. 1, 2014**

(54) **WIND POWER MACHINE**

(75) Inventor: **Juan Jose Eguizabal Garcia**, Logrono (ES)

(73) Assignee: **Geolica Innovations SL**, La Rioja (ES)

(**) Term: **14 Years**

(21) Appl. No.: **29/419,130**

(22) Filed: **Apr. 25, 2012**

(30) **Foreign Application Priority Data**

Nov. 17, 2011 (ES) 001948738-0001

(51) **LOC (10) CL.** **13-01**

(52) **U.S. Cl.**
USPC **D13/115**

(58) **Field of Classification Search**
USPC D13/115, 101, 118, 199; D15/1, 199;
D21/458; 29/889.6, 889.7; 52/40,
52/745.09; 228/144, 173.6; 415/4.2, 4.4,
415/122.1, 191, 916; 416/24, 37, 38, 141,
416/142, 176, 177, 196 A, 197 A, 227 A,
416/227 R, 242
See application file for complete search history.

(56) **References Cited**

U.S. PATENT DOCUMENTS

227,842 A * 5/1880 Rudolph 416/132 R
D275,010 S * 8/1984 McLean D15/1
5,199,669 A * 4/1993 Vogt et al. 244/145
D342,074 S * 12/1993 Burns D15/1

D509,794 S * 9/2005 Okubo et al. D13/115
6,957,946 B1 * 10/2005 Vander Kley 415/4.2
D511,495 S * 11/2005 Okubo et al. D13/115
D587,196 S * 2/2009 Chong D13/115
D610,542 S * 2/2010 Raisanen et al. D13/115
D625,261 S * 10/2010 Winkler et al. D13/115
D638,358 S * 5/2011 Sauer, Jr. D13/115
D641,699 S * 7/2011 Sayama et al. D13/115
D671,070 S * 11/2012 Joutsiniemi D13/115

* cited by examiner

Primary Examiner — Derrick Holland

(74) *Attorney, Agent, or Firm* — Defilló & Associates, Inc.;
Evelyn A. Defilló

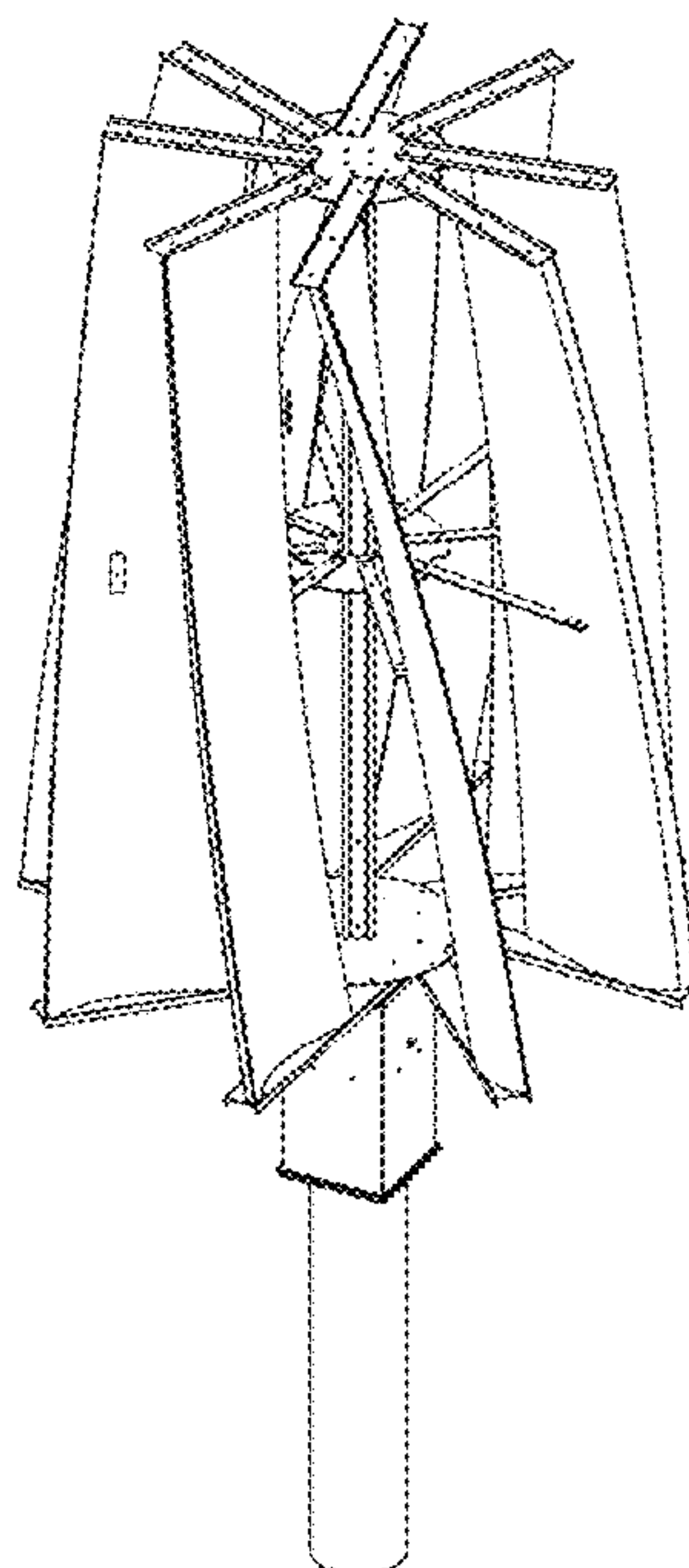
(57) **CLAIM**

I claim the ornamental design for a wind power machine, as shown and described.

DESCRIPTION

FIG. 1 is a perspective front view of a wind power machine showing my new design;
FIG. 2 is a perspective back view of the wind power machine of FIG. 1;
FIG. 3 is a perspective right side view of the wind power machine of FIG. 1;
FIG. 4 is a front view of the wind power machine of FIG. 1;
FIG. 5 is a perspective left side view of the wind power machine of FIG. 1;
FIG. 6 is bottom view of the wind power machine of FIG. 1;
and,
FIG. 7 is top view of the wind power machine of FIG. 1.

1 Claim, 7 Drawing Sheets



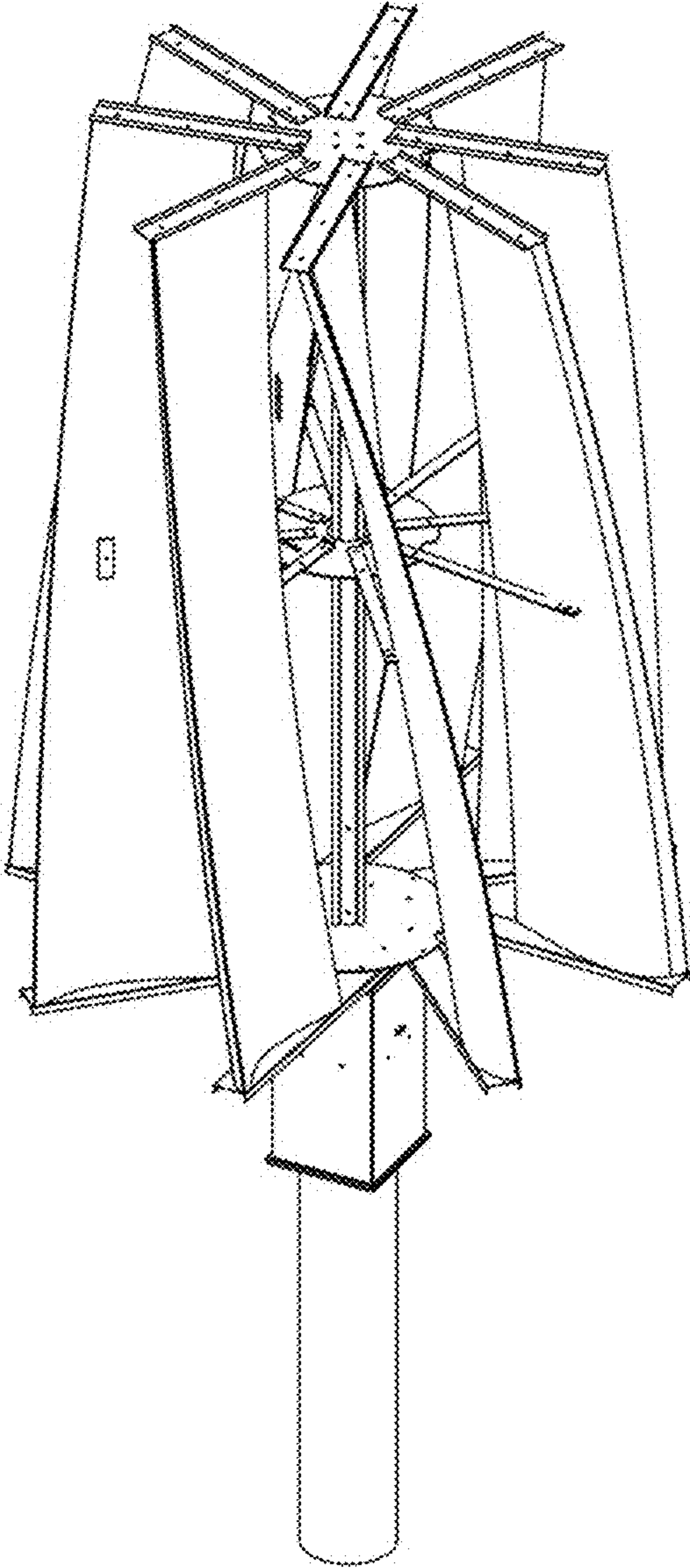


FIG. 1

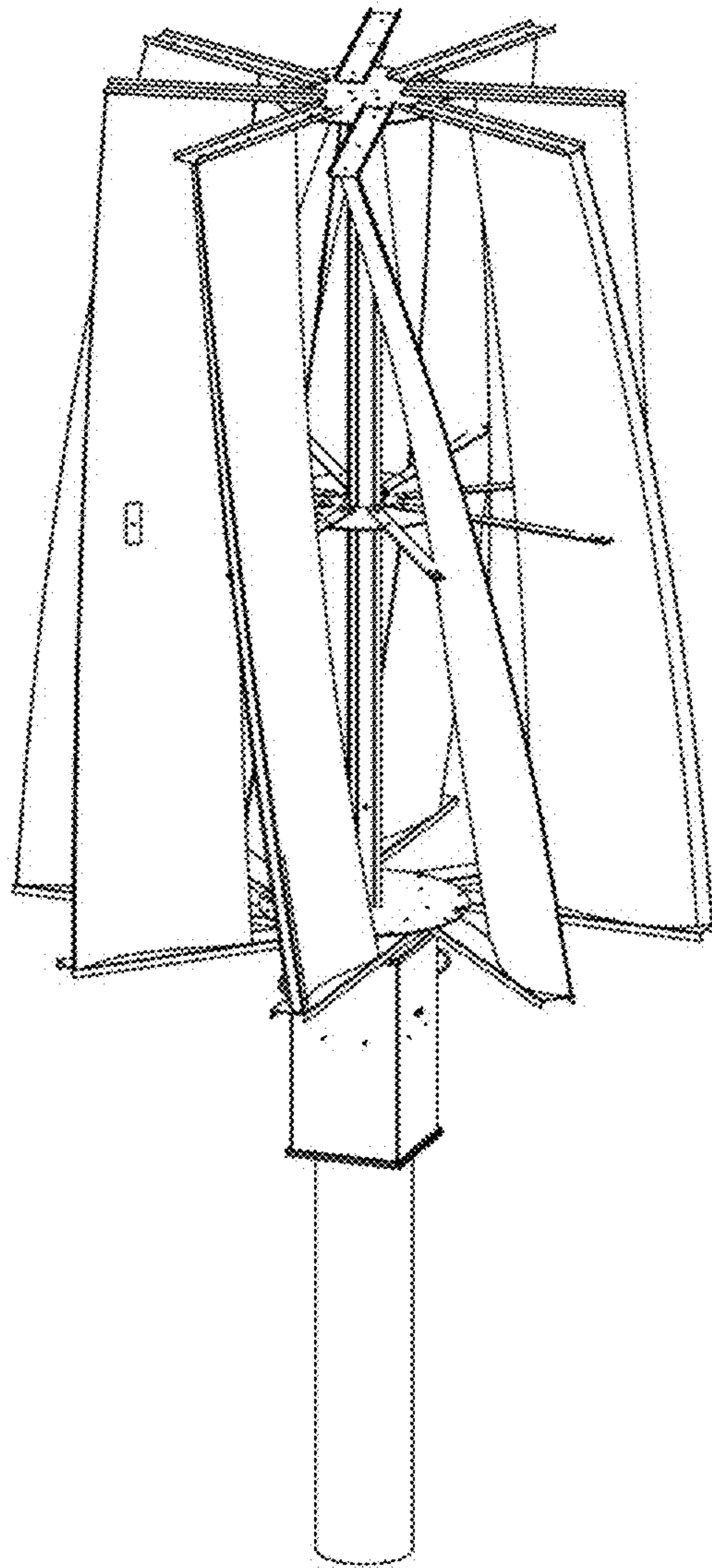


FIG. 2

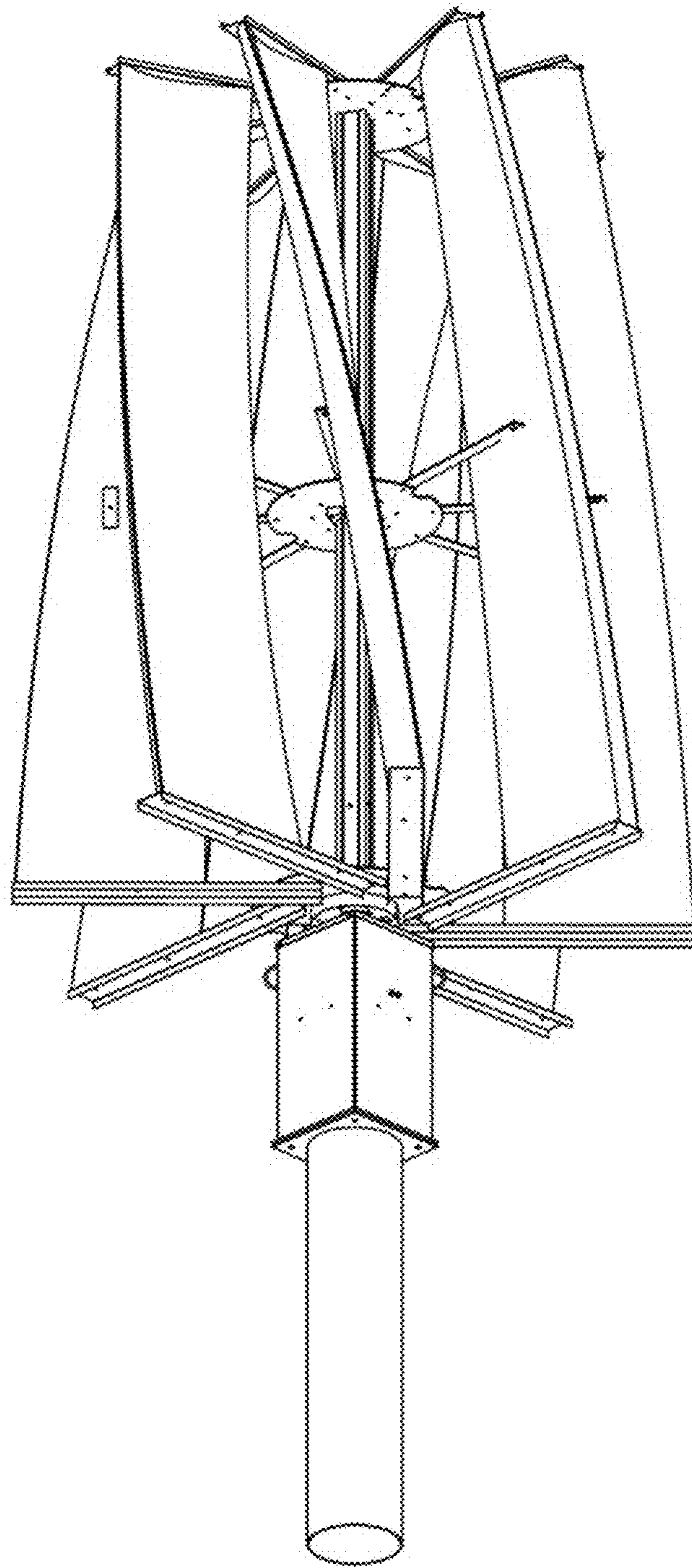


FIG. 3

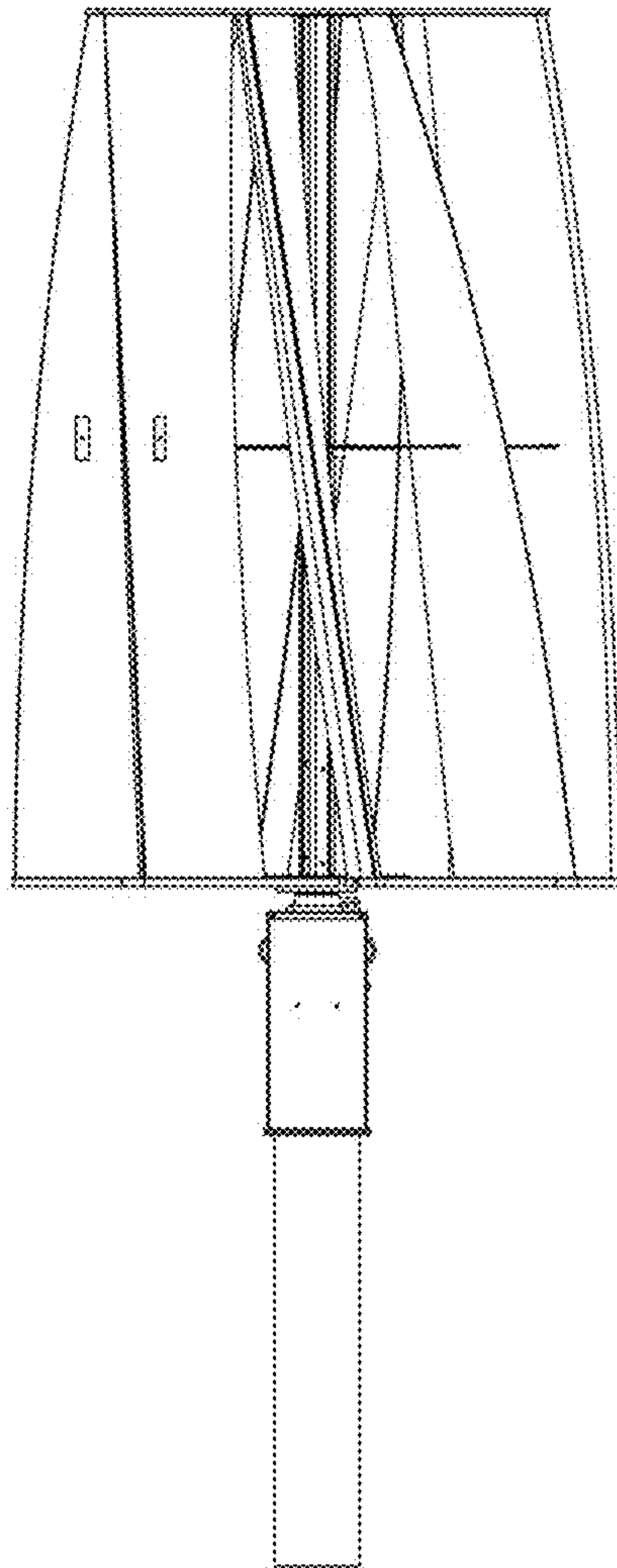


FIG. 4

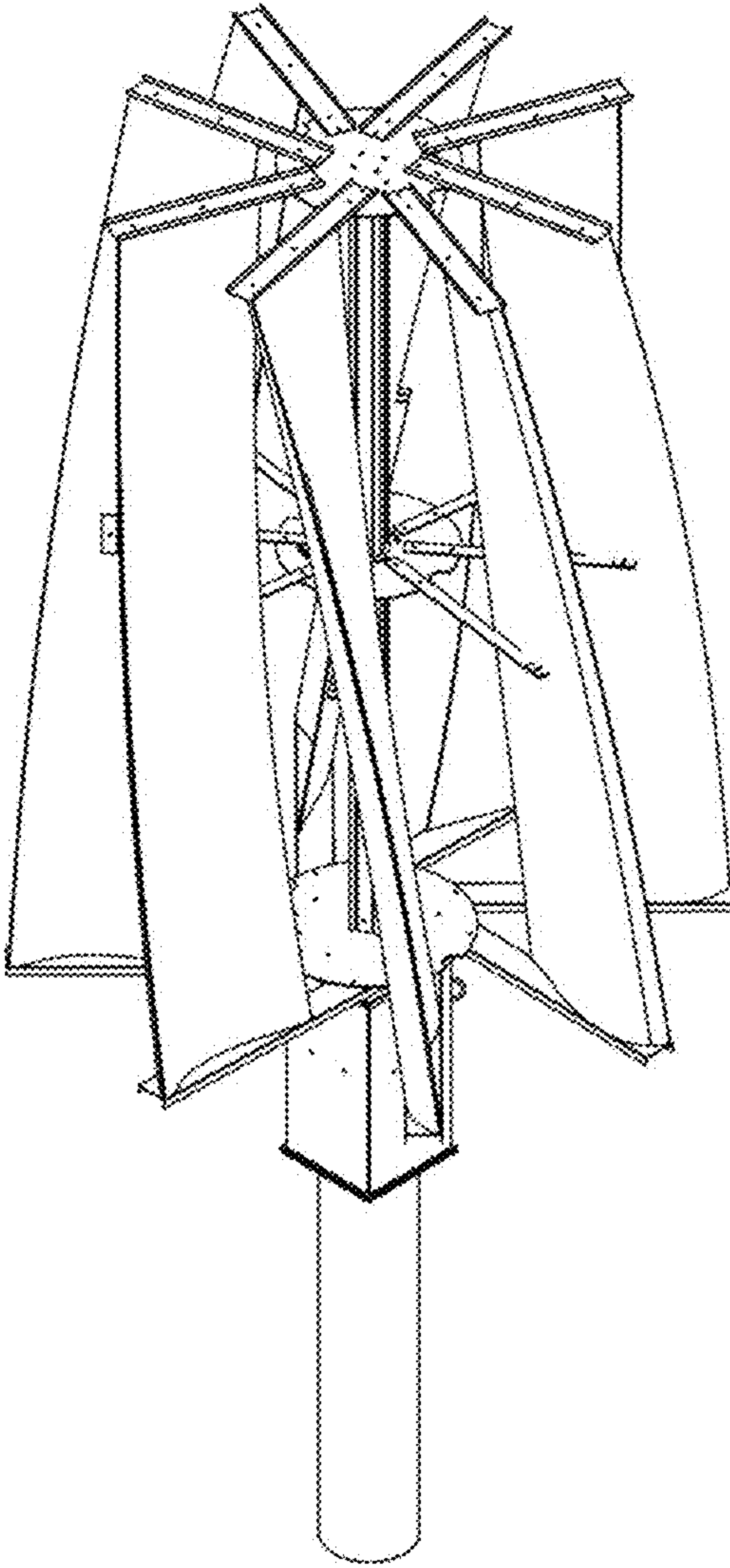


FIG. 5

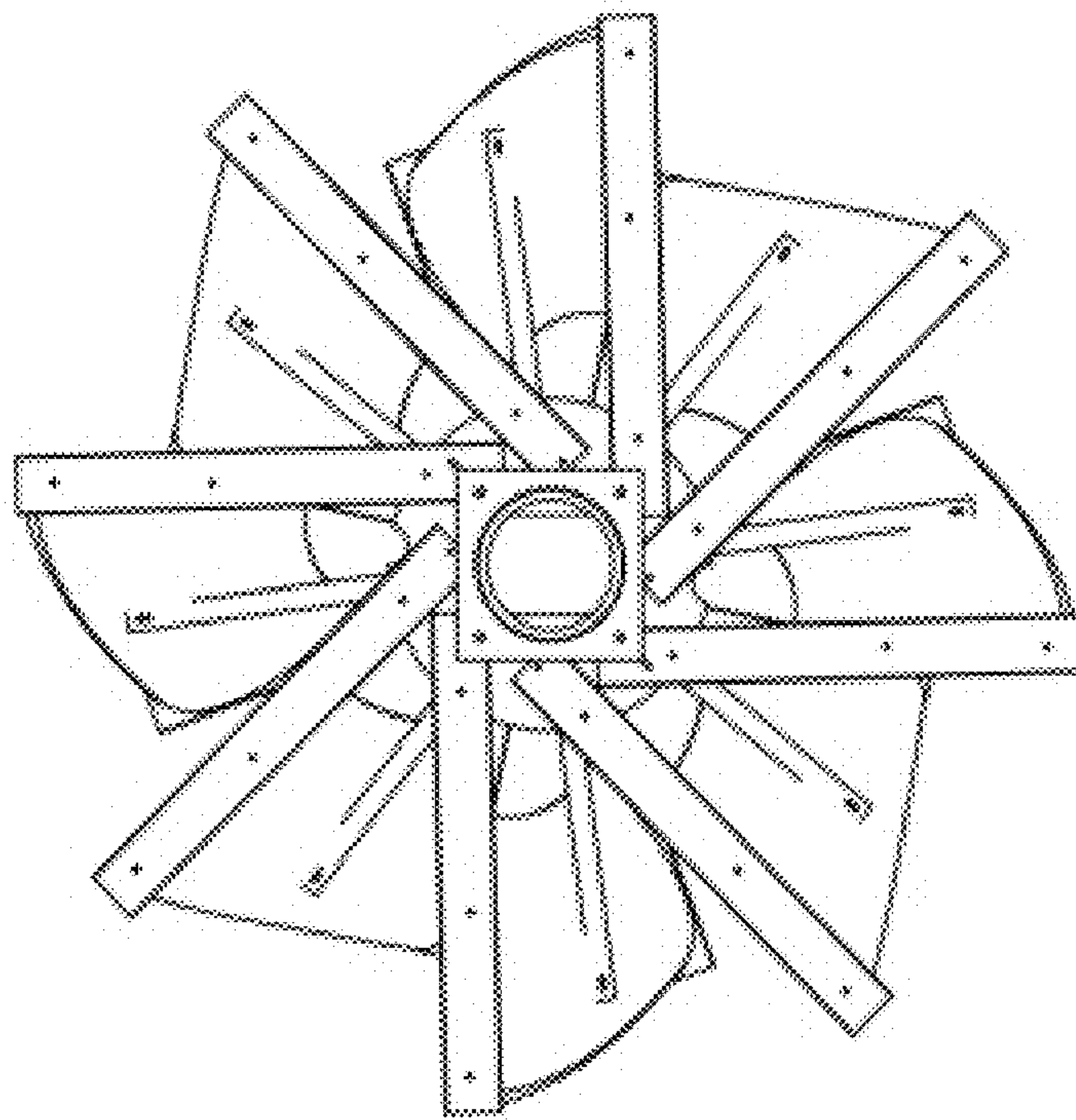


FIG. 6

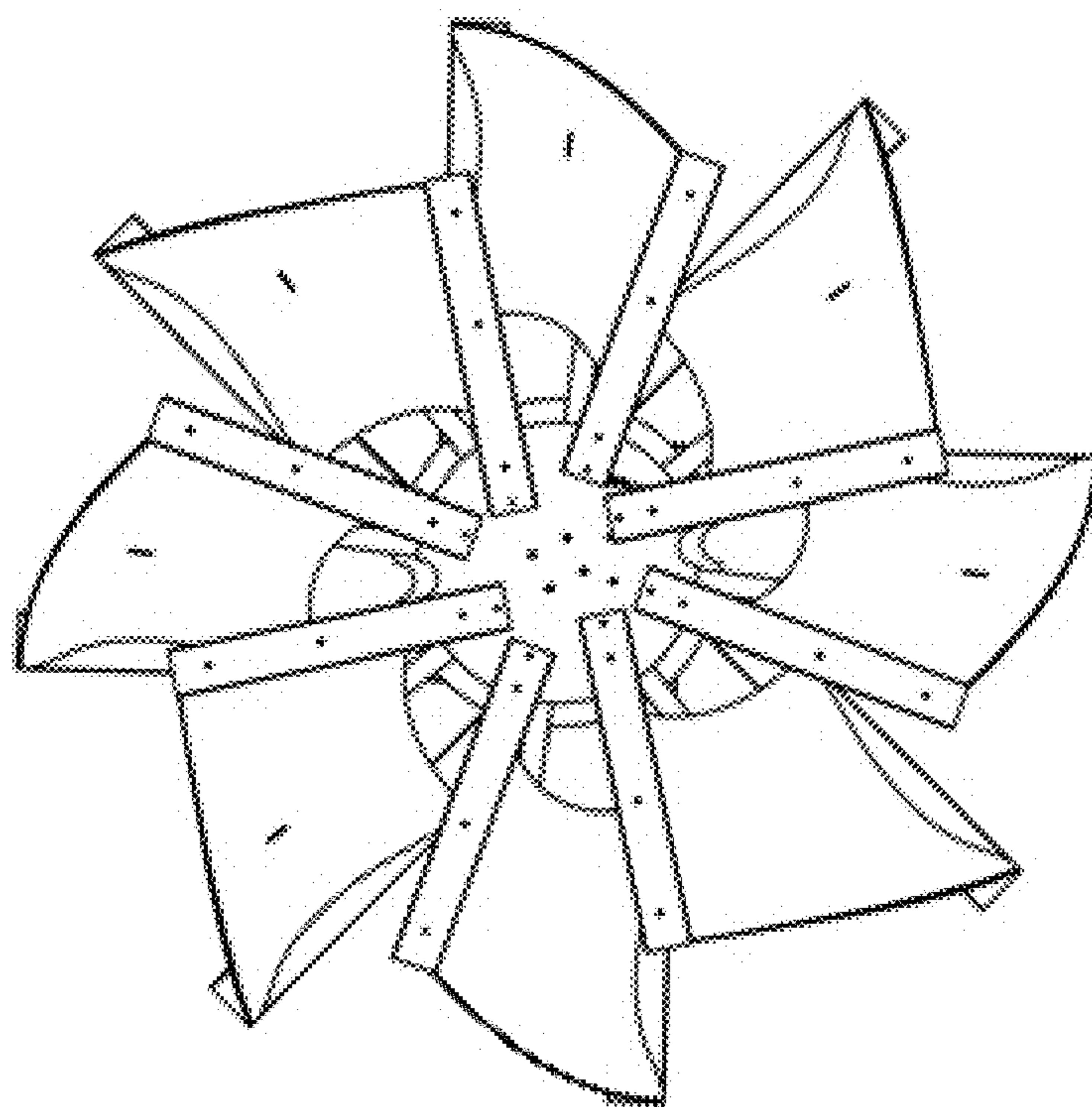


FIG. 7