



US00D708134S

(12) **United States Design Patent**  
**Druker et al.**

(10) **Patent No.:** **US D708,134 S**  
(45) **Date of Patent:** **\*\* Jul. 1, 2014**

(54) **FUEL CELL POWER SYSTEM**

(75) Inventors: **Joshua Todd Druker**, Rewdwood City, CA (US); **Stephen John Senatore**, S. San Francisco, CA (US); **Alexander Robert Brown**, San Jose, CA (US); **Kevin Daley Simmons**, San Jose, CA (US)

(73) Assignee: **Intelligent Energy Ltd.**, Loughborough (GB)

(\*\*) Term: **14 Years**

(21) Appl. No.: **29/418,869**

(22) Filed: **Apr. 23, 2012**

(51) **LOC (10) Cl.** ..... **13-02**

(52) **U.S. Cl.**  
USPC ..... **D13/110**

(58) **Field of Classification Search**  
USPC ..... D13/110, 101, 103, 107, 108, 118, 120, D13/184, 199; 48/61, 74; 60/39.55, 740, 60/742; 423/657; 429/12, 20, 30, 34-39, 429/411, 442, 469, 472, 479  
See application file for complete search history.

(56) **References Cited**

**U.S. PATENT DOCUMENTS**

D351,337 S \* 10/1994 Bonnema et al. .... D9/690  
D432,495 S \* 10/2000 Sugita et al. .... D13/103

D446,499 S \* 8/2001 Andre et al. .... D13/110  
D454,110 S \* 3/2002 Andre et al. .... D13/110  
D462,050 S \* 8/2002 Smith et al. .... D13/101  
6,630,266 B2 \* 10/2003 Hockaday et al. .... 429/442  
D539,734 S \* 4/2007 Brady et al. .... D13/110  
D612,329 S \* 3/2010 Guccione et al. .... D13/108  
D633,034 S \* 2/2011 Heine et al. .... D13/103  
D665,734 S \* 8/2012 Fitch et al. .... D13/107  
D673,497 S \* 1/2013 Rosenzweig et al. .... D13/101

\* cited by examiner

*Primary Examiner* — Derrick Holland

(74) *Attorney, Agent, or Firm* — Baker Hostetler, LLP

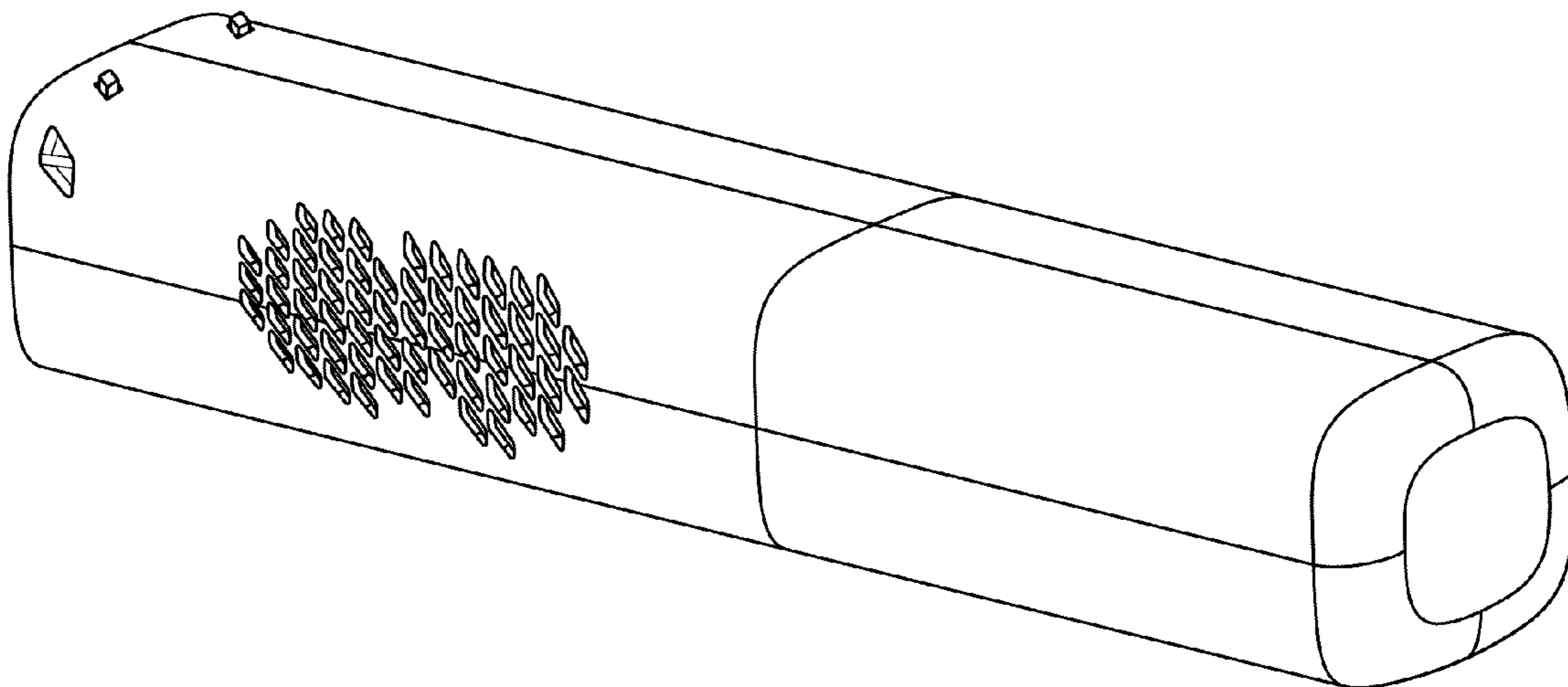
(57) **CLAIM**

The ornamental design for a fuel cell power system, as shown and described.

**DESCRIPTION**

FIG. 1 is a perspective view of a baton fuel cartridge showing our new design;  
FIG. 2 is a right side elevation view thereof;  
FIG. 3 is a top plan view thereof;  
FIG. 4 is a left side elevation view thereof;  
FIG. 5 is a bottom plan view thereof;  
FIG. 6 is a rear elevation view thereof; and,  
FIG. 7 is a front elevation view thereof.  
The broken lines shown represent unclaimed subject matter and form no part of the claimed design.

**1 Claim, 2 Drawing Sheets**



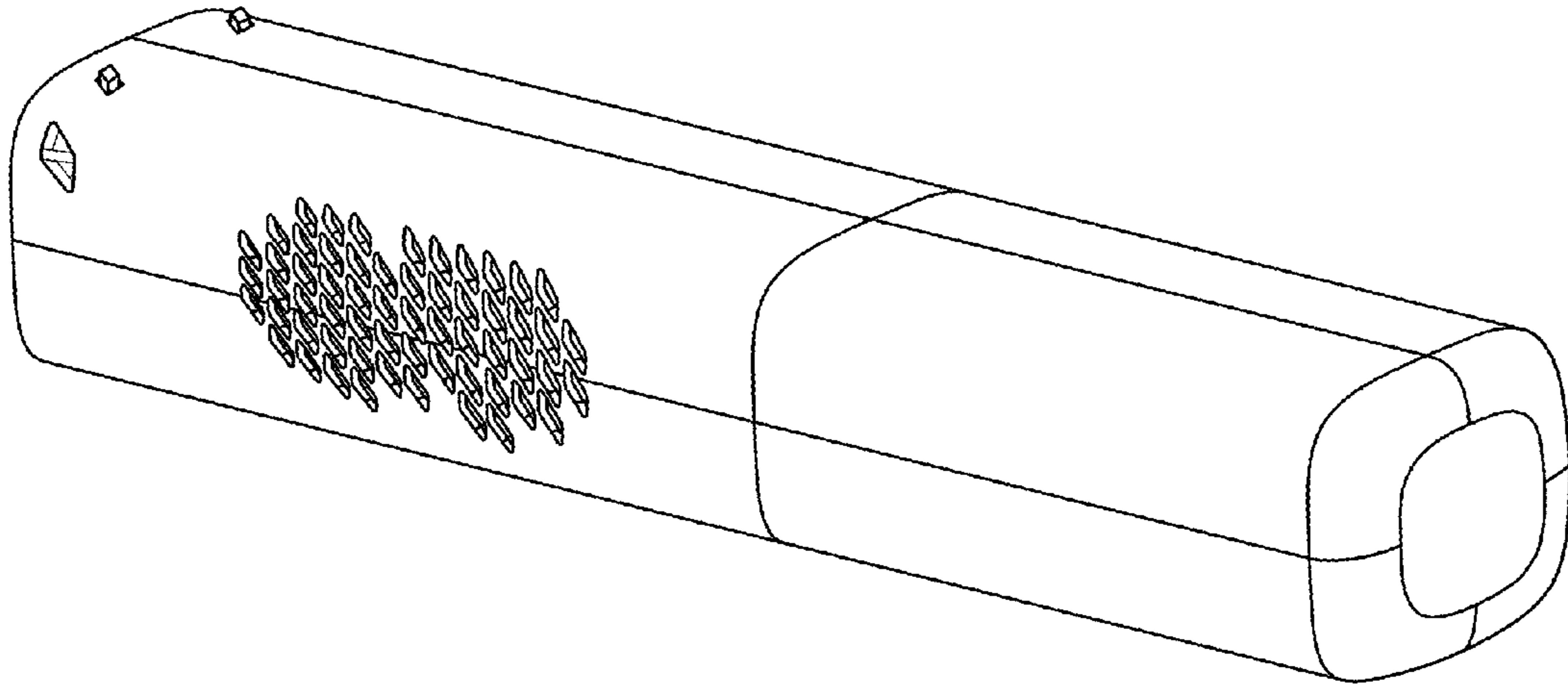


FIG. 1

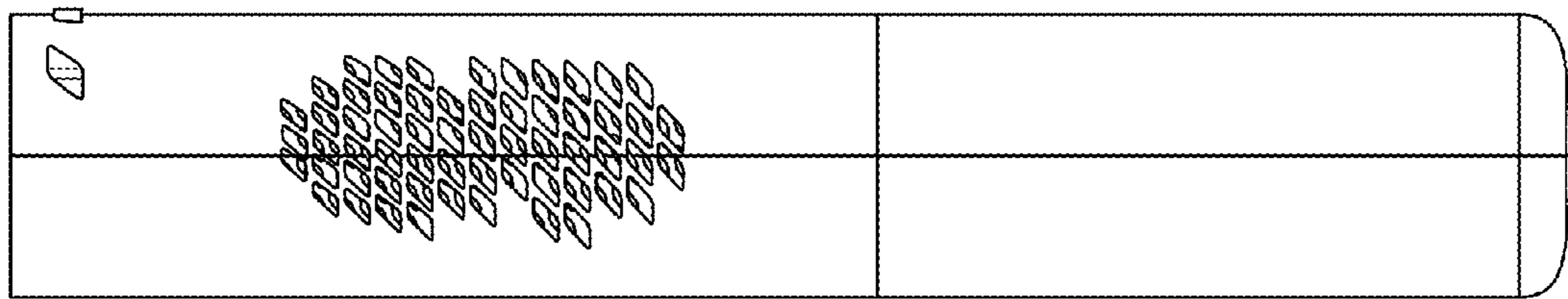


FIG. 2

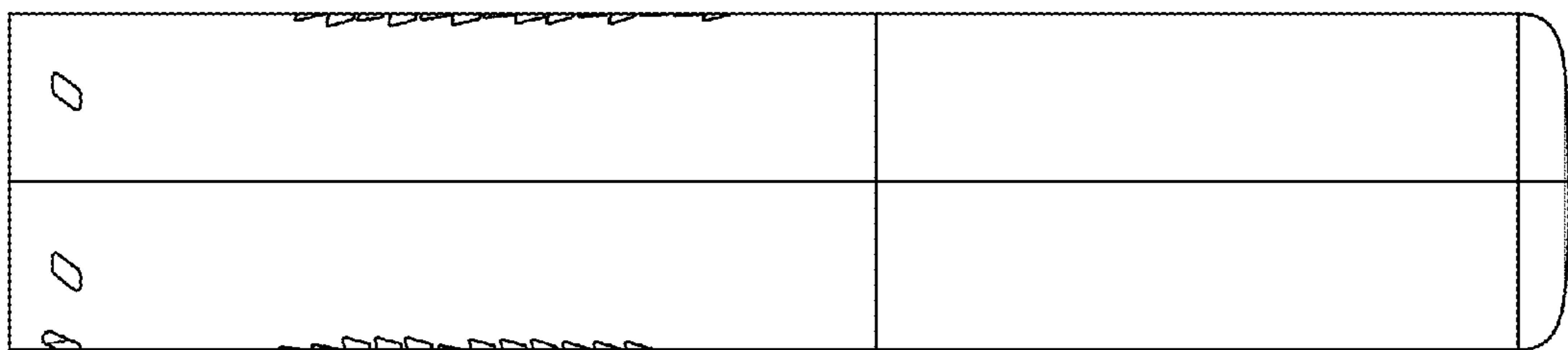


FIG. 3

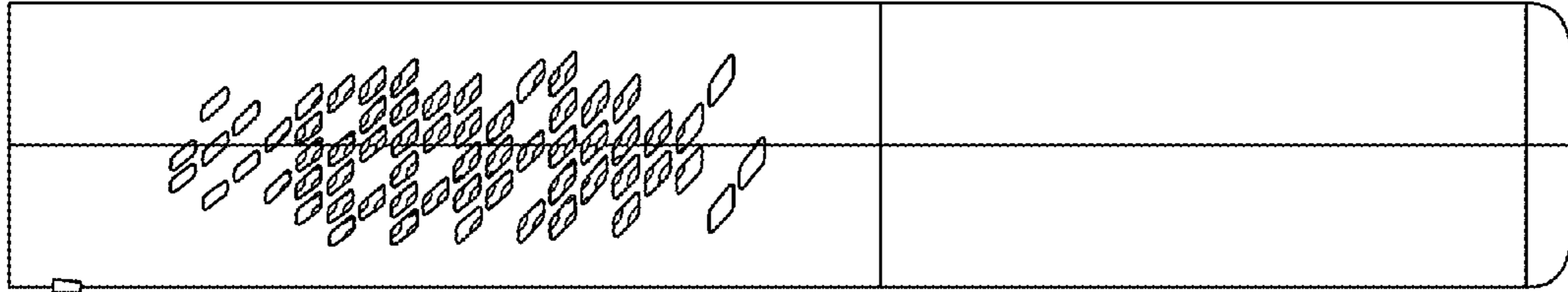


FIG. 4

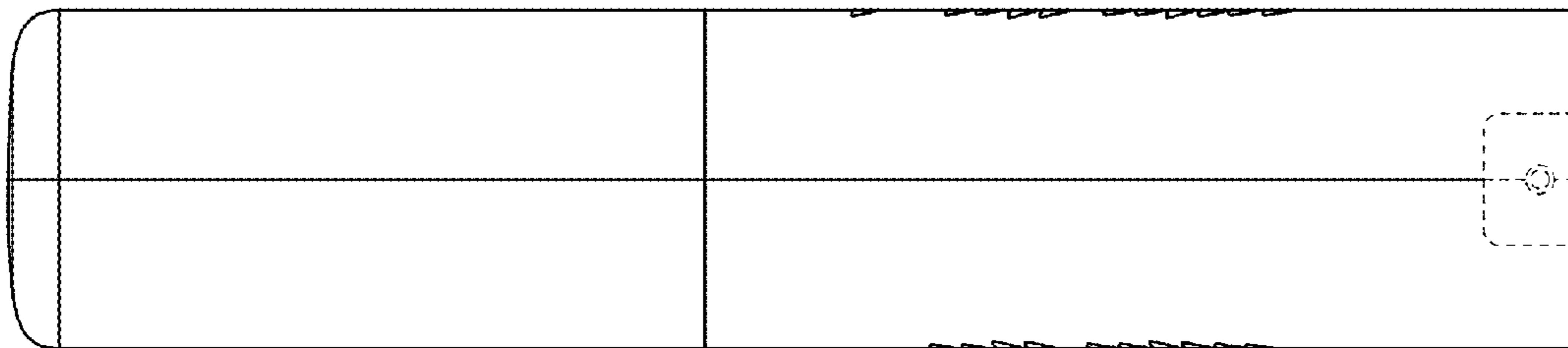


FIG. 5

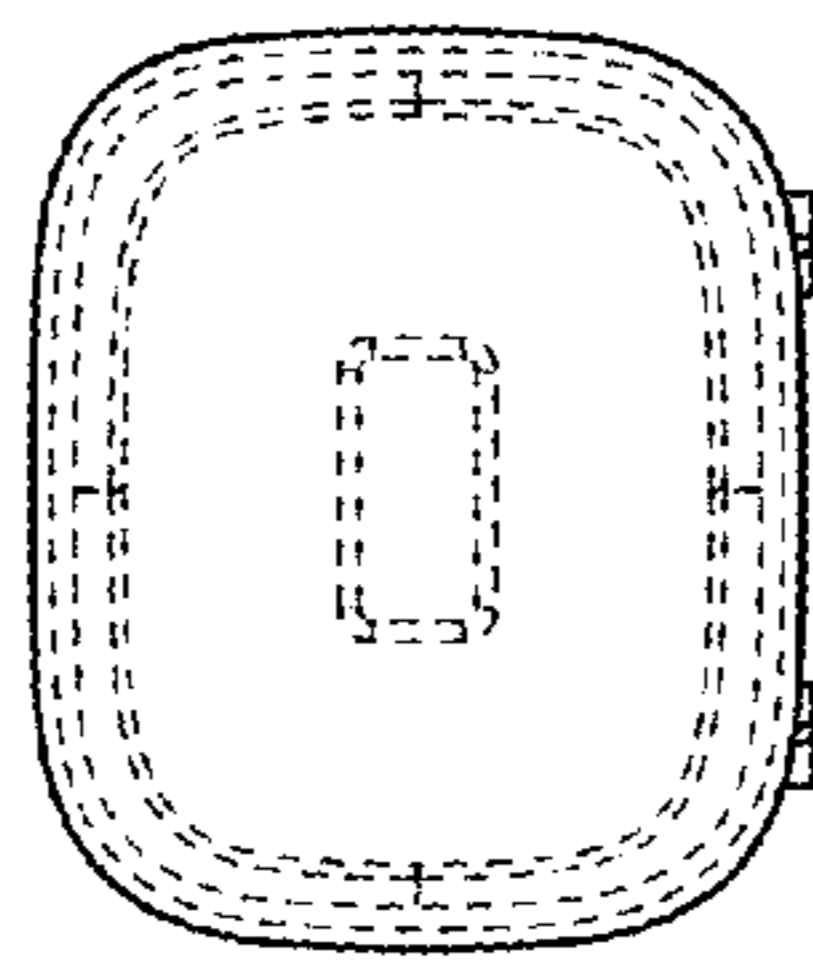


FIG. 6

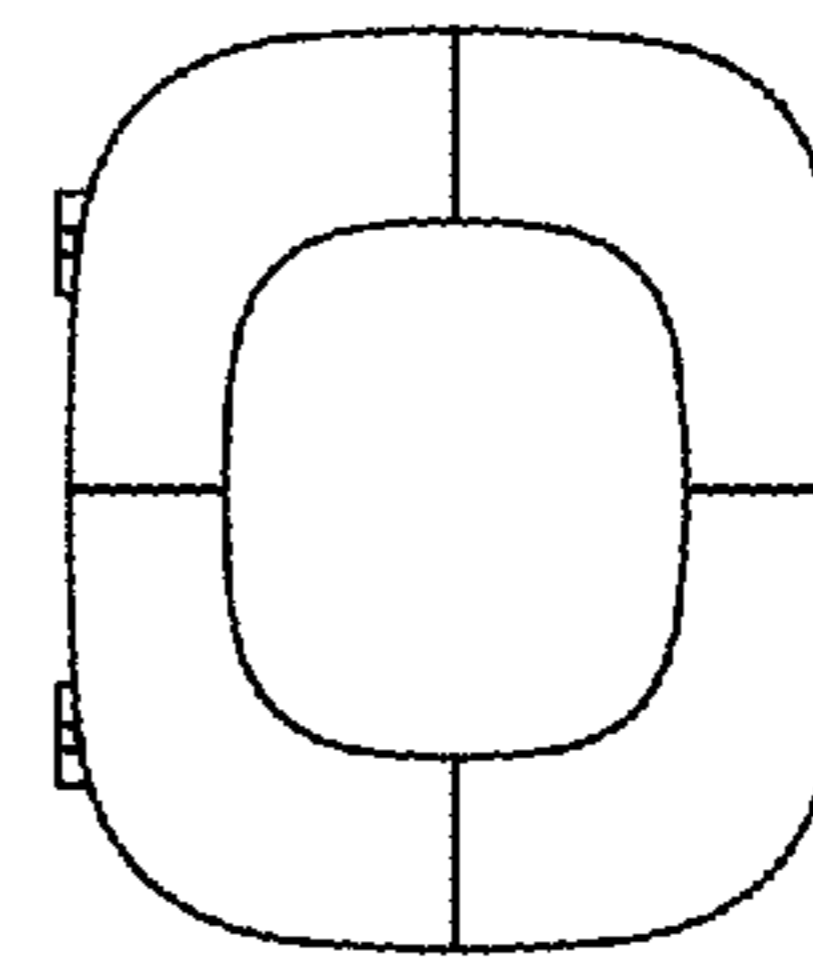


FIG. 7