



US00D708131S

(12) **United States Design Patent**  
**Miller et al.**

(10) **Patent No.:** **US D708,131 S**  
(45) **Date of Patent:** **\*\* Jul. 1, 2014**

(54) **PORTABLE POWER CHARGER WITH  
RETRACTABLE POWER INPUT  
CONNECTORS**

(71) Applicants: **Garold C. Miller**, Glastonbury, CT  
(US); **Nathan Daniel Weinstein**,  
Glastonbury, CT (US)

(72) Inventors: **Garold C. Miller**, Glastonbury, CT  
(US); **Nathan Daniel Weinstein**,  
Glastonbury, CT (US)

(73) Assignee: **Halo2Cloud LLC**, Glastonbury, CT  
(US)

(\*\*) Term: **14 Years**

(21) Appl. No.: **29/464,116**

(22) Filed: **Aug. 13, 2013**

**Related U.S. Application Data**

(63) Continuation of application No. 13/833,838, filed on  
Mar. 15, 2013.

(51) **LOC (10) Cl.** ..... **13-02**

(52) **U.S. Cl.**  
USPC ..... **D13/108**; D13/144

(58) **Field of Classification Search**  
USPC ..... D13/107–110, 118–119, 138.1–138.2,  
D13/144, 184, 199; D14/155; 320/107–115;  
363/146; 439/300, 638, 668–669, 675,  
439/825

See application file for complete search history.

(56) **References Cited**

**U.S. PATENT DOCUMENTS**

D369,811 S \* 5/1996 Chen ..... D14/248  
5,829,993 A 11/1998 Wu  
5,847,545 A \* 12/1998 Chen et al. .... 320/138  
5,901,056 A \* 5/1999 Hung ..... 363/142  
D456,349 S \* 4/2002 Chuang ..... D13/107  
D478,546 S \* 8/2003 Andre et al. .... D13/110  
6,612,875 B1 9/2003 Liao  
D509,792 S \* 9/2005 Hsu ..... D13/110

D510,318 S \* 10/2005 Hsu ..... D13/110  
D543,940 S \* 6/2007 Hussaini et al. .... D13/144  
D554,585 S 11/2007 Nazar  
D562,231 S \* 2/2008 Osiecki et al. .... D13/107  
D574,833 S 8/2008 Hussaini et al.  
D585,825 S 2/2009 Ji  
D594,817 S \* 6/2009 Abdallah et al. .... D13/107  
D610,094 S \* 2/2010 Ouimette et al. .... D13/144  
D616,363 S \* 5/2010 Weng ..... D13/107  
D628,152 S \* 11/2010 Fujii et al. .... D13/108  
D633,436 S 3/2011 Griffin, Jr.  
D636,725 S 4/2011 Levy et al.  
7,942,691 B1 5/2011 McSweyn  
D641,695 S 7/2011 Wegener et al.  
D647,476 S \* 10/2011 Ciou ..... D13/110  
D666,968 S \* 9/2012 Huang ..... D13/110  
D670,249 S \* 11/2012 Inskeep ..... D13/144  
D675,988 S \* 2/2013 Levy et al. .... D13/144  
D675,998 S 2/2013 Levy et al.  
D685,326 S \* 7/2013 Kim et al. .... D13/110  
D694,185 S \* 11/2013 Matsuoka et al. .... D13/110  
2012/0238132 A1 9/2012 McSweyn

\* cited by examiner

*Primary Examiner* — Rosemary K Tarca

(74) *Attorney, Agent, or Firm* — McCormick, Paulding &  
Huber LLP

(57) **CLAIM**

The ornamental design for a portable power charger with  
retractable power input connectors, substantially as shown.

**DESCRIPTION**

FIG. 1 is a front, top, right-hand side perspective view of a  
portable power charger with retractable power input connec-  
tors comprising a first embodiment of a new, original and  
ornamental;

FIG. 2 is a right-hand side, top, rear perspective view thereof;

FIG. 3 is a rear, top, left-hand side perspective view thereof;

FIG. 4 is a top view thereof;

FIG. 5 is a bottom view thereof;

FIG. 6 is a front view thereof;

FIG. 7 is a rear view thereof;

FIG. 8 is a right-hand side view thereof;

FIG. 9 is a left-hand side view thereof;

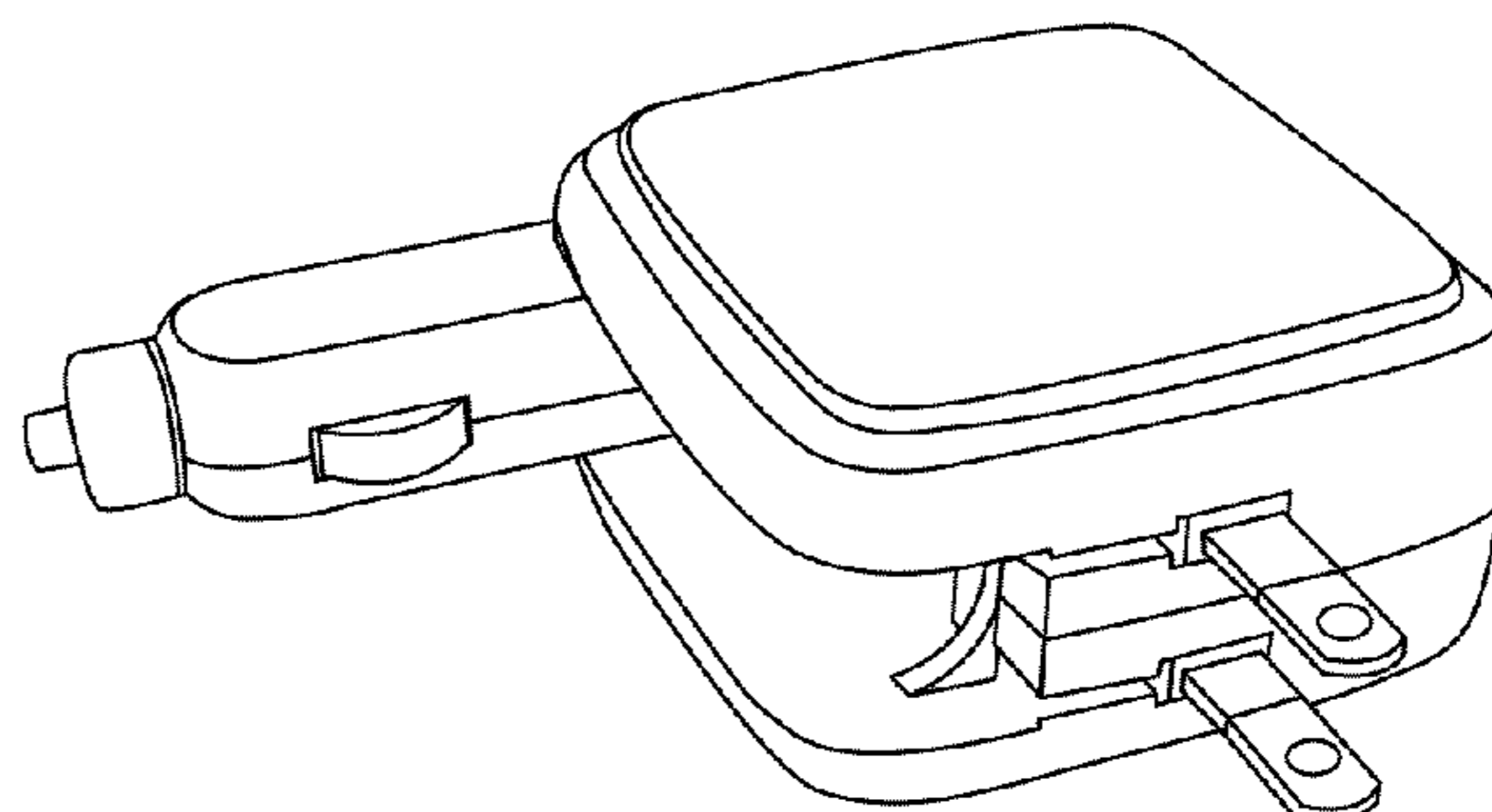
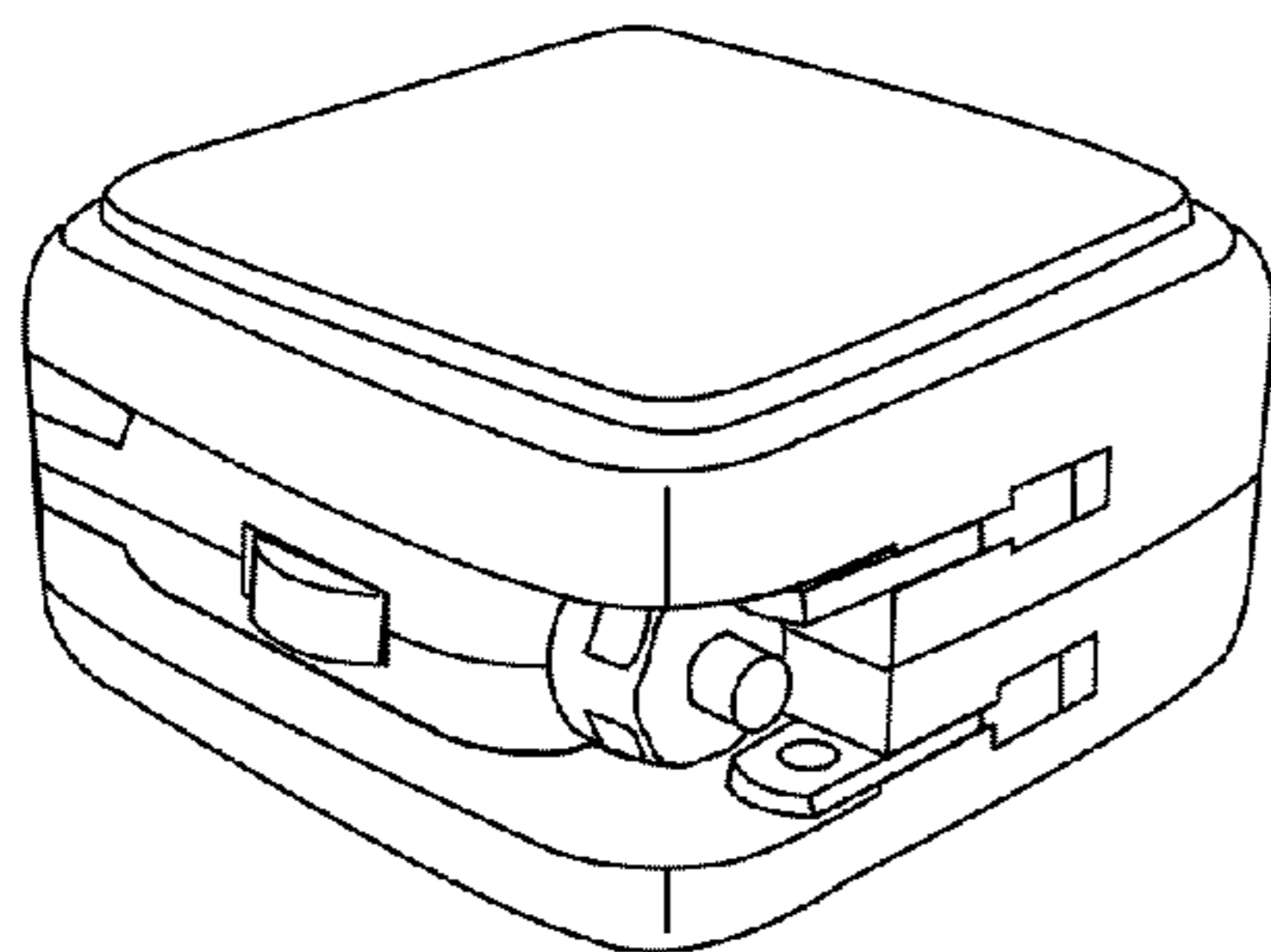


FIG. 10 is a front, top, right-hand side perspective view of a portable power charger with retractable power input connectors comprising a second embodiment of a new, original and ornamental design;

FIG. 11 is a right-hand side, top, rear perspective view thereof;

FIG. 12 is a rear, top, left-hand side perspective view thereof;

FIG. 13 is a top view thereof;

FIG. 14 is a bottom view thereof;

FIG. 15 is a front view thereof;

FIG. 16 is a rear view thereof;

FIG. 17 is a right-hand side view thereof;

FIG. 18 is a left-hand side view thereof;

FIG. 19 is a front, top, right-hand side perspective view of a portable power charger with retractable power input connectors comprising a third embodiment of a new, original and ornamental design;

FIG. 20 is a right-hand side, top, rear perspective view thereof;

FIG. 21 is a rear, top, left-hand side perspective view thereof;

FIG. 22 is a top view thereof;

FIG. 23 is a bottom view thereof;

FIG. 24 is a front view thereof;

FIG. 25 is a rear view thereof;

FIG. 26 is a right-hand side view thereof;

FIG. 27 is a left-hand side view thereof;

FIG. 28 is a front, top, right-hand side perspective view of a portable power charger with retractable power input connectors comprising a fourth embodiment of a new, original and ornamental design;

FIG. 29 is a right-hand side, top, rear perspective view thereof;

FIG. 30 is a rear, top, left-hand side perspective view thereof;

FIG. 31 is a top view thereof;

FIG. 32 is a bottom view thereof;

FIG. 33 is a front view thereof;

FIG. 34 is a rear view thereof;

FIG. 35 is a right-hand side view thereof; and,

FIG. 36 is a left-hand side view thereof.

**1 Claim, 8 Drawing Sheets**

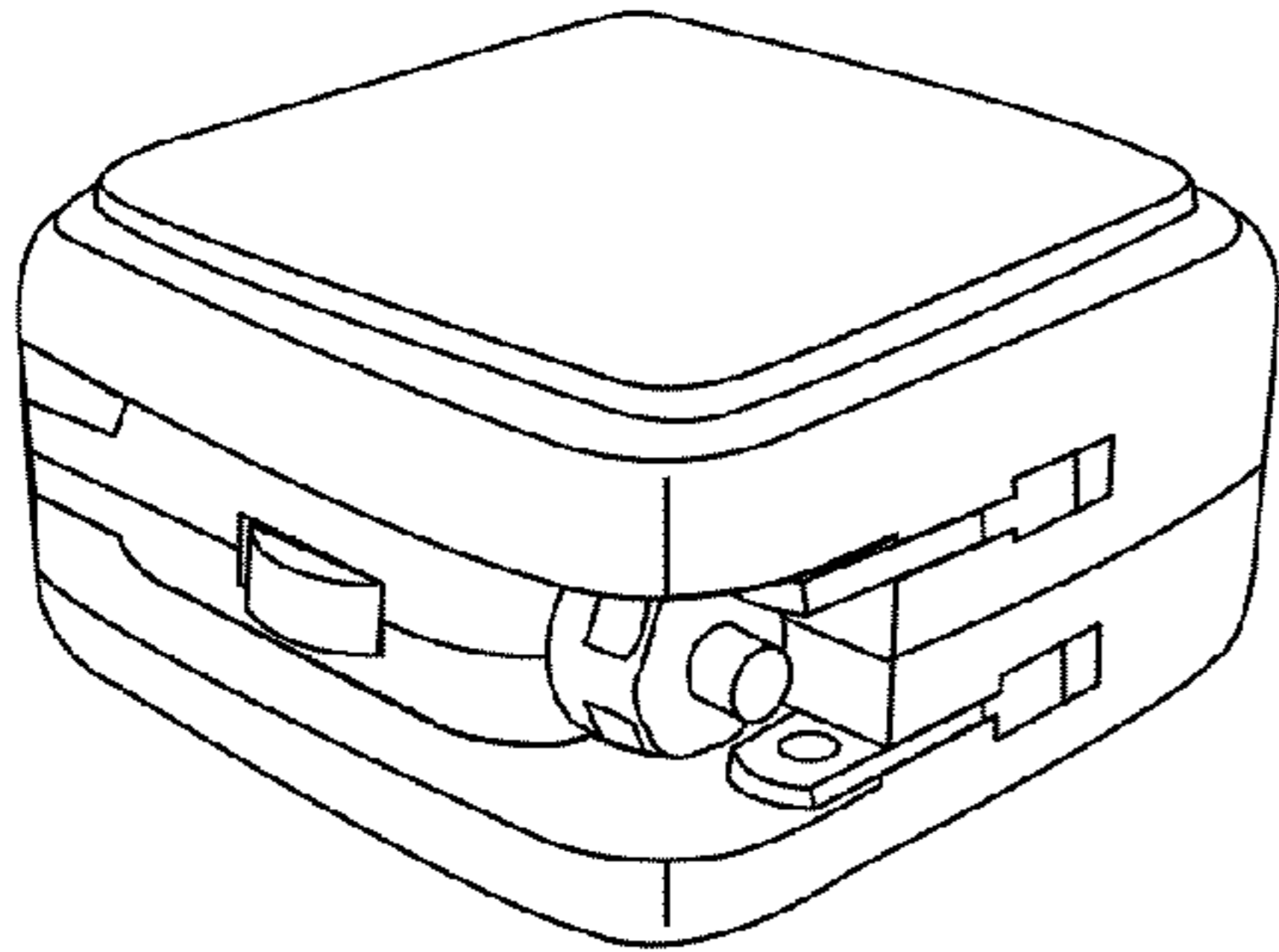


FIG. 1

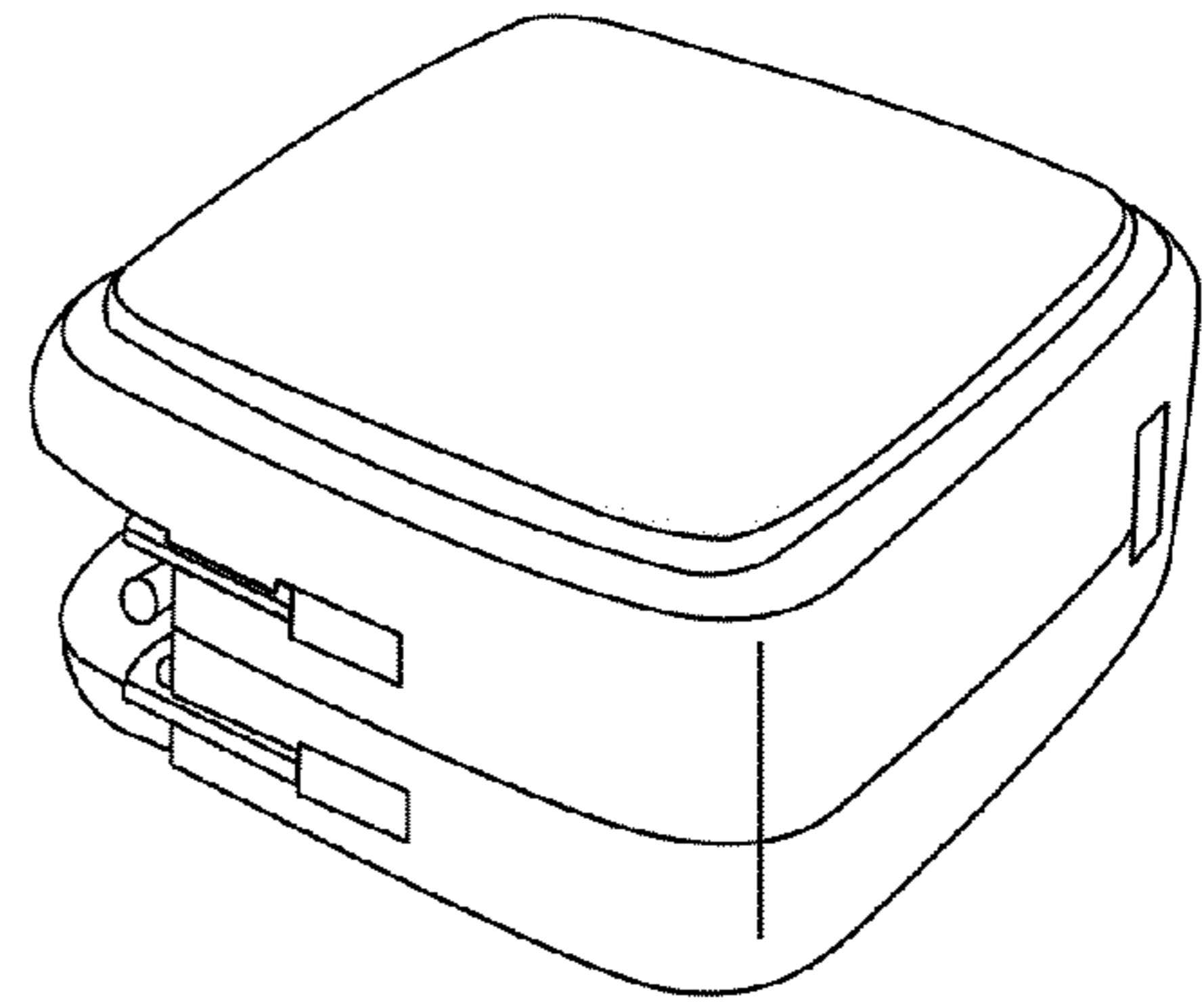


FIG. 2

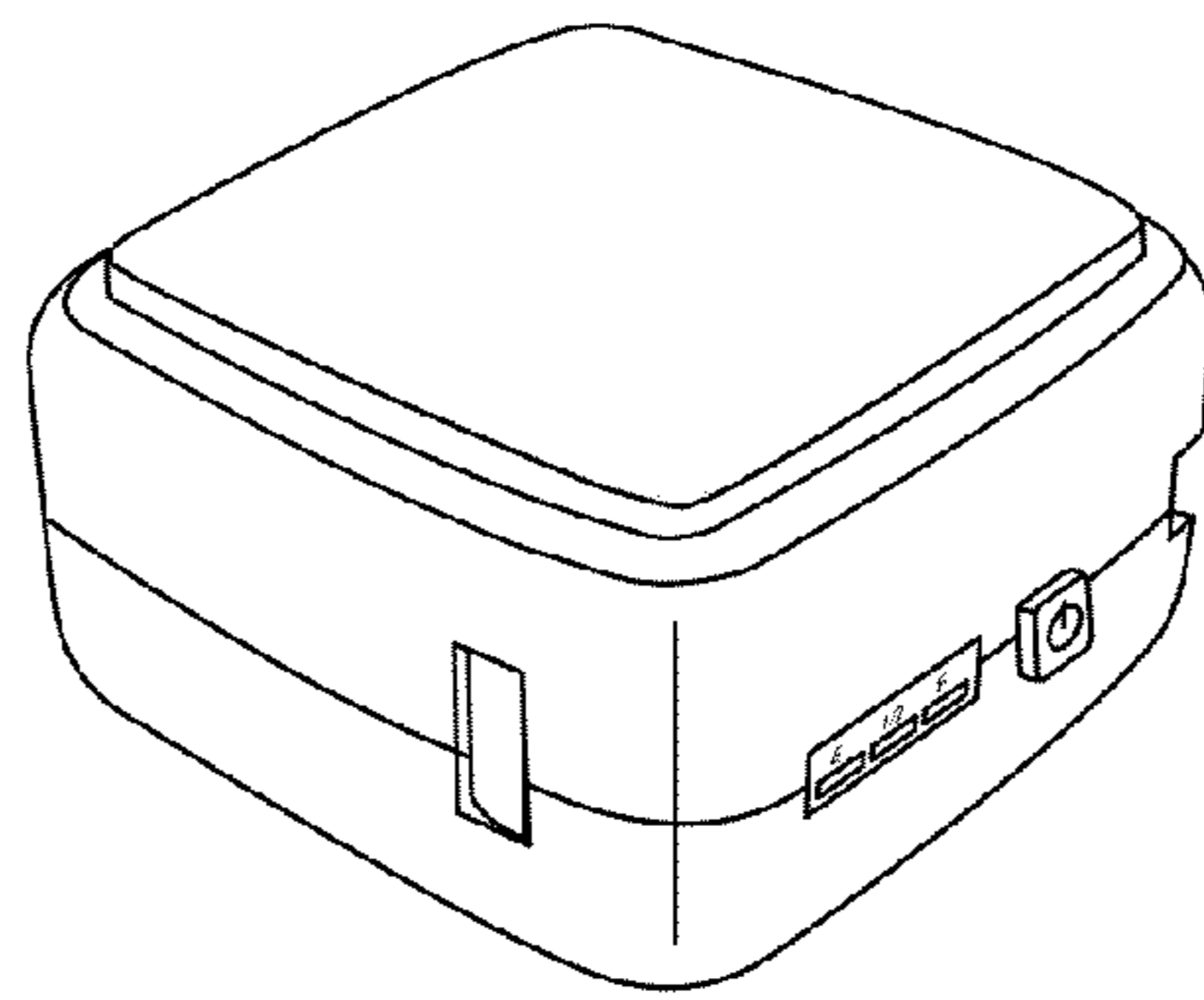


FIG. 3

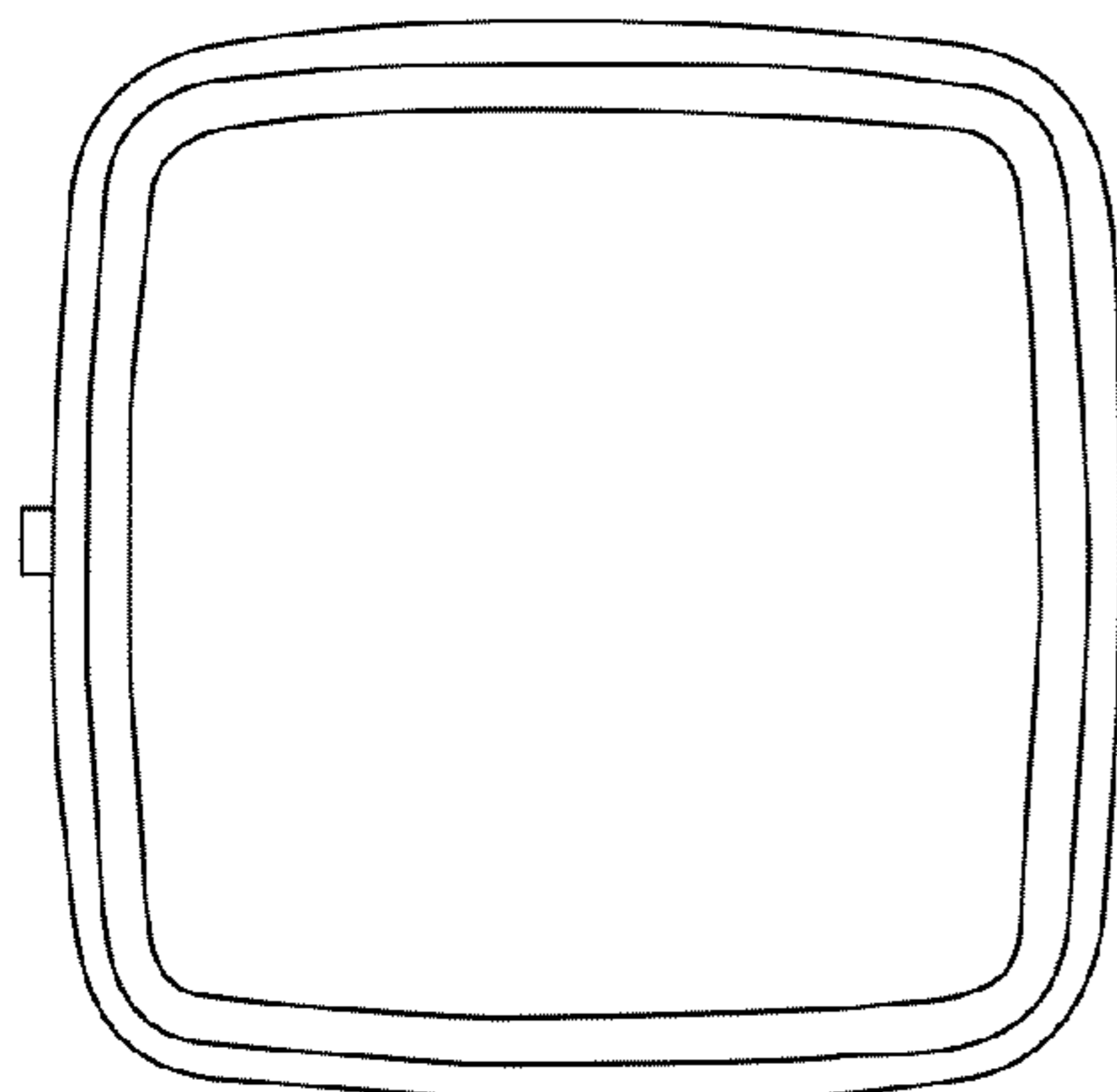


FIG. 4

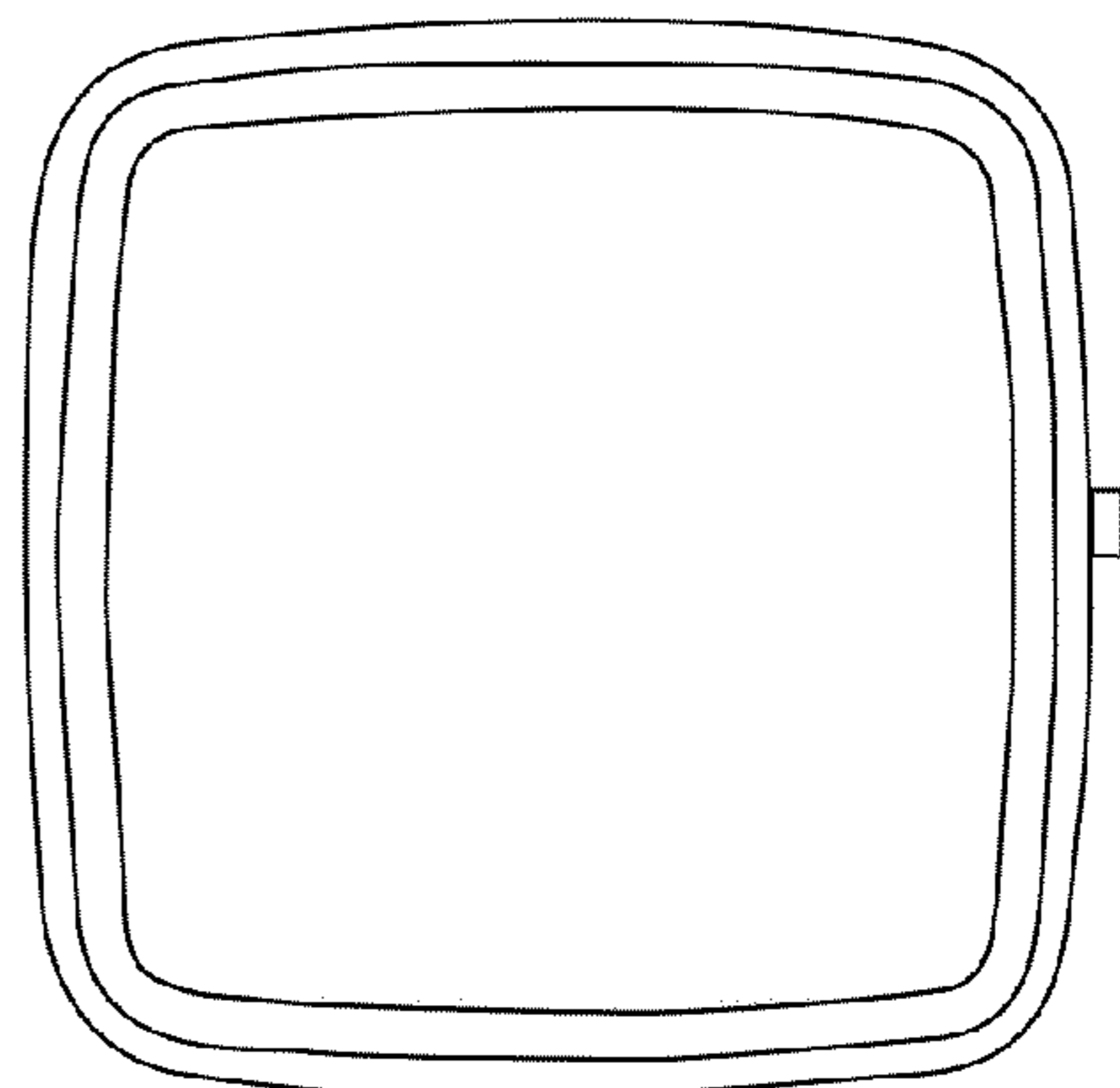


FIG. 5

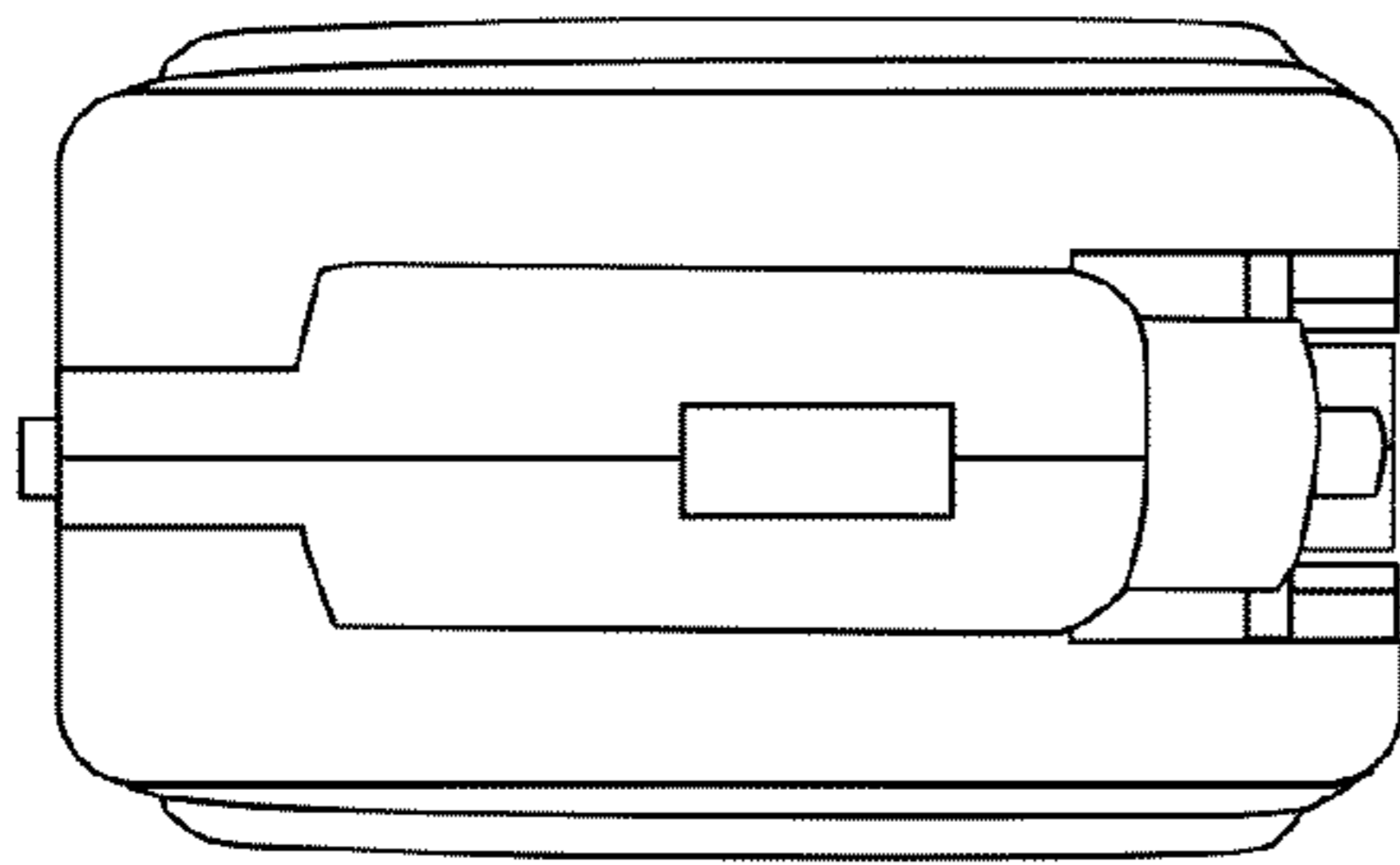


FIG. 6

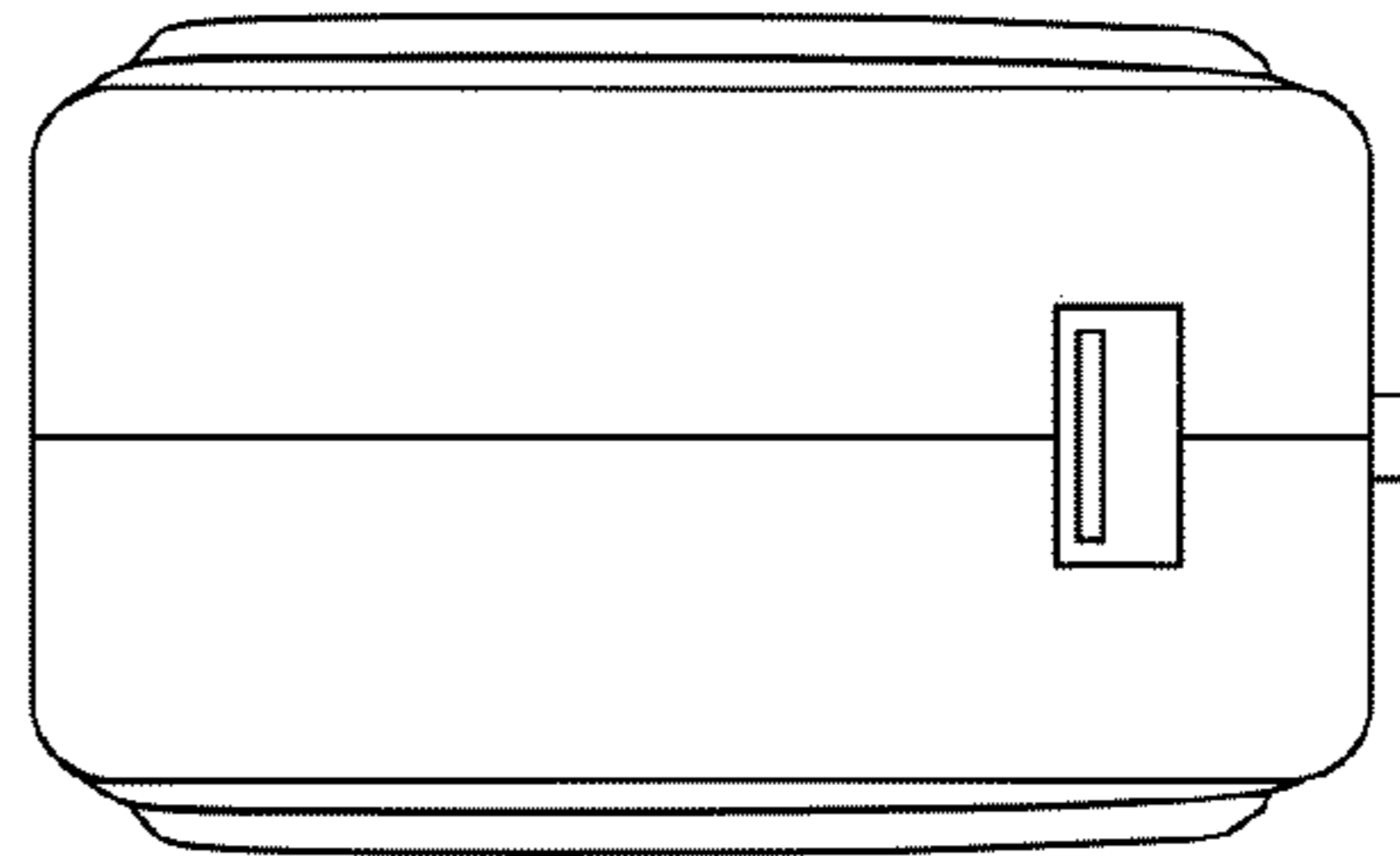


FIG. 7

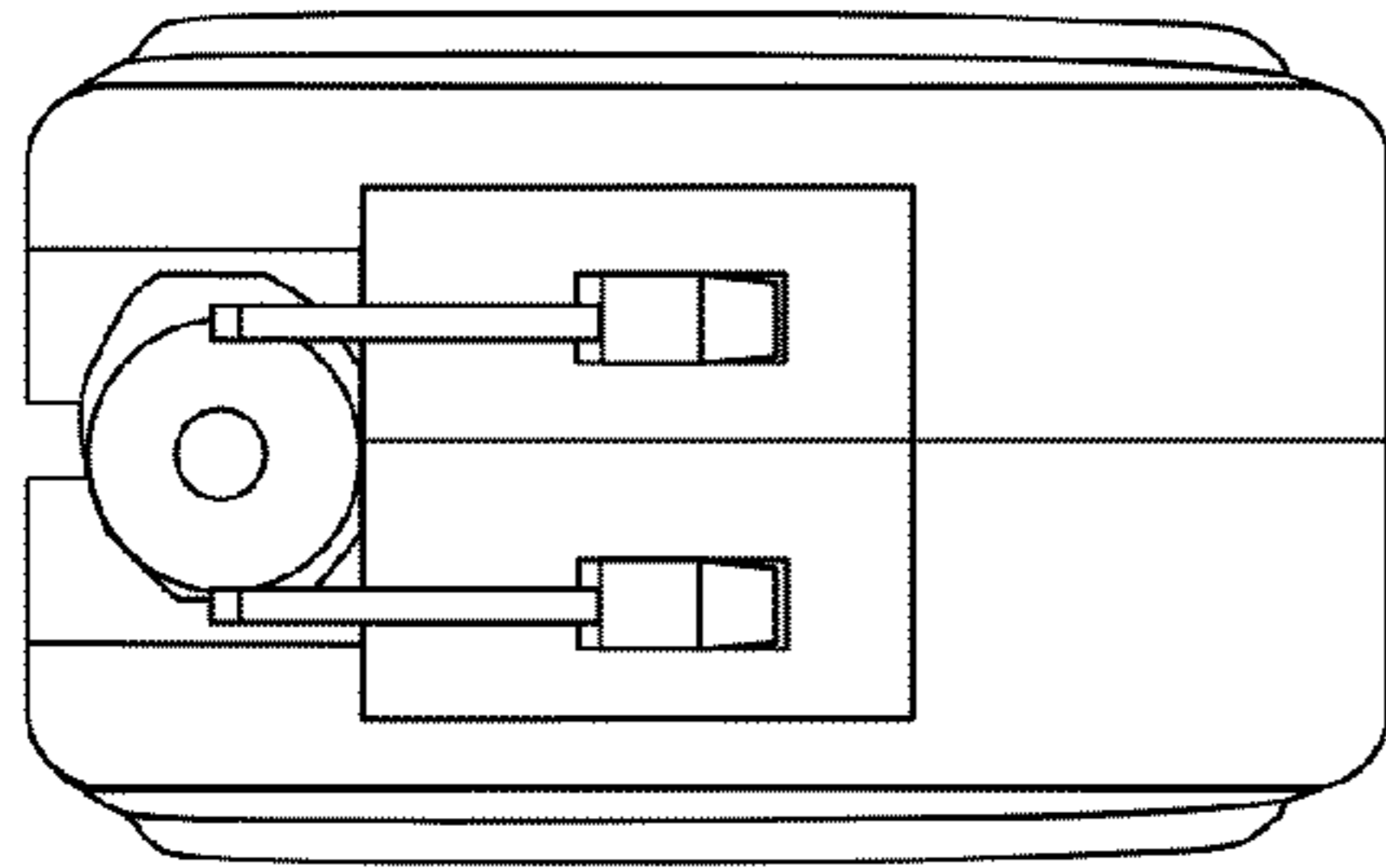


FIG. 8

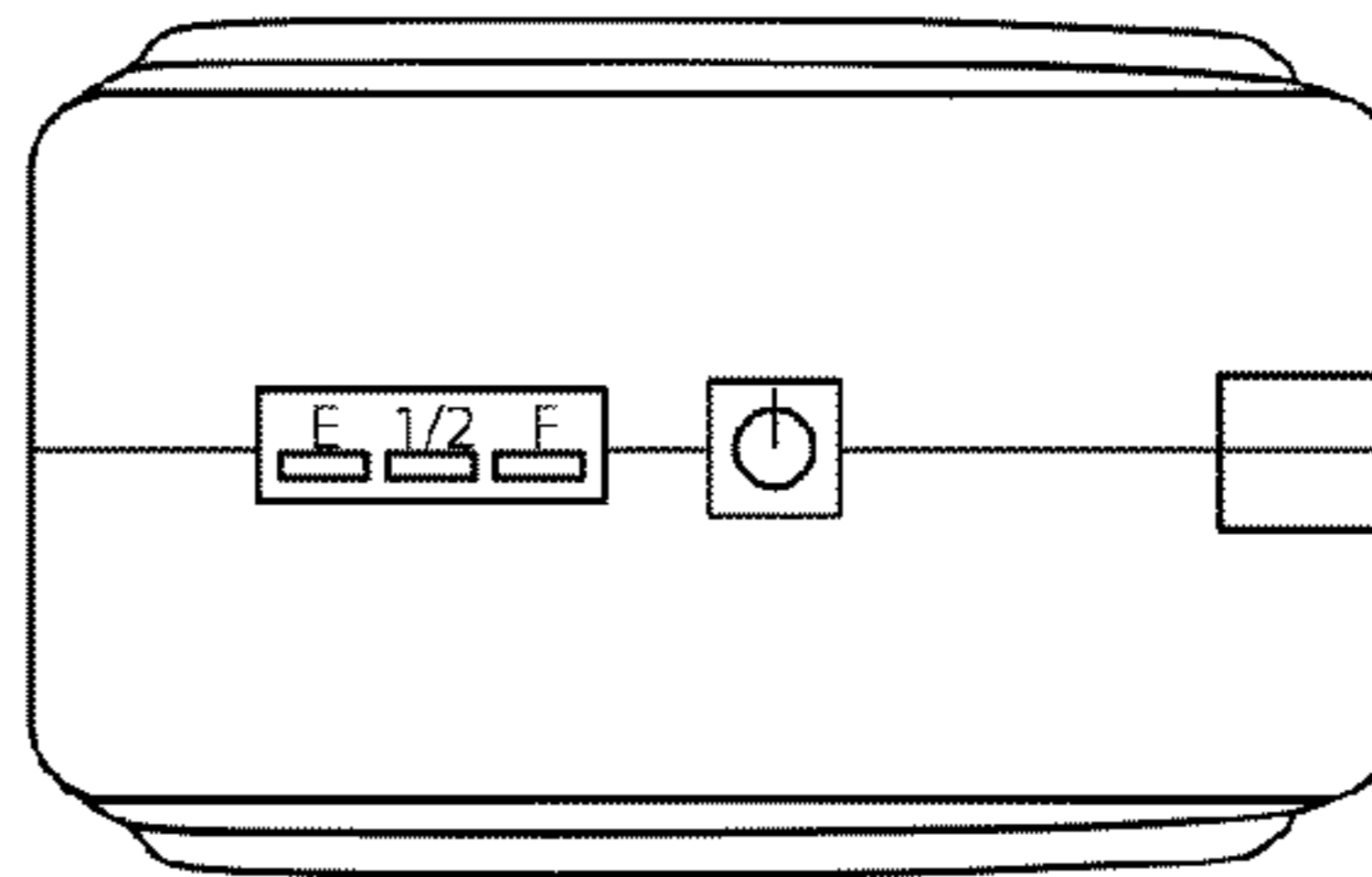


FIG. 9

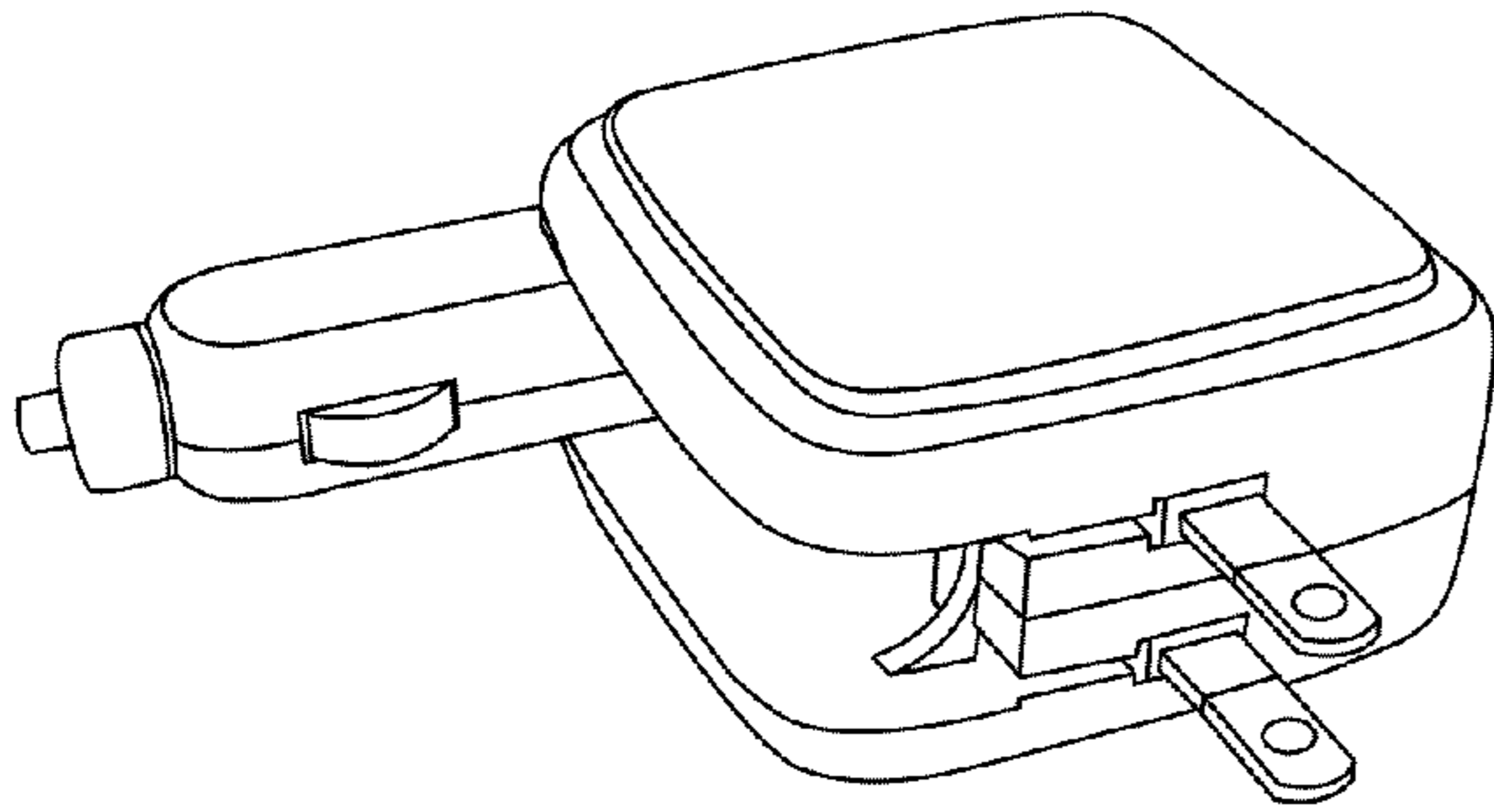


FIG. 10

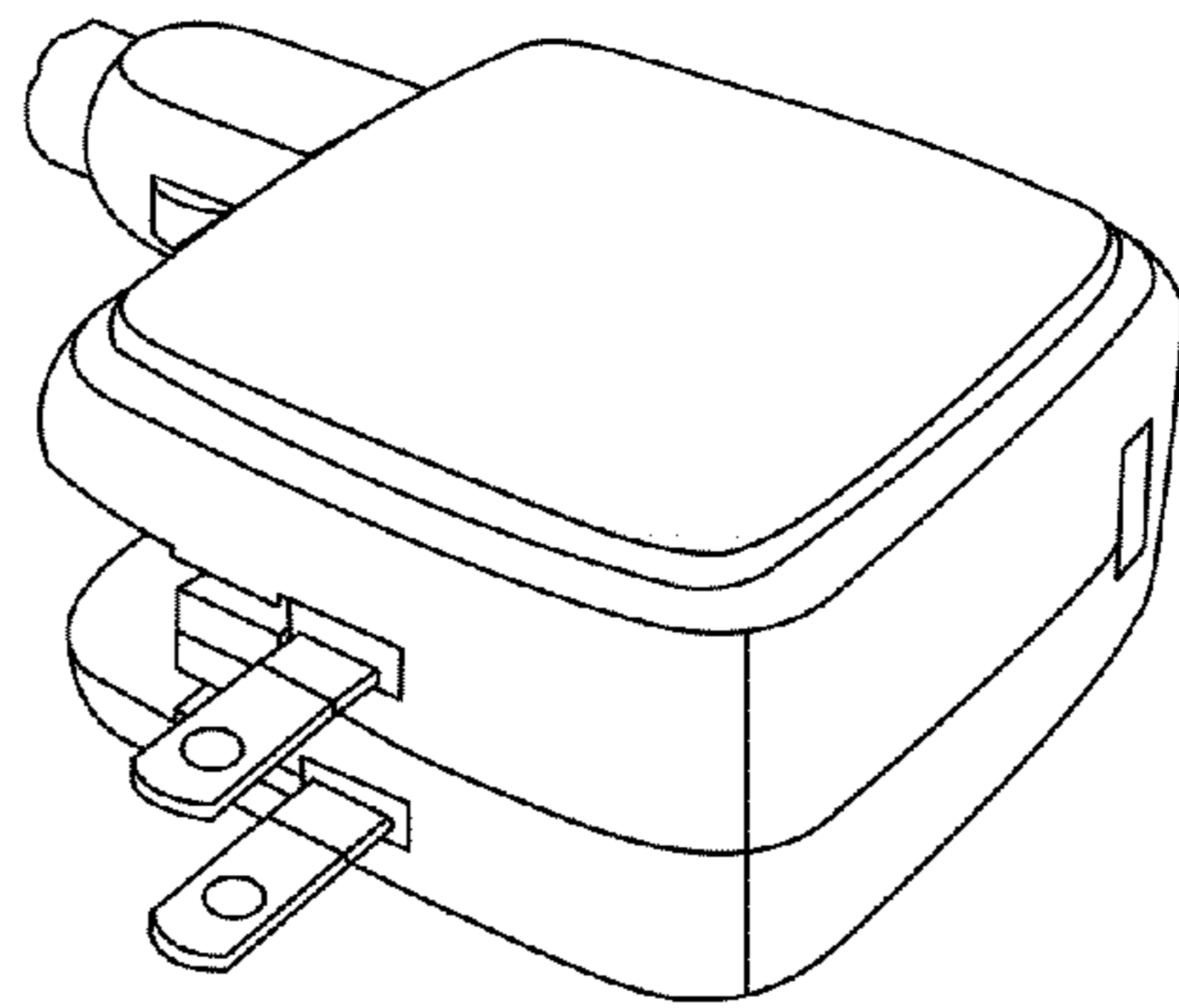


FIG. 11

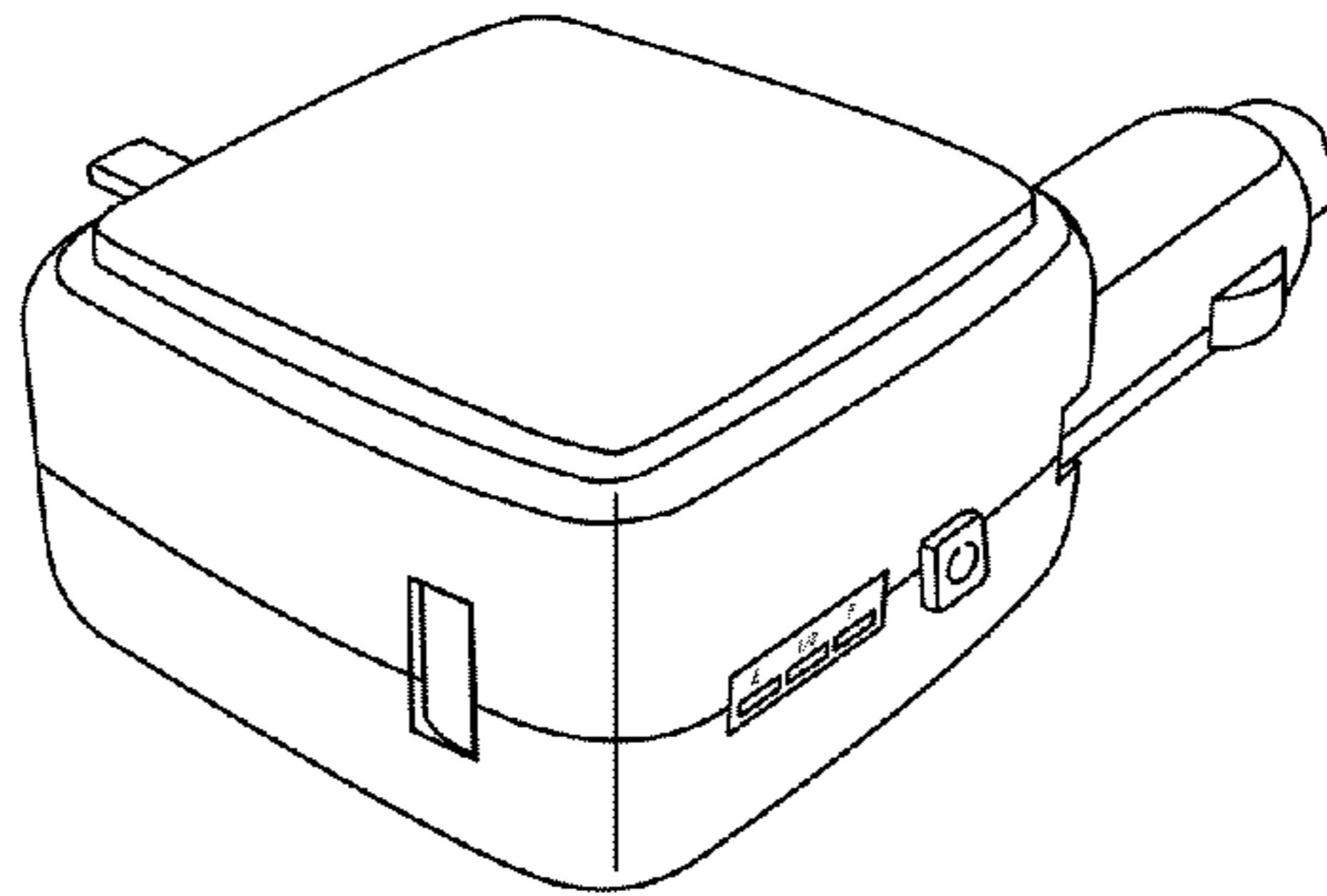


FIG. 12

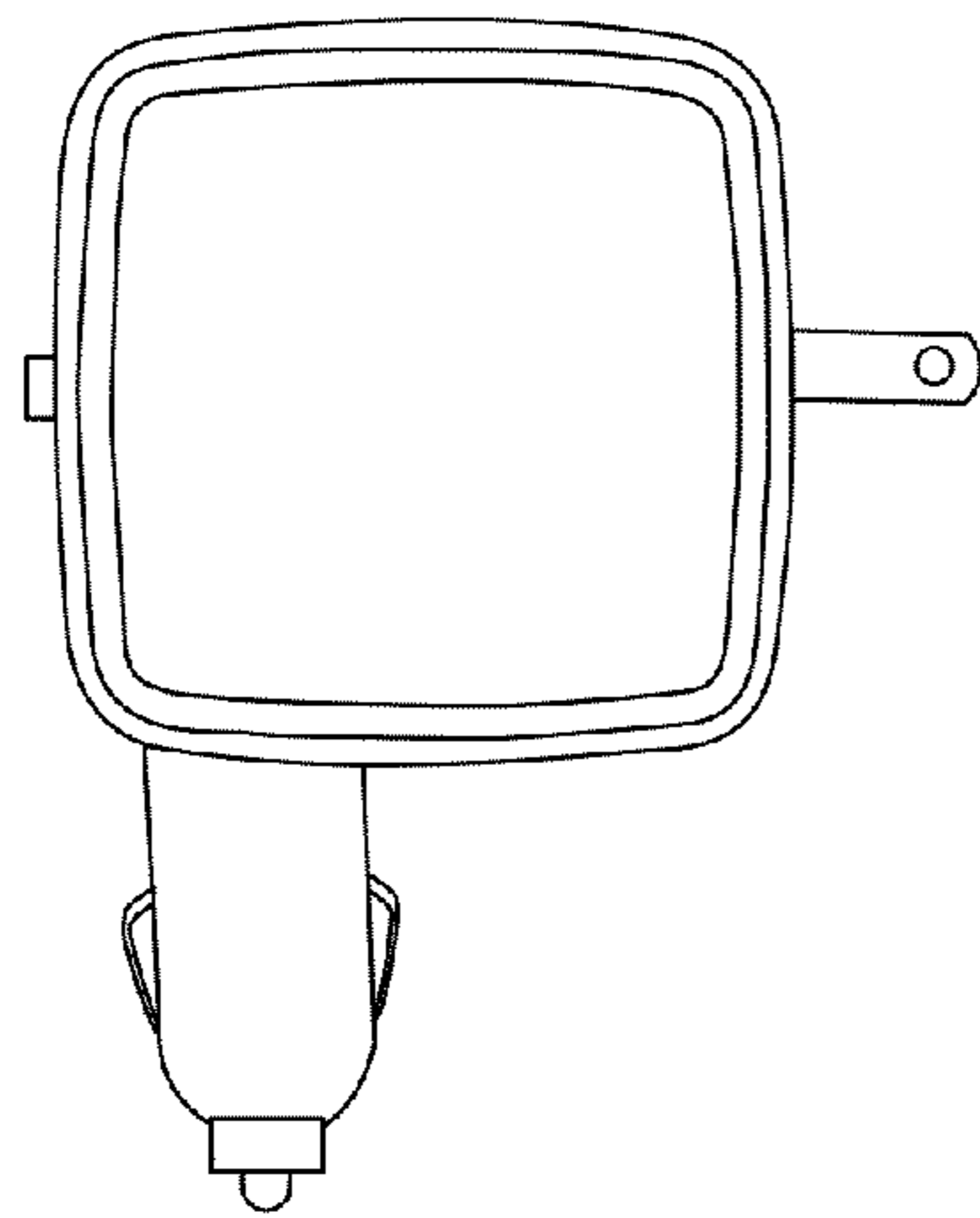


FIG. 13

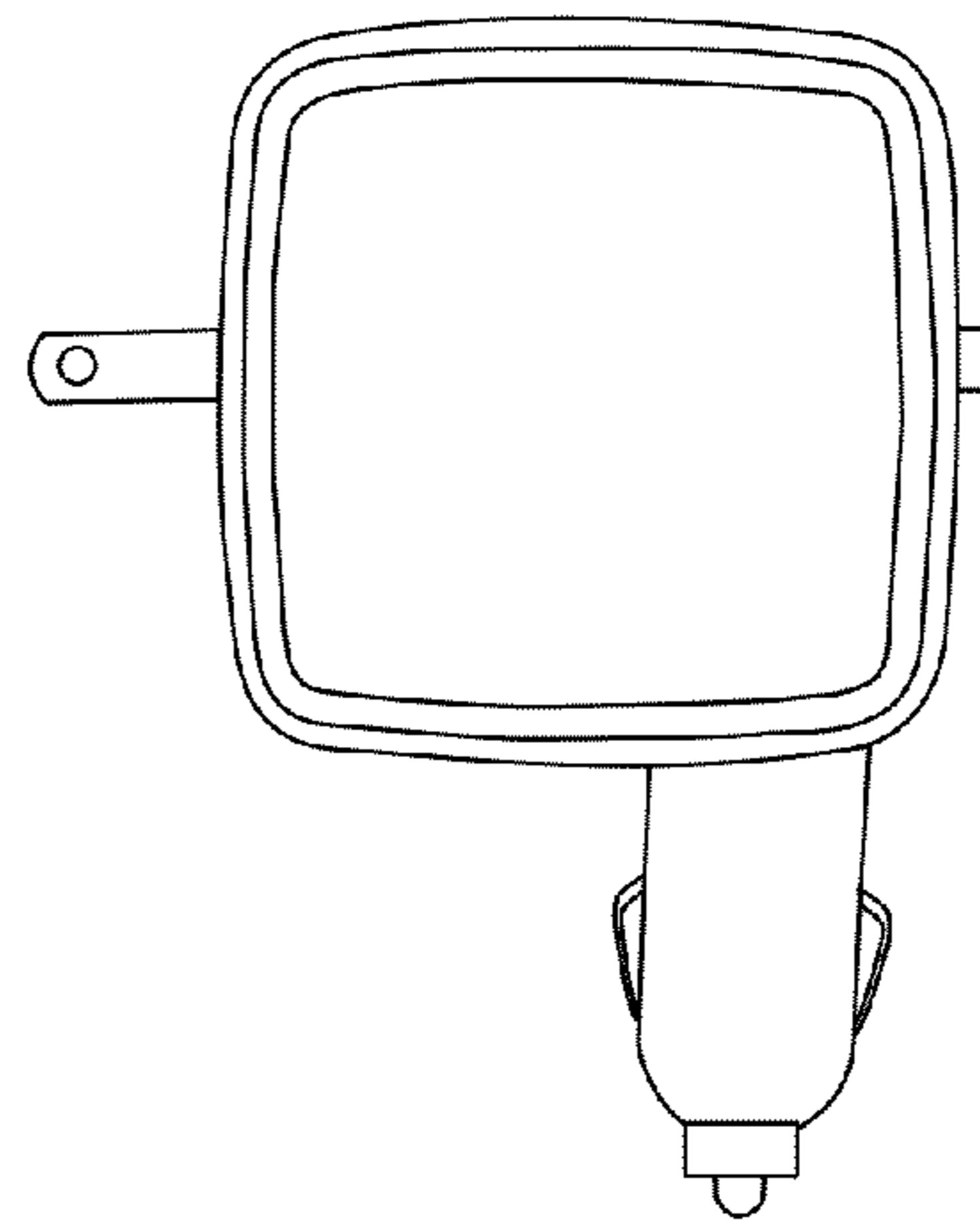


FIG. 14

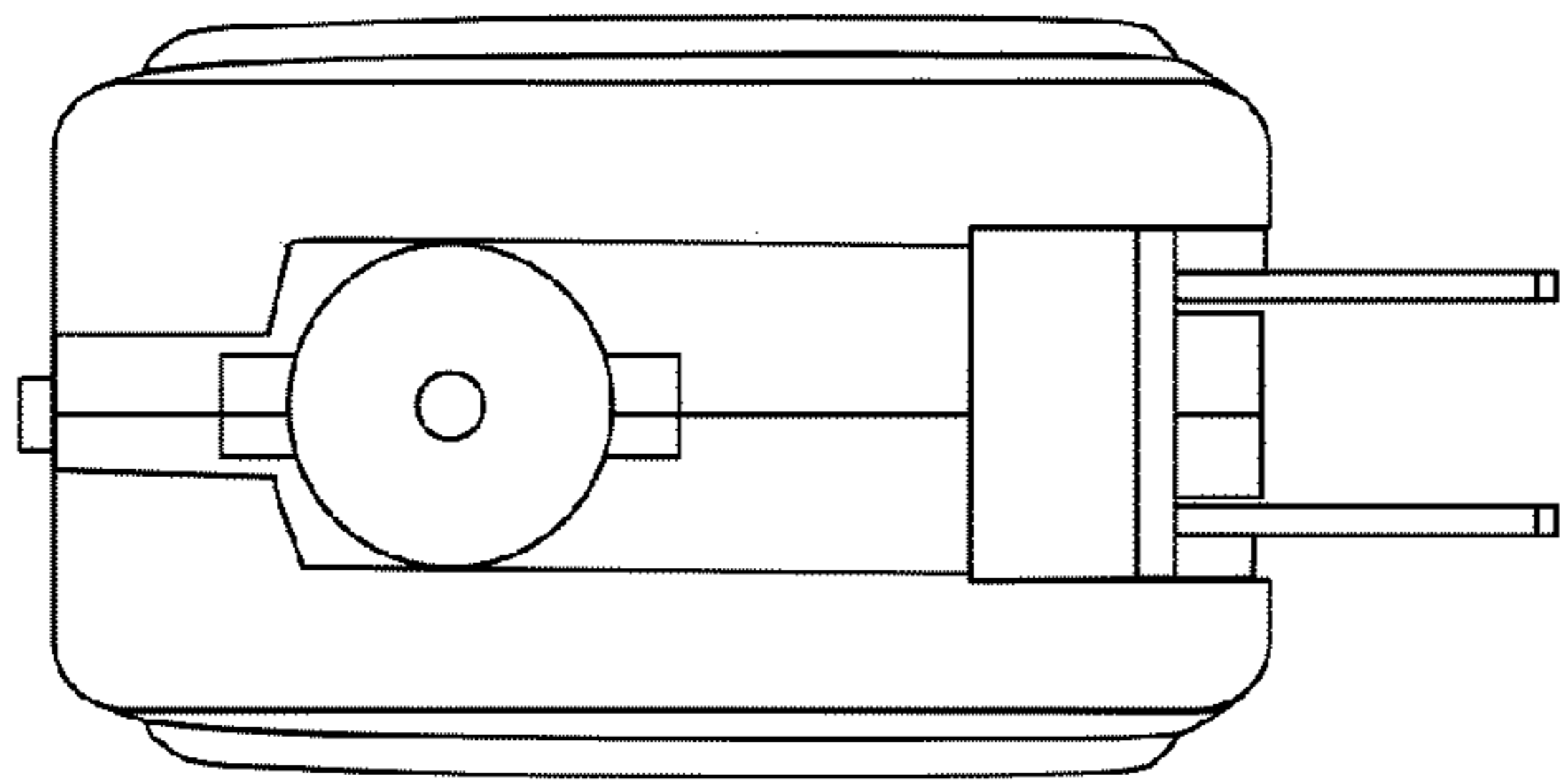


FIG. 15

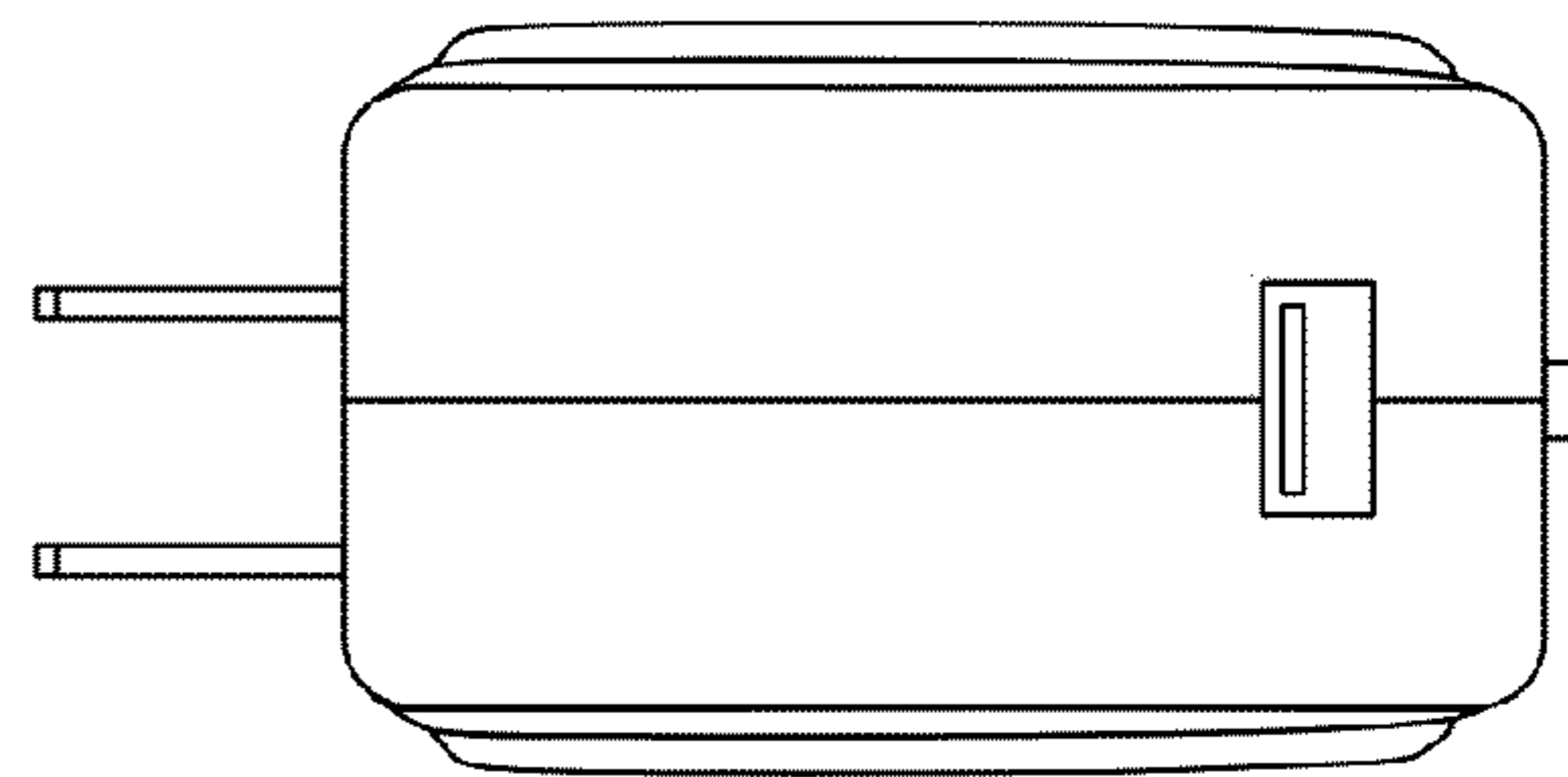


FIG. 16

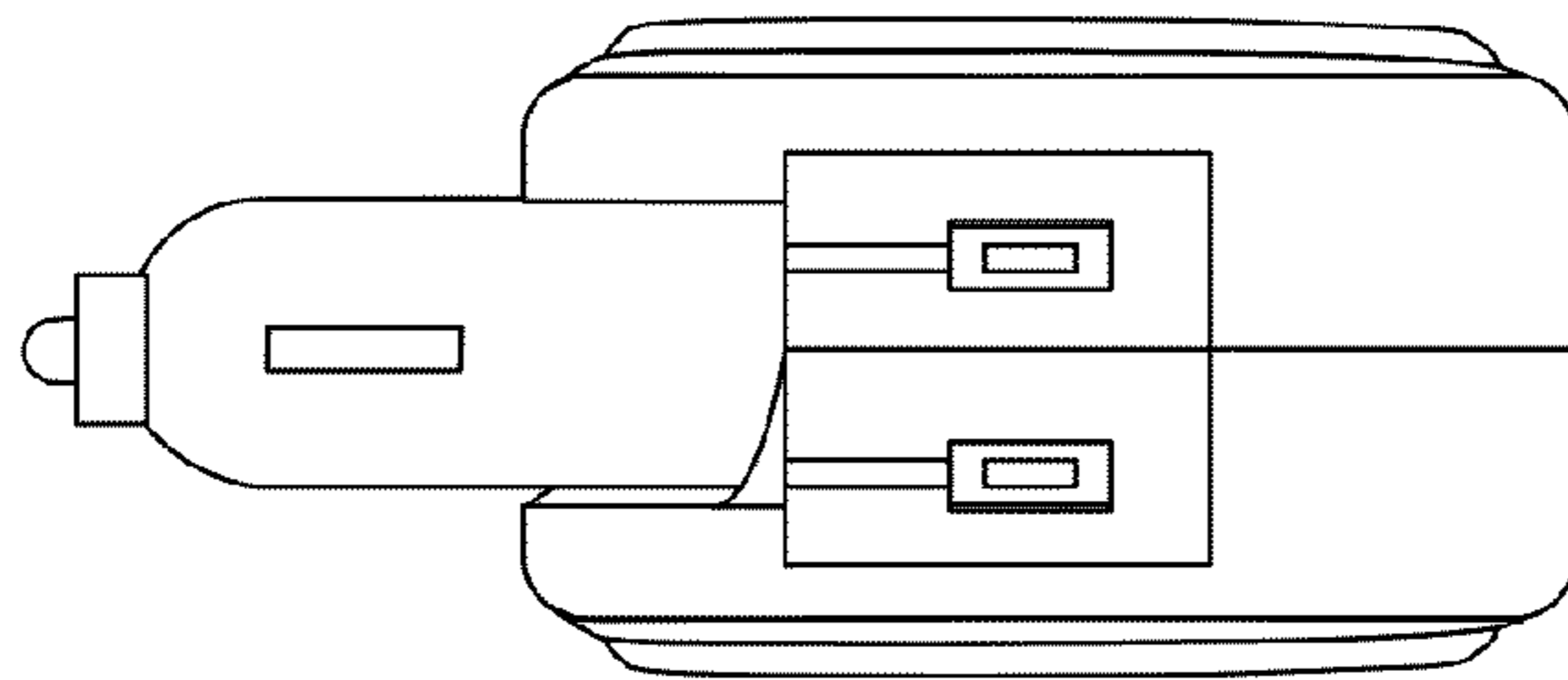


FIG. 17

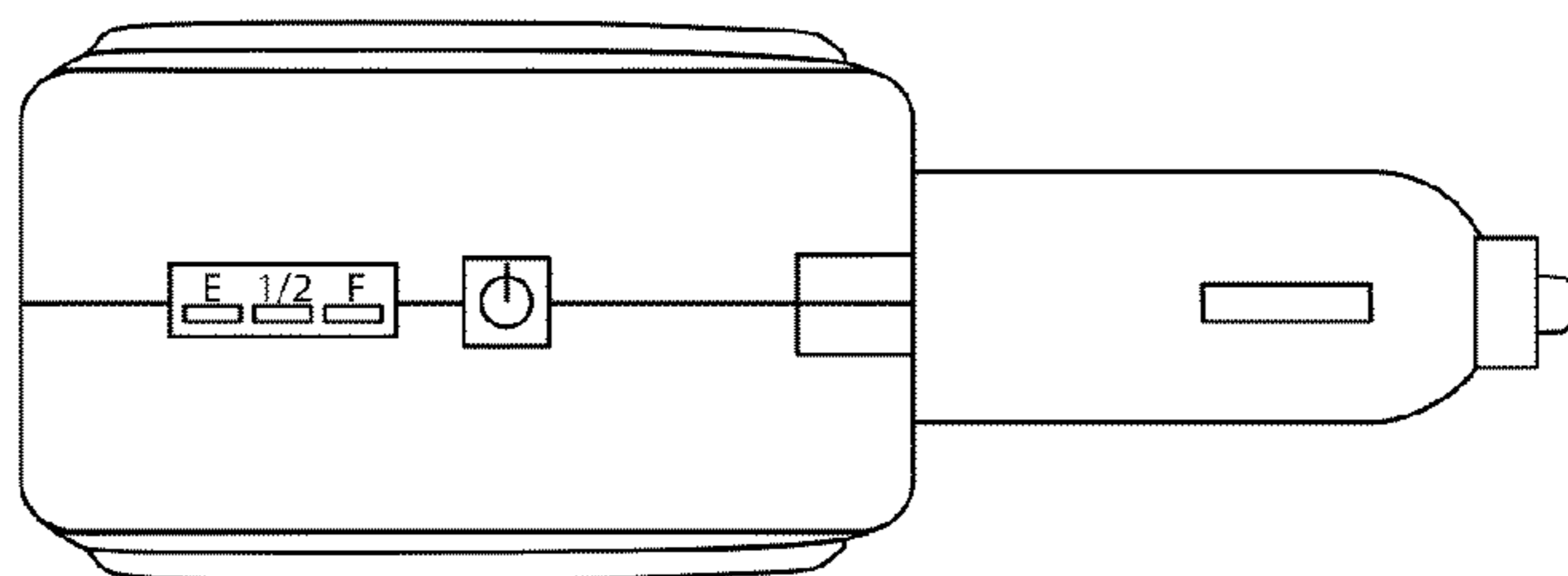


FIG. 18

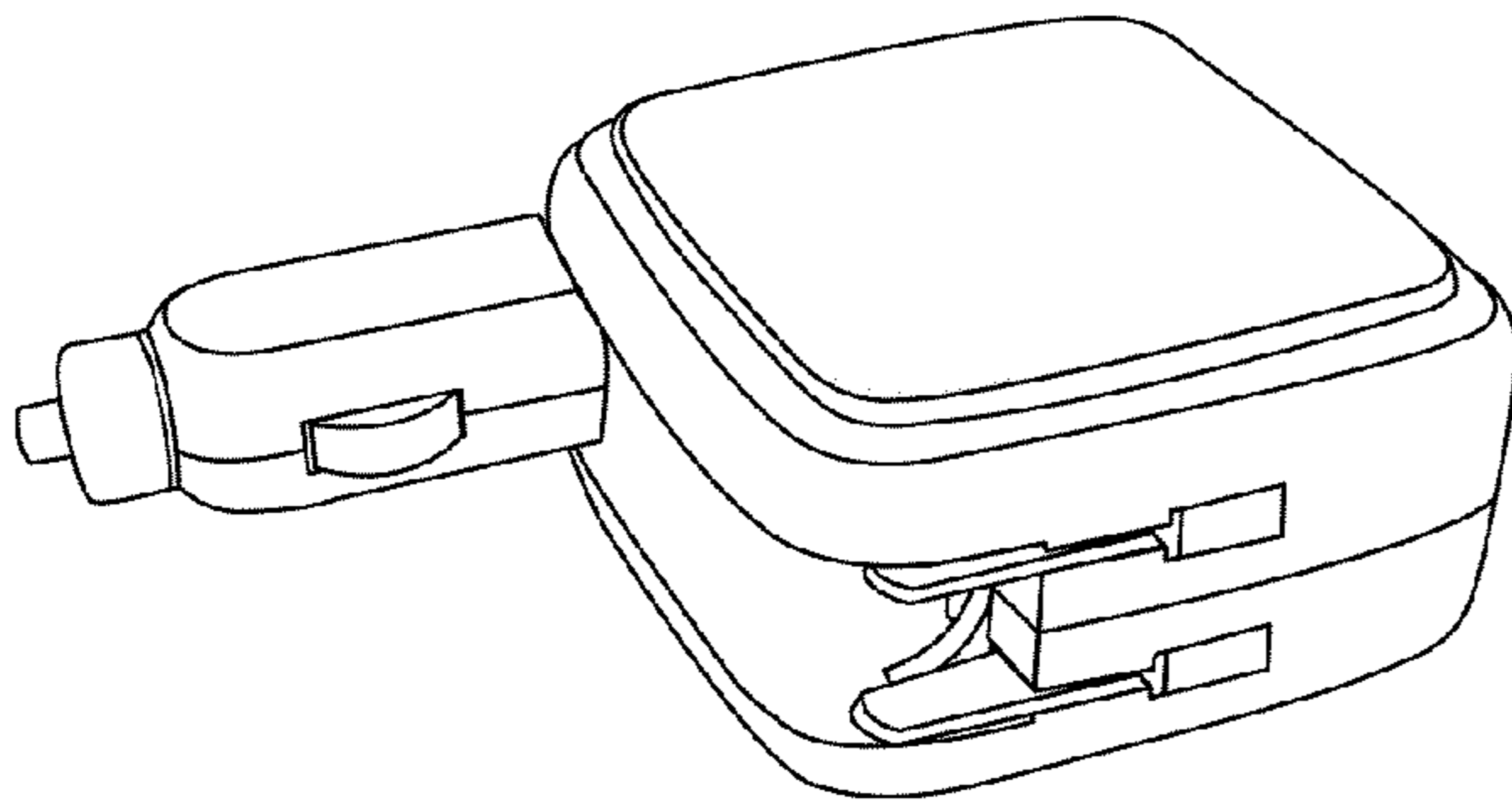


FIG. 19

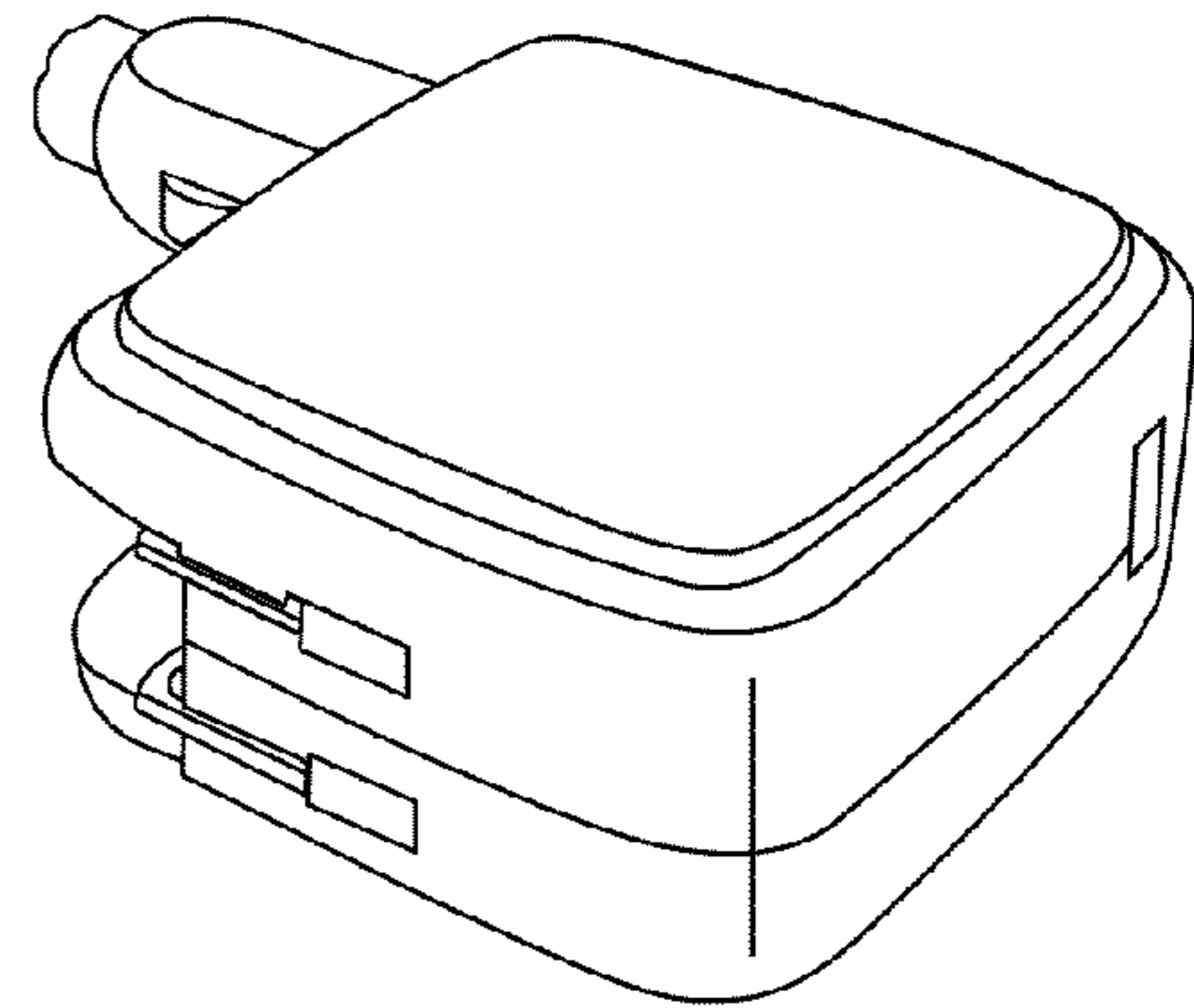


FIG. 20

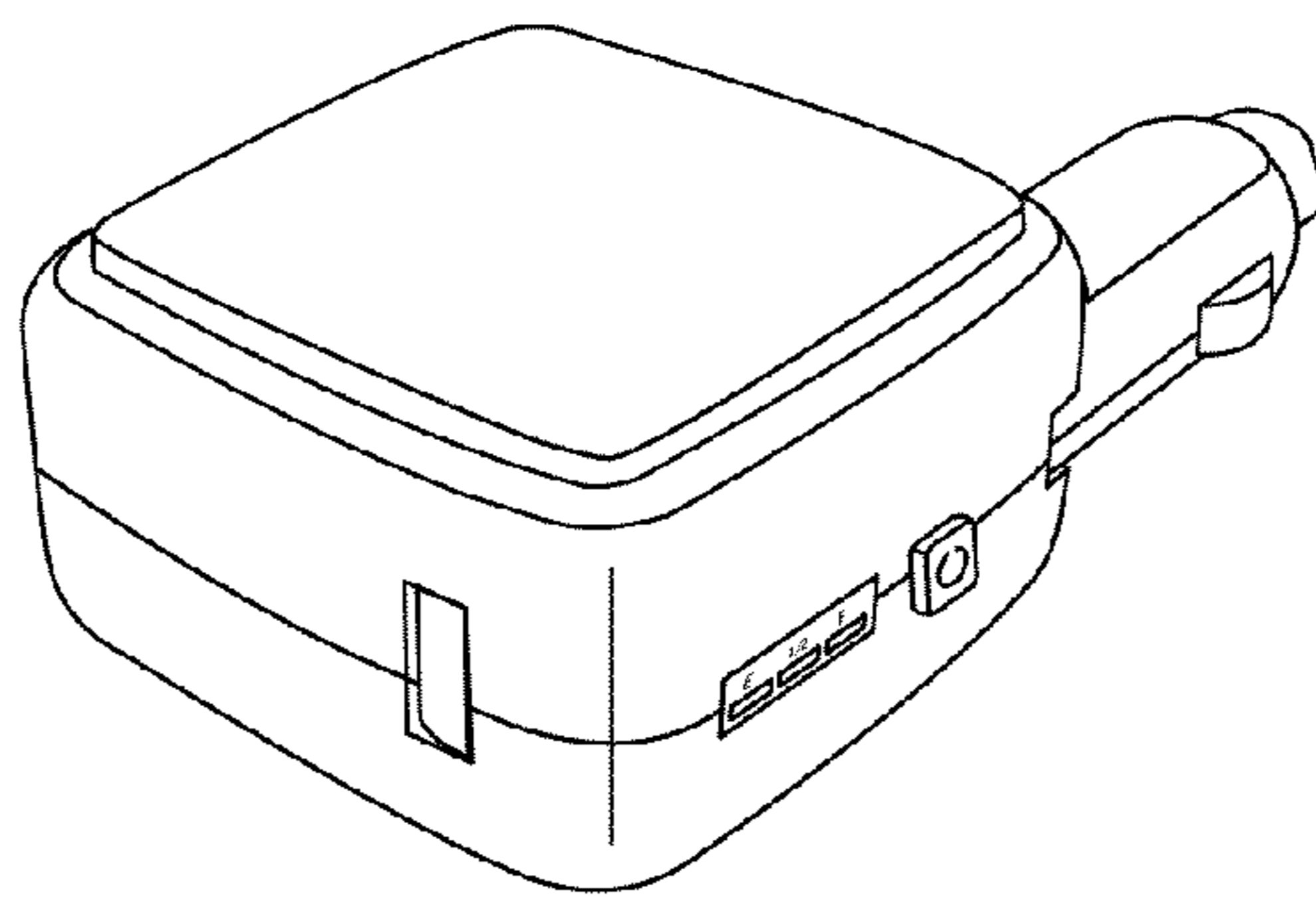


FIG. 21

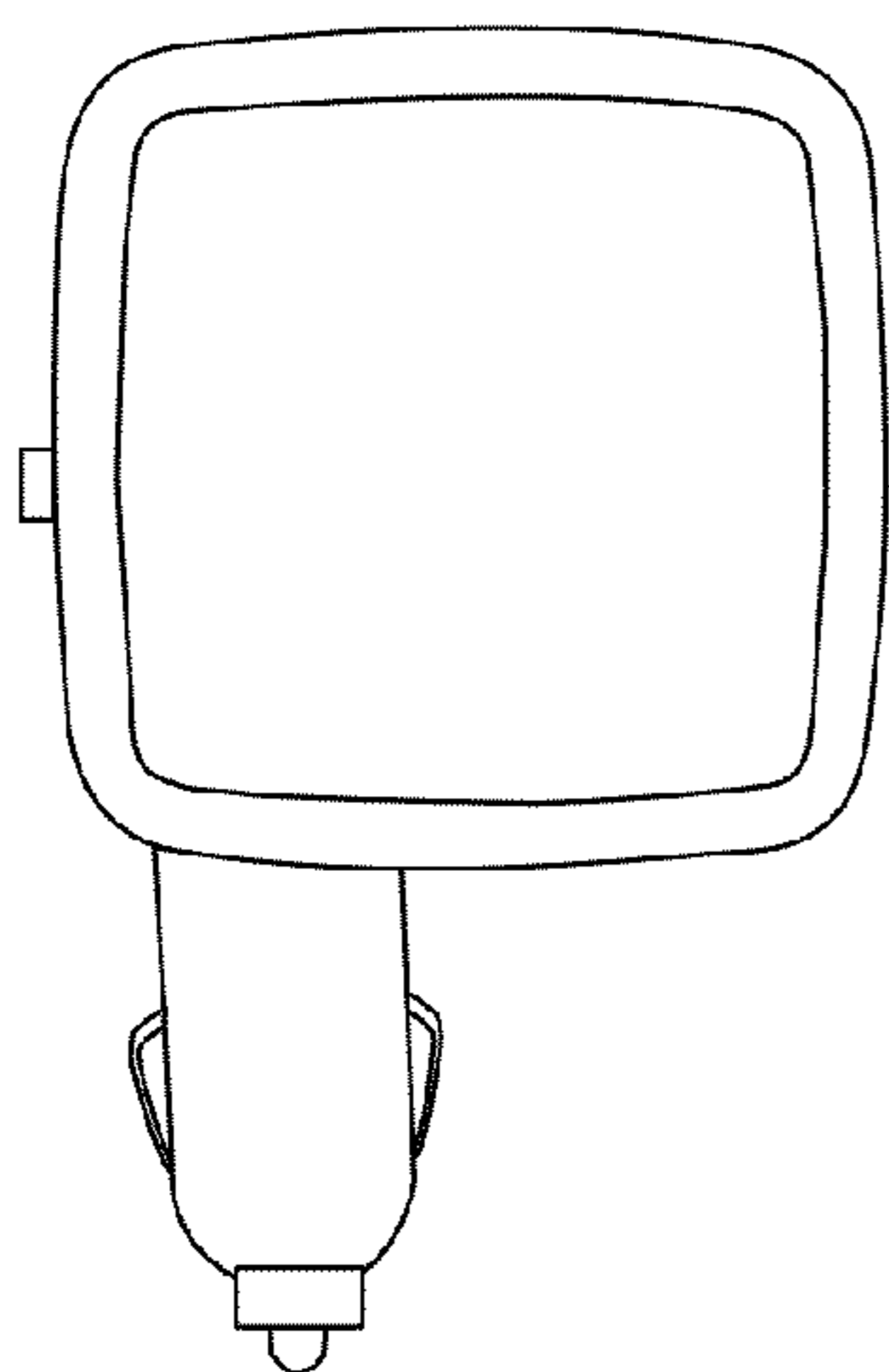


FIG. 22

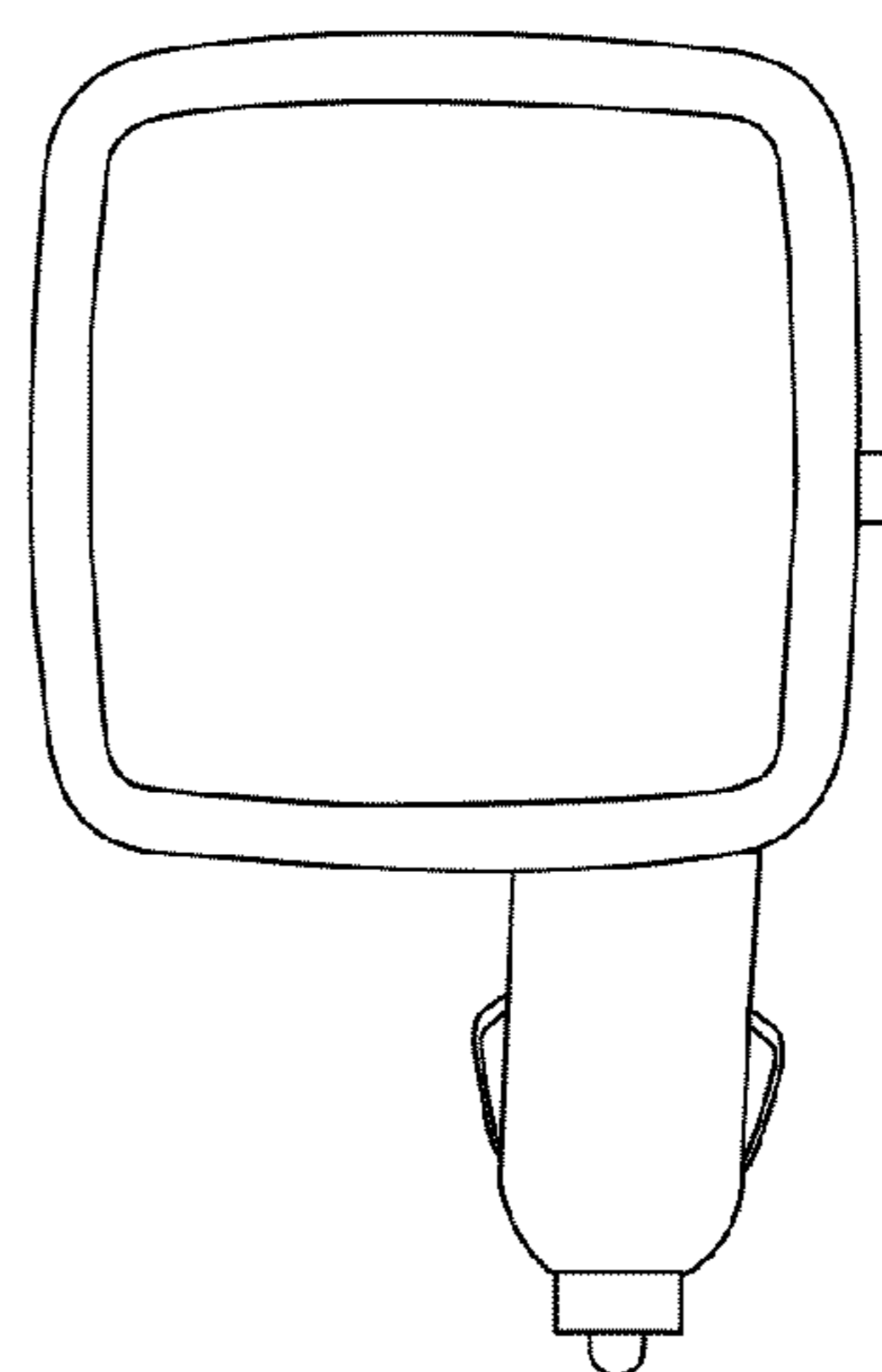


FIG. 23

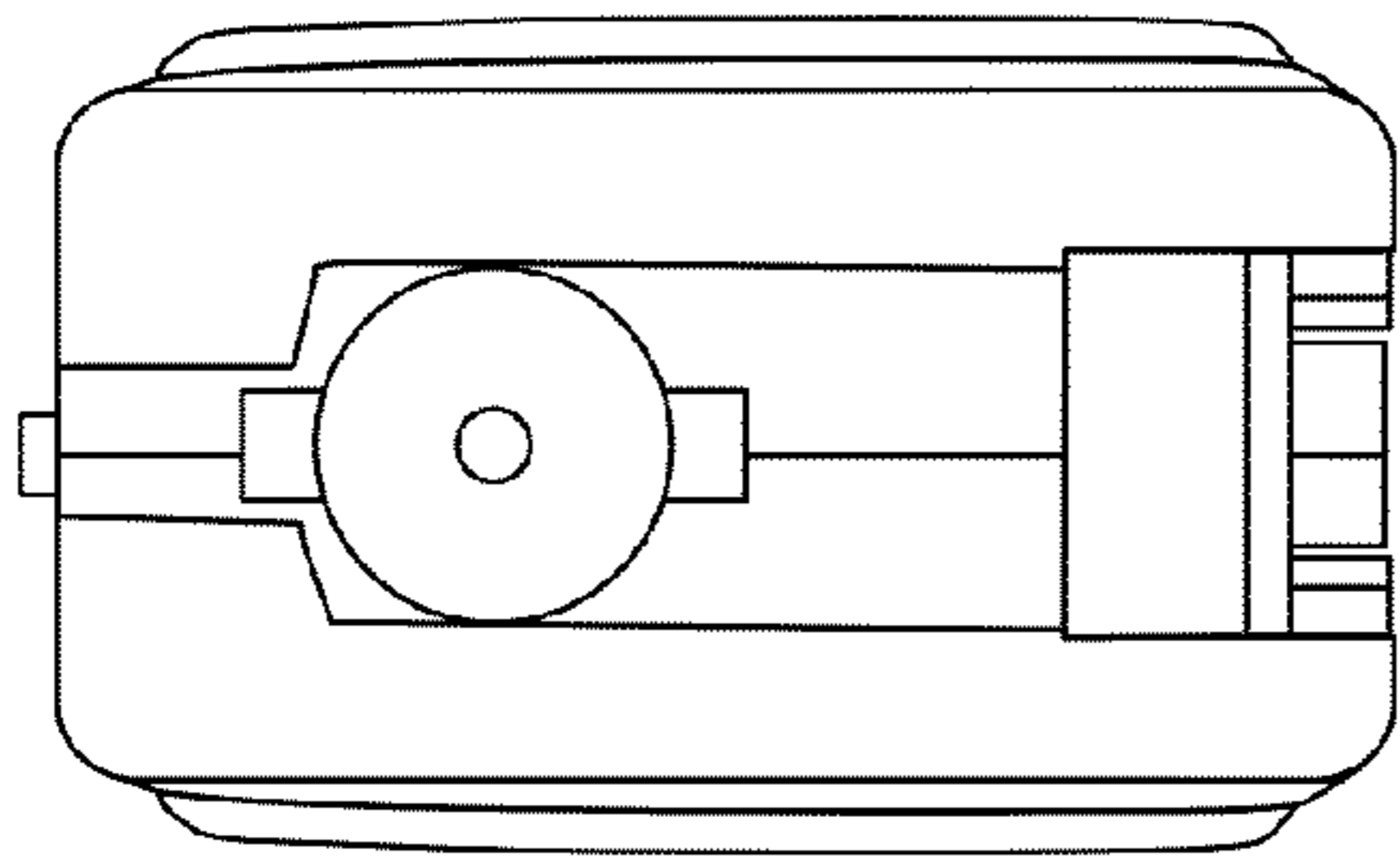


FIG. 24

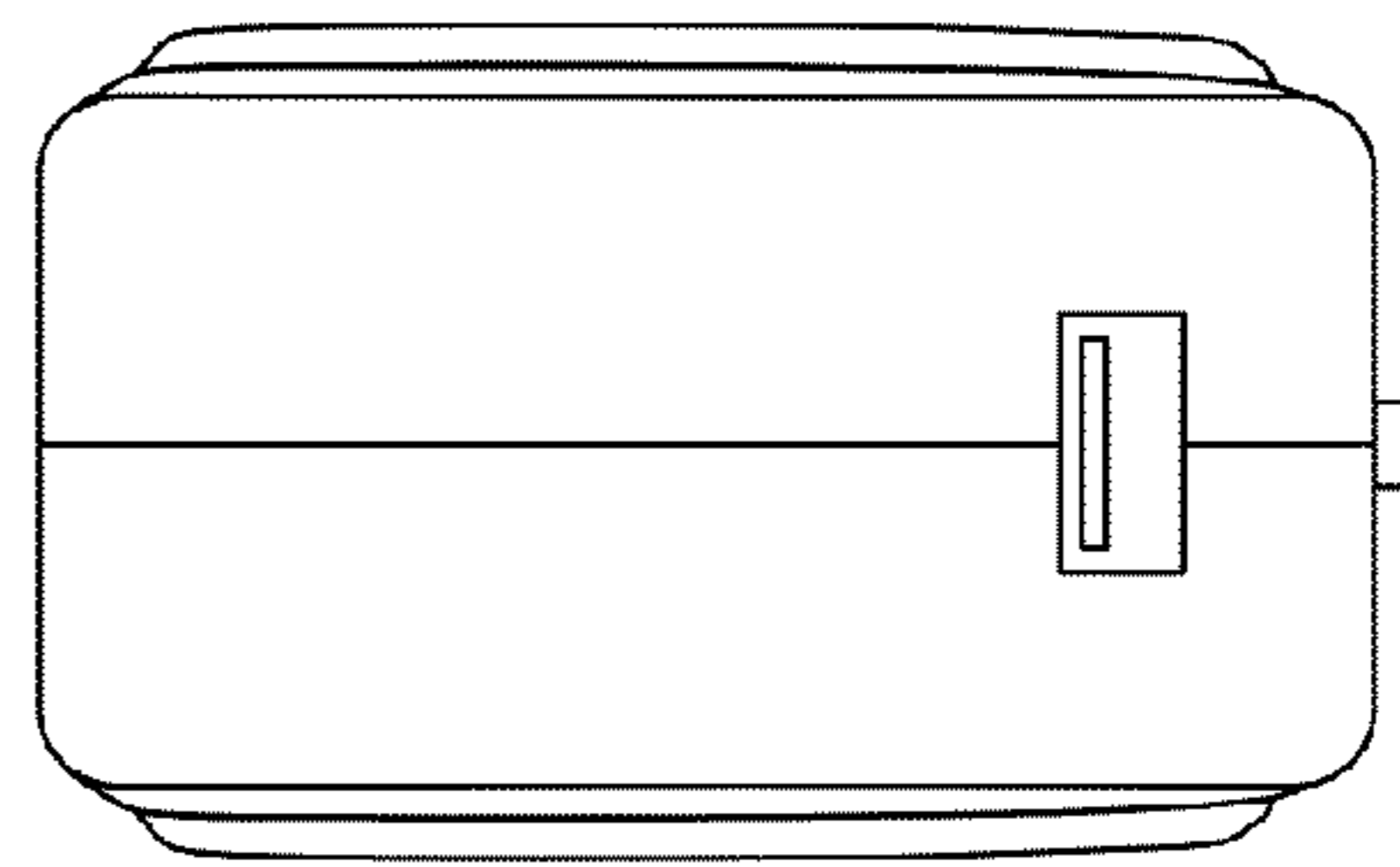


FIG. 25

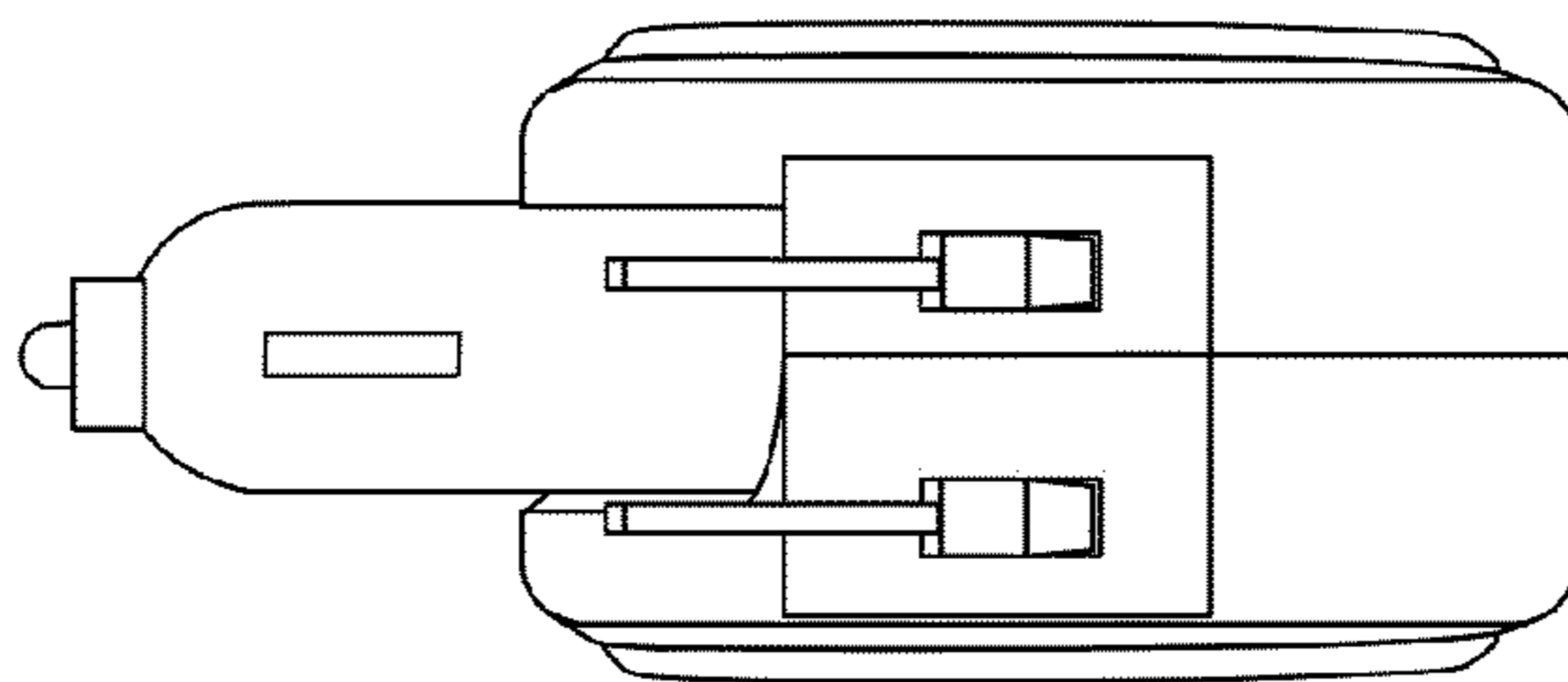


FIG. 26

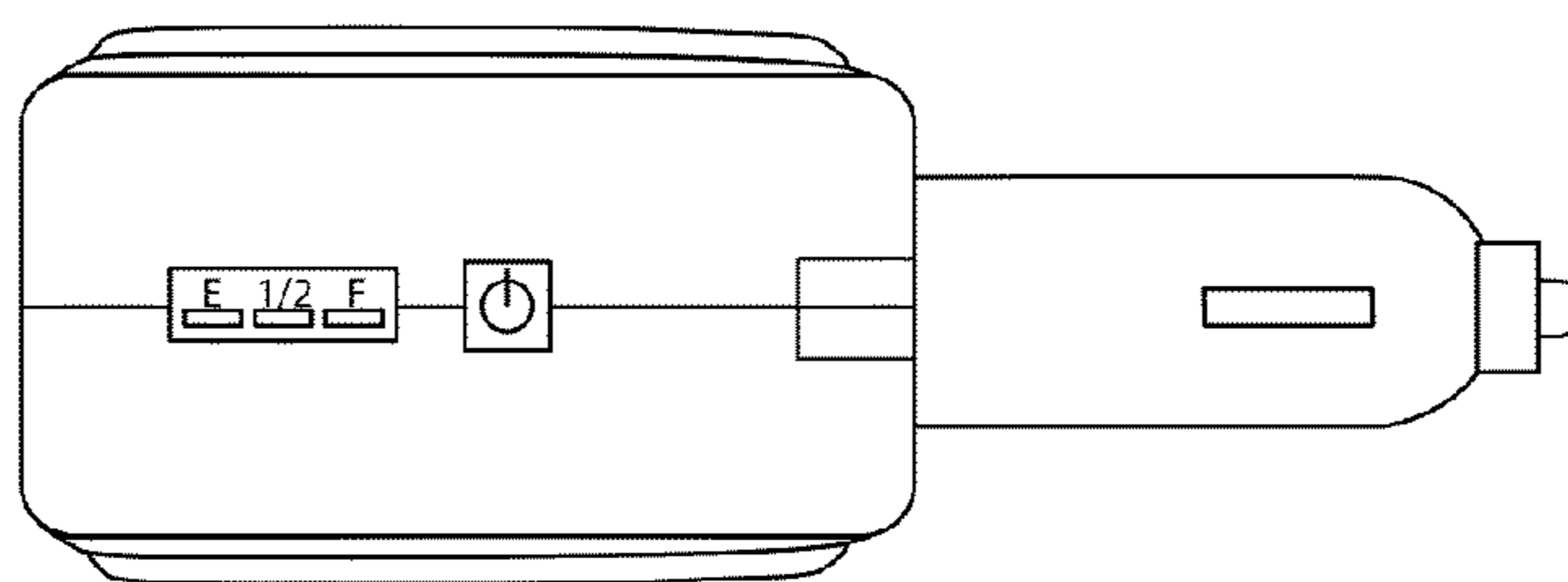


FIG. 27



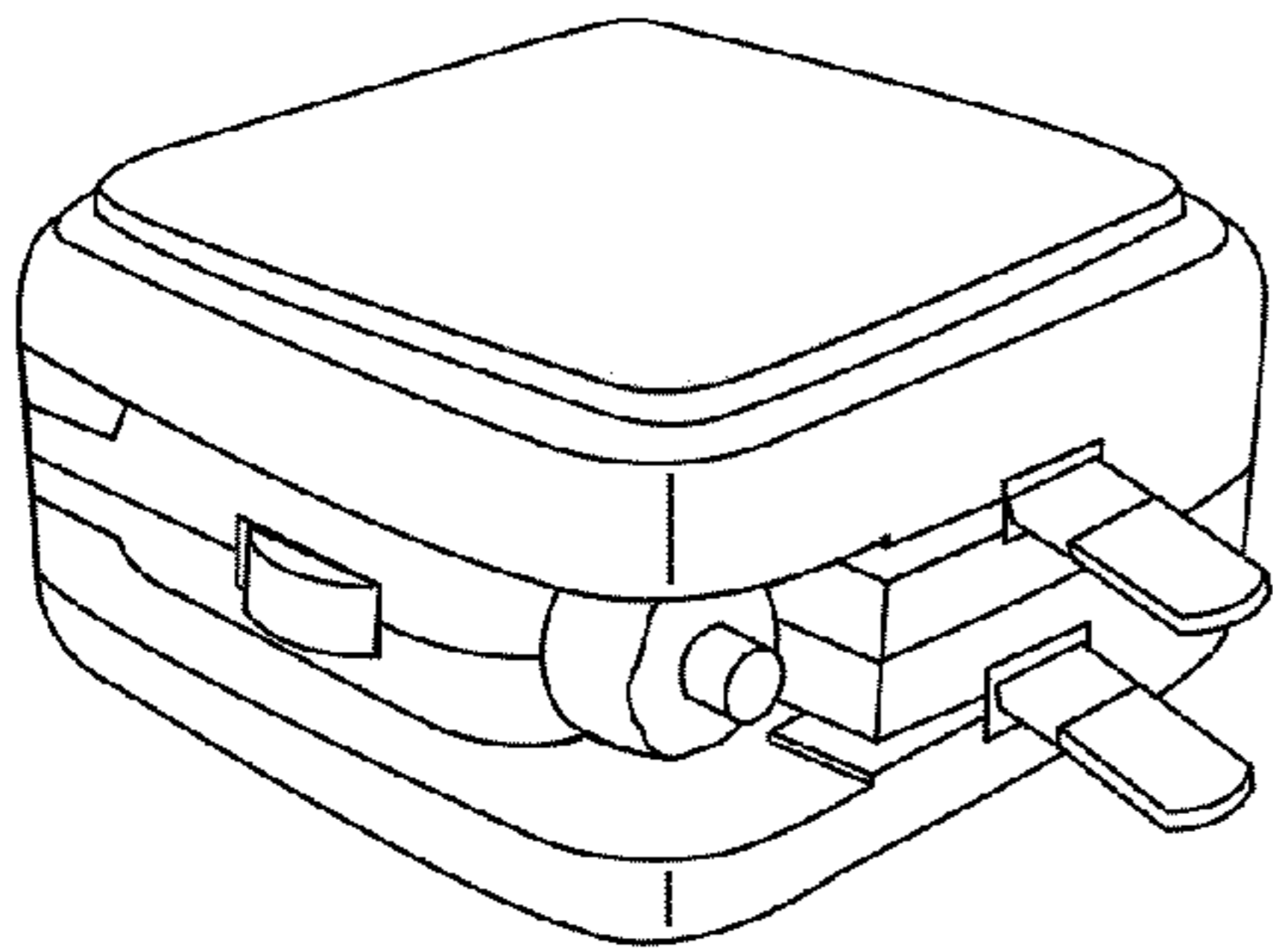


FIG. 28

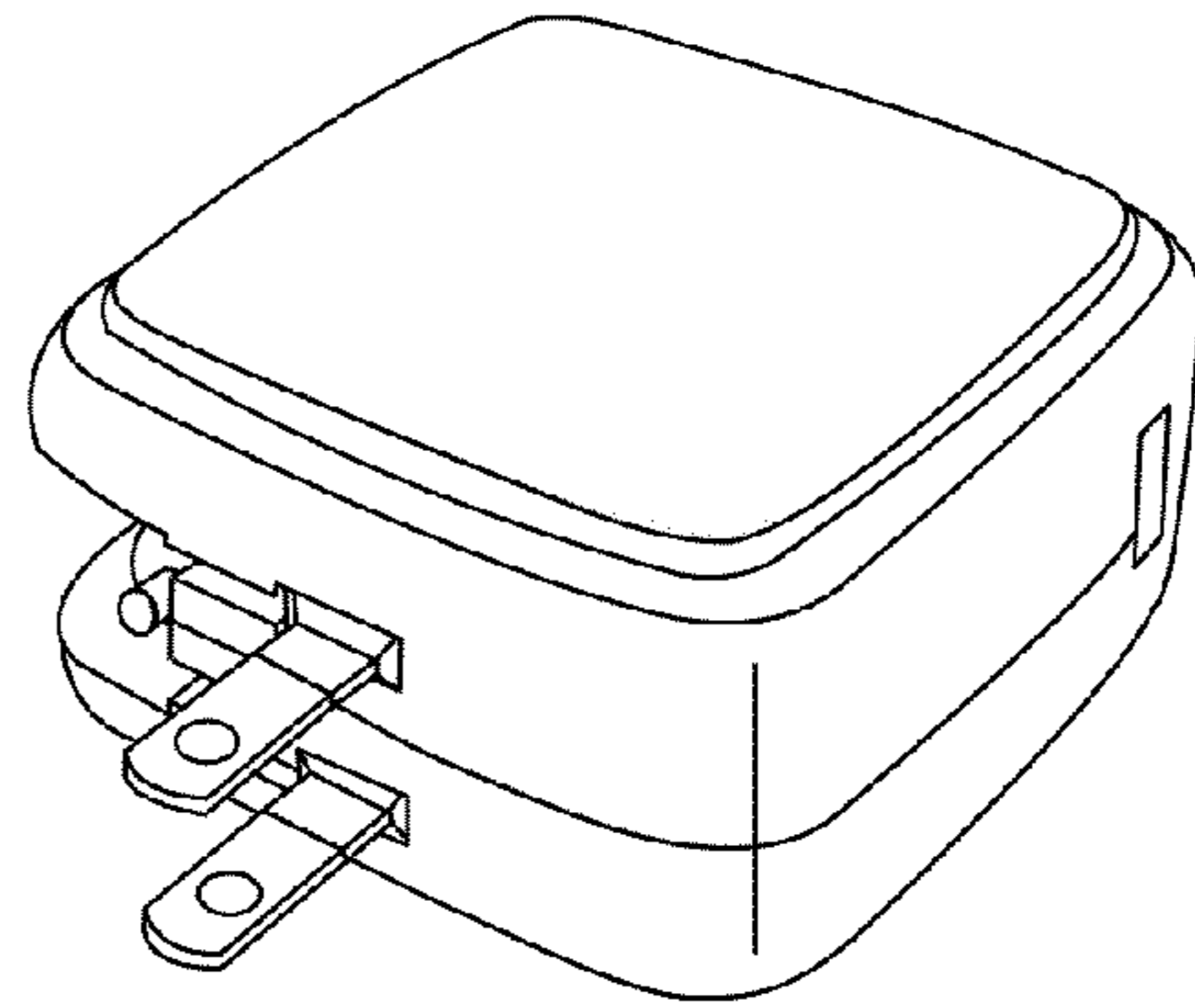


FIG. 29

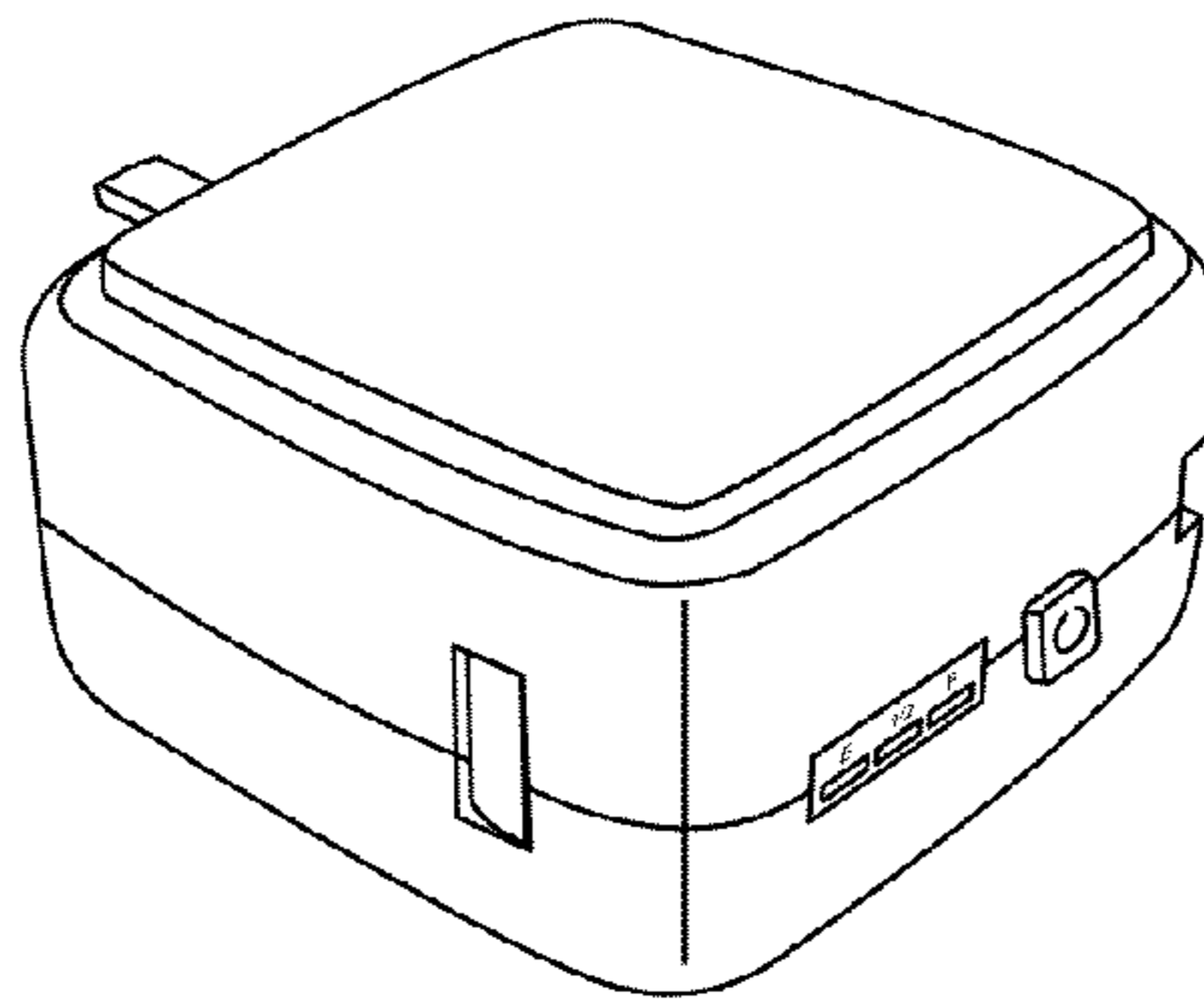


FIG. 30

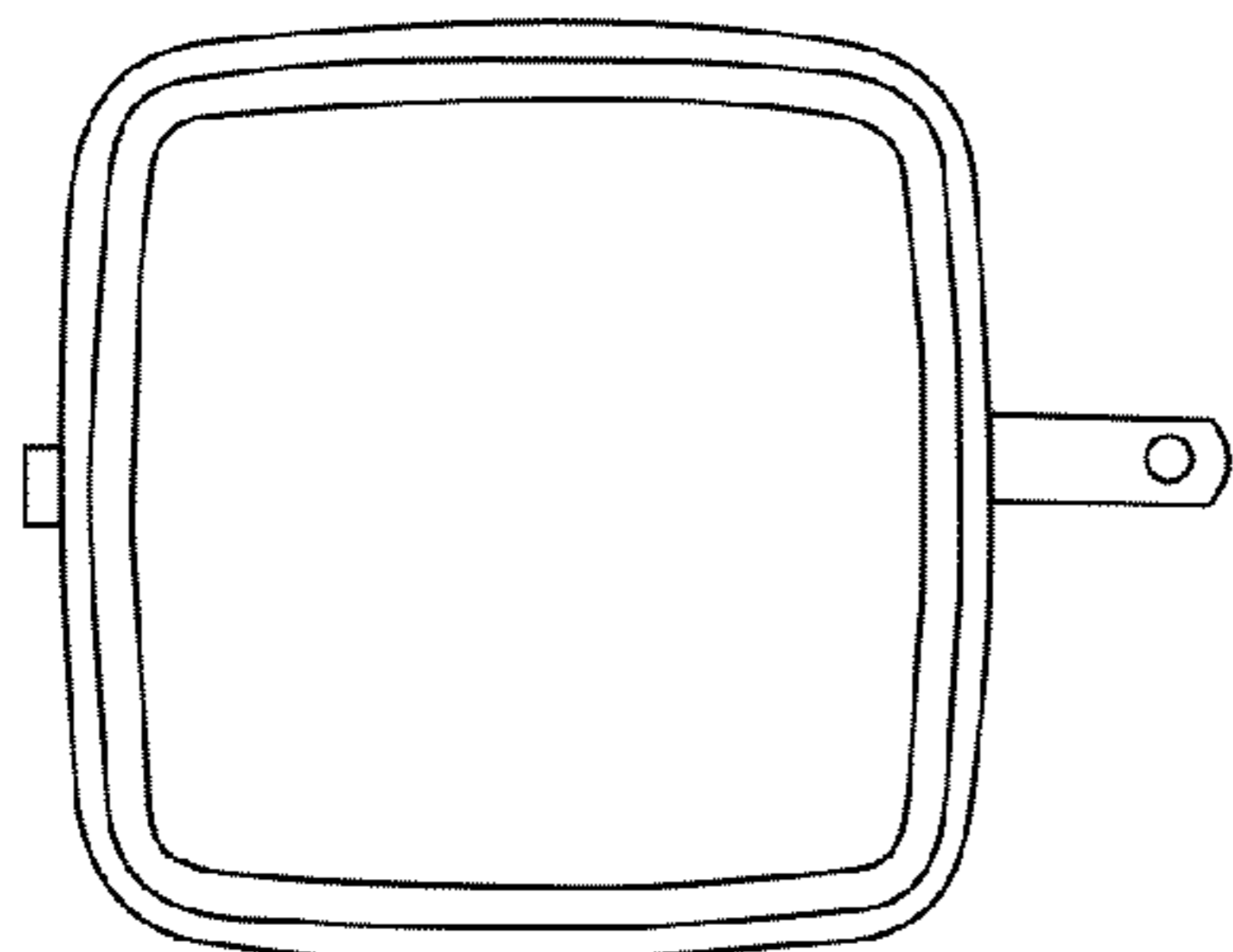


FIG. 31

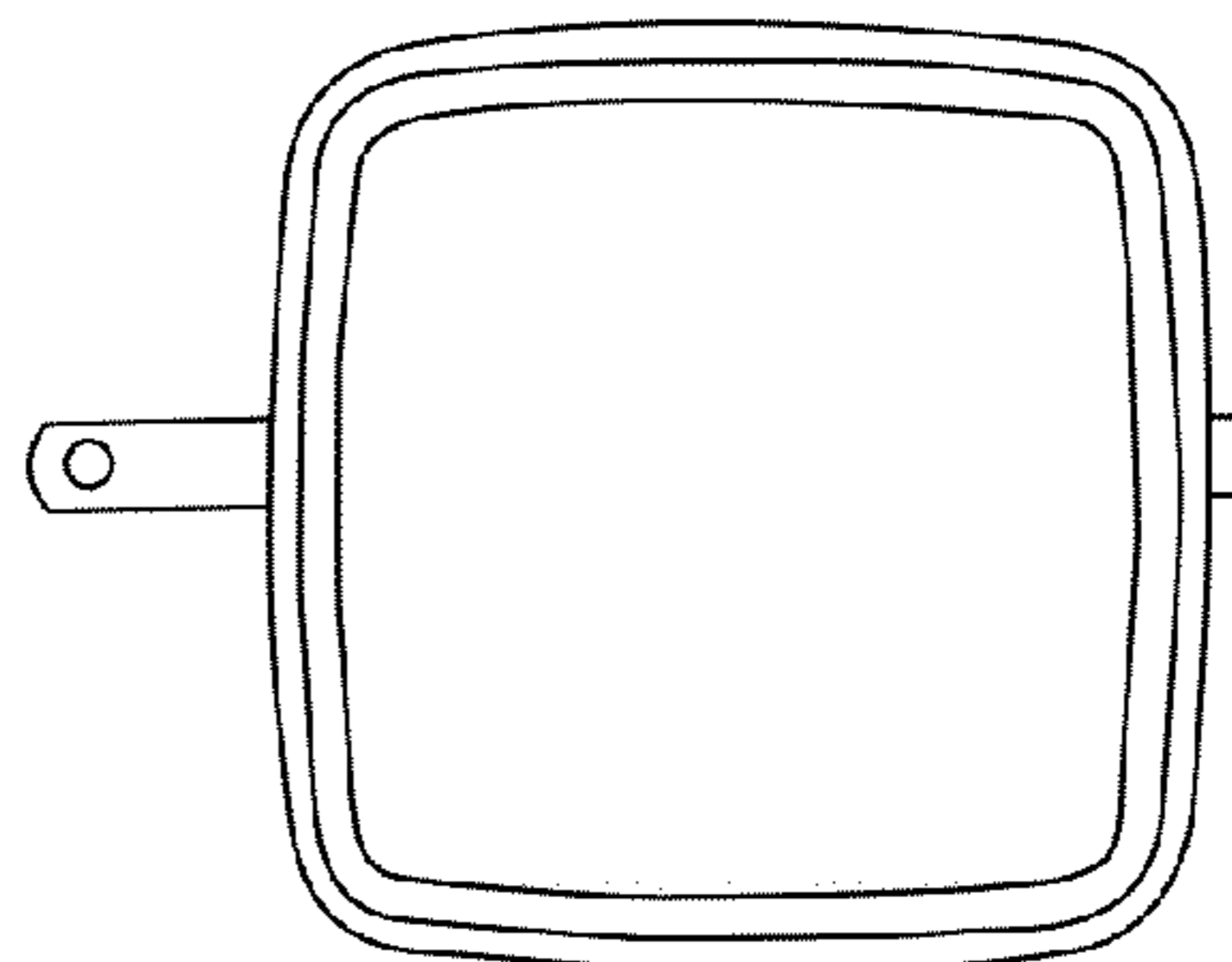


FIG. 32

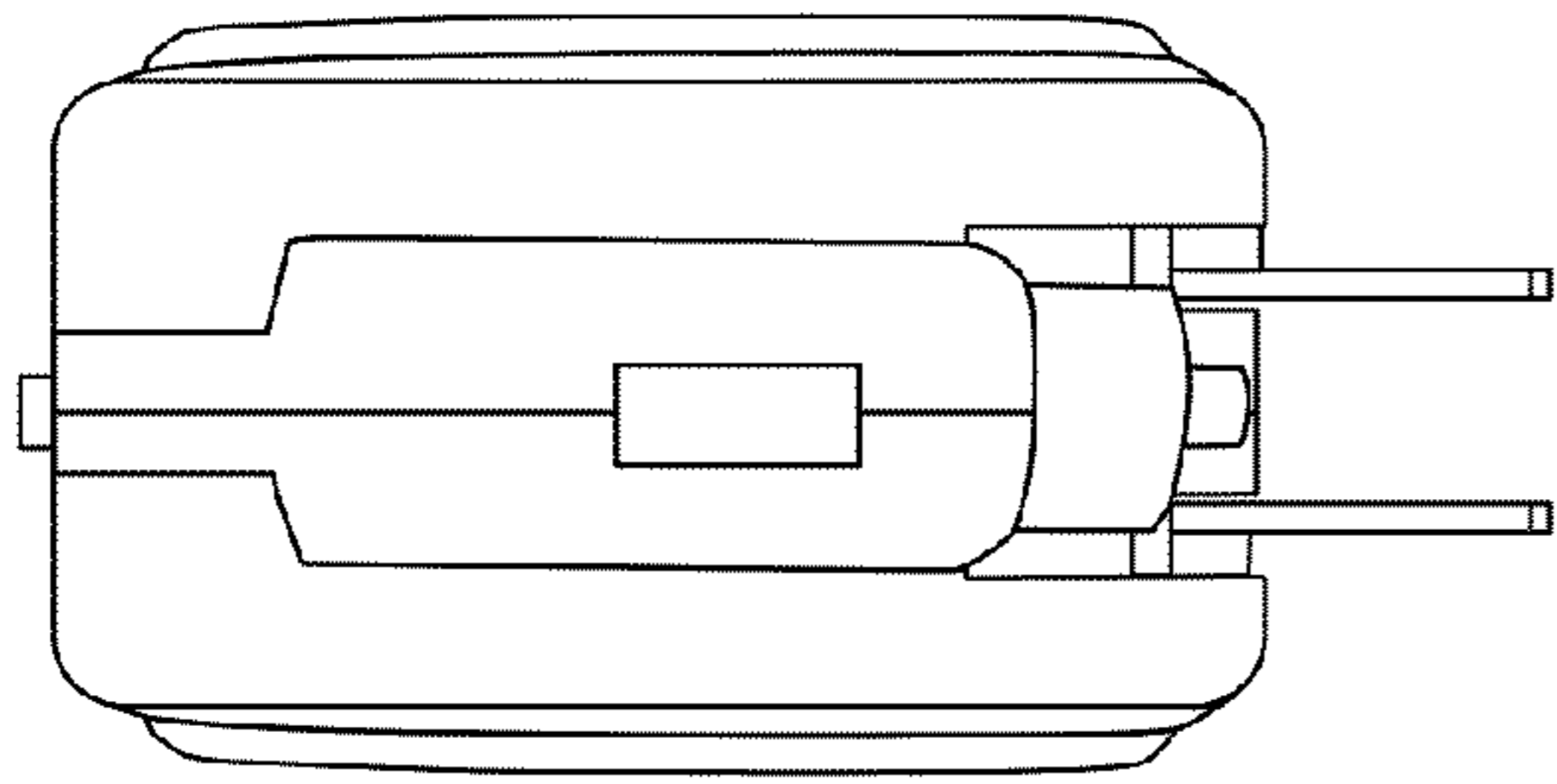


FIG. 33

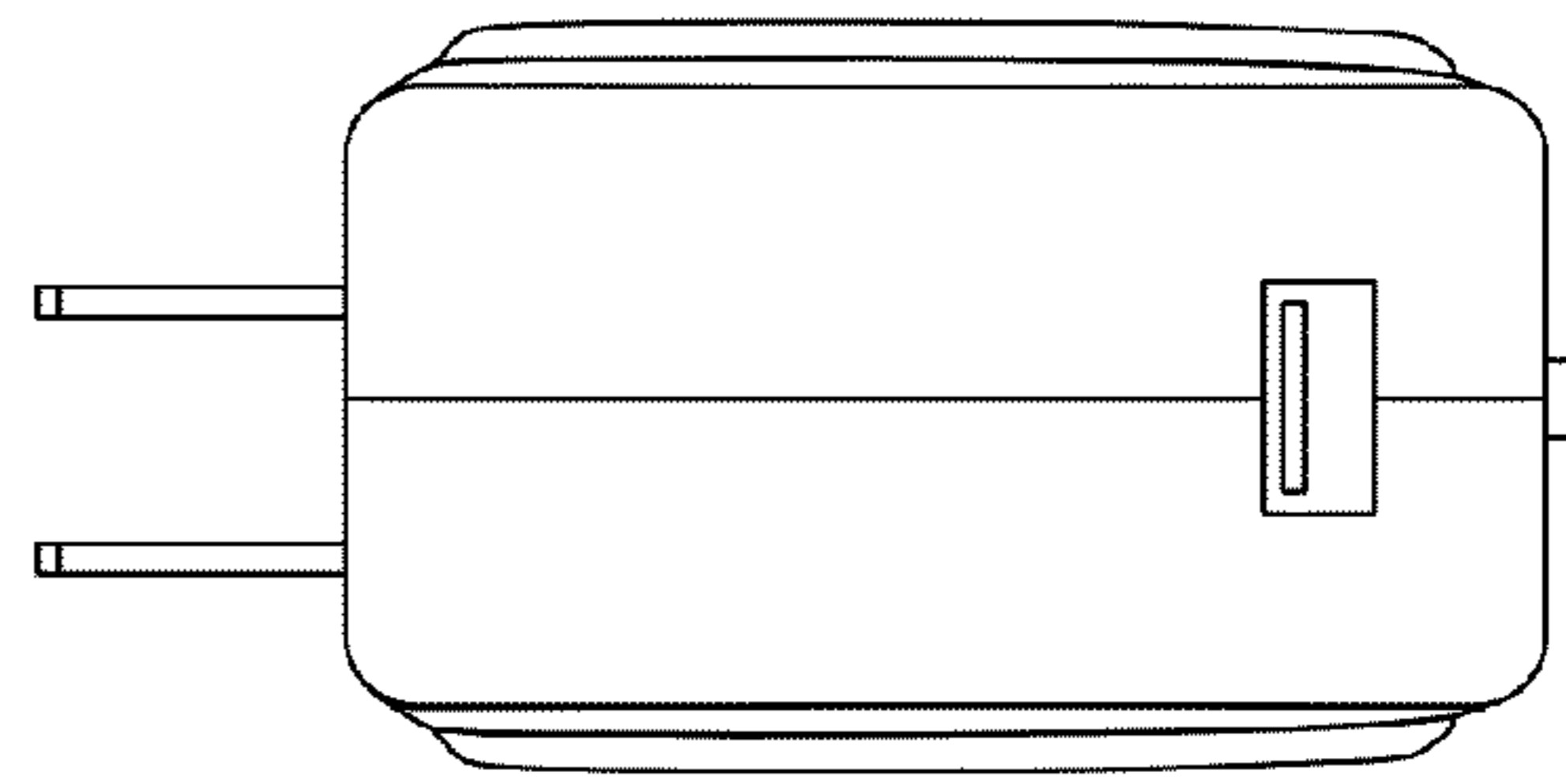


FIG. 34

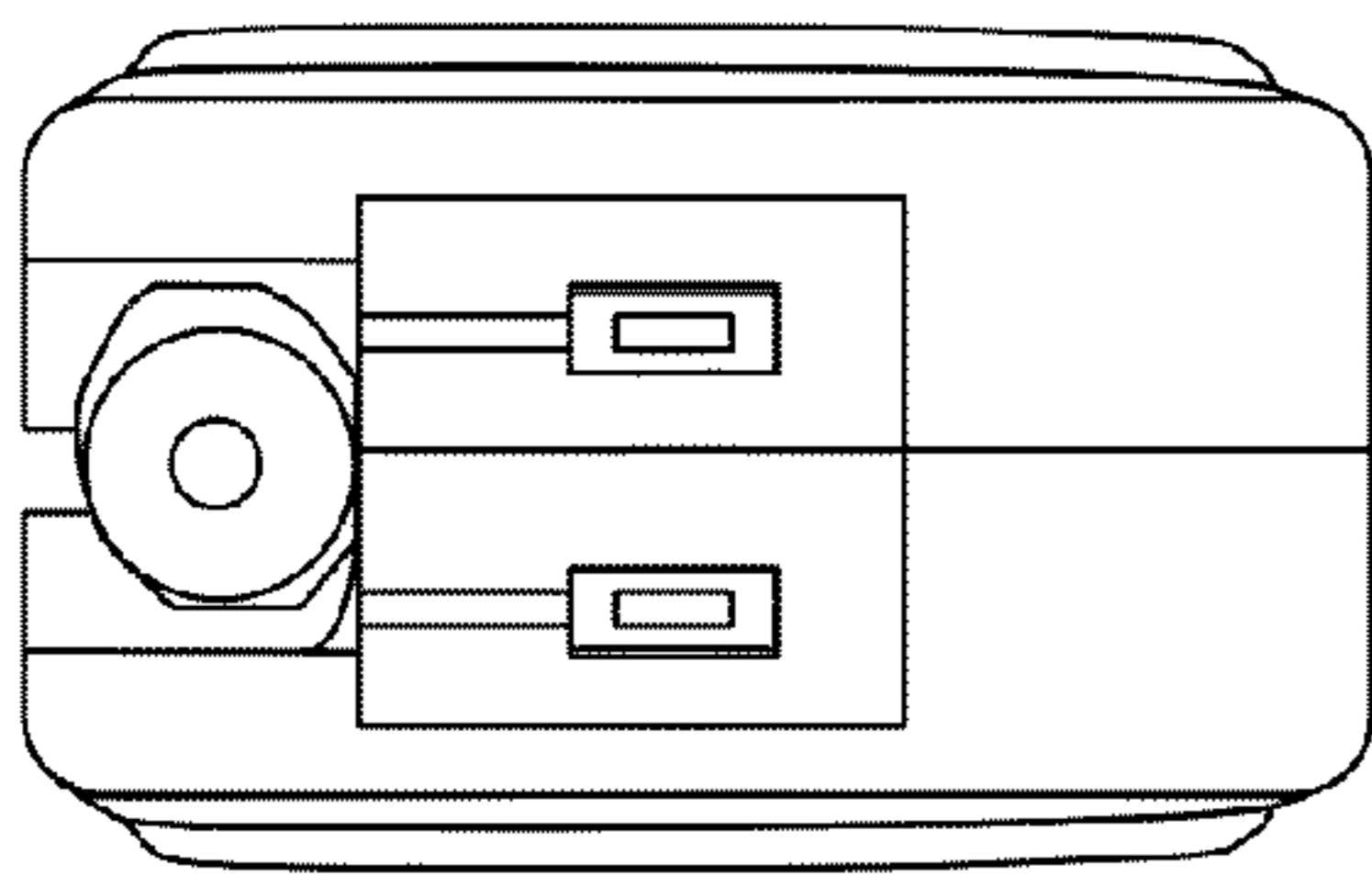


FIG. 35

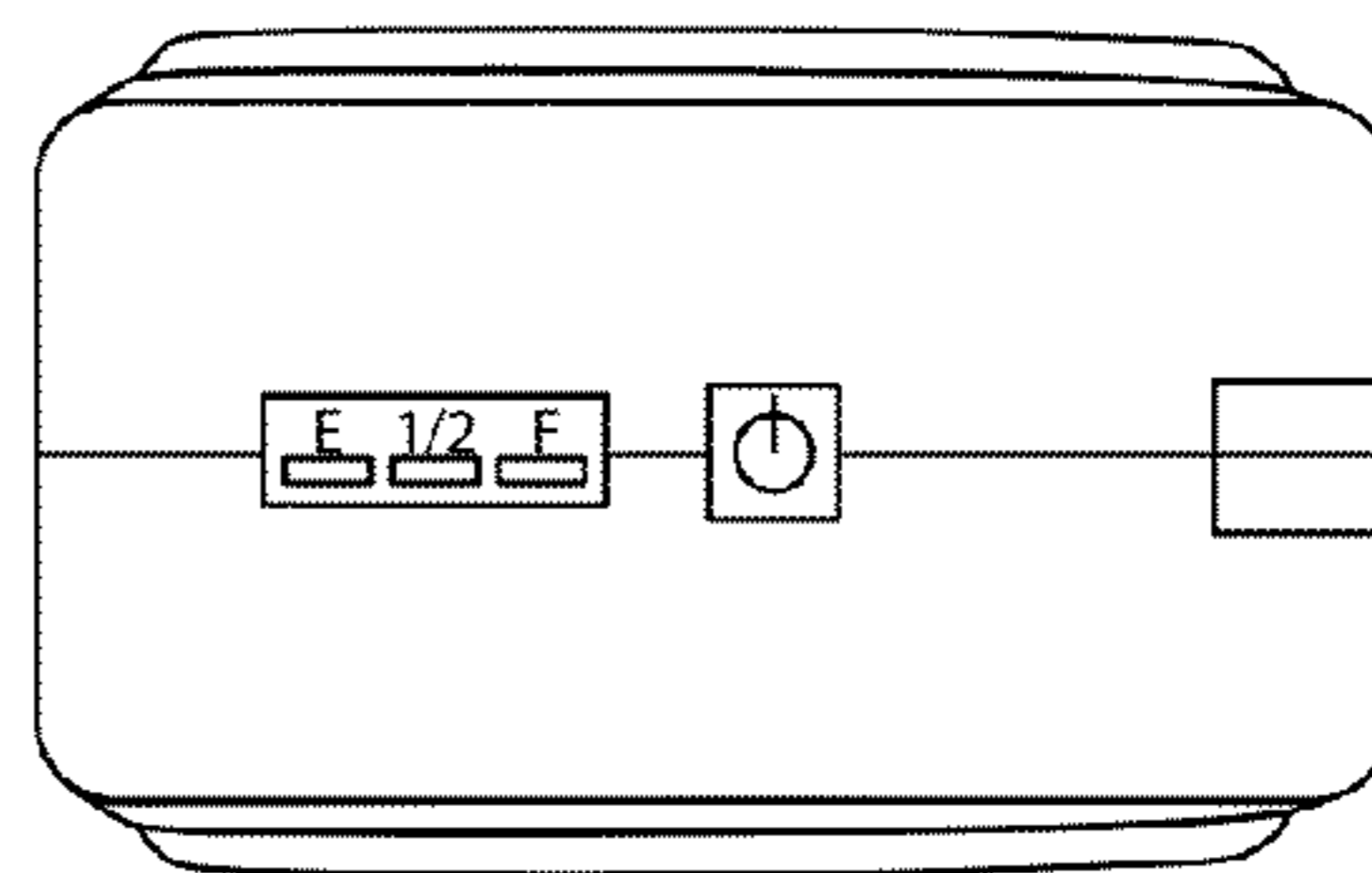


FIG. 36