



US00D708130S

(12) **United States Design Patent**
Nokuo et al.

(10) **Patent No.:** **US D708,130 S**
(45) **Date of Patent:** **** Jul. 1, 2014**

(54) **CRADLE**

(75) Inventors: **Taichi Nokuo**, Tokyo (JP); **Takashi Sogabe**, Tokyo (JP)

(73) Assignee: **Sony Comuter Entertainment Inc.**, Tokyo (JP)

(**) Term: **14 Years**

(21) Appl. No.: **29/371,710**

(22) Filed: **Jul. 22, 2011**

(30) **Foreign Application Priority Data**

Feb. 9, 2011 (JP) D2011-002716

(51) **LOC (10) Cl.** **13-02**

(52) **U.S. Cl.**
USPC **D13/108**

(58) **Field of Classification Search**
USPC D13/107-110, 118-119, 184, 199;
D14/251, 253, 432, 434; 320/107-115
See application file for complete search history.

(56) **References Cited**

U.S. PATENT DOCUMENTS

D185,106 S *	5/1959	Van Den Berg	D6/474
D335,861 S	5/1993	Tattari		
D344,708 S	3/1994	Ho		
D461,814 S *	8/2002	Felix et al.	D14/434
D474,736 S	5/2003	Sagawa		
D481,675 S *	11/2003	Ng	D13/108

(Continued)

FOREIGN PATENT DOCUMENTS

GB	2085193 S	9/1999
GB	3012491 S	7/2003

OTHER PUBLICATIONS

Office Action issued in Chilean Design Patent Application No. 2011-001682, dated Feb. 1, 2013.

Primary Examiner — Rosemary K Tarcza

(74) *Attorney, Agent, or Firm* — Rader, Fishman & Grauer PLLC

(57) **CLAIM**
The ornamental design for a cradle, as shown.

DESCRIPTION

FIG. 1 is a front, top, right perspective view of a cradle showing our new design, wherein two pieces of the attachments, each of which is shown in FIG. 17, are attached to a main body shown in FIG. 9;

FIG. 2 is a rear, bottom, left perspective view thereof;

FIG. 3 is a front elevational view thereof;

FIG. 4 is a rear elevational view thereof;

FIG. 5 is a left side elevational view thereof;

FIG. 6 is a right side elevational view thereof;

FIG. 7 is a top plan view thereof; and

FIG. 8 is a bottom plan view thereof.

FIG. 9 is a front, top, right perspective view of the main body of the cradle of FIG. 1 wherein the two pieces of attachments are removed;

FIG. 10 is a rear, bottom, left perspective view thereof;

FIG. 11 is a front elevational view thereof;

FIG. 12 is a rear elevational view thereof;

FIG. 13 is a left side elevational view thereof;

FIG. 14 is a right side elevational view thereof;

FIG. 15 is a top plan view thereof; and

FIG. 16 is a bottom plan view thereof.

FIG. 17 is a rear, top, right perspective view of the attachment of the cradle of FIG. 1;

FIG. 18 is a front, bottom, left perspective view thereof;

FIG. 19 is a front elevational view thereof;

FIG. 20 is a rear elevational view thereof;

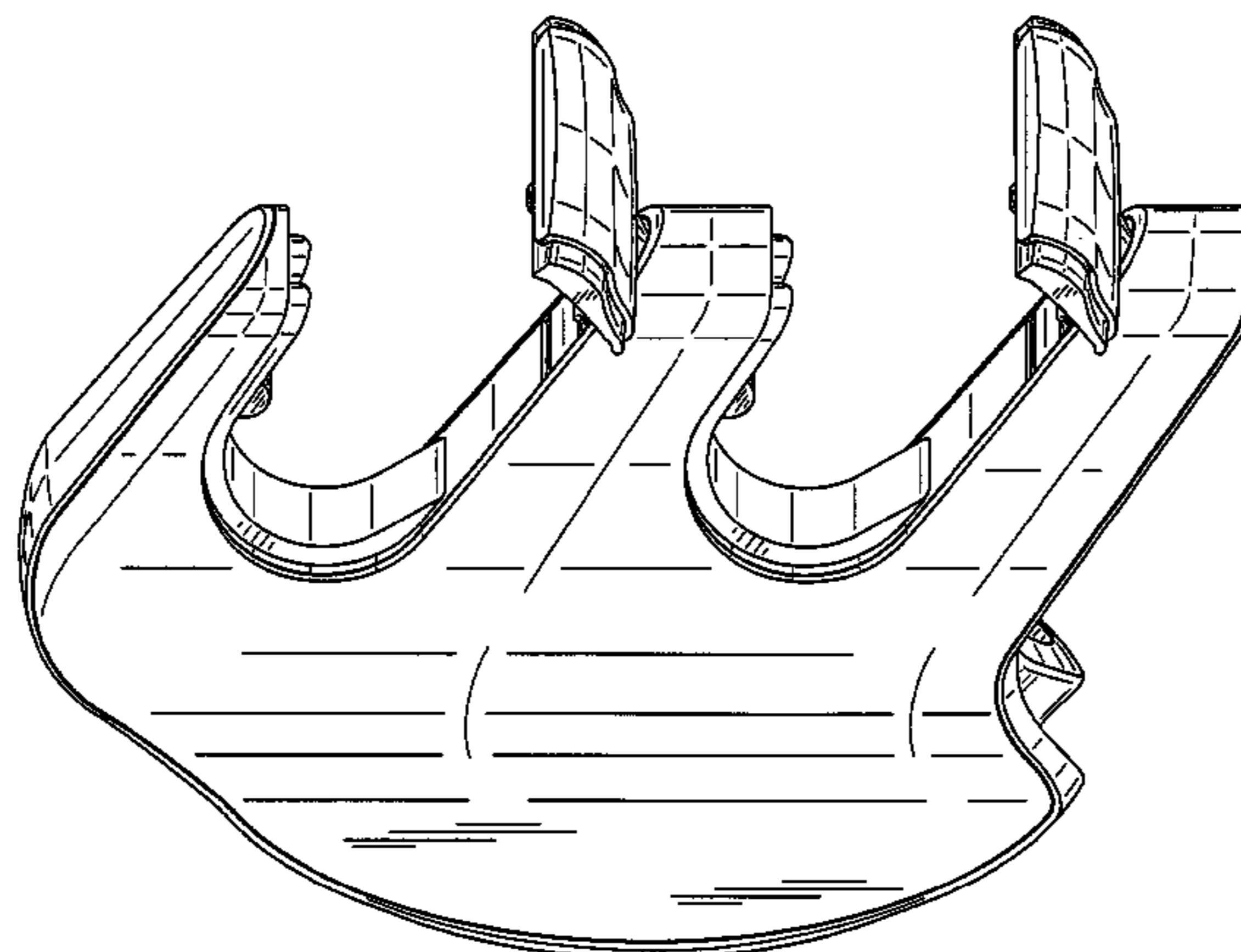
FIG. 21 is a left side elevational view thereof;

FIG. 22 is a right side elevational view thereof;

FIG. 23 is a top plan view thereof; and

FIG. 24 is a bottom plan view thereof.

1 Claim, 20 Drawing Sheets



(56)

References Cited

U.S. PATENT DOCUMENTS

D483,328 S	*	12/2003	Suzuki	D13/108	D561,182 S		2/2008	Jenkins et al.	
D489,324 S	*	5/2004	Suzuki	D13/108	D579,408 S	*	10/2008	Benyameen D13/107
D502,913 S		3/2005	Fukami et al.			D582,901 S		12/2008	Bentley et al.	
D509,788 S	*	9/2005	Schlieffers et al.	D13/108	D589,031 S		3/2009	Bentley et al.	
D522,963 S		6/2006	Hayes et al.			D593,998 S		6/2009	Bentley et al.	
D530,667 S	*	10/2006	Viduya et al.	D13/107	D597,940 S		8/2009	Navid	
D532,366 S	*	11/2006	Koizumi	D13/108	D621,346 S	*	8/2010	Navid D13/108
D549,646 S		8/2007	Sade et al.			D640,977 S	*	7/2011	Videbaek D13/108
						D642,521 S	*	8/2011	Markowitz D13/108
						D647,907 S	*	11/2011	Perry et al. D14/434

* cited by examiner

FIG.1

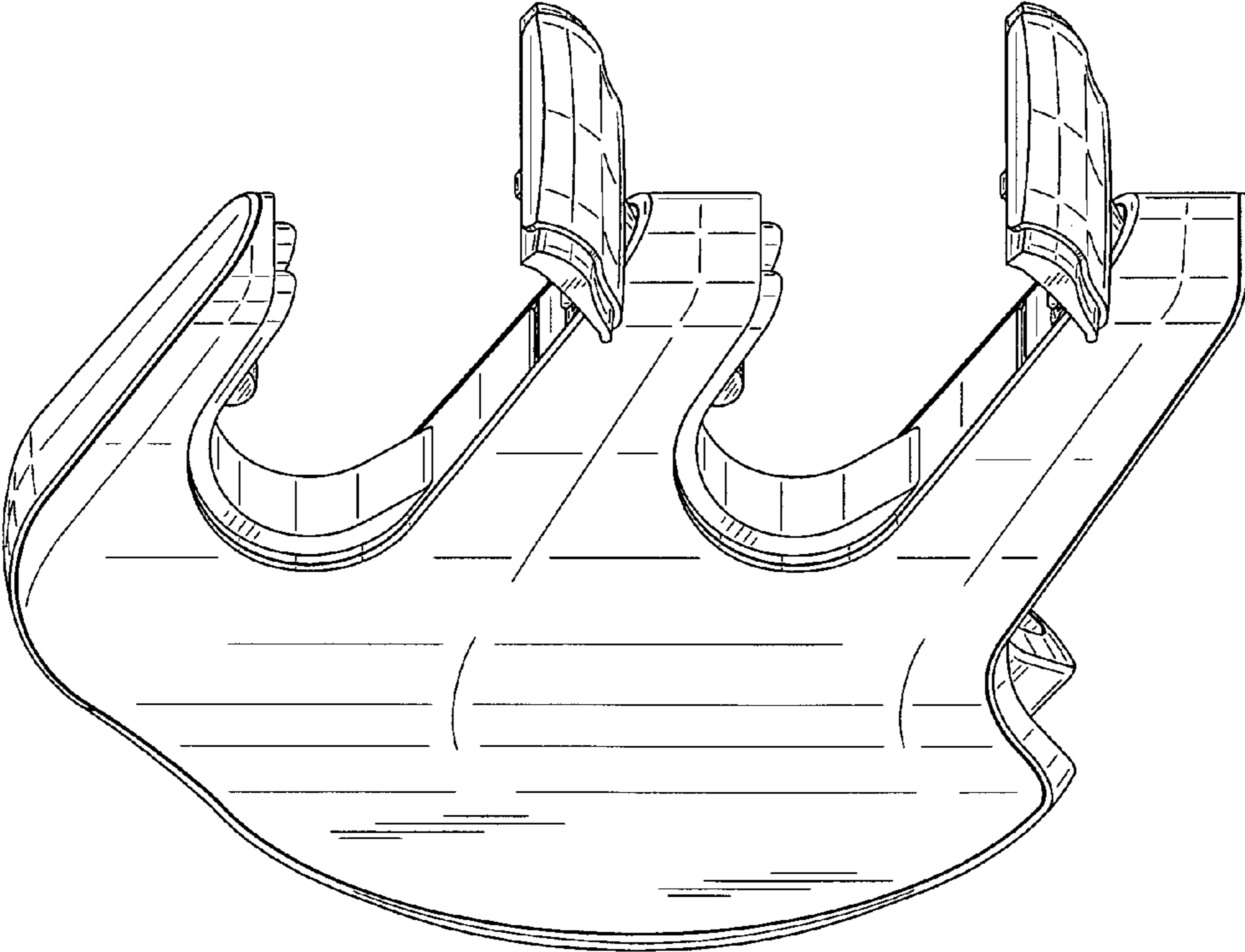


FIG.2

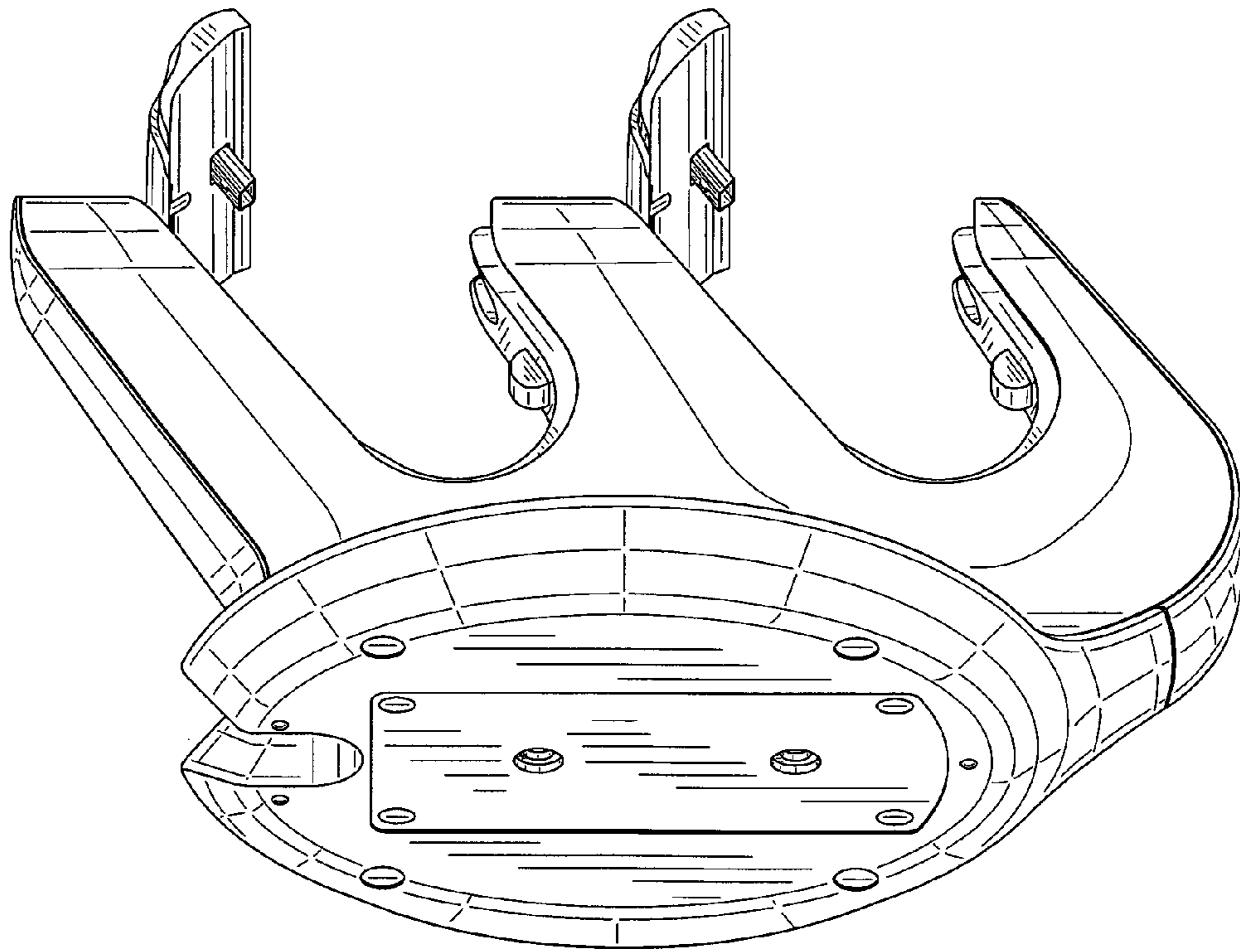


FIG.3

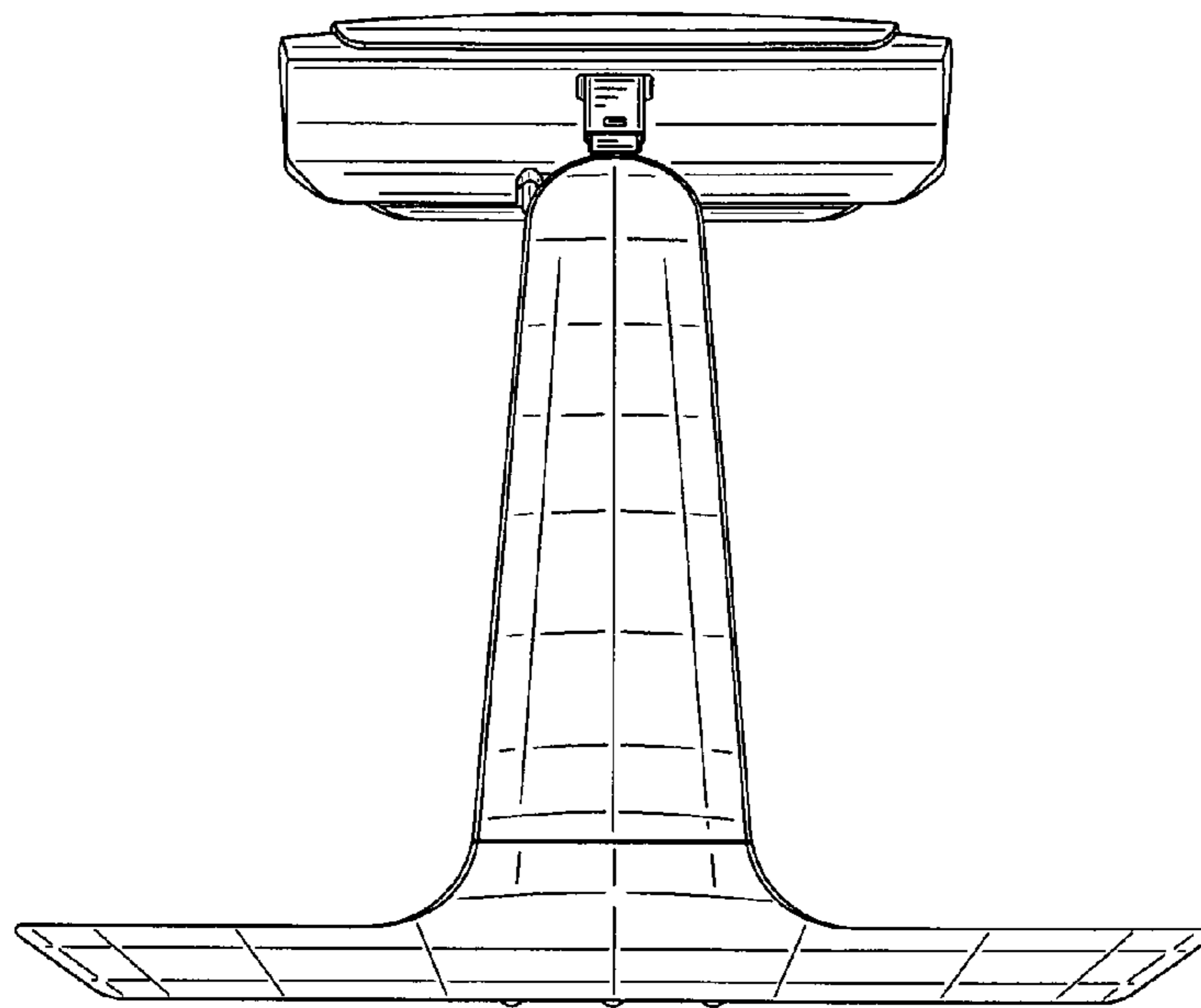


FIG.4

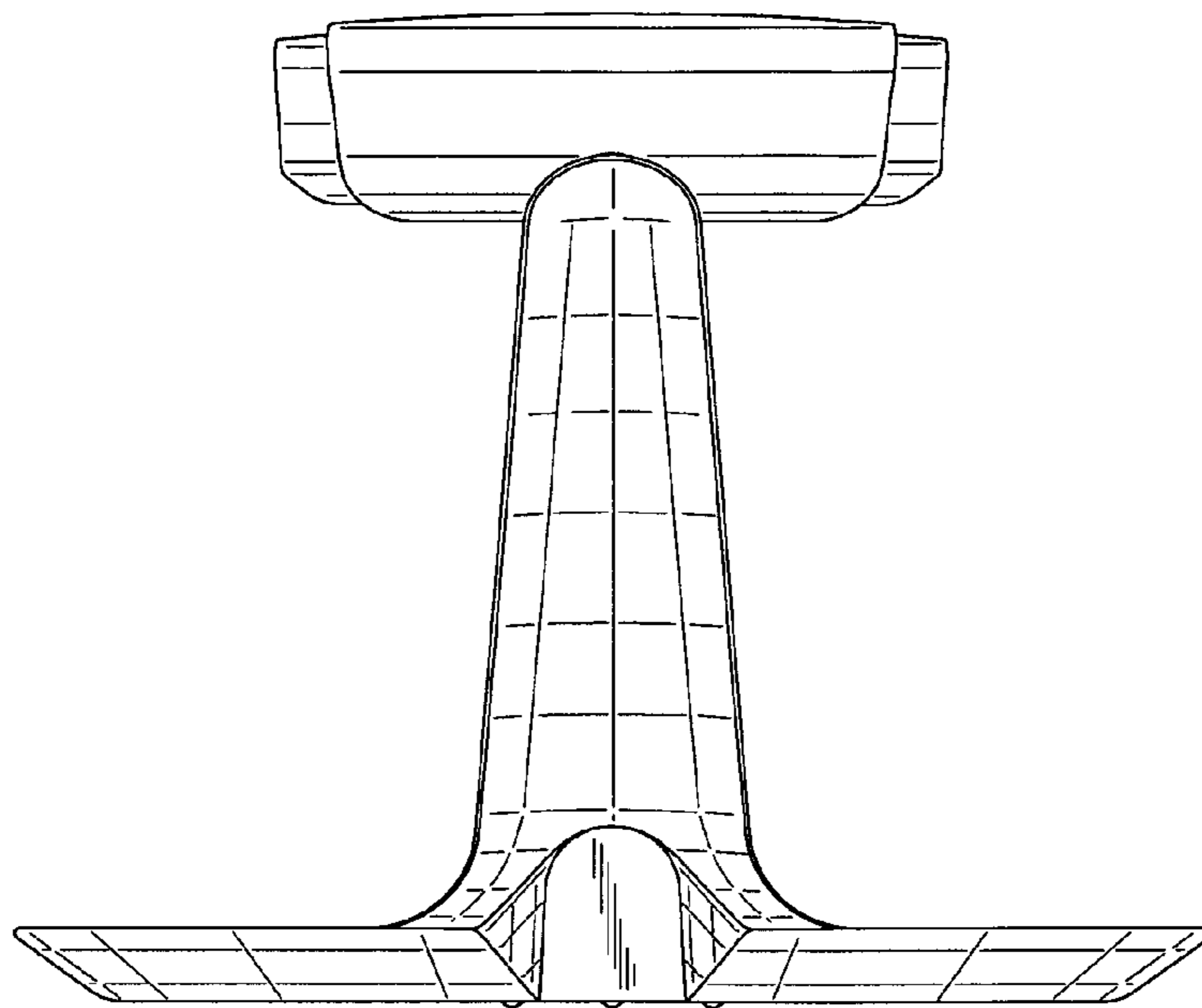


FIG.5

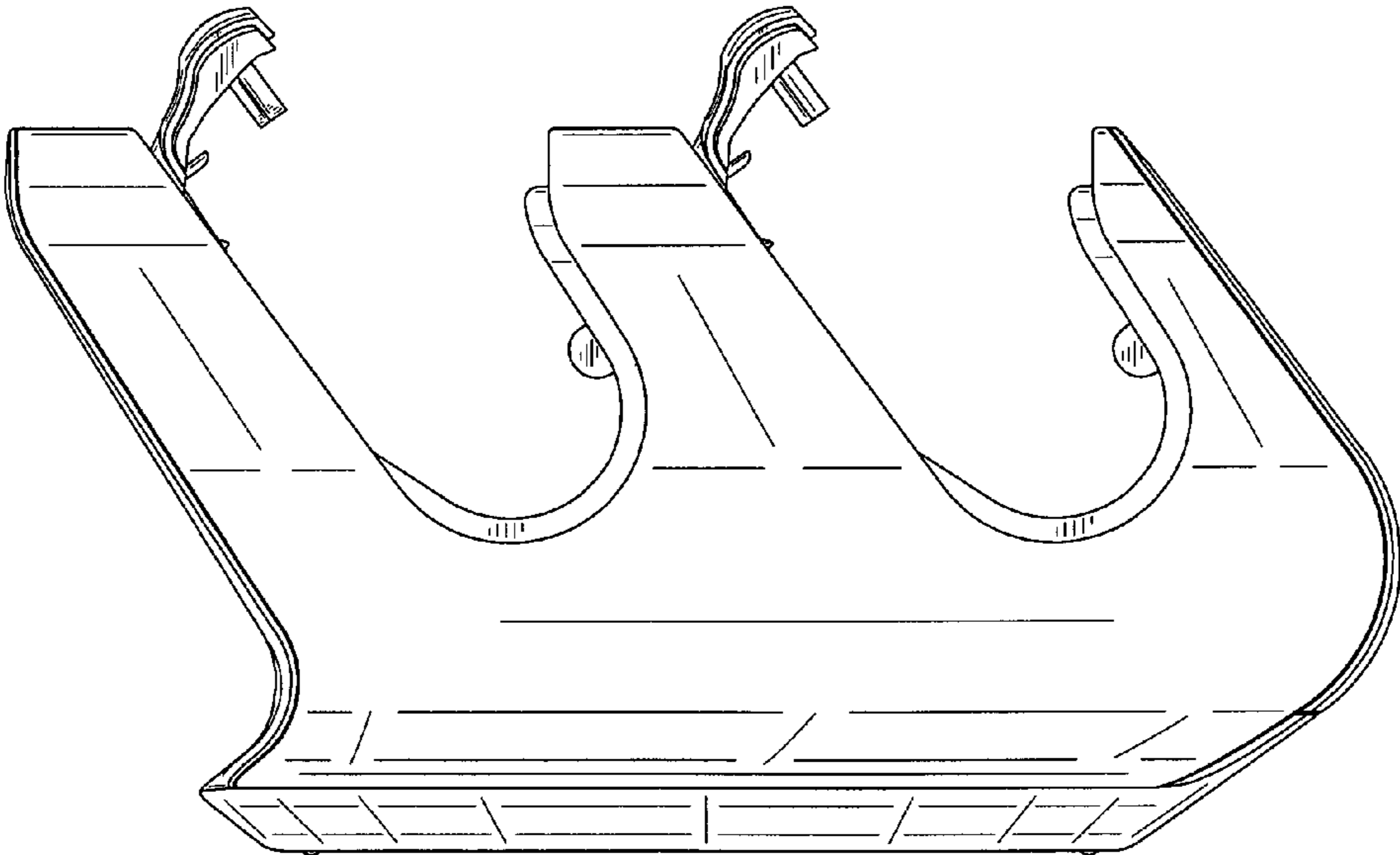


FIG.6

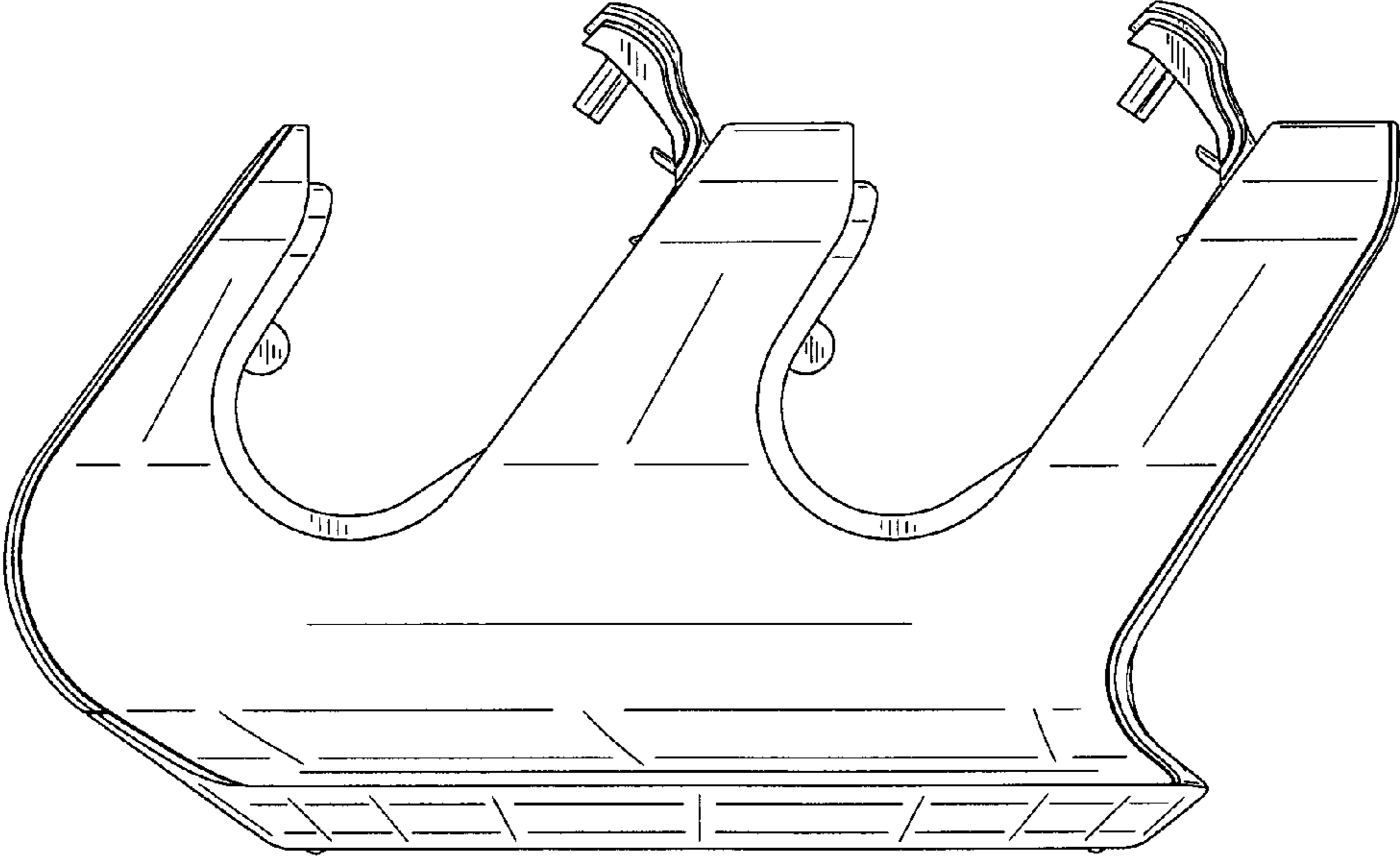


FIG. 7

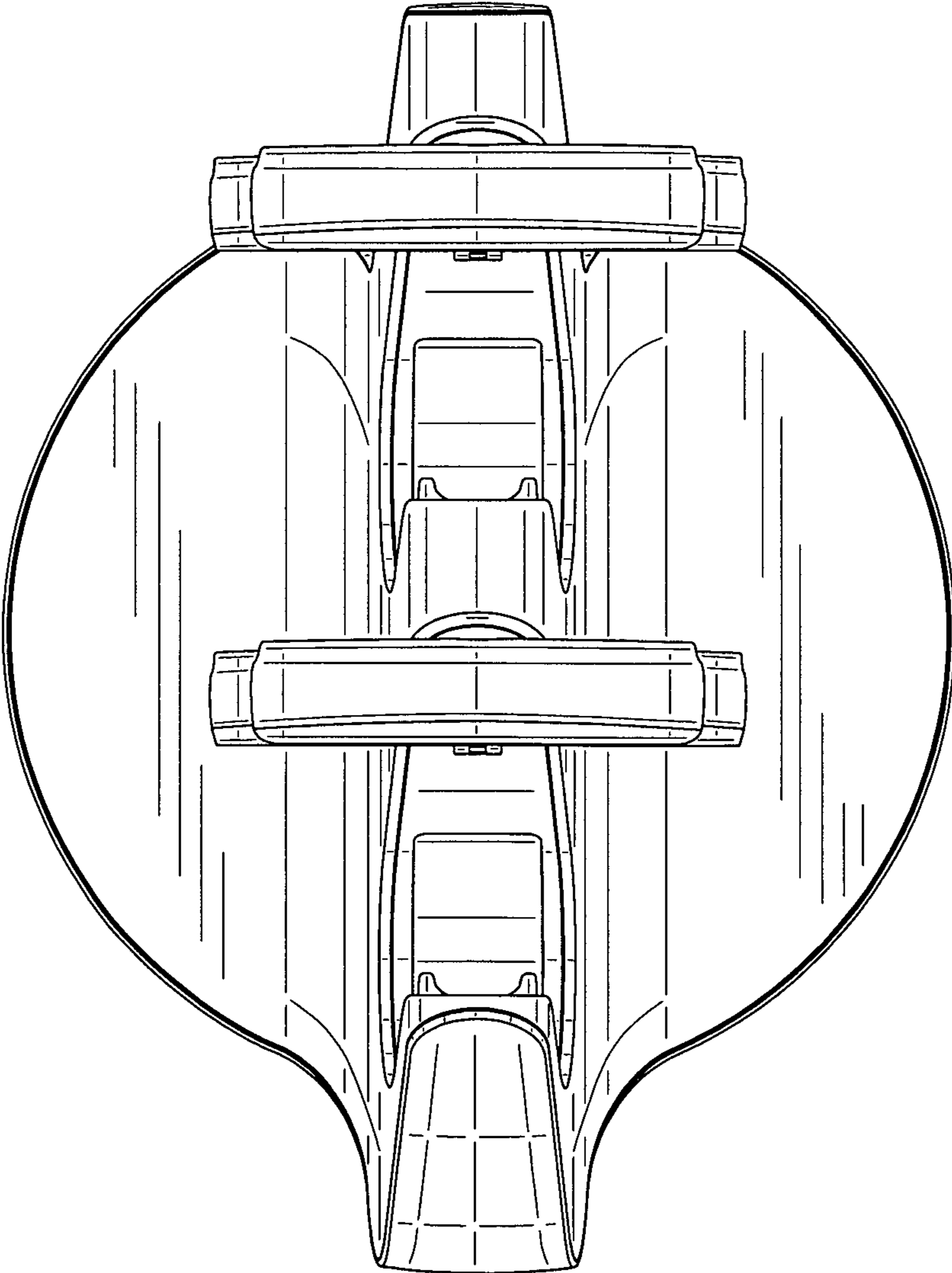


FIG.8

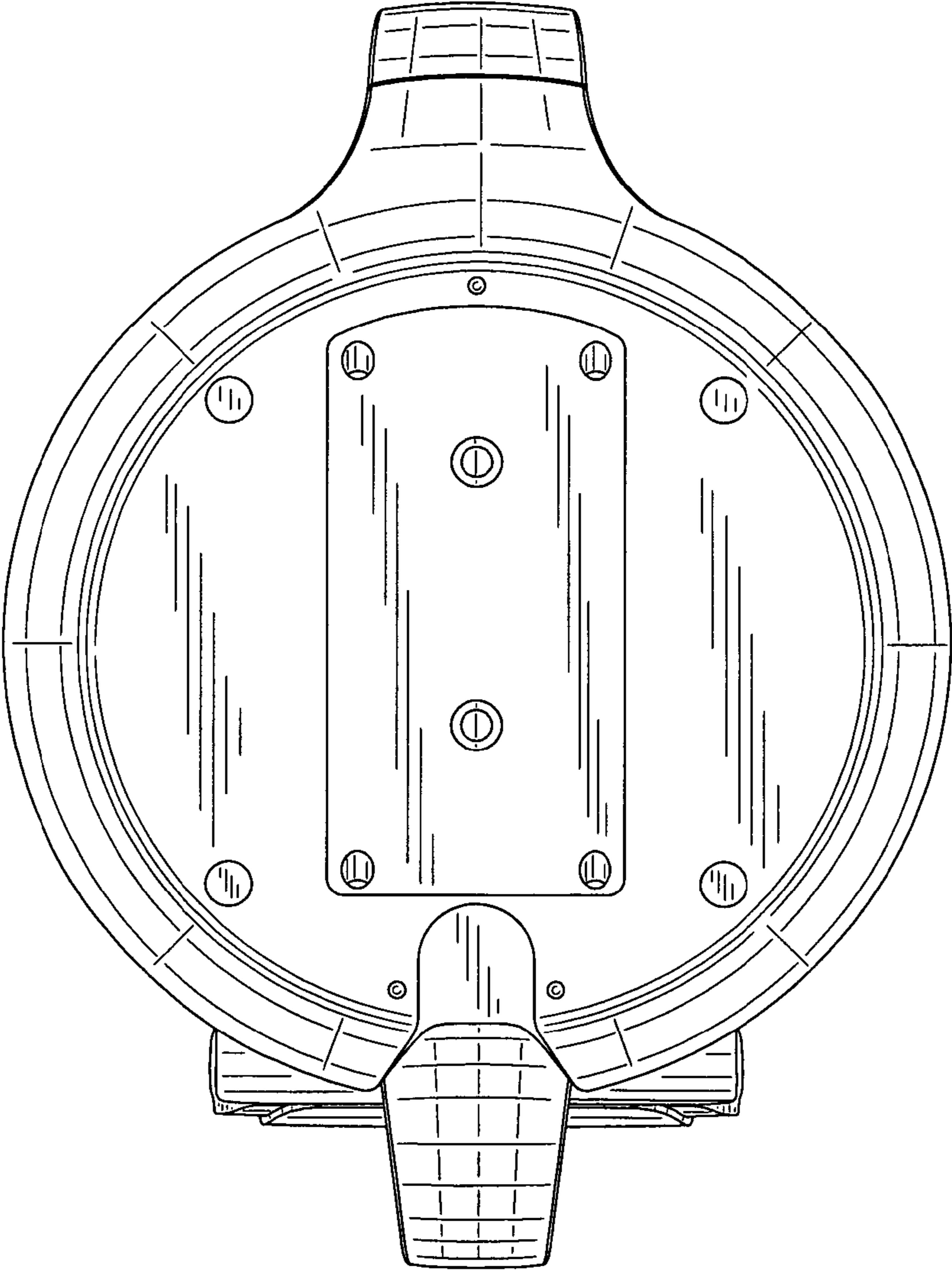


FIG.9

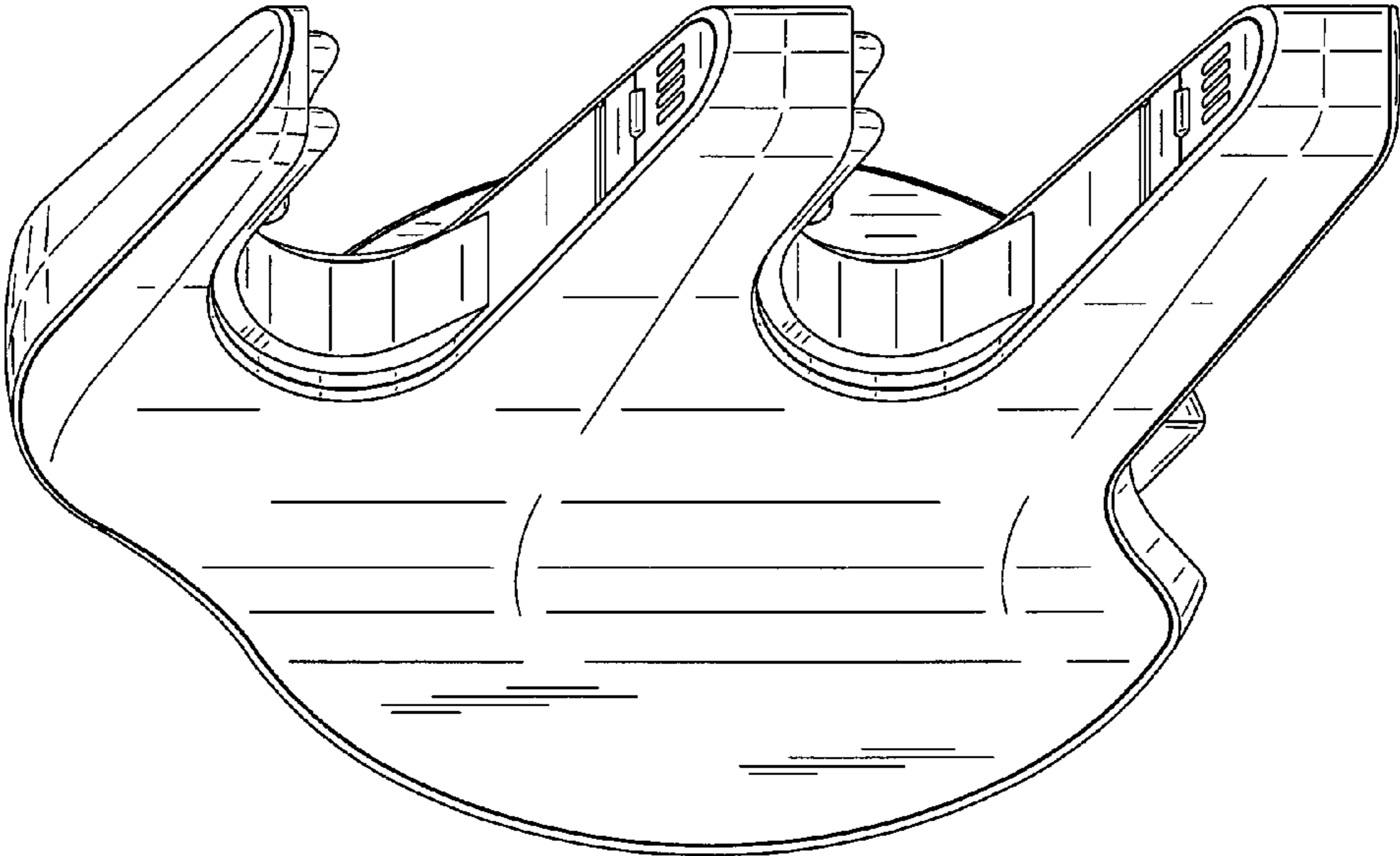


FIG.10

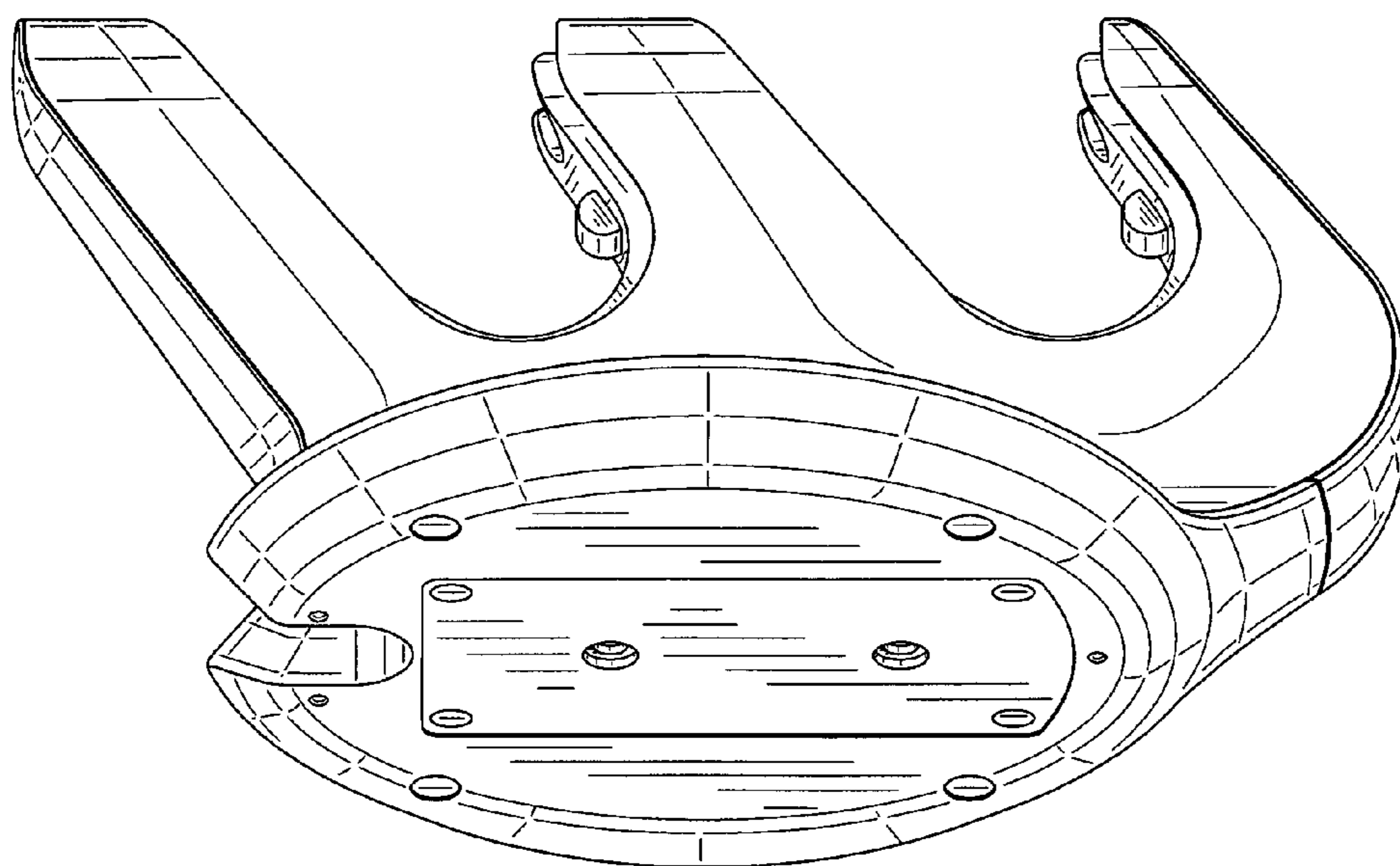


FIG.11

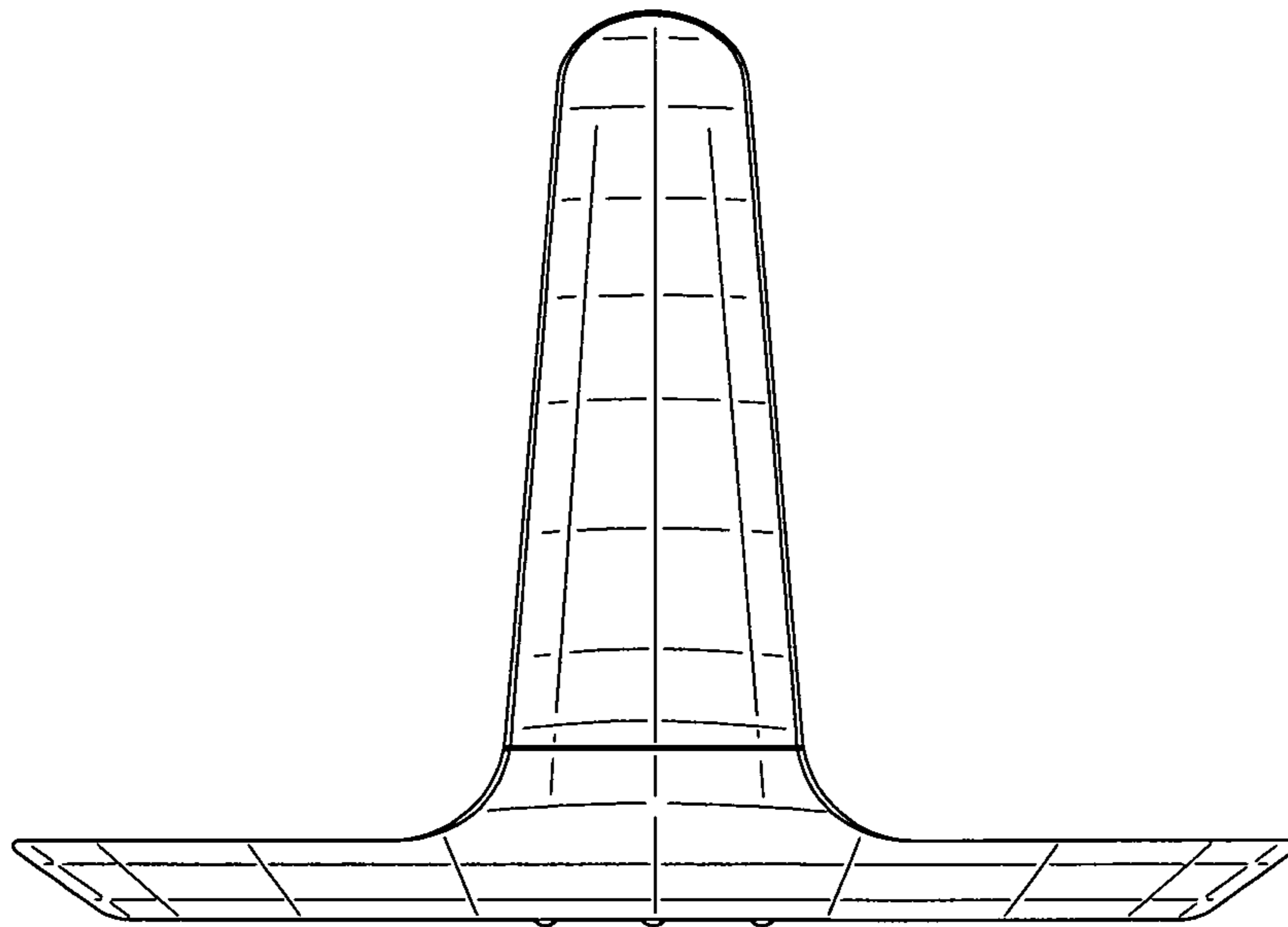


FIG.12

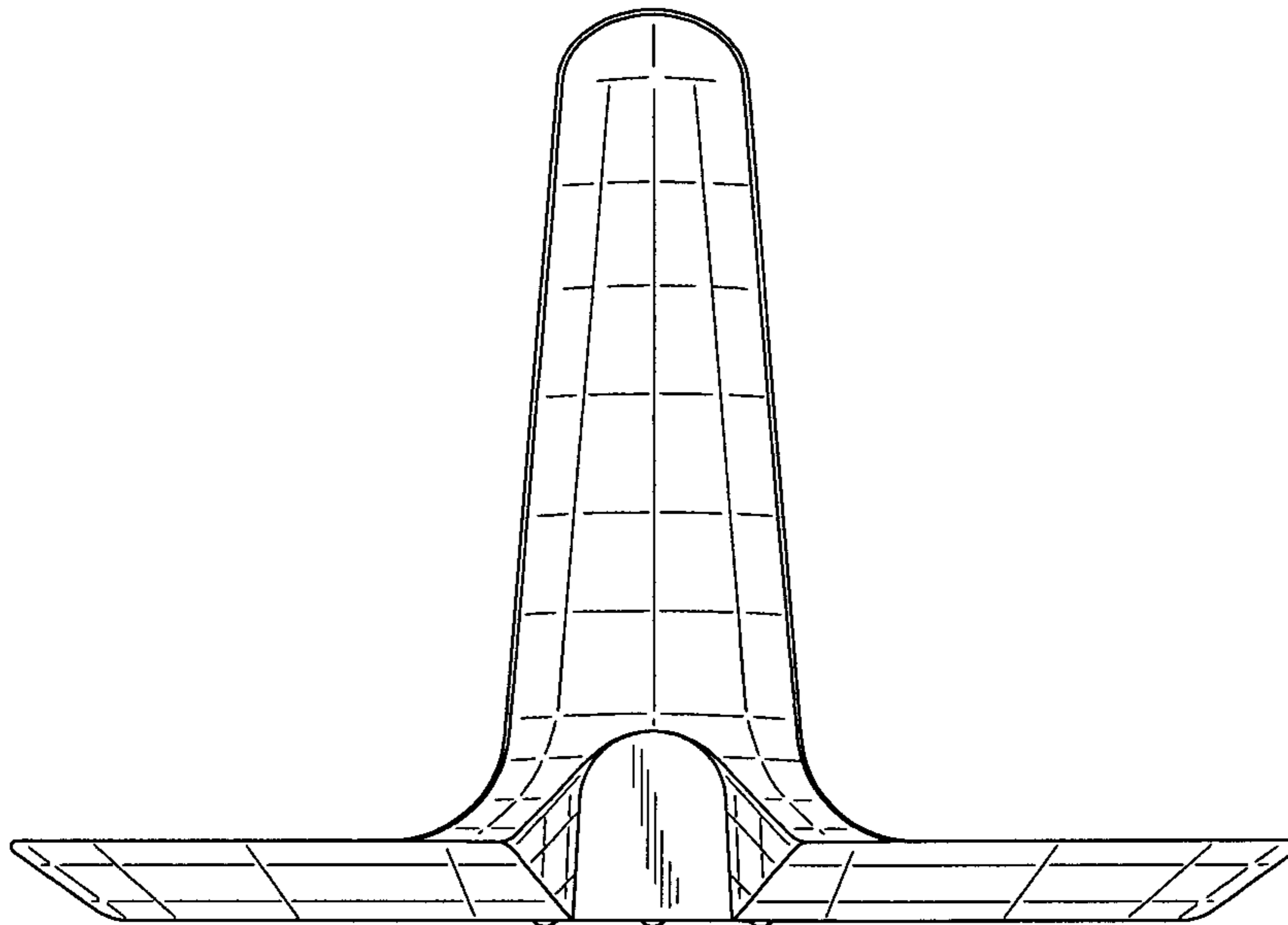


FIG.13

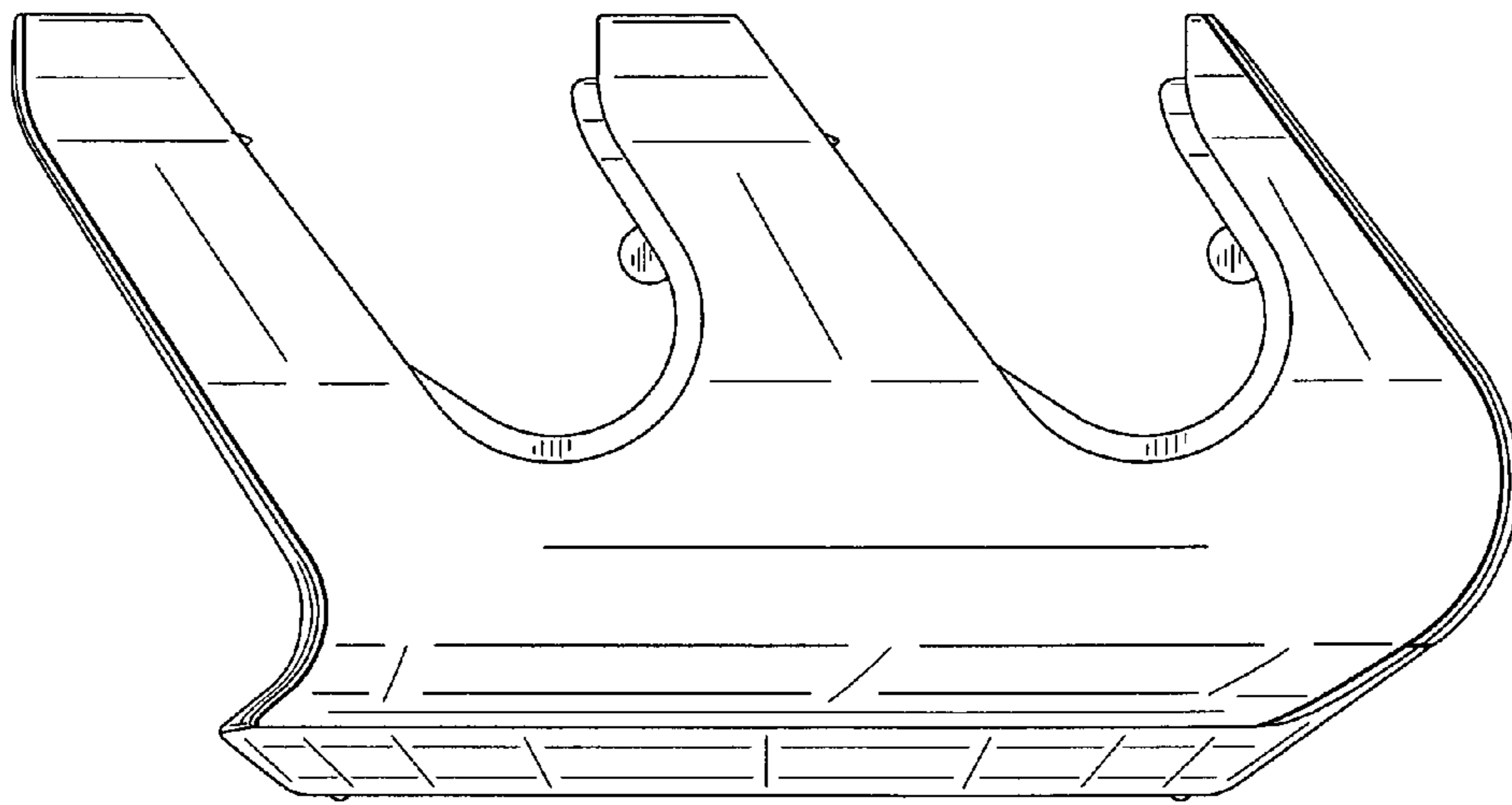


FIG.14

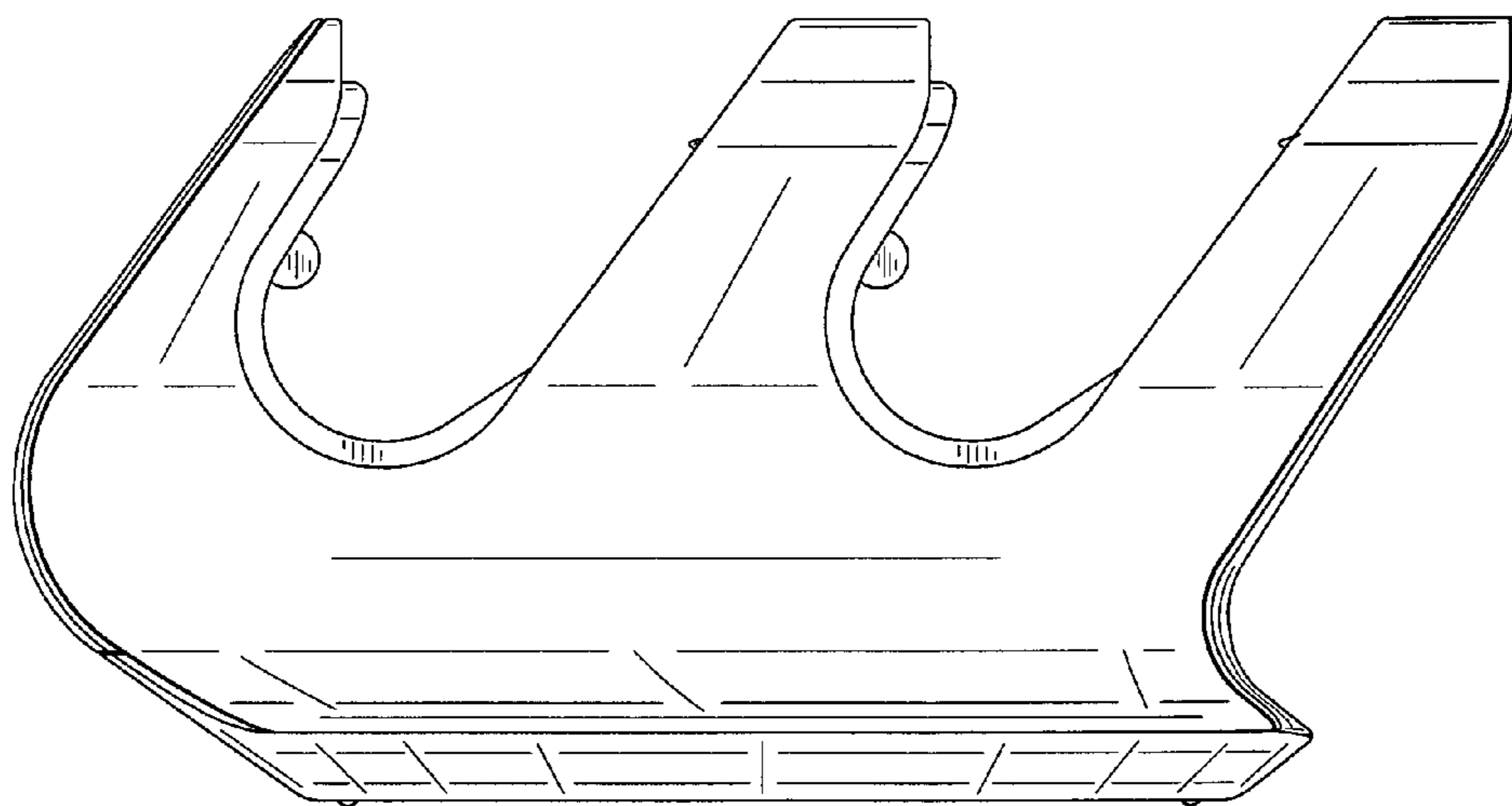


FIG.15

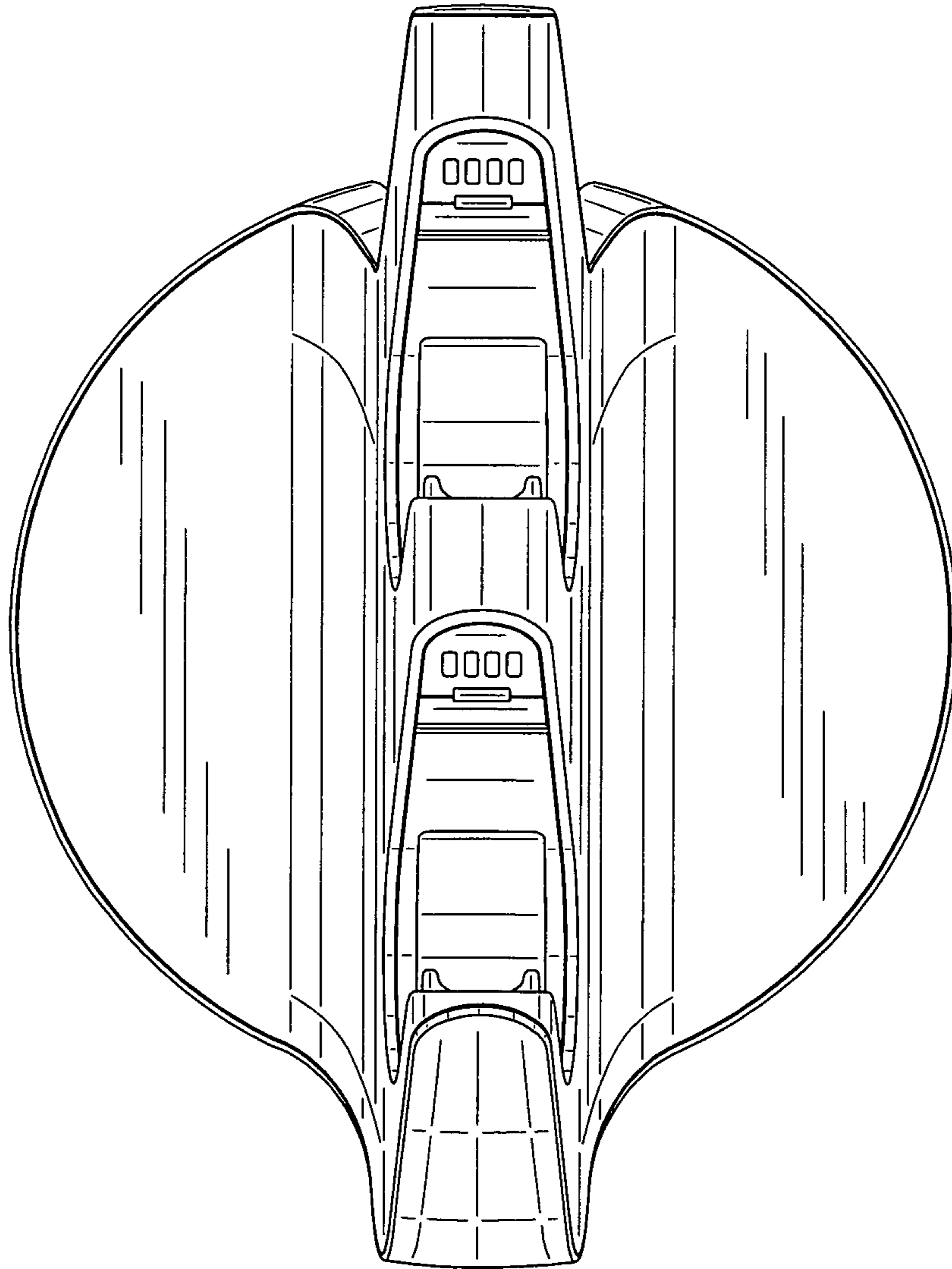


FIG. 16

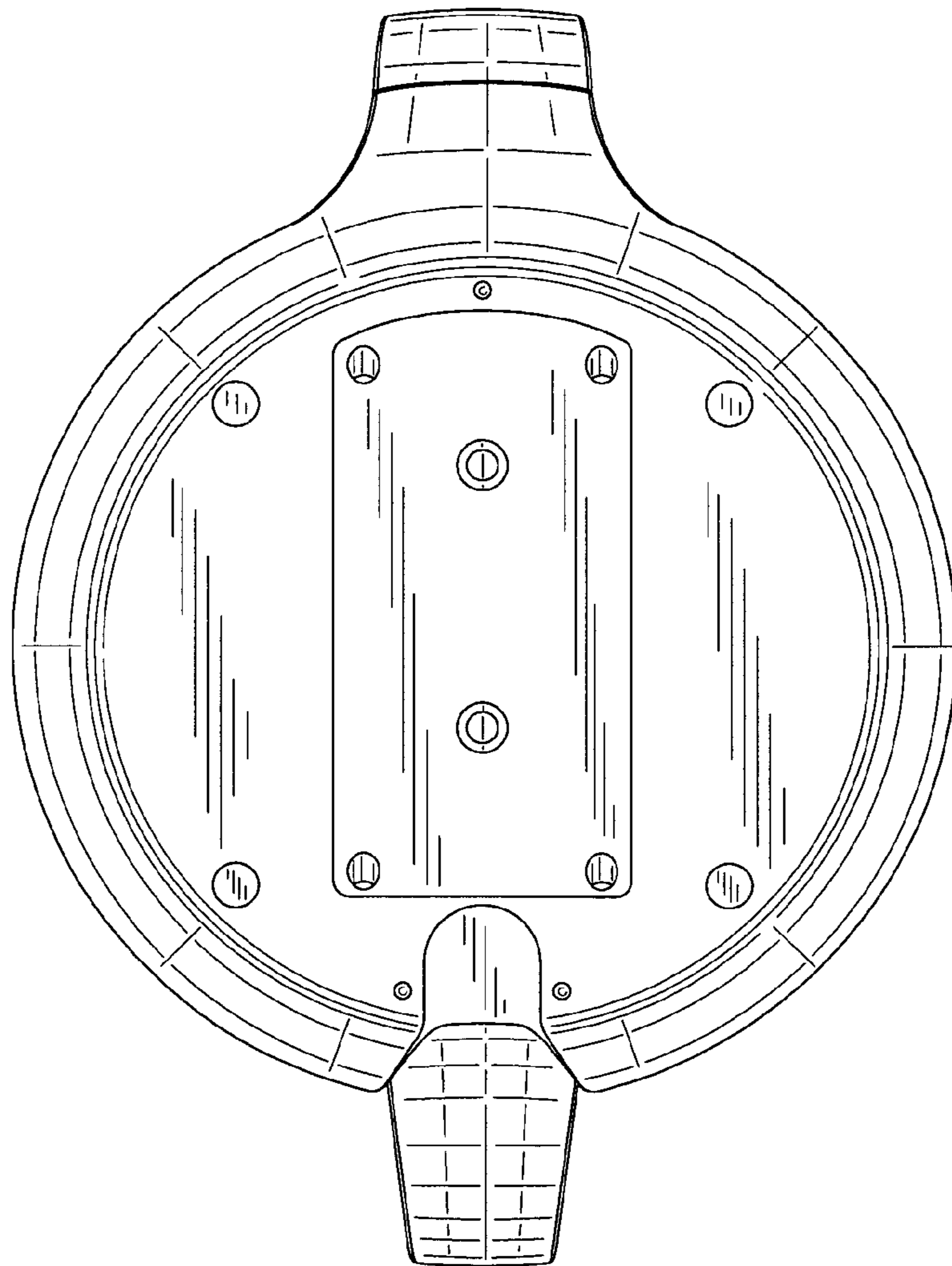


FIG.17

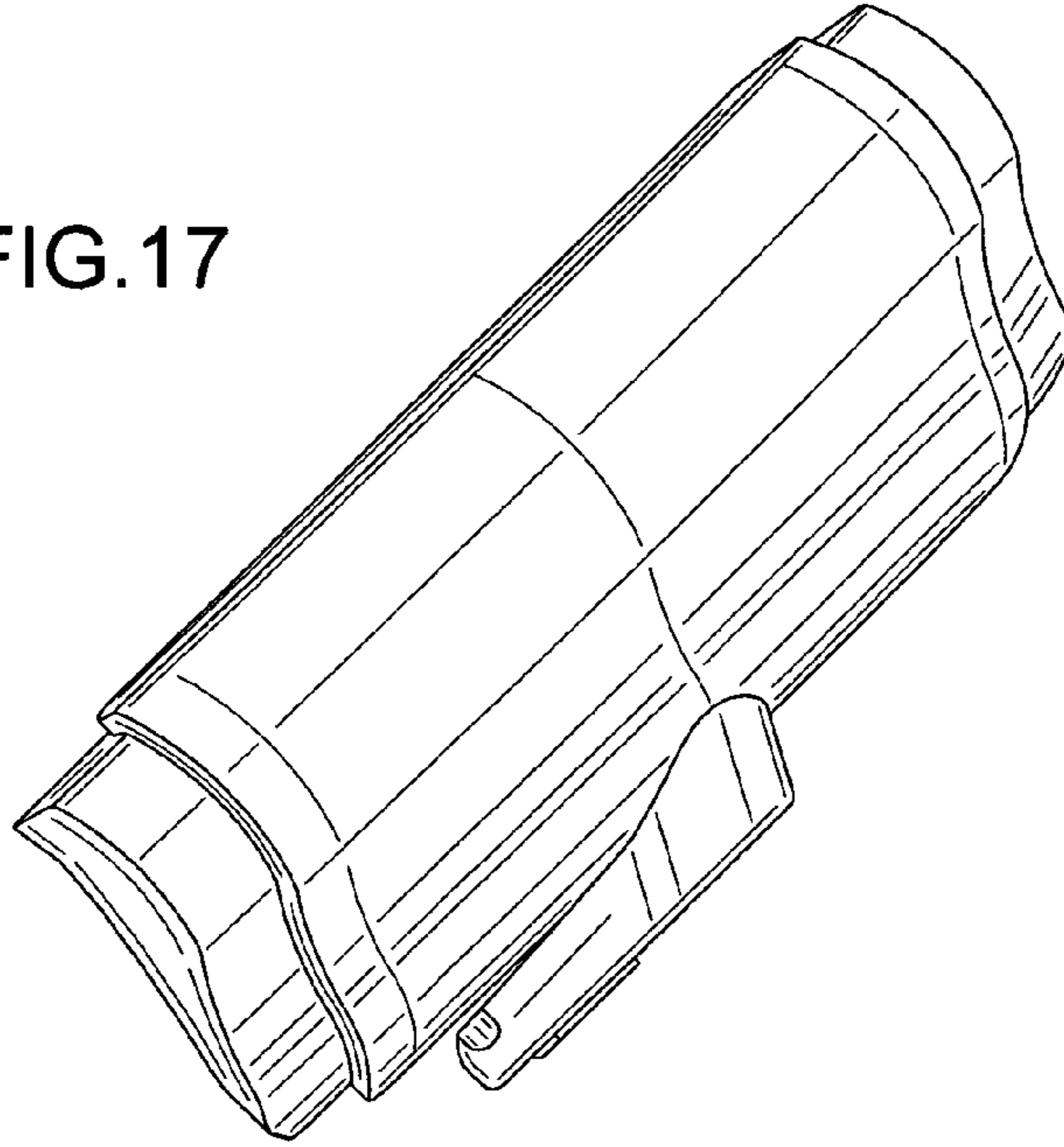


FIG.18

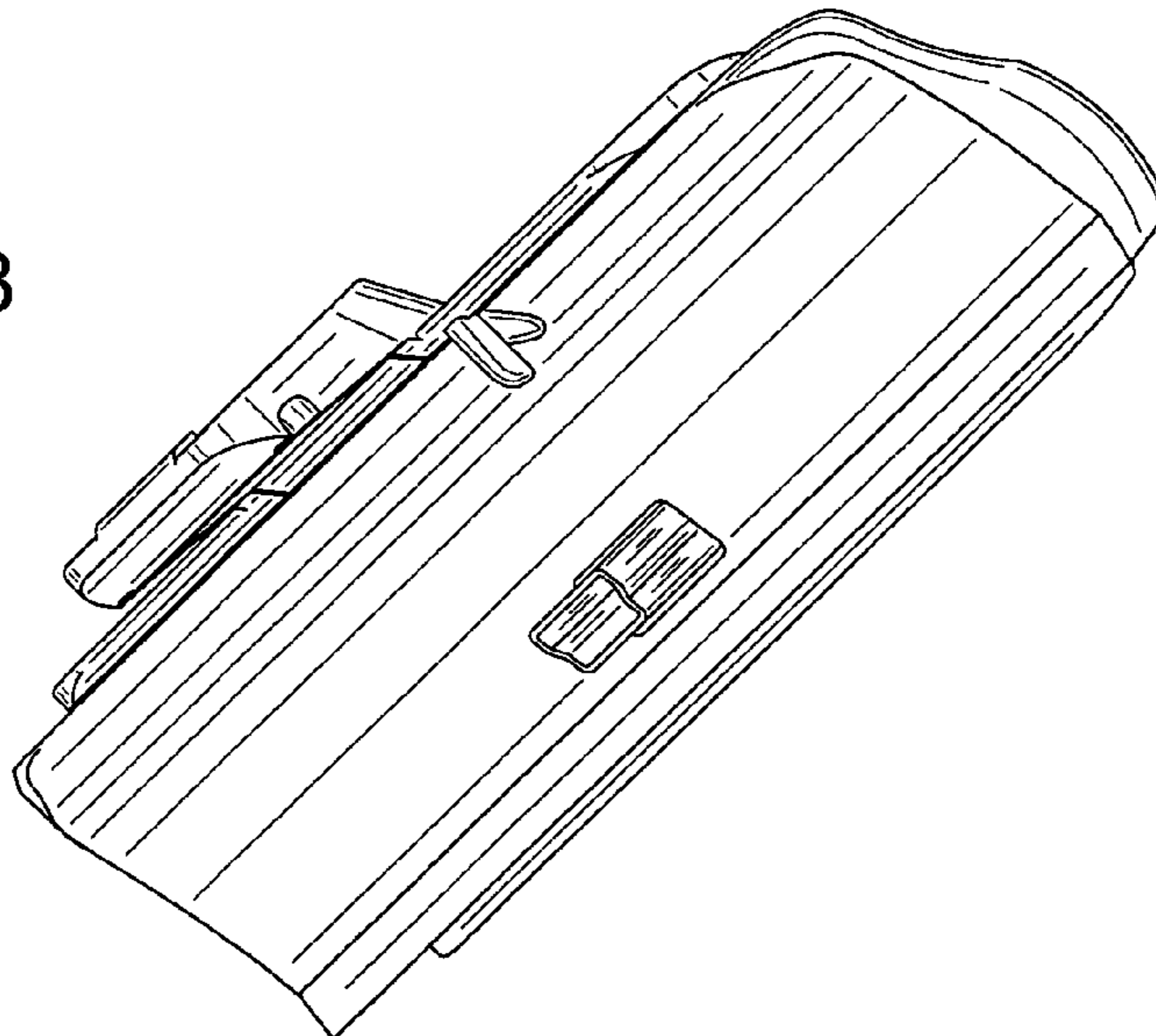


FIG.19

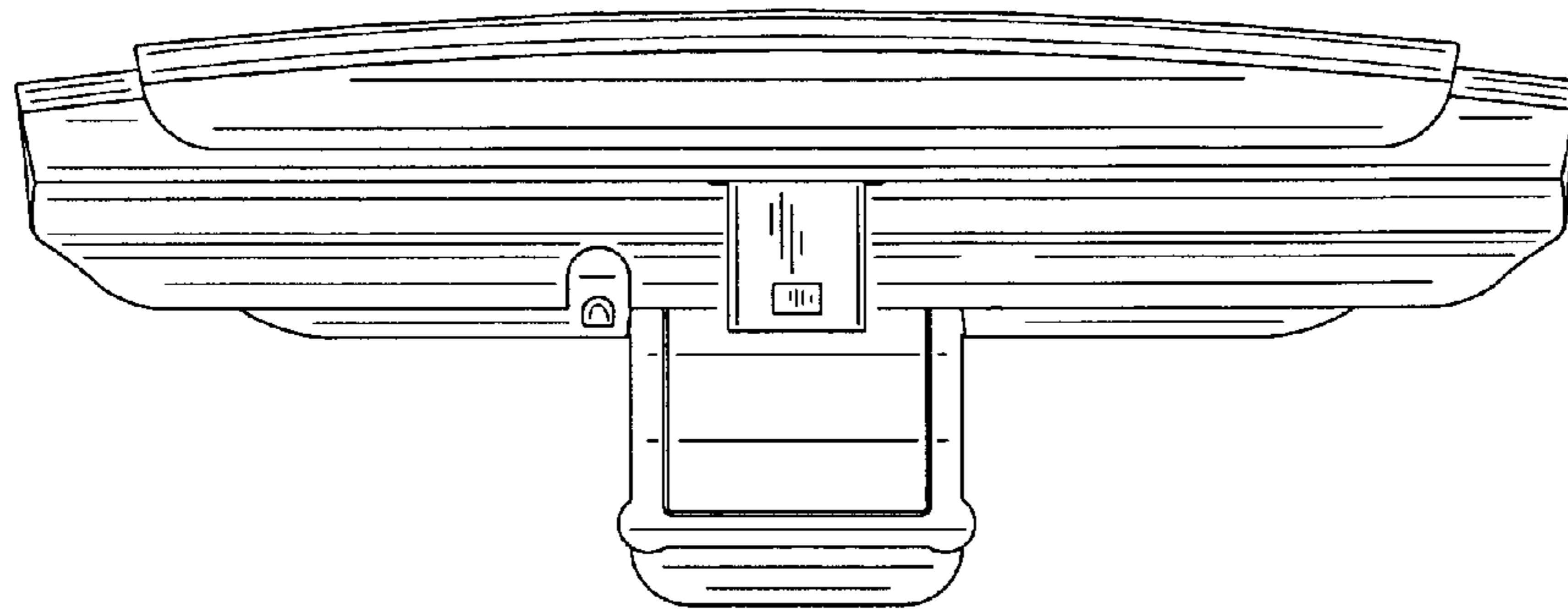


FIG.20

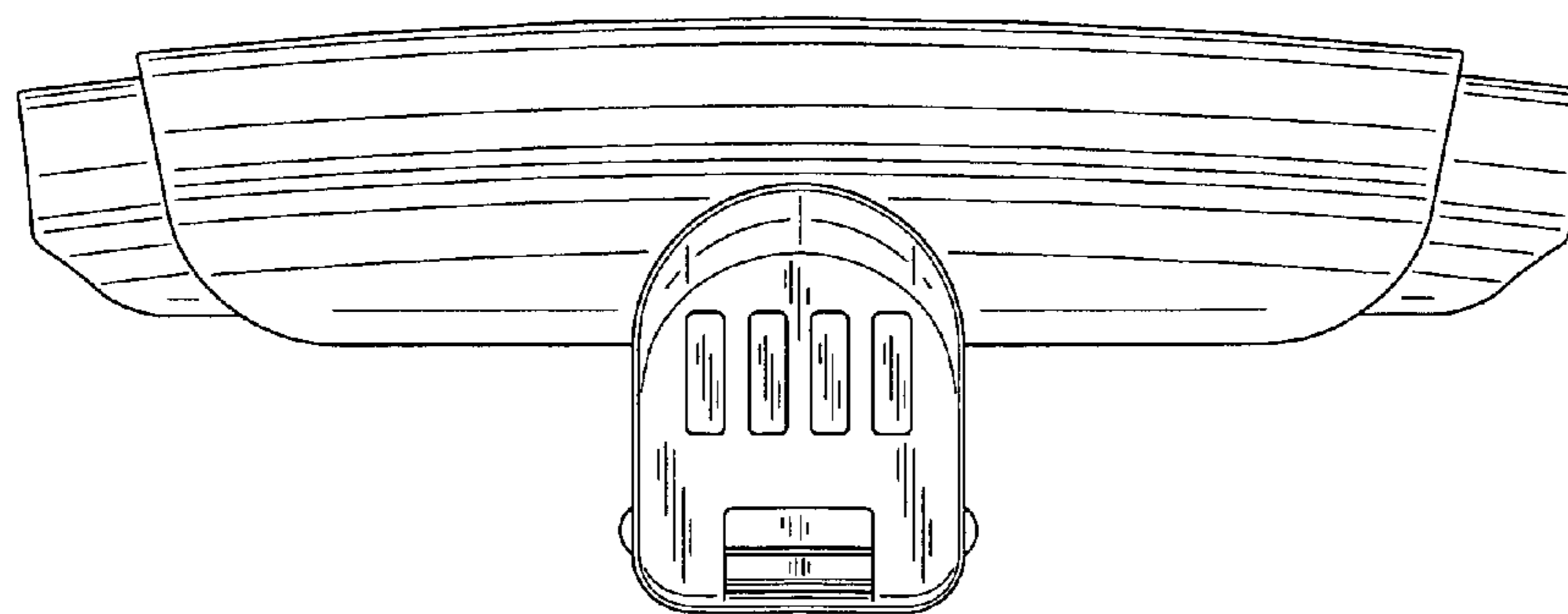


FIG.21

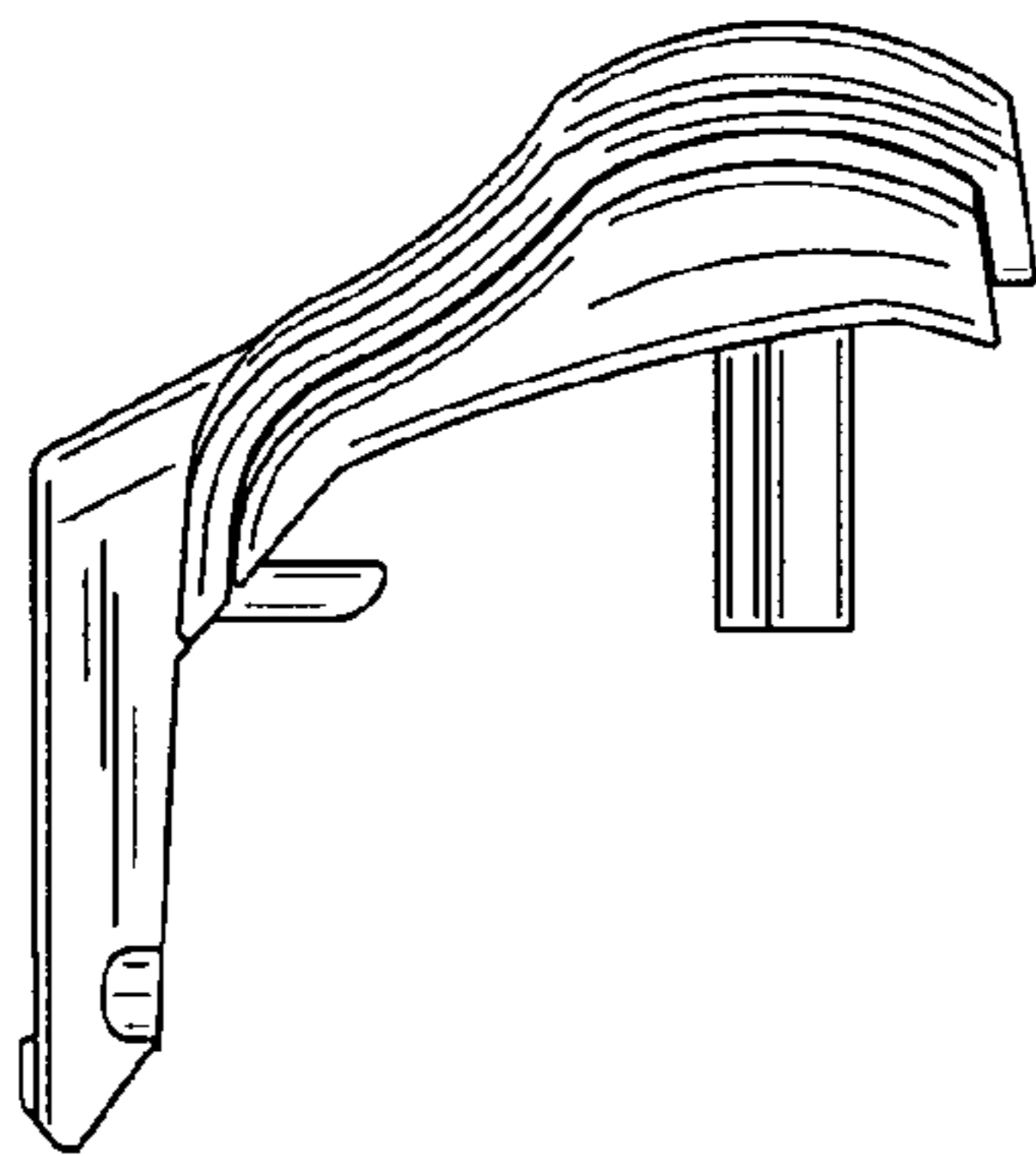


FIG.22

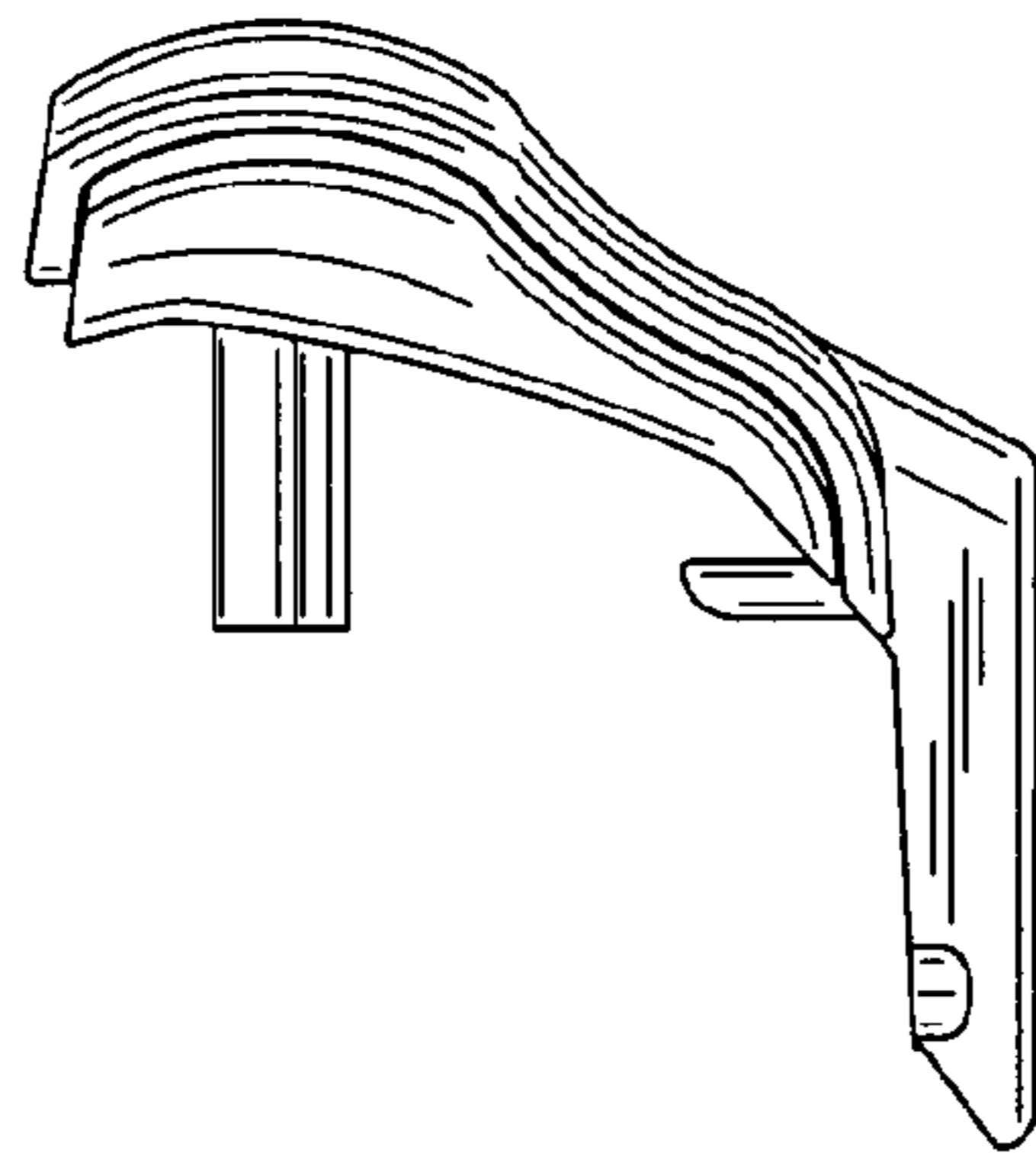


FIG.23

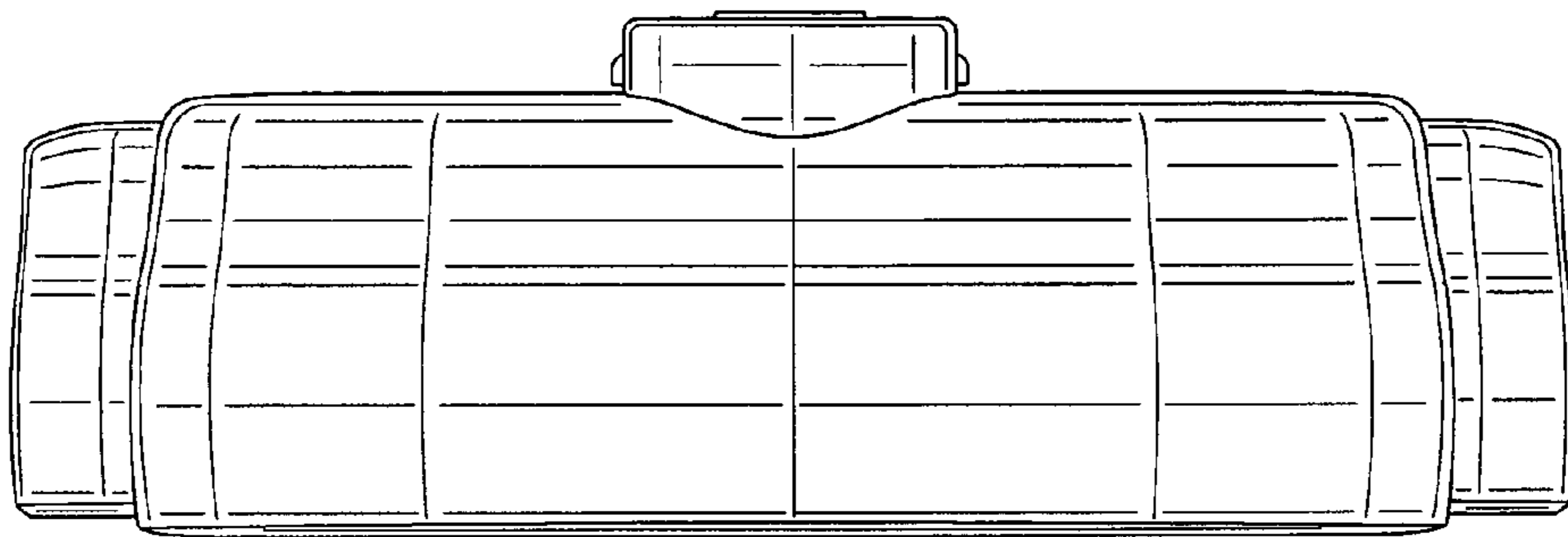


FIG.24

