



US00D708127S

(12) **United States Design Patent**
Secard

(10) **Patent No.:** **US D708,127 S**
(45) **Date of Patent:** **** Jul. 1, 2014**

(54) **FLOATING SOLAR HEATING DEVICE**

(56) **References Cited**

(71) Applicant: **Joe Secard**, Rancho Cucamonga, CA
(US)

U.S. PATENT DOCUMENTS

(72) Inventor: **Joe Secard**, Rancho Cucamonga, CA
(US)

3,957,537	A *	5/1976	Baskett et al.	136/251
D242,354	S *	11/1976	Schoenfelder	D13/102
D263,393	S *	3/1982	Lindmayer	D13/102
4,366,806	A *	1/1983	Acker	126/565
4,478,879	A *	10/1984	Baraona et al.	438/57
D283,836	S *	5/1986	Surber et al.	D13/102
D289,432	S *	4/1987	Vardey	D13/102
6,205,656	B1 *	3/2001	Adams et al.	29/840
D555,083	S *	11/2007	Sharma et al.	D13/102
D601,087	S *	9/2009	Feng et al.	D13/102
D667,371	S *	9/2012	Shimosawa et al.	D13/102
2004/0097012	A1 *	5/2004	Weber et al.	438/113
2010/0218756	A1 *	9/2010	Erez	126/566

(**) Term: **14 Years**

(21) Appl. No.: **29/479,595**

(22) Filed: **Jan. 17, 2014**

(51) **LOC (10) Cl.** **13-02**

* cited by examiner

(52) **U.S. Cl.**
USPC **D13/102**

Primary Examiner — Derrick Holland
(74) *Attorney, Agent, or Firm* — Sandy Lipkin

(58) **Field of Classification Search**
USPC D13/102, 101, 133, 182, 199; D5/6, 7,
D5/20, 24, 36, 37, 53, 55, 56, 57, 60, 61,
D5/63; D25/102, 106, 107, 108, 140, 157,
D25/158, 163; 126/561, 566, 569, 571;
136/243–247, 251, 252, 254, 256;
428/156, 213, 215, 220, 542.2, 542.6,
428/919

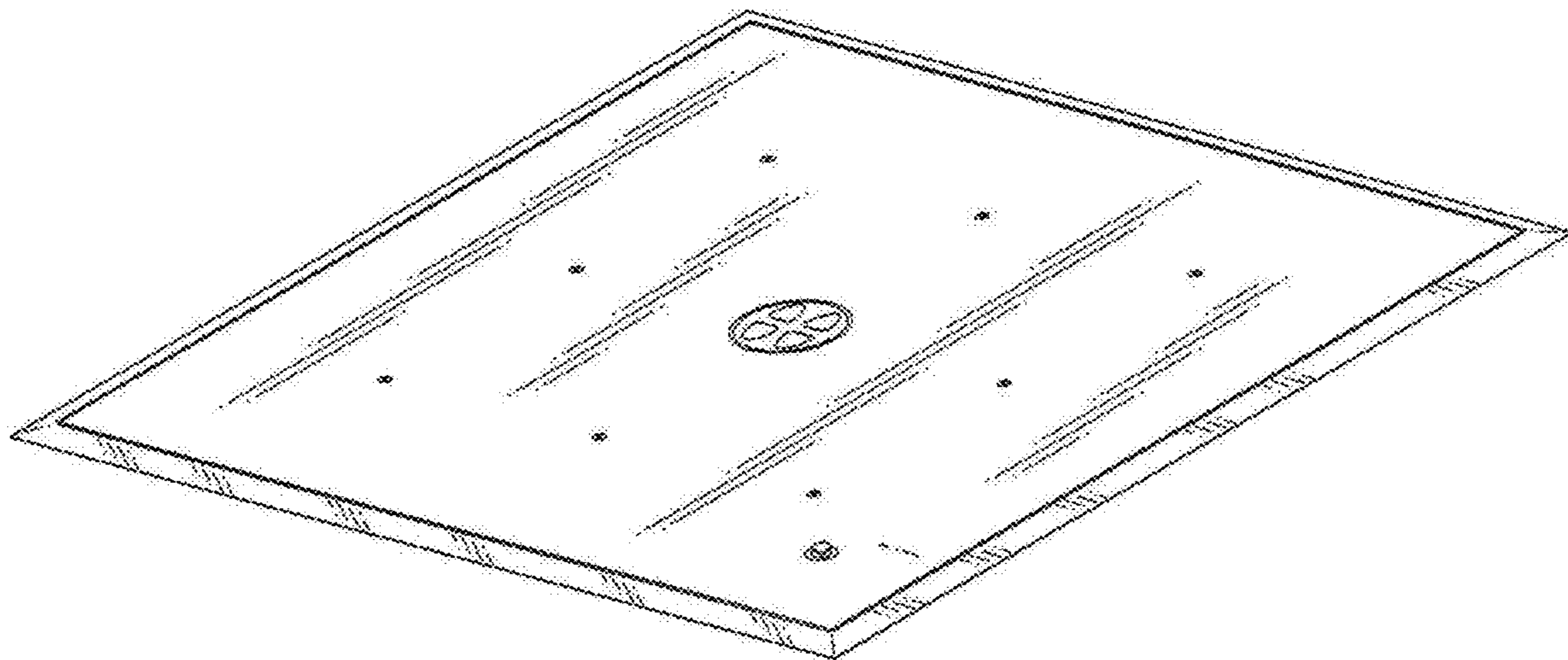
(57) **CLAIM**
The ornamental design for a floating solar heating device, as shown and described.

DESCRIPTION

FIG. 1 is a perspective view of a floating solar heating device. FIG. 2 is a top view of the floating solar heating device. FIG. 3 is a side view of the floating solar heating device; and, FIG. 4 is a bottom view of the floating solar heating device.

See application file for complete search history.

1 Claim, 3 Drawing Sheets



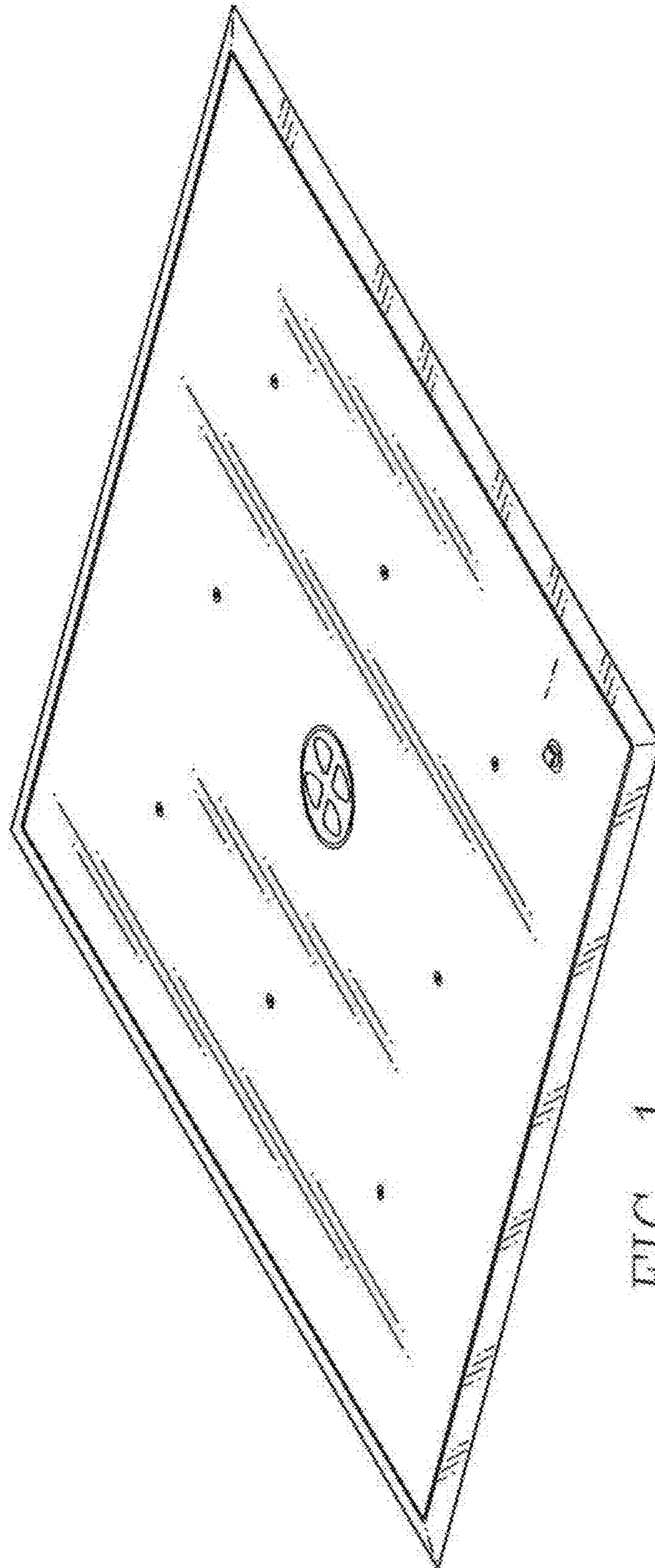


FIG. 1

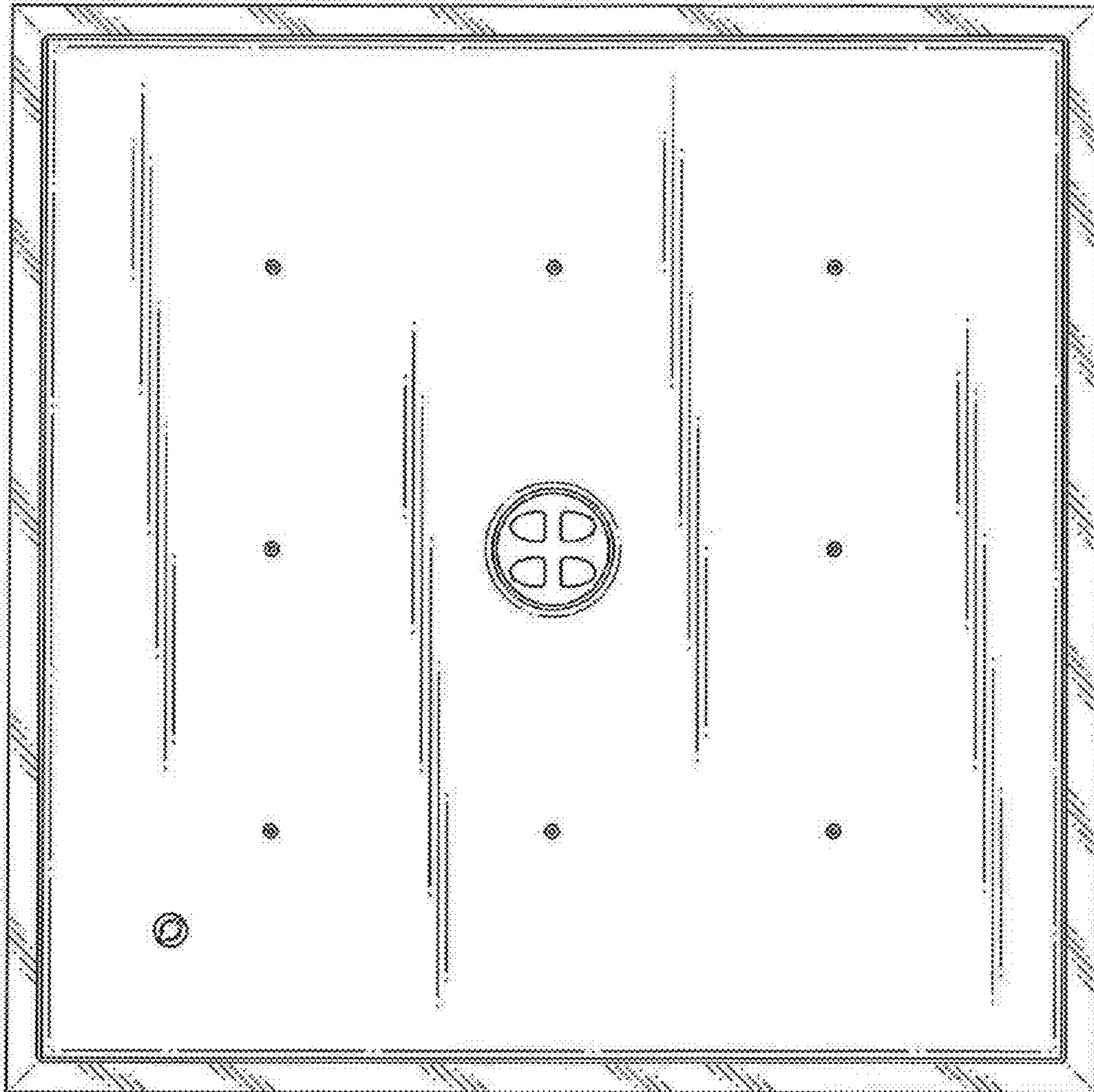


FIG. 2

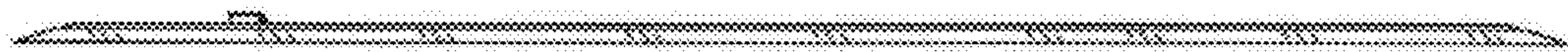


FIG. 3

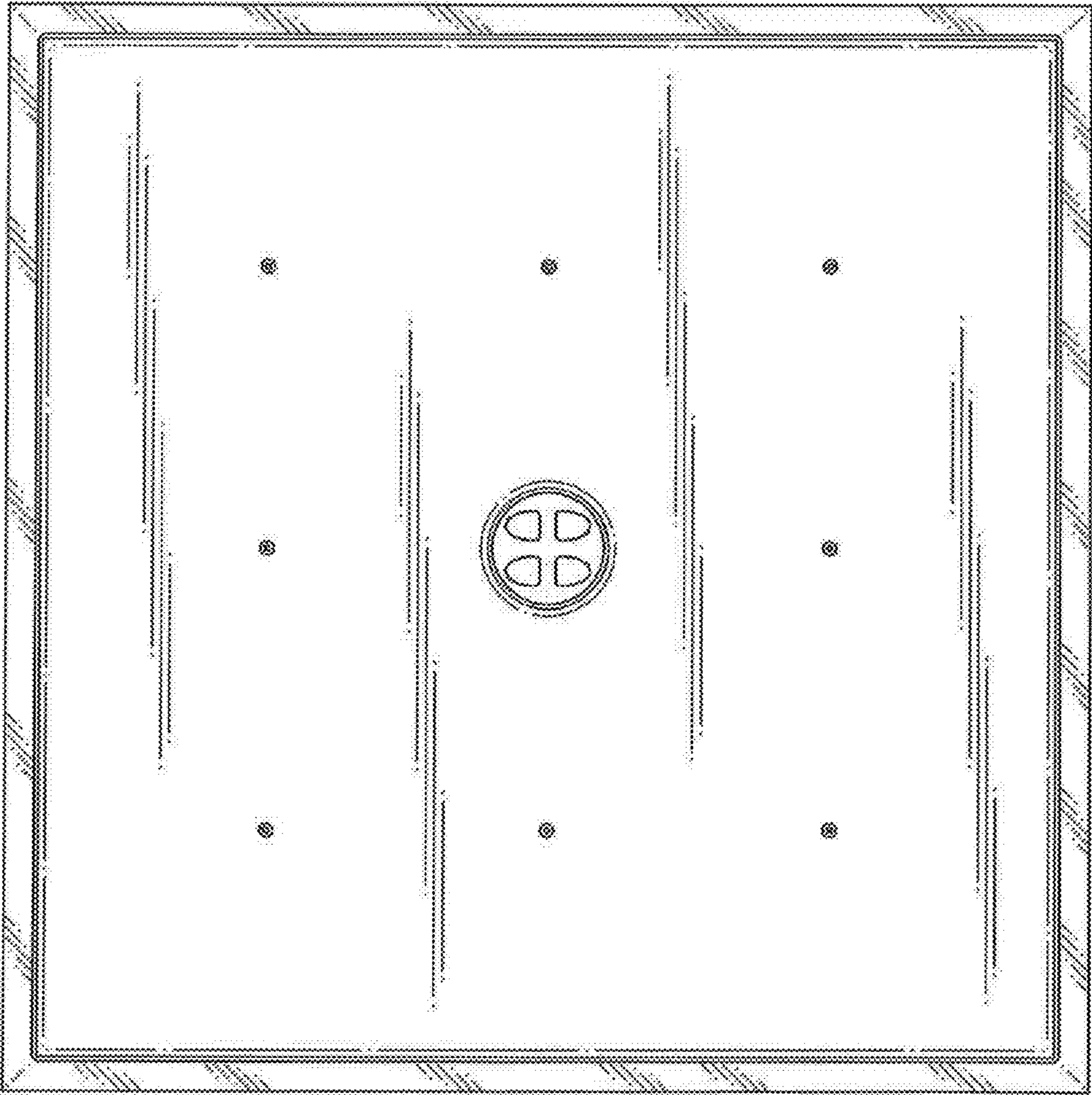


FIG. 4