



US00D708124S

(12) **United States Design Patent**  
**Ilzhoefner**

(10) **Patent No.:** **US D708,124 S**

(45) **Date of Patent:** **\*\* Jul. 1, 2014**

(54) **POSITIONING SUPPORT FOR  
PHOTOVOLTAIC MODULE**

(71) Applicant: **Werner Ilzhoefner**, Hassfurt (DE)

(72) Inventor: **Werner Ilzhoefner**, Hassfurt (DE)

(\*\*) Term: **14 Years**

(21) Appl. No.: **29/442,963**

(22) Filed: **Jun. 21, 2013**

(30) **Foreign Application Priority Data**

Dec. 21, 2012 (EM) ..... 002158600

(51) **LOC (10) Cl.** ..... **13-02**

(52) **U.S. Cl.**  
USPC ..... **D13/102**

(58) **Field of Classification Search**  
USPC ..... D13/102, 118, 184, 199; D6/449, 512,  
D6/519, 540, 574; D8/349, 353, 354, 364,  
D8/380, 381, 382; 126/621-623, 704, 904;  
136/243, 244, 251, 252, 256  
See application file for complete search history.

(56) **References Cited**

**U.S. PATENT DOCUMENTS**

4,226,256 A \* 10/1980 Hawley ..... 136/244  
D510,315 S \* 10/2005 Shugar et al. .... D13/102

6,968,654 B2 \* 11/2005 Moulder et al. .... 52/173.3  
D519,444 S \* 4/2006 Mascolo ..... D13/102  
D547,262 S \* 7/2007 Ullman ..... D13/102  
D631,431 S \* 1/2011 DeFelice ..... D13/102  
2004/0154655 A1 \* 8/2004 Tanaka ..... 136/244

\* cited by examiner

*Primary Examiner* — Derrick Holland

(74) *Attorney, Agent, or Firm* — Manabu Kanesaka

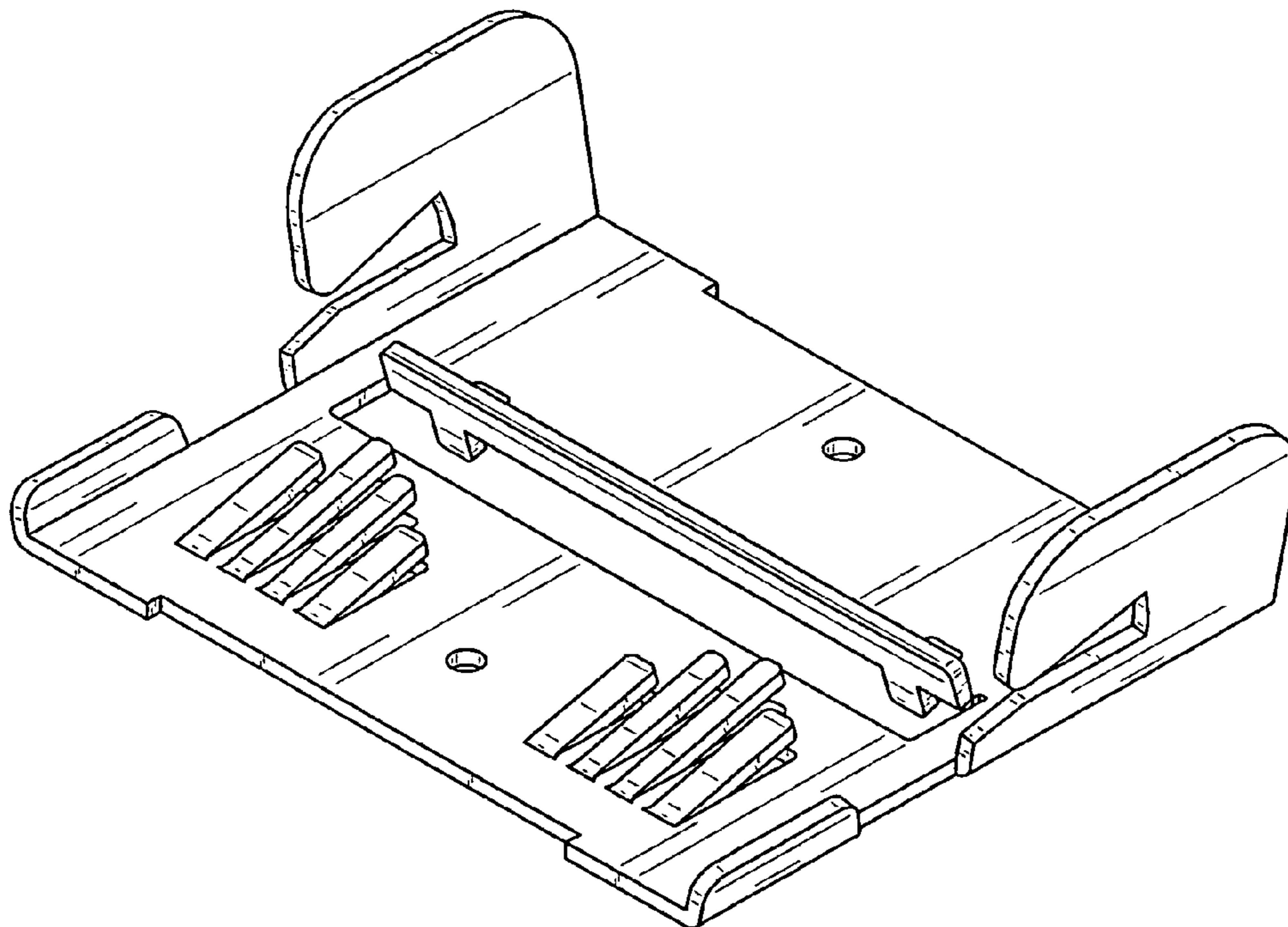
(57) **CLAIM**

The ornamental design for a positioning support for a photo-voltaic module, as shown and described.

**DESCRIPTION**

FIG. 1 is a perspective view from a top side of a positioning support for a photovoltaic module showing my new design; FIG. 2 is another perspective view from the top side thereof; FIG. 3 is a perspective view from a bottom side thereof; FIG. 4 is another perspective view from the bottom side thereof; FIG. 5 is a top plan view thereof; FIG. 6 is a bottom plan view thereof; FIG. 7 is a front view thereof; FIG. 8 is a rear view thereof; FIG. 9 is a right side view thereof; and, FIG. 10 is a left side view thereof.

**1 Claim, 10 Drawing Sheets**



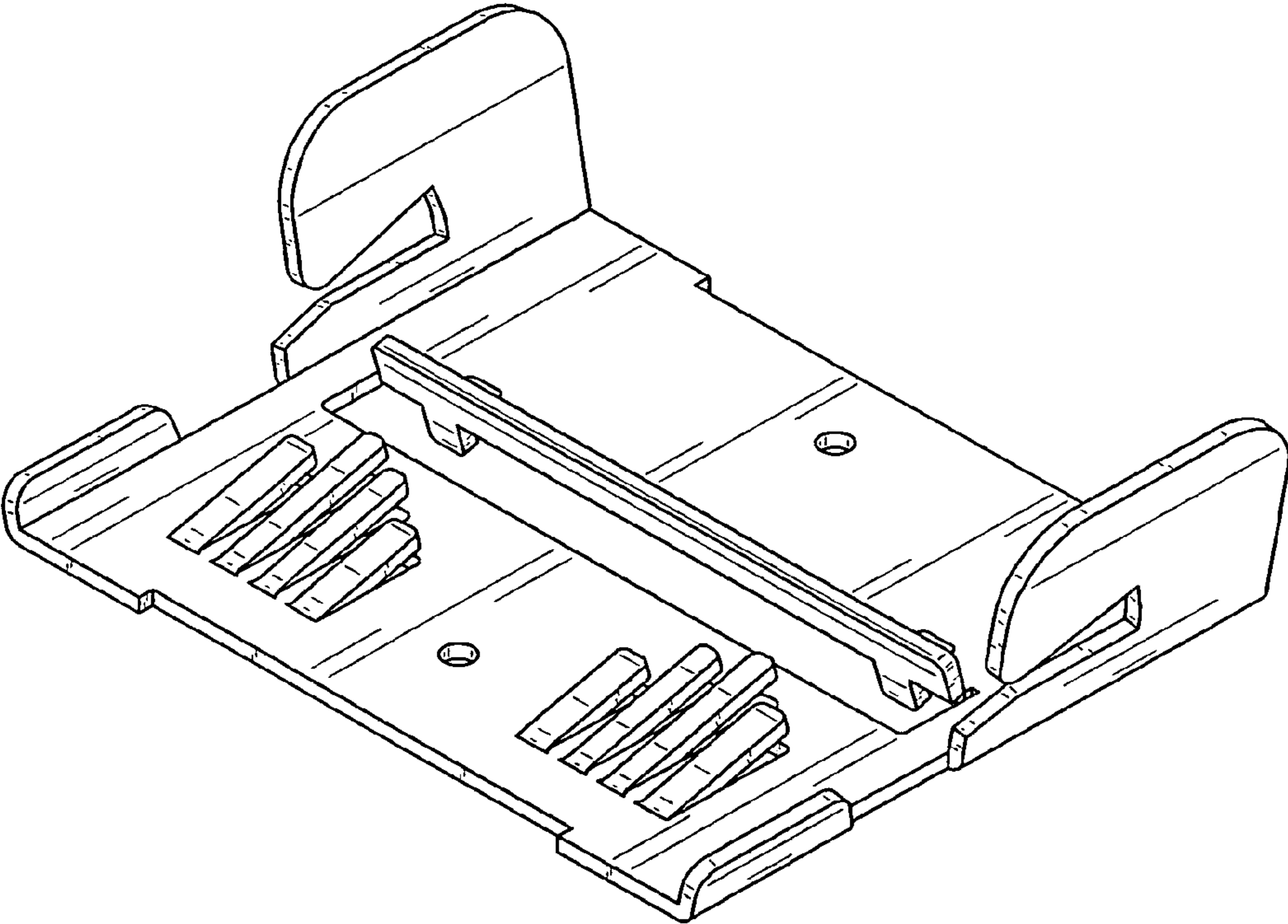


FIG. 1

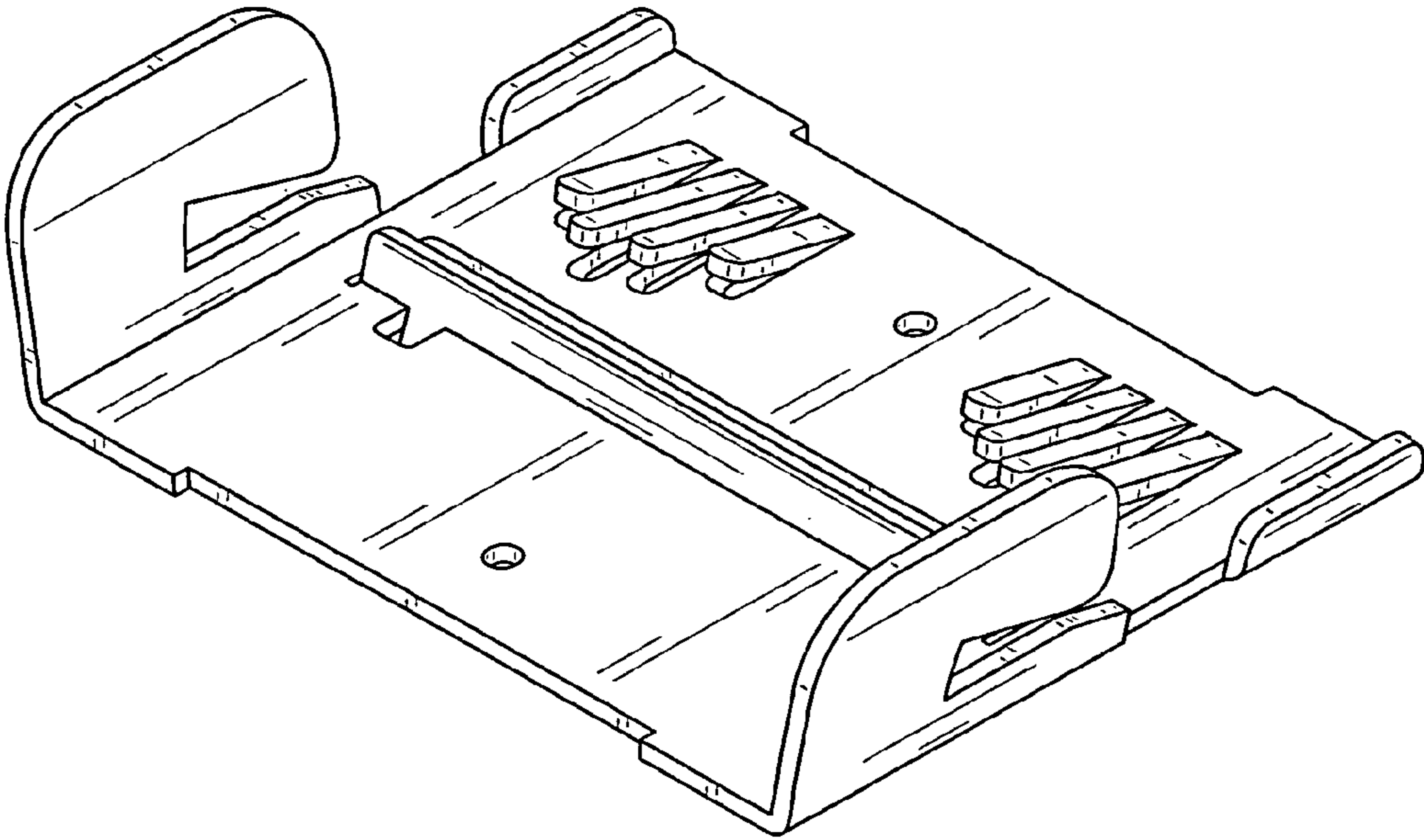


FIG. 2

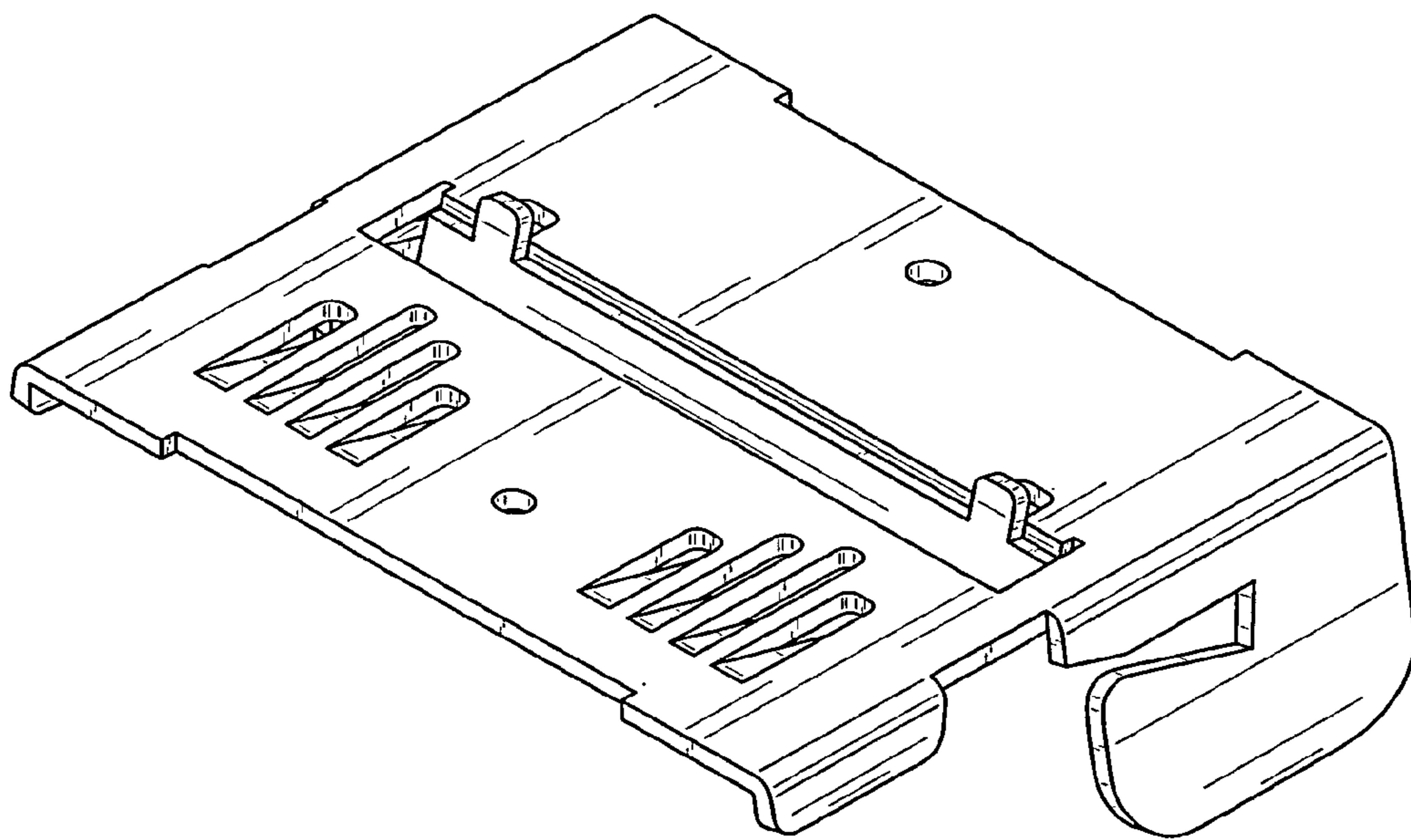


FIG. 3

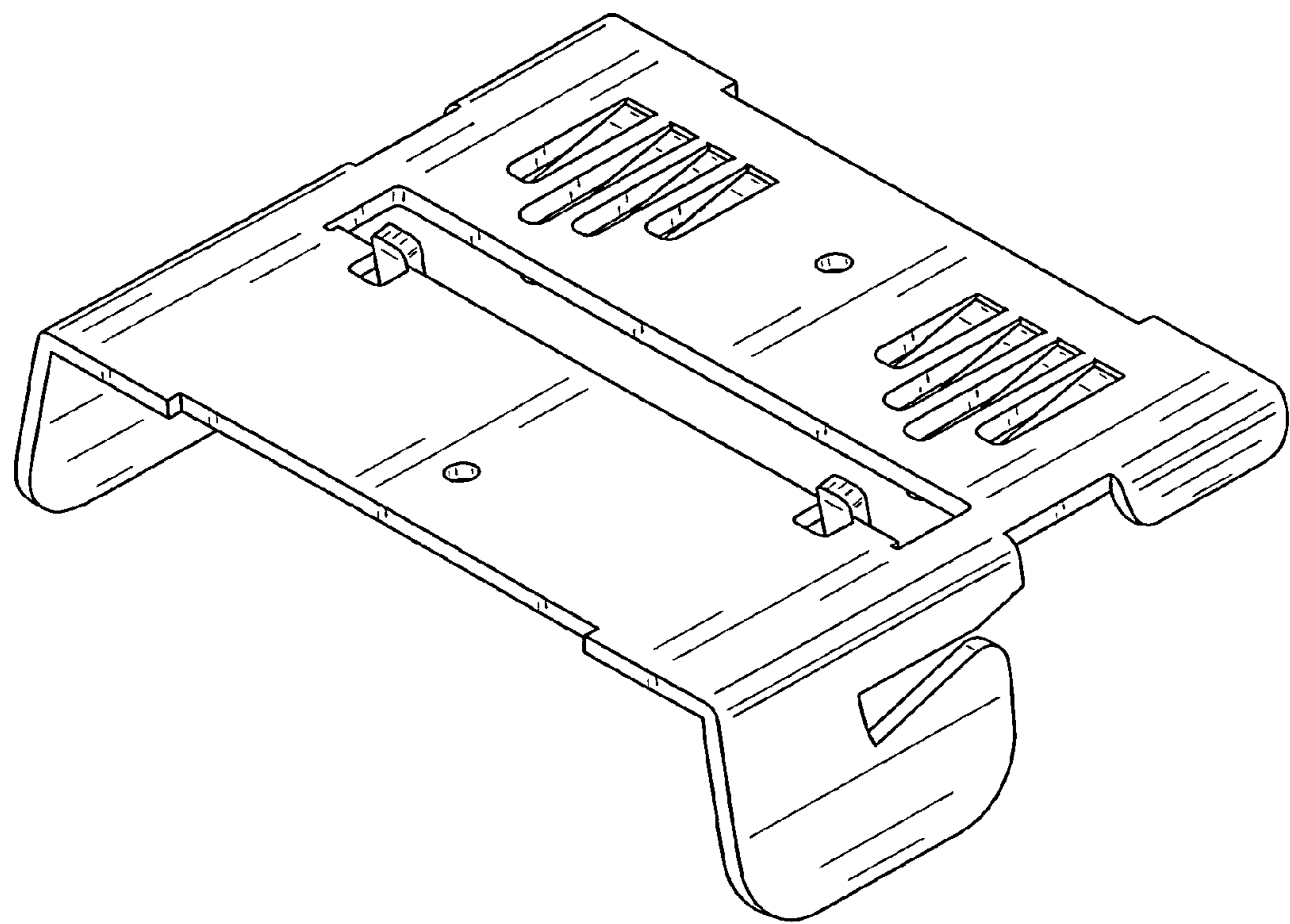


FIG. 4

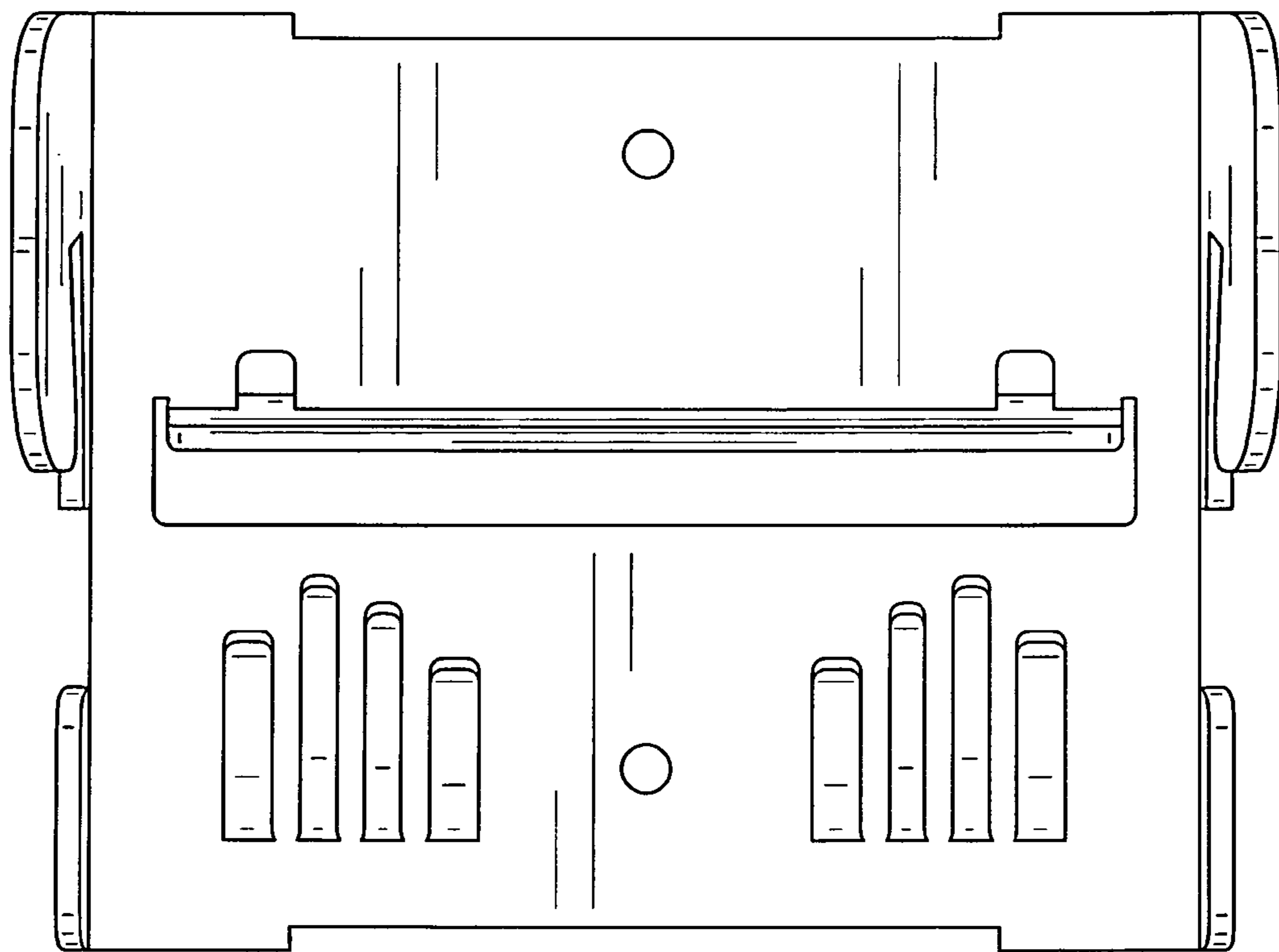


FIG. 5

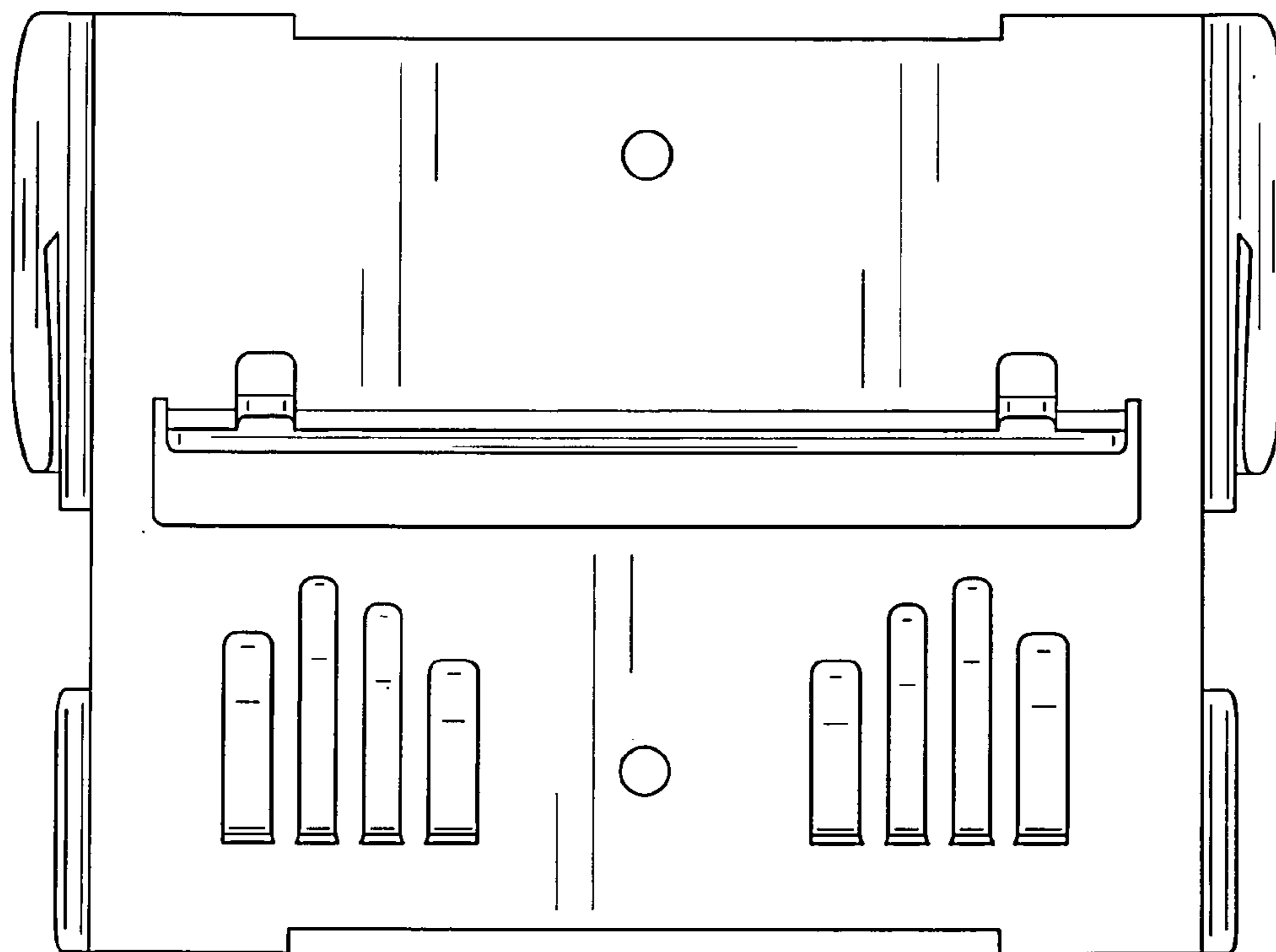


FIG. 6

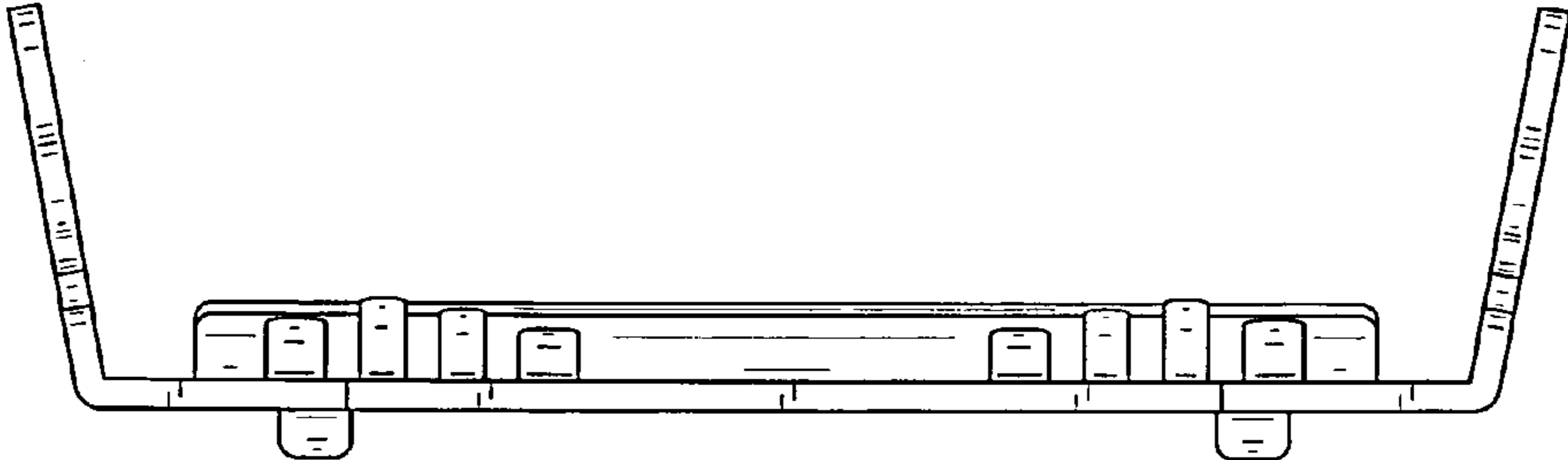


FIG. 7



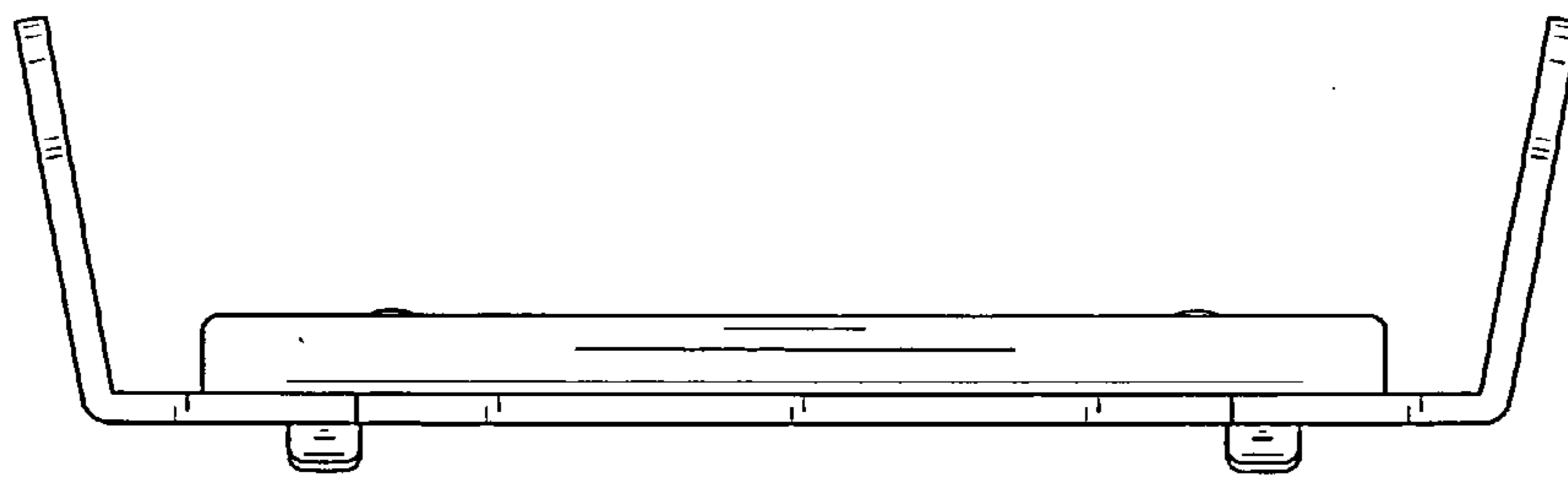


FIG. 8

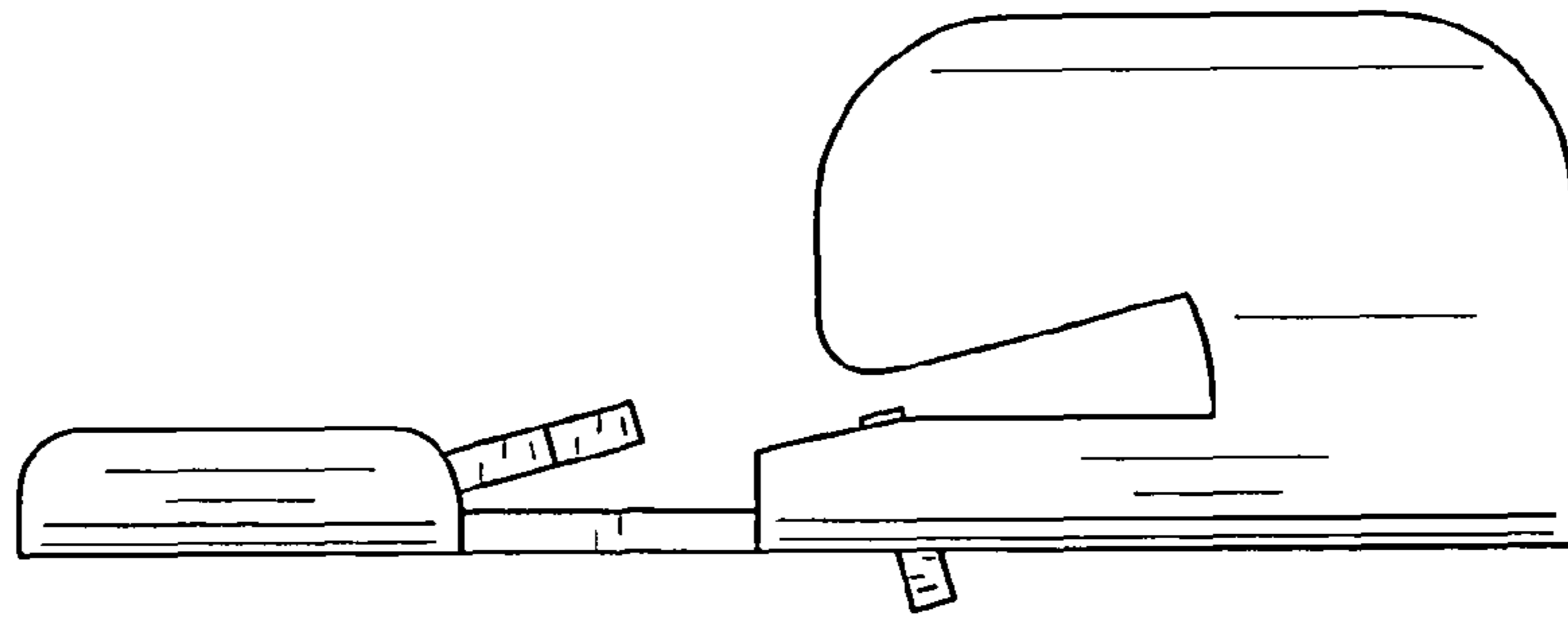


FIG. 9

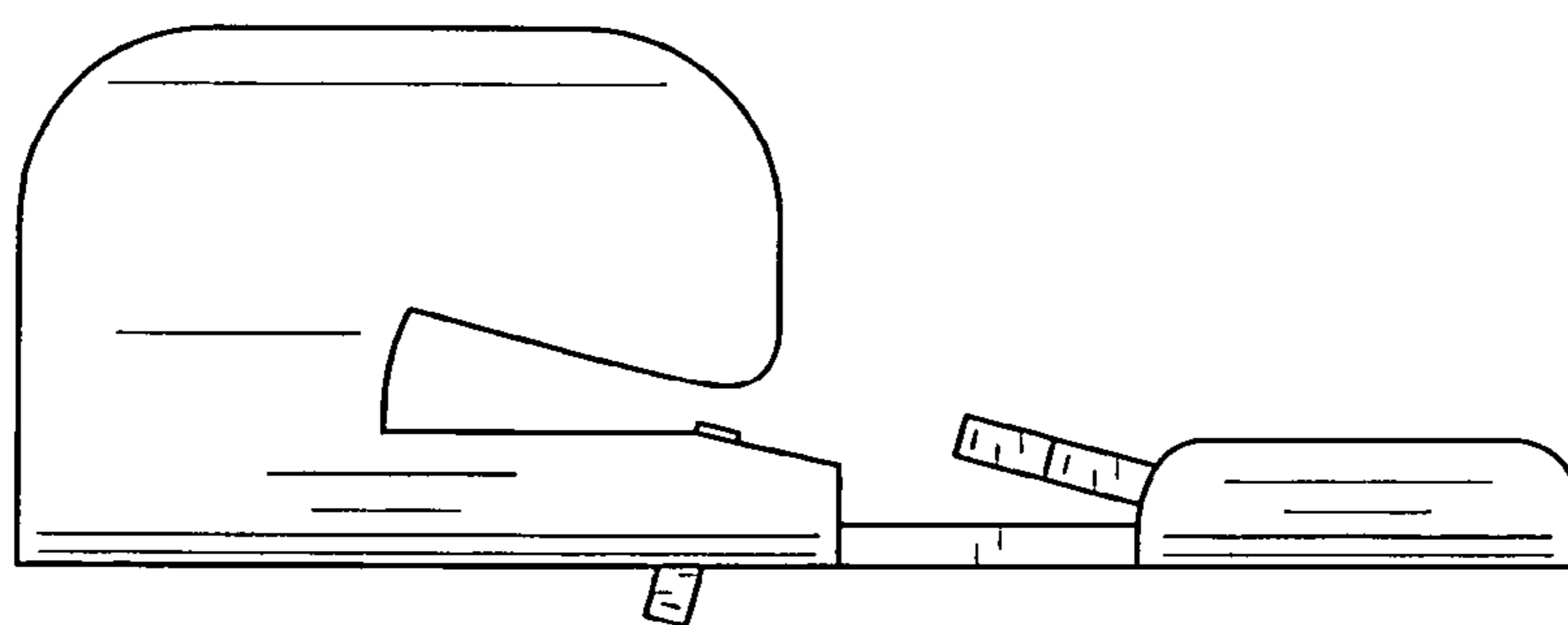


FIG. 10