



US00D708123S

(12) **United States Design Patent**
Ilzhoefner

(10) **Patent No.:** **US D708,123 S**

(45) **Date of Patent:** **** Jul. 1, 2014**

(54) **POSITIONING SUPPORT FOR PHOTOVOLTAIC MODULE**

(71) Applicant: **Werner Ilzhoefner**, Hassfurt (DE)

(72) Inventor: **Werner Ilzhoefner**, Hassfurt (DE)

(**) Term: **14 Years**

(21) Appl. No.: **29/442,962**

(22) Filed: **Jun. 21, 2013**

(30) **Foreign Application Priority Data**

Dec. 21, 2012 (EM) 002158600

(51) **LOC (10) Cl.** **13-02**

(52) **U.S. Cl.**
USPC **D13/102**

(58) **Field of Classification Search**
USPC D13/102, 118, 184, 199; D6/449, 512,
D6/519, 540, 574; D8/349, 353, 354, 364,
D8/380, 381, 382; 126/621-623, 704, 904;
136/243, 244, 251, 252, 256
See application file for complete search history.

(56) **References Cited**

U.S. PATENT DOCUMENTS

4,226,256 A * 10/1980 Hawley 136/244
D510,315 S * 10/2005 Shugar et al. D13/102

6,968,654 B2 * 11/2005 Moulder et al. 52/173.3
D519,444 S * 4/2006 Mascolo D13/102
D547,262 S * 7/2007 Ullman D13/102
D631,431 S * 1/2011 DeFelice D13/102
2004/0154655 A1 * 8/2004 Tanaka 136/244

* cited by examiner

Primary Examiner — Derrick Holland

(74) *Attorney, Agent, or Firm* — Manabu Kanesaka

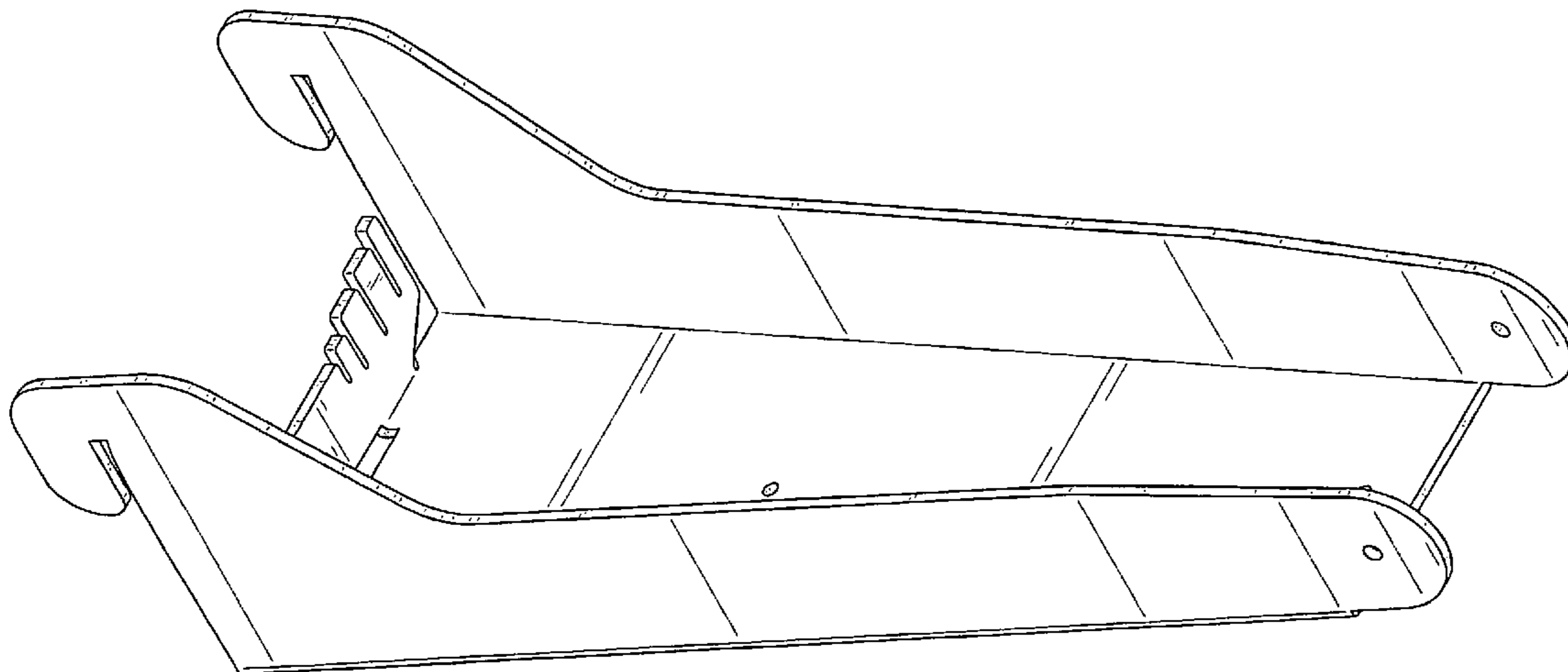
(57) **CLAIM**

The ornamental design for a positioning support for photovoltaic module, as shown and described.

DESCRIPTION

FIG. 1 is a perspective view from a top side of a positioning support for photovoltaic module showing my new design; FIG. 2 is another perspective view from the top side thereof; FIG. 3 is a perspective view from a bottom side thereof; FIG. 4 is another perspective view from the bottom side thereof; FIG. 5 is a front view thereof, a rear view being symmetrical to the front view; FIG. 6 is a top plan view thereof; FIG. 7 is a bottom plan view thereof; FIG. 8 is a right side view thereof; and, FIG. 9 is a left side view thereof.

1 Claim, 9 Drawing Sheets



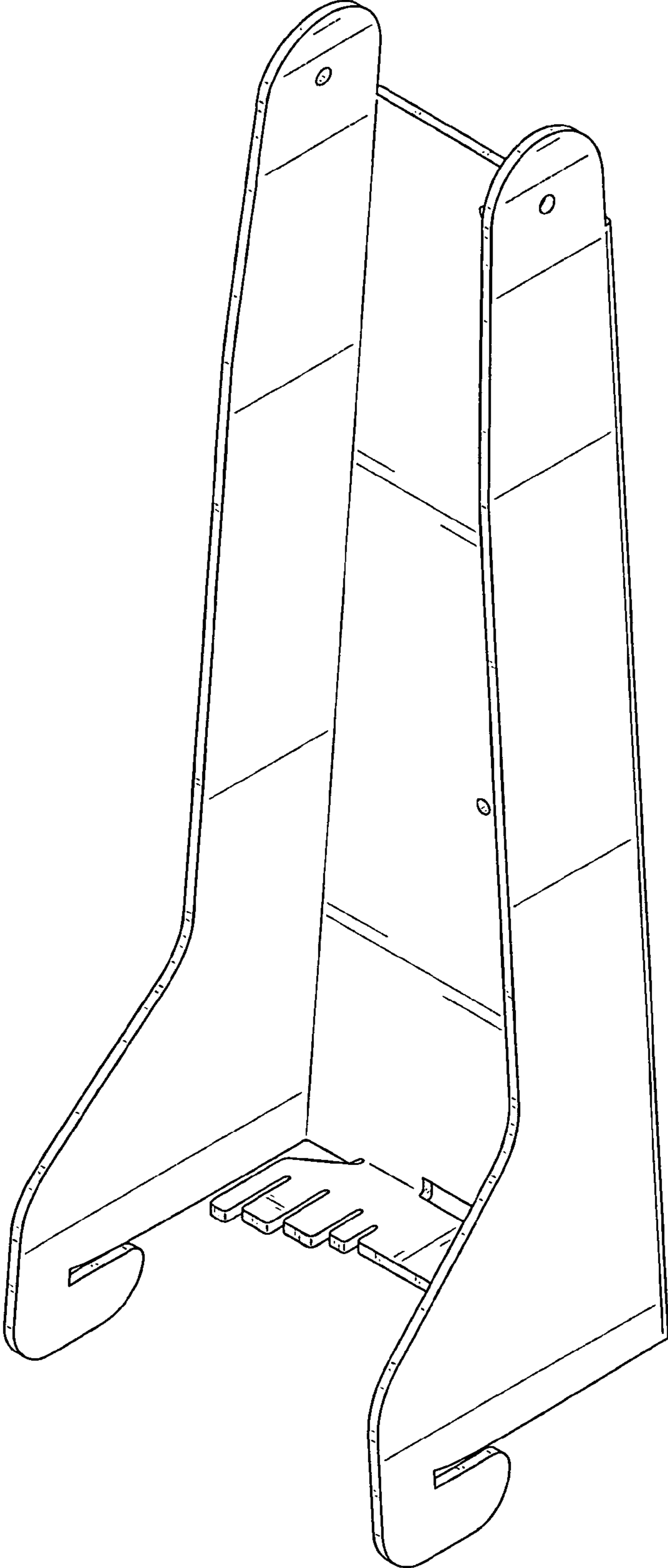


FIG. 1

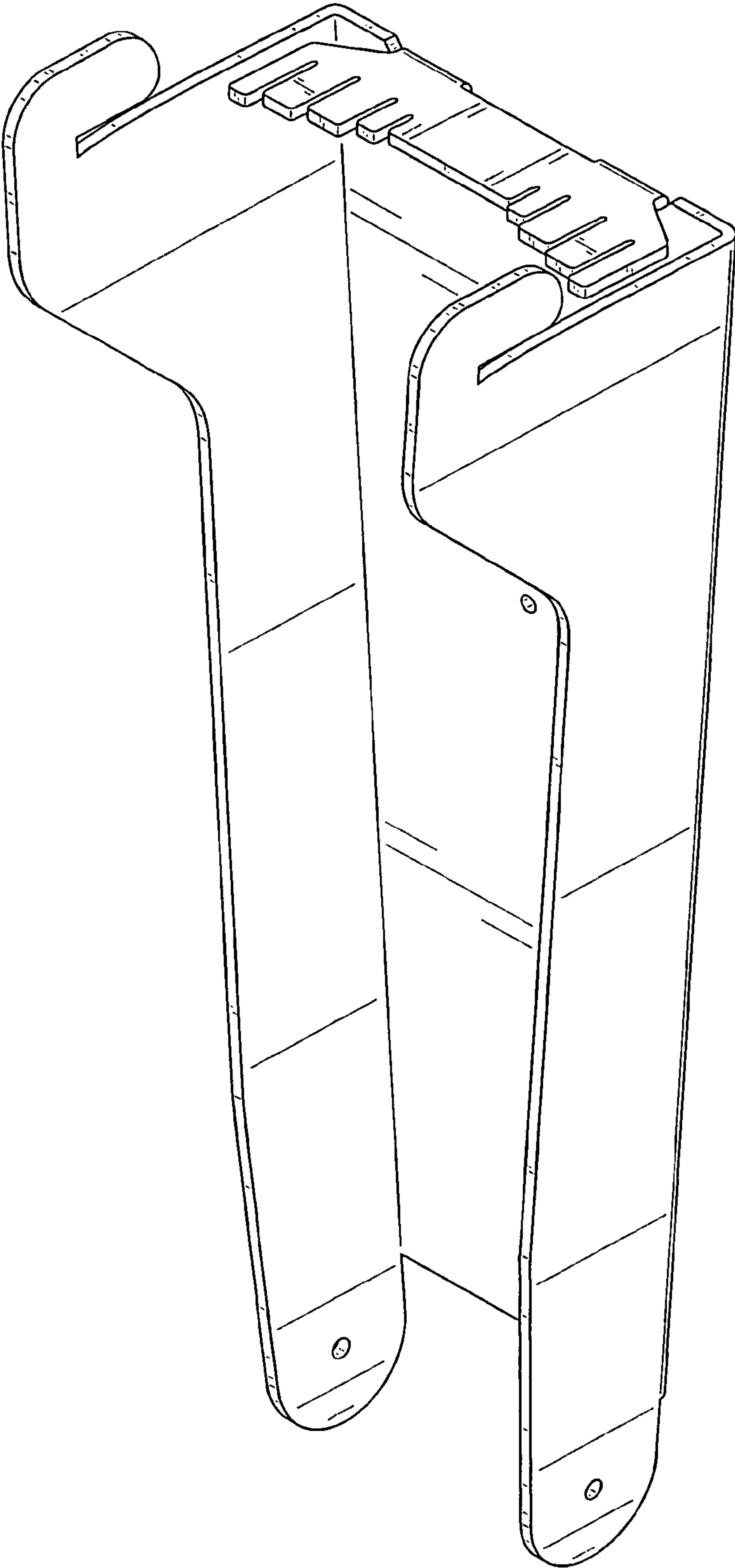


FIG. 2

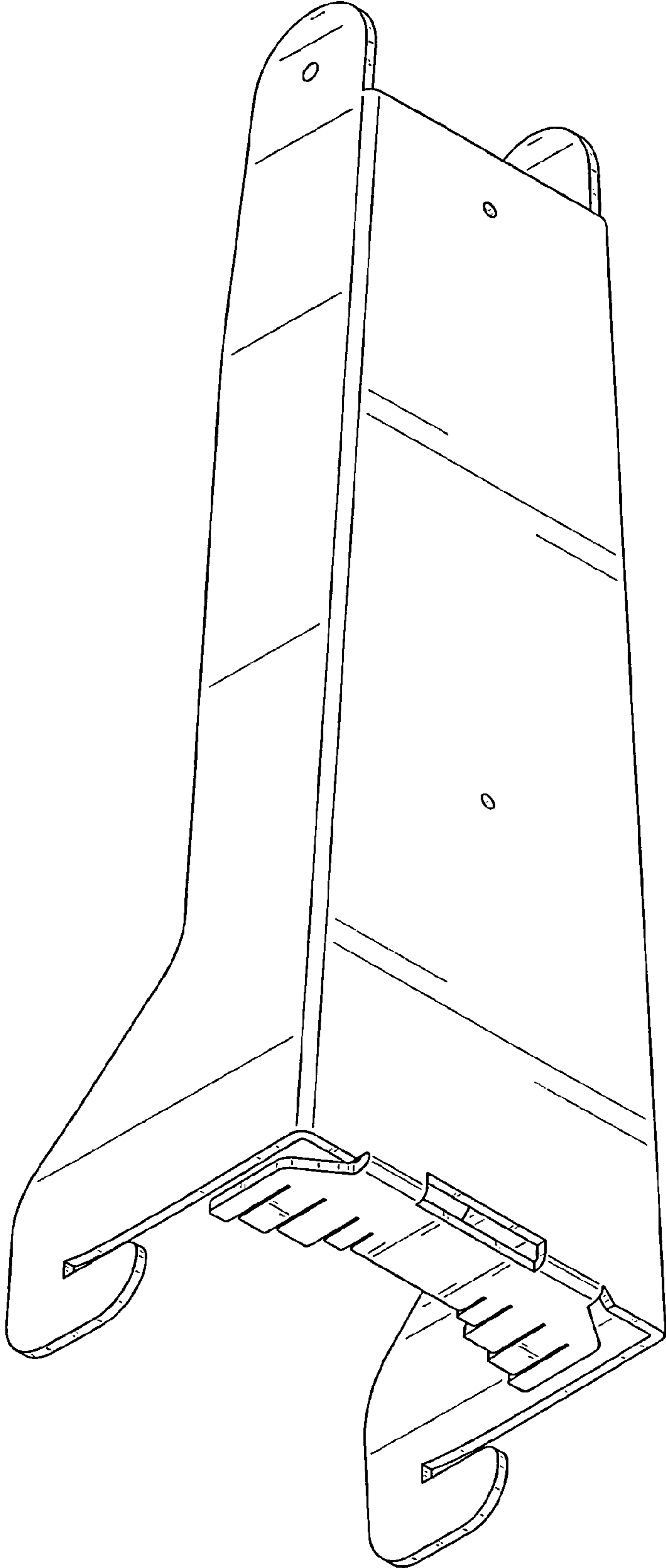


FIG. 3

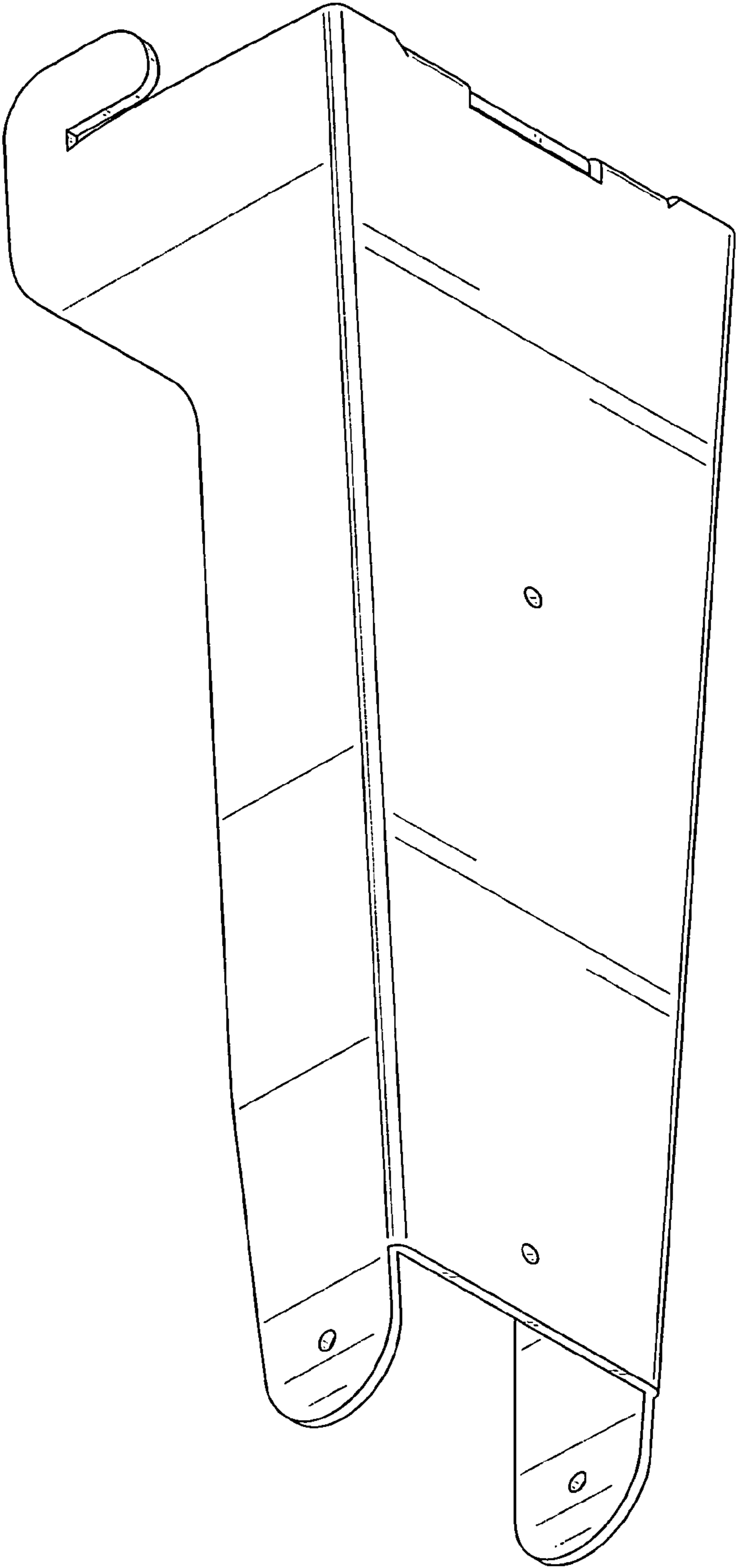


FIG. 4

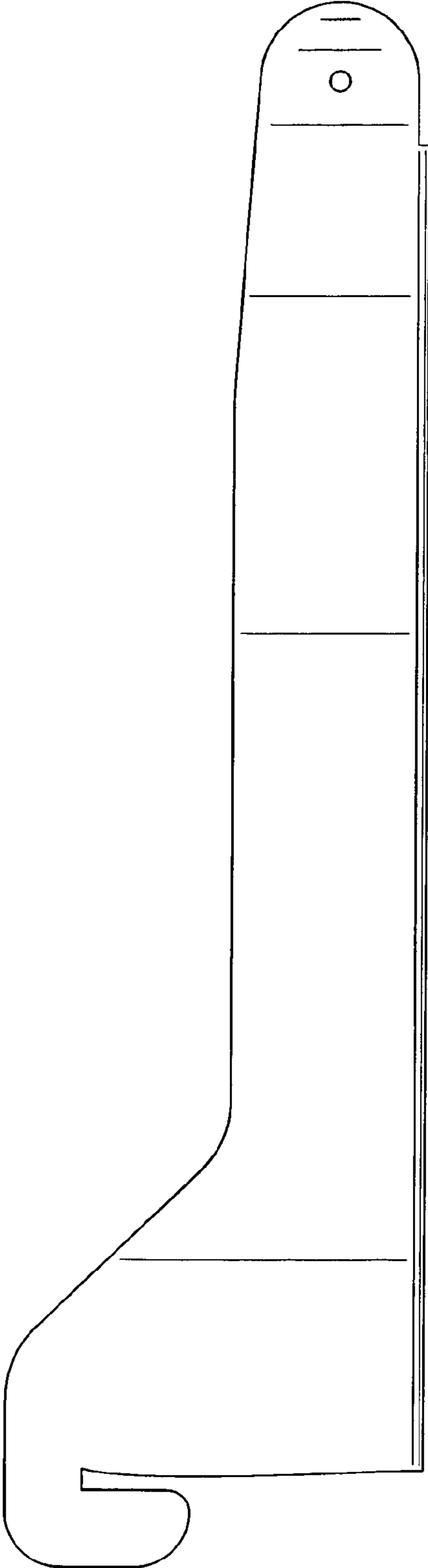


FIG. 5

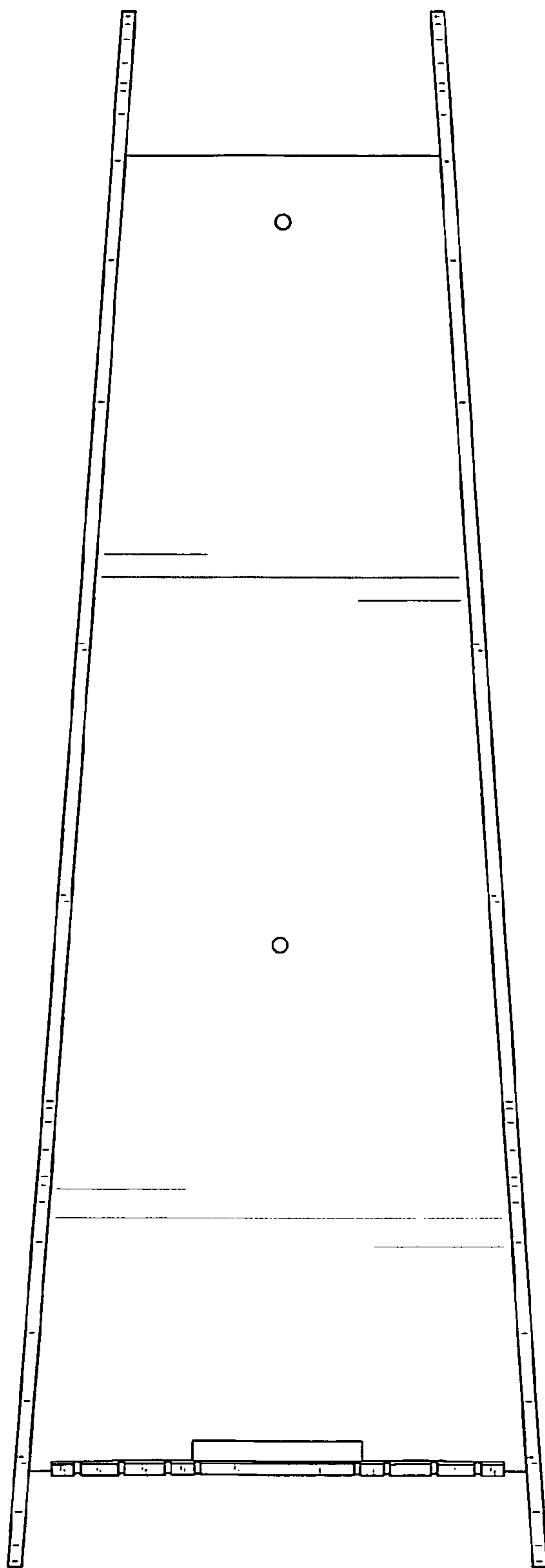


FIG. 6

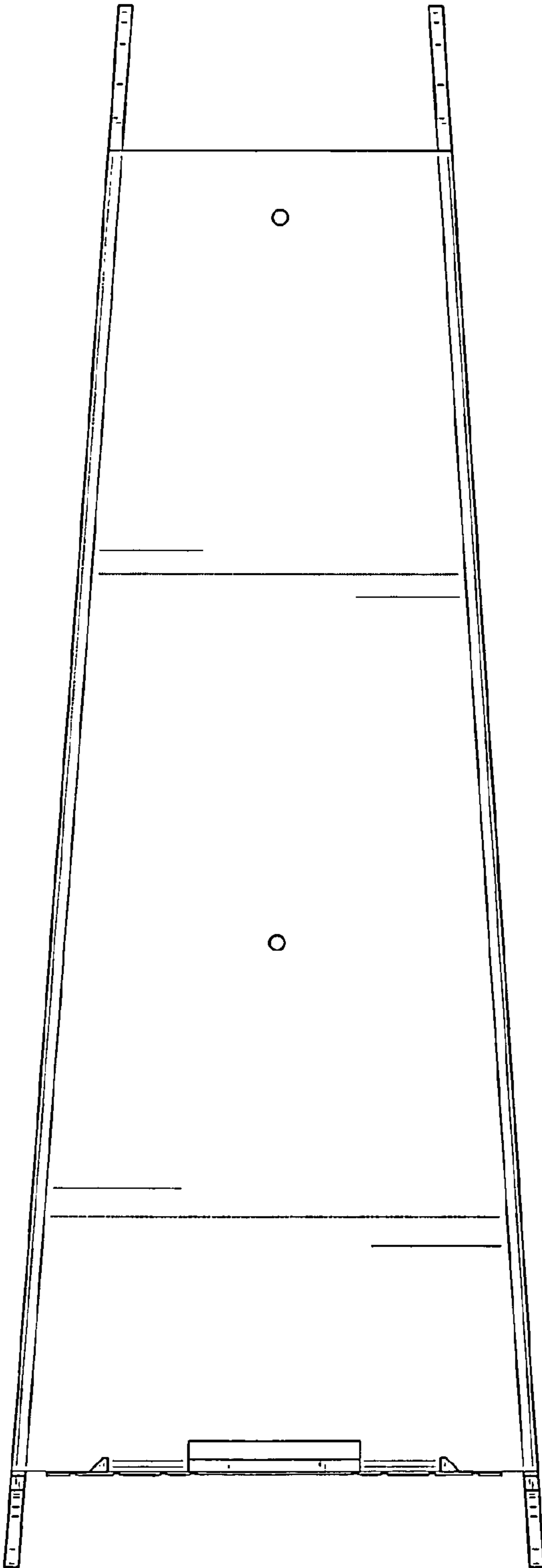


FIG. 7

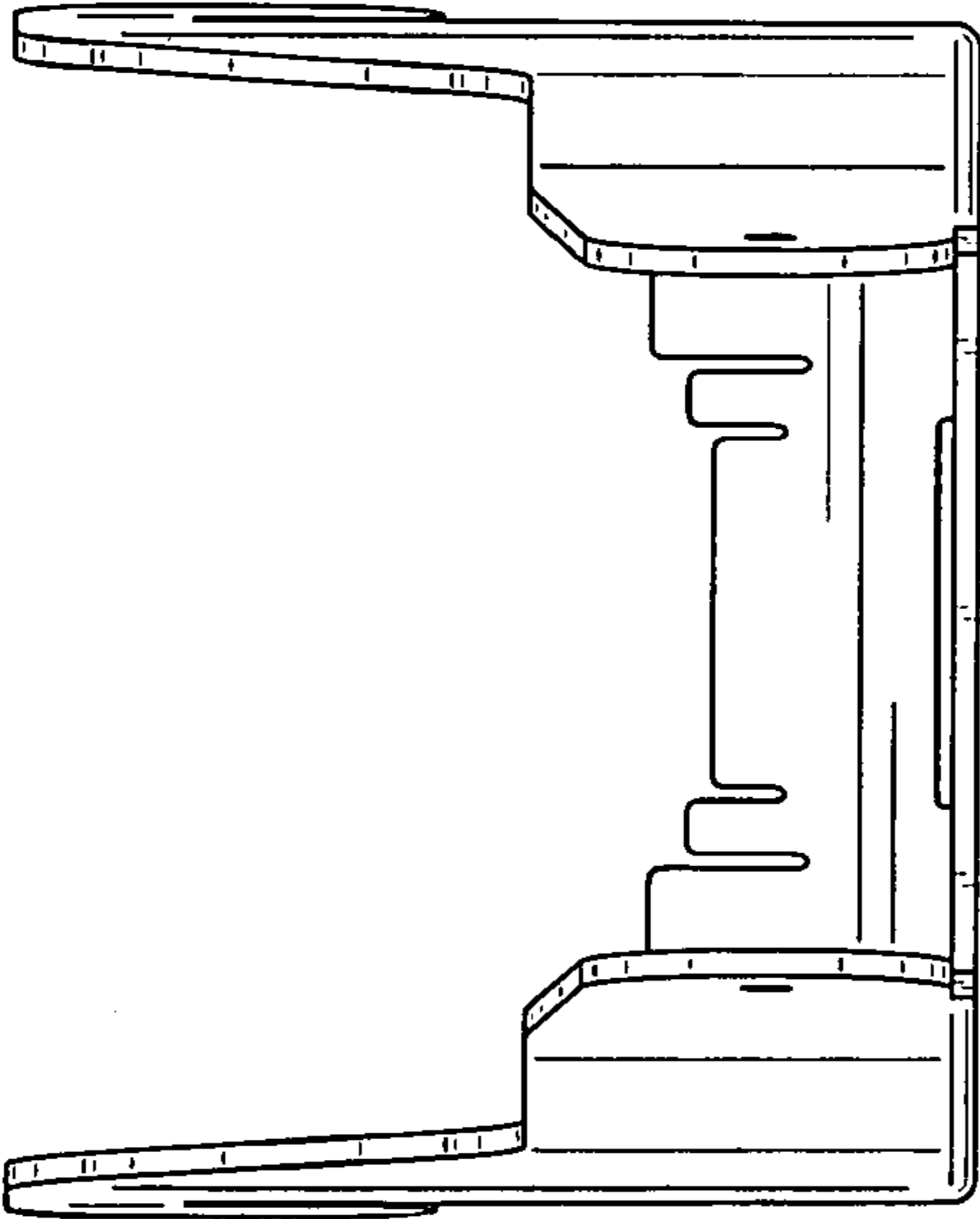


FIG. 8

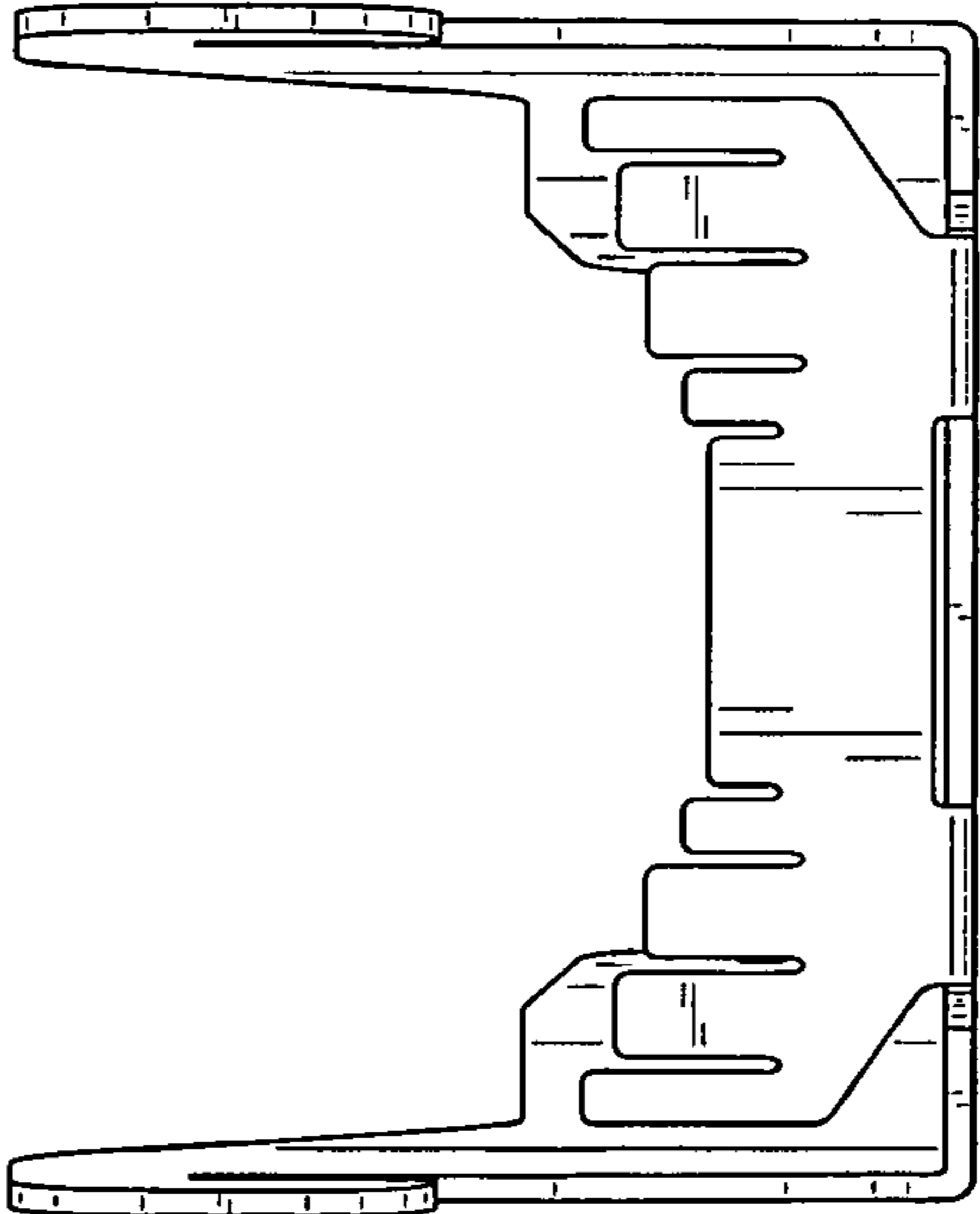


FIG. 9