



US00D708117S

(12) **United States Design Patent**  
**Youn**

(10) **Patent No.:** **US D708,117 S**  
(45) **Date of Patent:** **\*\* Jul. 1, 2014**

(54) **TIRE TREAD**

(71) Applicant: **Hankook Tire Co., Ltd.**, Seoul (KR)

(72) Inventor: **Sung Hee Youn**, Seoul (KR)

(73) Assignee: **Hankook Tire Co., Ltd.**, Seoul (KR)

(\*\*) Term: **14 Years**

(21) Appl. No.: **29/433,336**

(22) Filed: **Sep. 28, 2012**

(30) **Foreign Application Priority Data**

Jul. 6, 2012 (KR) ..... 30-2012-0033017

(51) **LOC (10) Cl.** ..... **12-15**

(52) **U.S. Cl.**  
USPC ..... **D12/556**

(58) **Field of Classification Search**  
USPC ..... D12/533-567, 900-901;  
152/209.1-209.9, 209.11-209.19,  
152/209.21-209.28, 455  
See application file for complete search history.

(56) **References Cited**

**U.S. PATENT DOCUMENTS**

D485,229 S *	1/2004	Murata	.....	D12/556
D491,518 S *	6/2004	Miyabe et al.	.....	D12/556
D507,519 S *	7/2005	Lo	.....	D12/556
D512,014 S *	11/2005	Ishida et al.	.....	D12/556
D522,962 S *	6/2006	Ishida et al.	.....	D12/556
D559,771 S *	1/2008	Robert et al.	.....	D12/556

D588,982 S *	3/2009	Takahashi	.....	D12/556
D588,983 S *	3/2009	Takahashi	.....	D12/556
D610,527 S *	2/2010	Youn	.....	D12/556
D639,725 S *	6/2011	Graas et al.	.....	D12/556
D642,508 S *	8/2011	Heinen et al.	.....	D12/556
D666,140 S *	8/2012	Choi	.....	D12/556
D695,209 S *	12/2013	Yasunaga	.....	D12/556

\* cited by examiner

*Primary Examiner* — Stacia Cadmus

(74) *Attorney, Agent, or Firm* — Hamre, Schumann, Mueller & Larson, P.C.

(57) **CLAIM**

The ornamental design for a tire tread, as shown and described.

**DESCRIPTION**

FIG. 1 is a perspective view of a tire tread showing my new design, it being understood that the pattern is repeated uniformly throughout the circumference of the tread;  
FIG. 2 is a front elevational view thereof;  
FIG. 3 is a rear elevational view thereof;  
FIG. 4 is a left side perspective view thereof;  
FIG. 5 is a right side perspective view thereof;  
FIG. 6 is a top plan view thereof;  
FIG. 7 is a bottom plan view thereof;  
FIG. 8 is a sectional view of line A-A; and,  
FIG. 9 is an enlarged fragmentary view from upper B to lower B.  
The broken line environmental showing is for illustrative purposes only and forms no part of the claimed design.

**1 Claim, 7 Drawing Sheets**

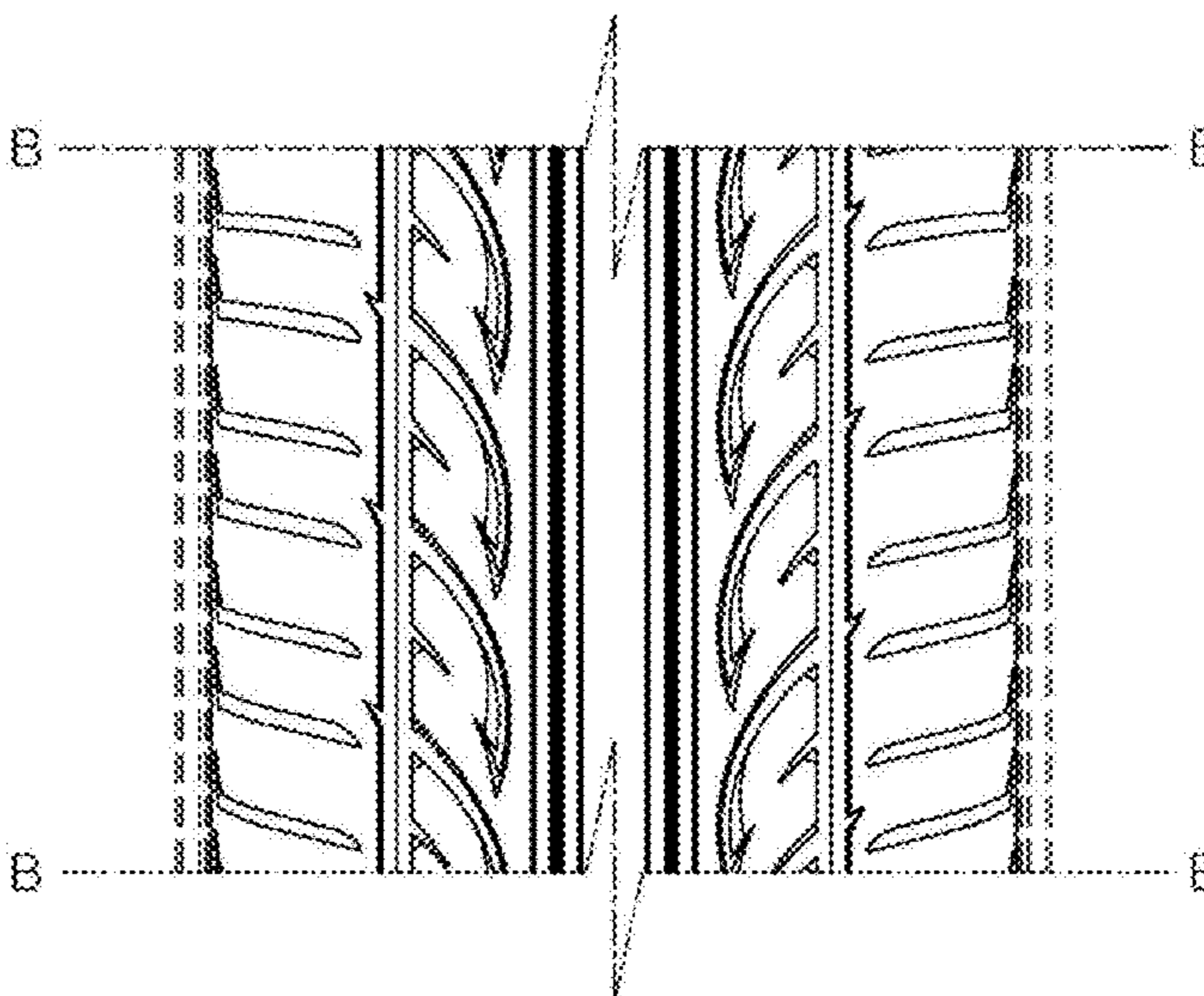
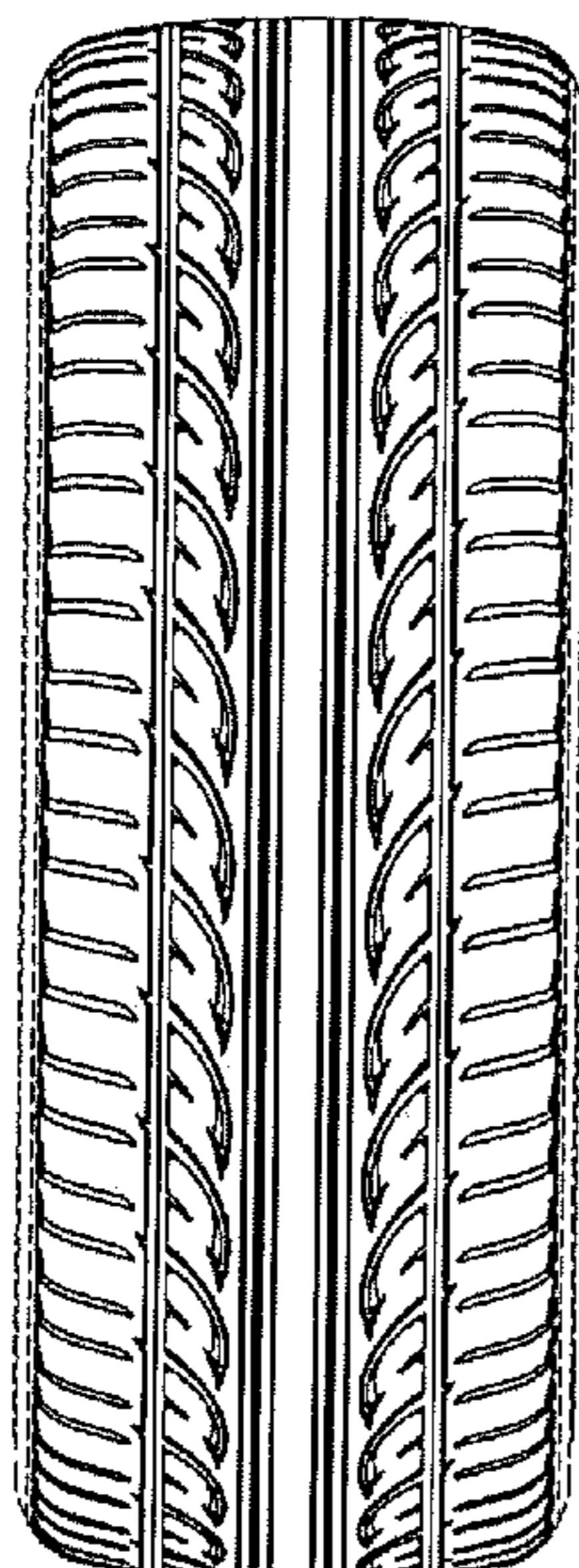


Fig. 1

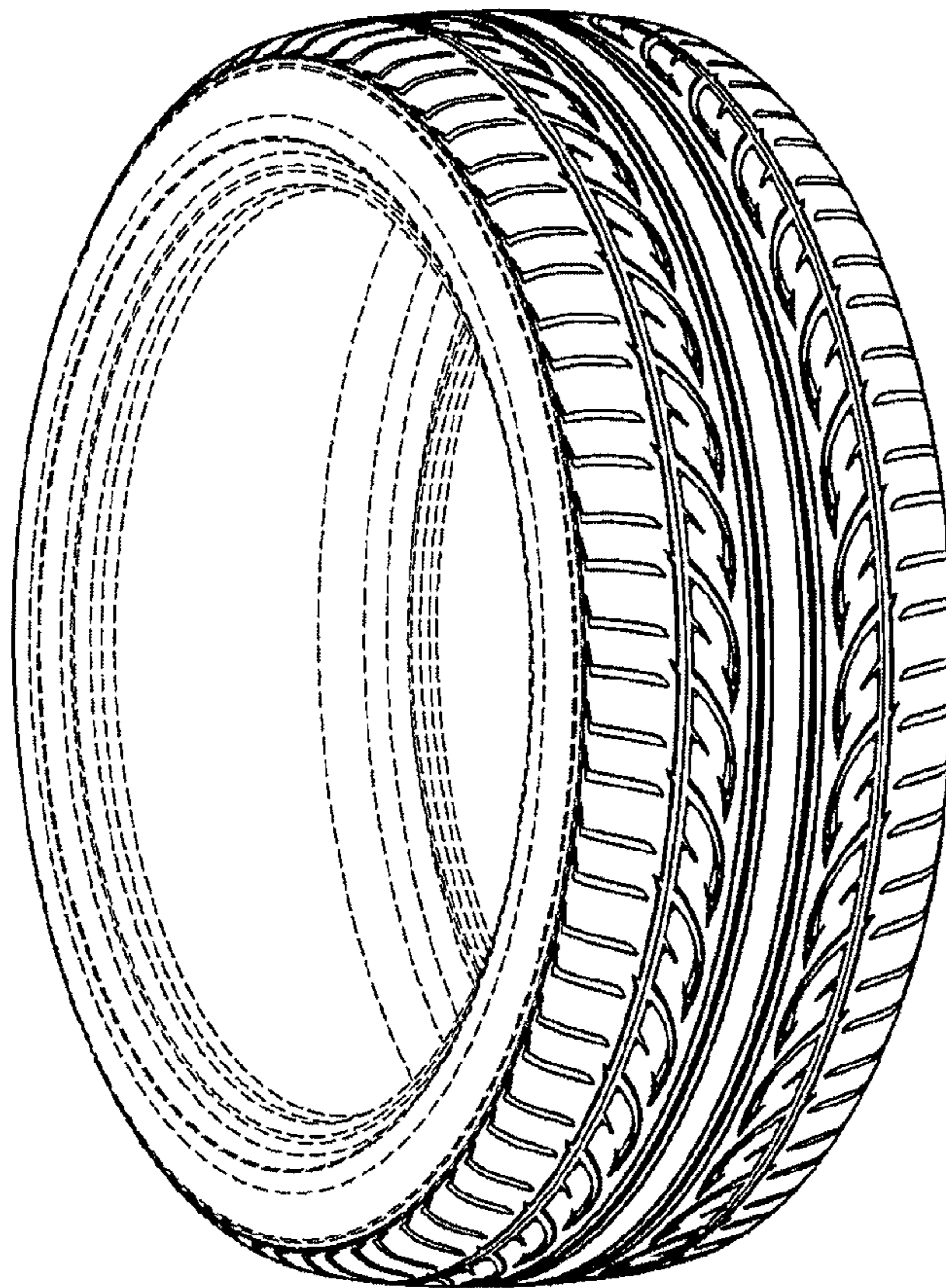


Fig. 2

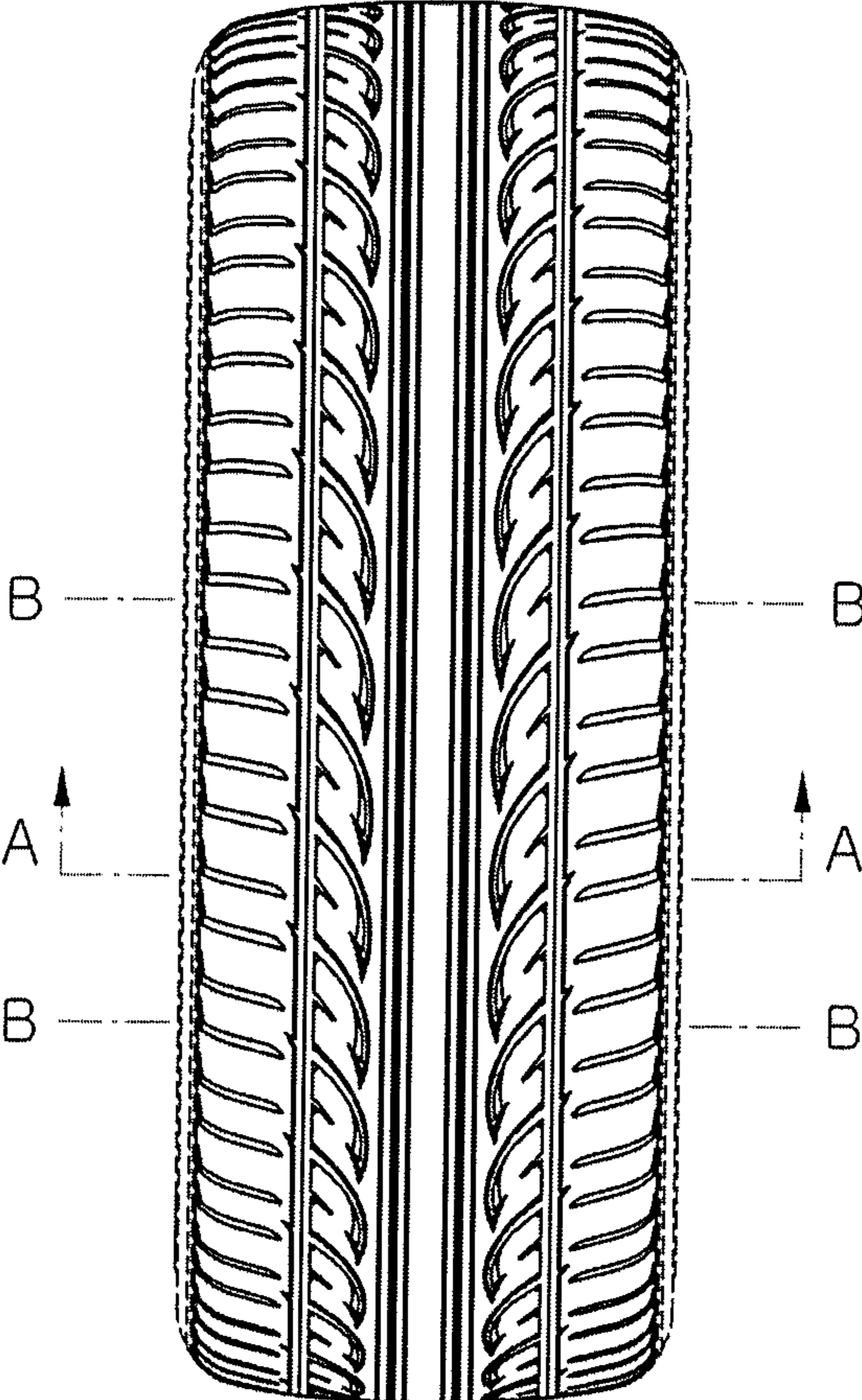


Fig. 3

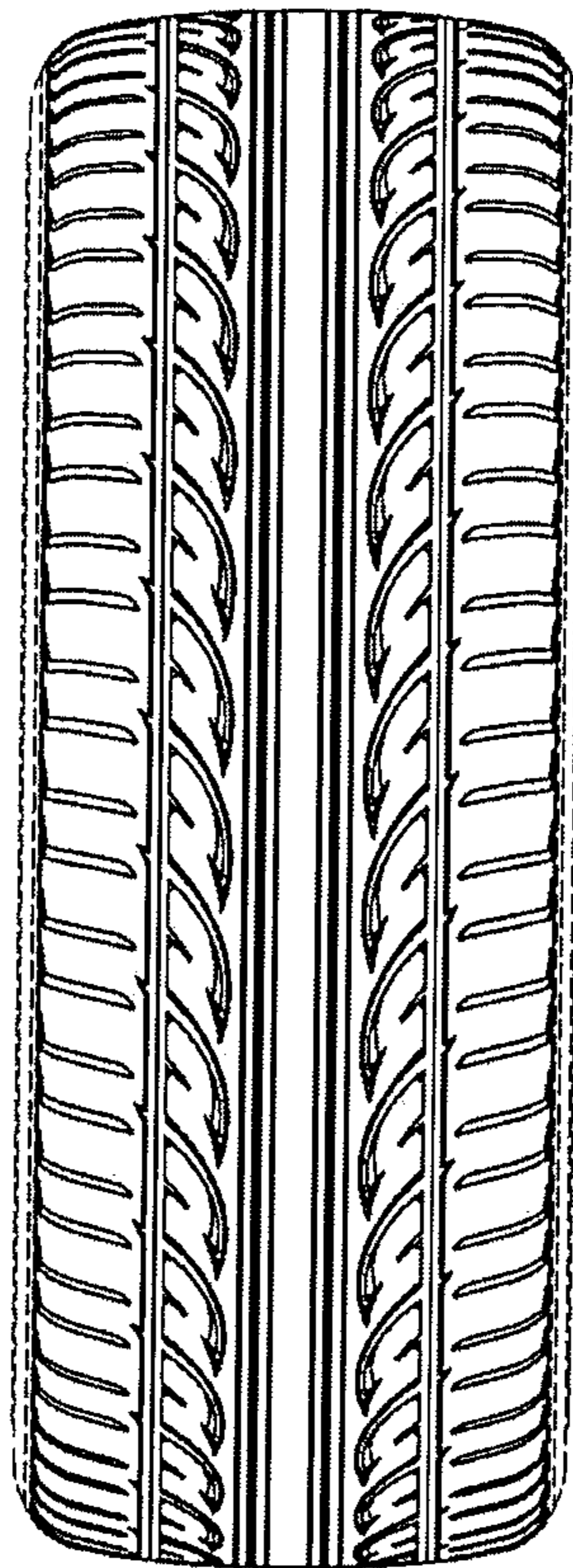


Fig. 4

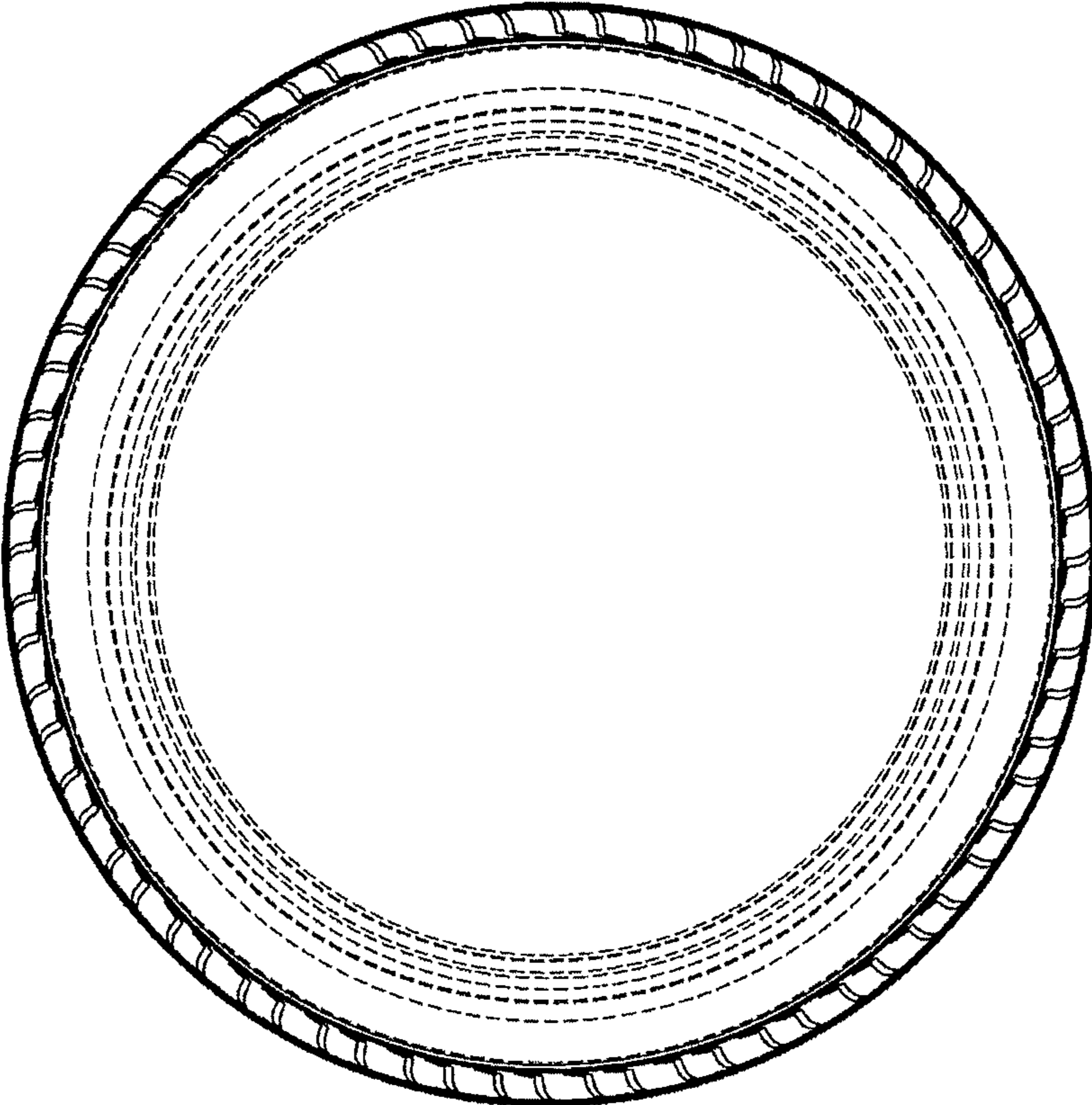


Fig. 5

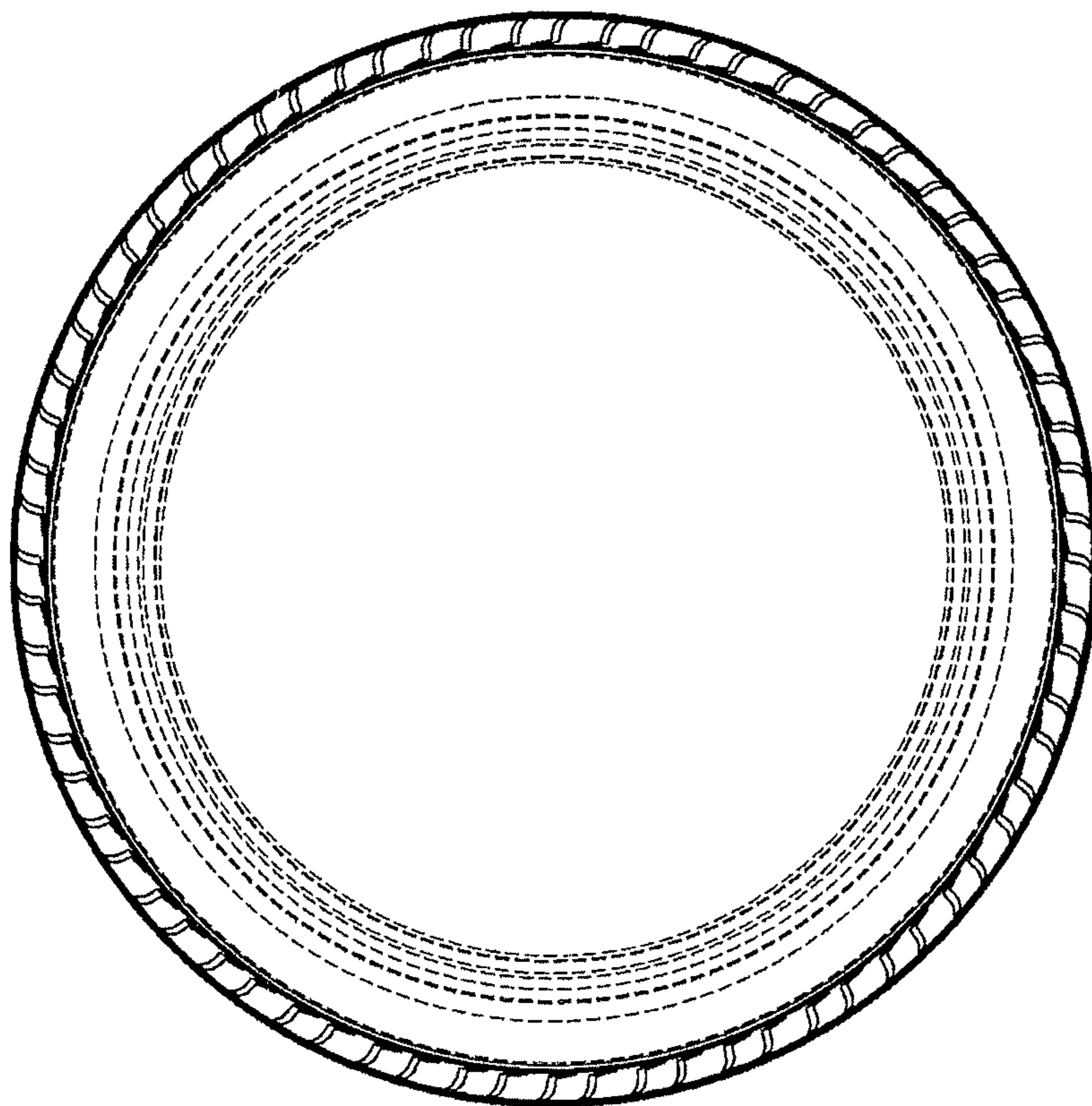


Fig. 6

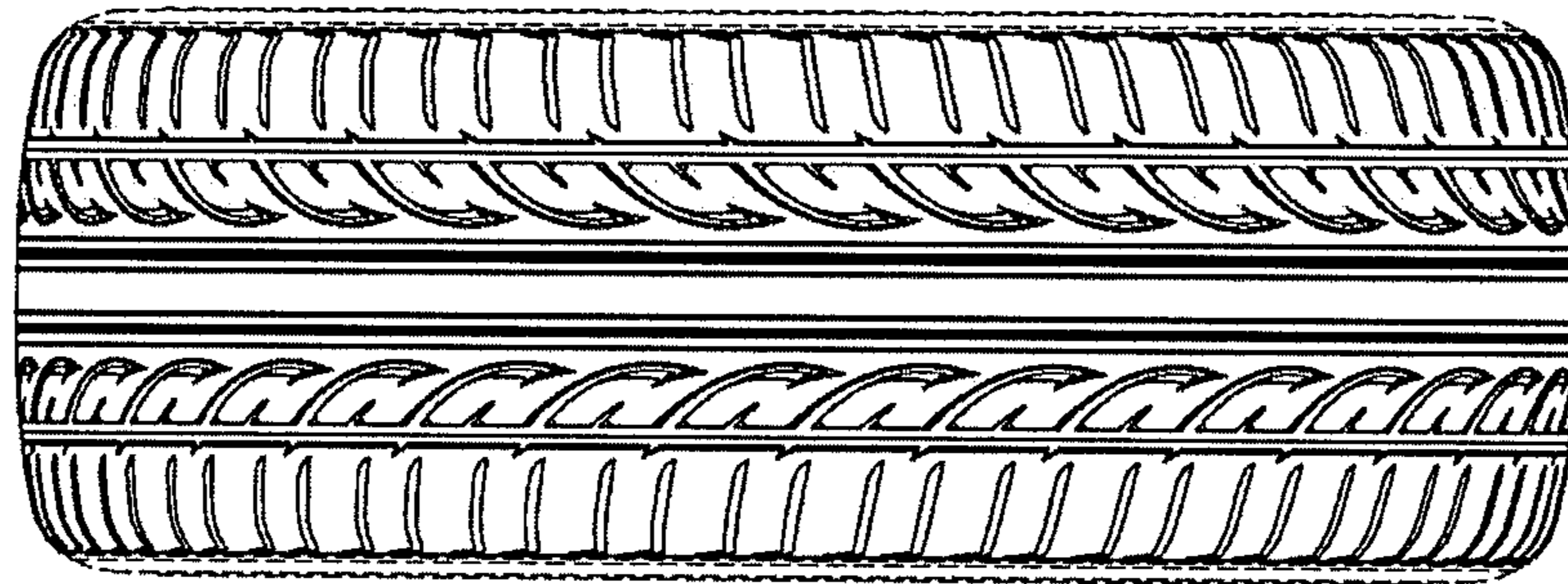


Fig. 7

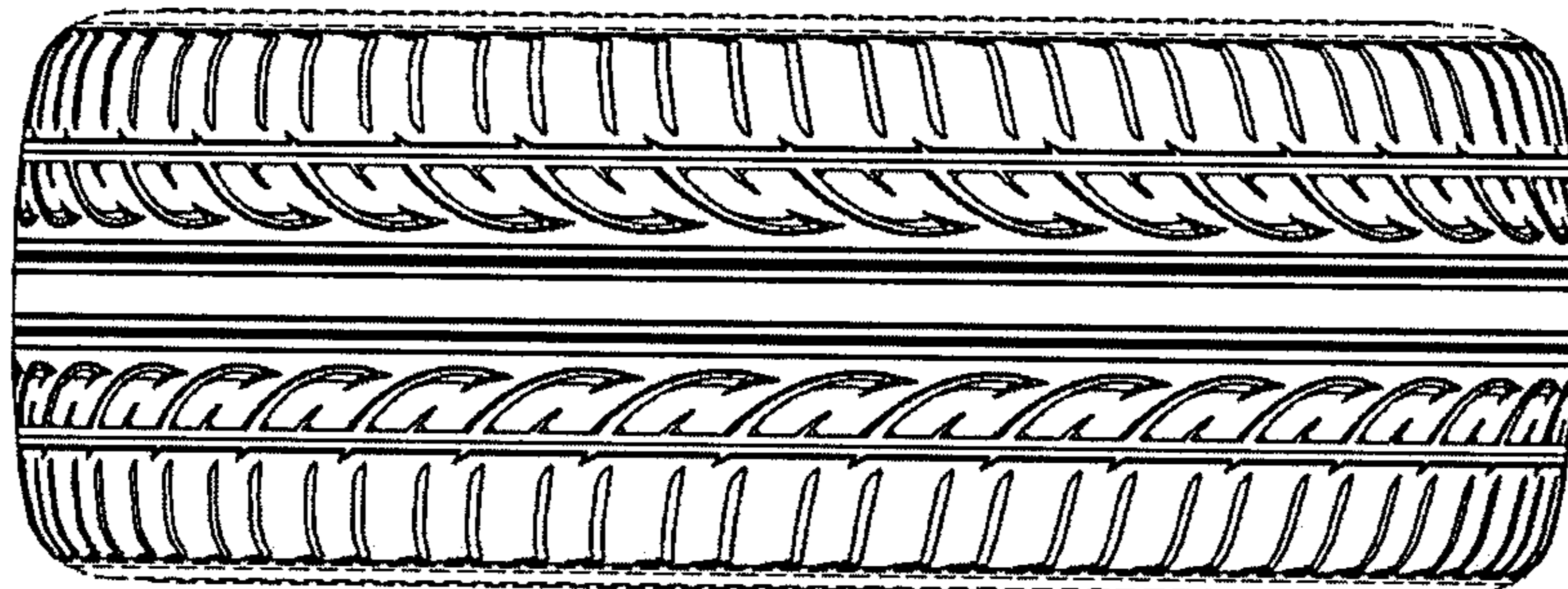


Fig. 8

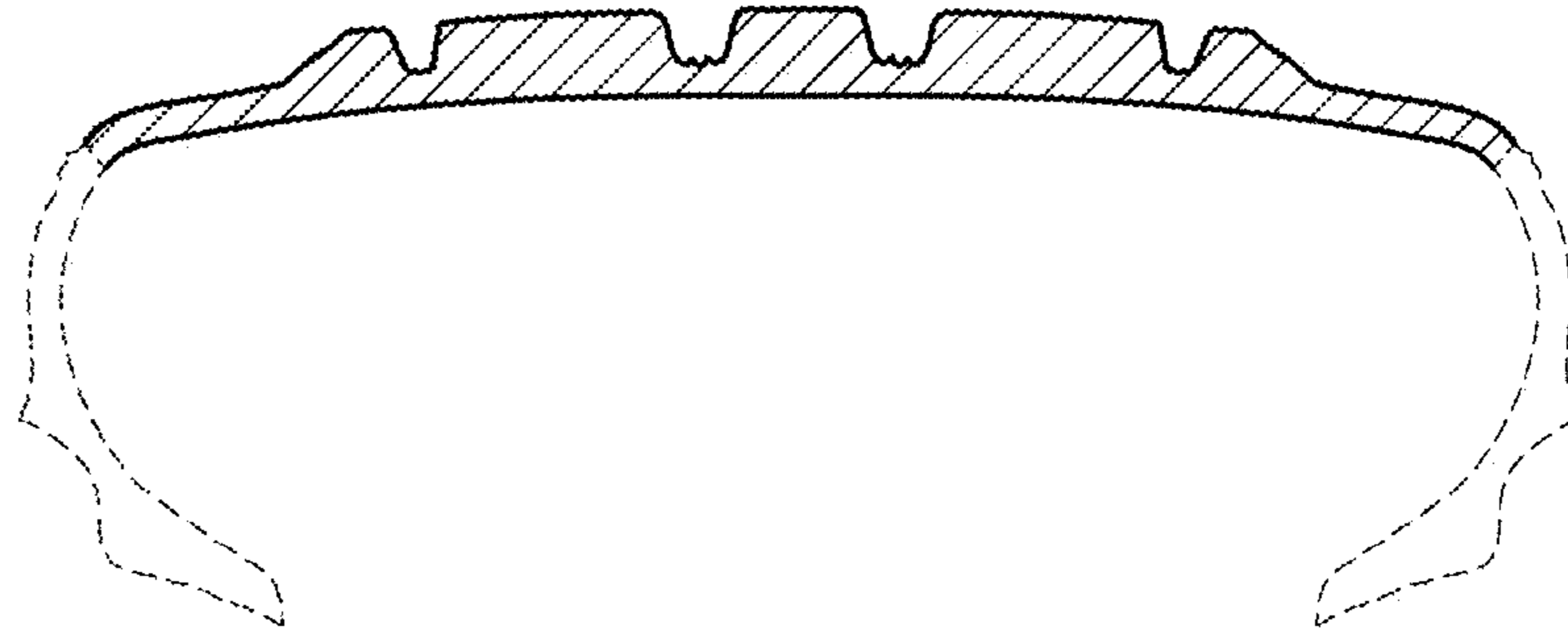


Fig. 9

