



US00D708116S

(12) **United States Design Patent**
Caron et al.

(10) **Patent No.:** **US D708,116 S**
(45) **Date of Patent:** **** Jul. 1, 2014**

- (54) **TIRE**
- (71) Applicants: **Arnaud Caron**, Signeulx (BE); **Olivier Francis Bindner**, Yutz (FR); **Michel Pierre Charles Robert**, Sibret (BE); **Roel Creton**, Folschette (LU); **Julien Dominique Gilbert Majerus**, Bastogne (BE)
- (72) Inventors: **Arnaud Caron**, Signeulx (BE); **Olivier Francis Bindner**, Yutz (FR); **Michel Pierre Charles Robert**, Sibret (BE); **Roel Creton**, Folschette (LU); **Julien Dominique Gilbert Majerus**, Bastogne (BE)

D601,939 S	10/2009	Fontaine et al.	
D606,002 S	12/2009	Yamakawa et al.	
D609,161 S	2/2010	Fontaine et al.	
D634,699 S	3/2011	Fontaine et al.	
D638,348 S	5/2011	Harvey et al.	
D639,719 S	6/2011	Harvey et al.	
D639,720 S	6/2011	Harvey et al.	
D644,592 S	9/2011	Grabo et al.	
D644,593 S	9/2011	Fontaine et al.	
D648,668 S	* 11/2011	Kujime	D12/523
D654,848 S	* 2/2012	Yonetsu	D12/519
D659,075 S	5/2012	Harvey et al.	
D659,633 S	5/2012	Bindner et al.	
D665,336 S	* 8/2012	Skurich et al.	D12/523
D668,598 S	10/2012	Hughes et al.	
D677,215 S	* 3/2013	Nakamura	D12/523
D692,822 S	* 11/2013	Nakamura	D12/521
D696,182 S	* 12/2013	Sakamoto	D12/519

(73) Assignee: **The Goodyear Tire & Rubber Company**, Akron, OH (US)

(**) Term: **14 Years**

(21) Appl. No.: **29/460,076**

(22) Filed: **Jul. 8, 2013**

(51) **LOC (10) Cl.** **12-15**

(52) **U.S. Cl.**
USPC **D12/523**

(58) **Field of Classification Search**
USPC D12/505-532, 900-901;
152/209.1-209.9, 209.11-209.19,
152/209.21-209.28, 455

See application file for complete search history.

(56) **References Cited**

U.S. PATENT DOCUMENTS

D432,956 S	10/2000	Ricquet	
D447,097 S	* 8/2001	Graas et al.	D12/523
D558,128 S	* 12/2007	Delu et al.	D12/521
D559,767 S	1/2008	Graas et al.	
D560,600 S	1/2008	Dixon et al.	
D586,724 S	2/2009	Seibert et al.	
D593,931 S	6/2009	Fontaine et al.	
D597,474 S	8/2009	Yamakawa et al.	
D599,276 S	9/2009	Fontaine et al.	

* cited by examiner

Primary Examiner — Stacia Cadmus

(74) *Attorney, Agent, or Firm* — Richard B. O'Planick

(57) **CLAIM**

The ornamental design for a tire, as shown and described.

DESCRIPTION

FIG. 1 is a perspective view of a tire showing our new design, it being understood that the pattern repeats uniformly throughout the circumference of the tread;

FIG. 2 is a front elevational view thereof;

FIG. 3 is a right side elevational view thereof;

FIG. 4 is a left side elevational view thereof;

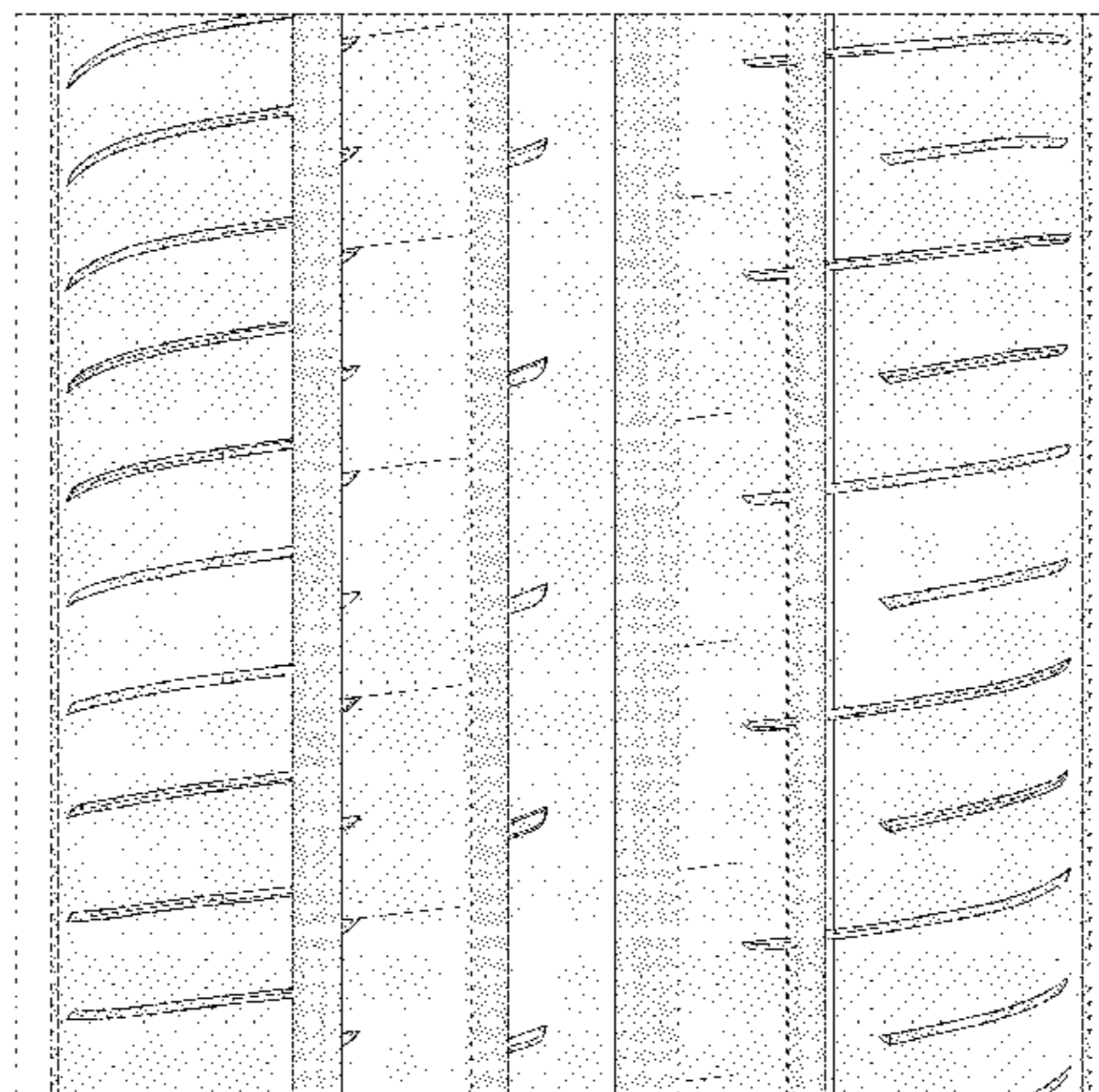
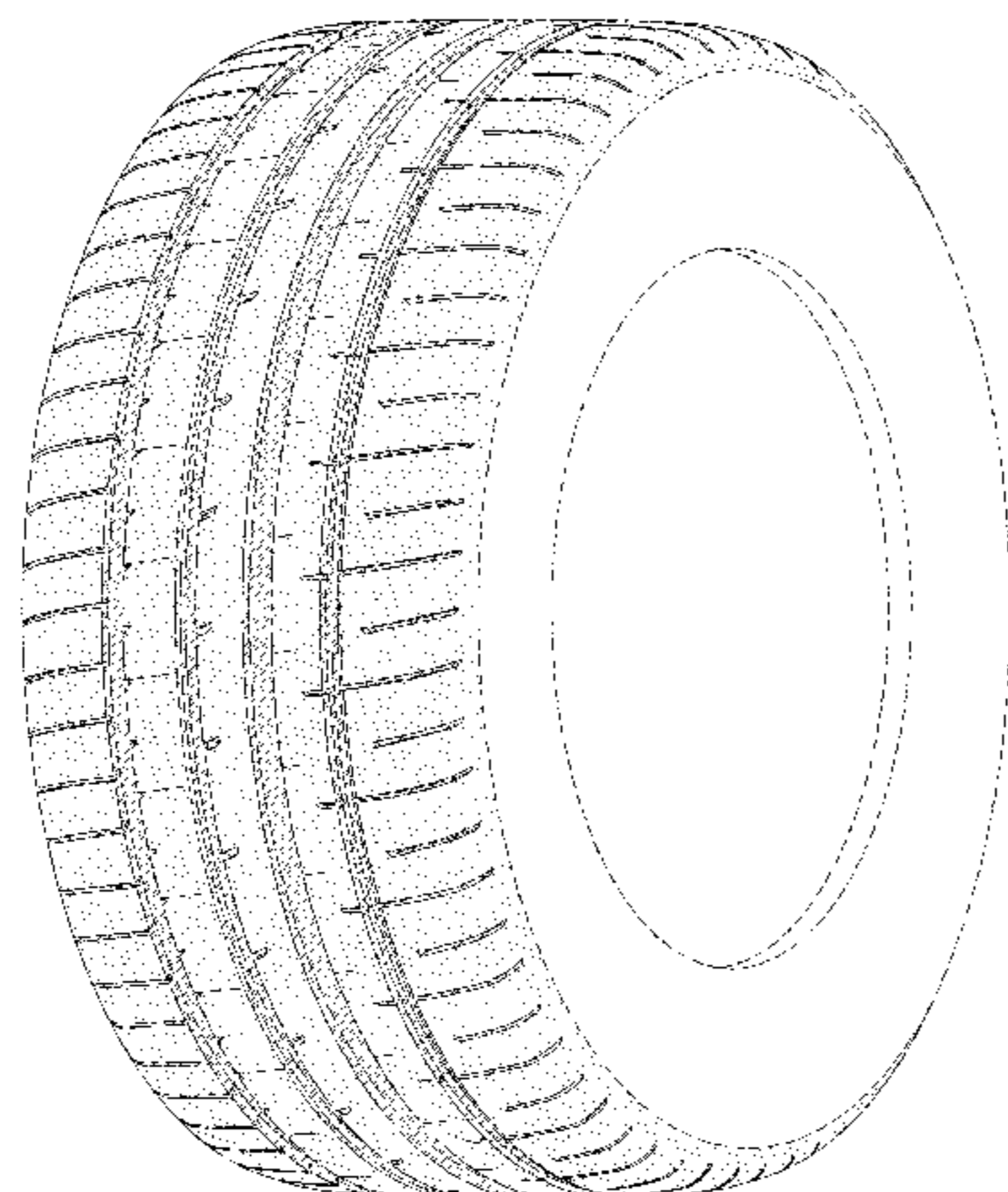
FIG. 5 is an enlarged fragmentary front elevational view thereof;

FIG. 6 is a perspective view of a second embodiment of a tire showing our new design, it being understood that the pattern repeats uniformly throughout the circumference of the tread; and,

FIG. 7 is a front elevational view of a second embodiment, it being understood that an enlarged fragmentary view thereof would be substantially identical to that shown in FIG. 5, with the exception of the inclusion of the sidewall in solid lines.

In the drawings, the broken lines showing of the sidewall, inner bead and the peripheral boundary between the tire tread and the sidewall in FIGS. 1 through 5 depict environmental subject matter and form no part of the claimed design.

1 Claim, 7 Drawing Sheets



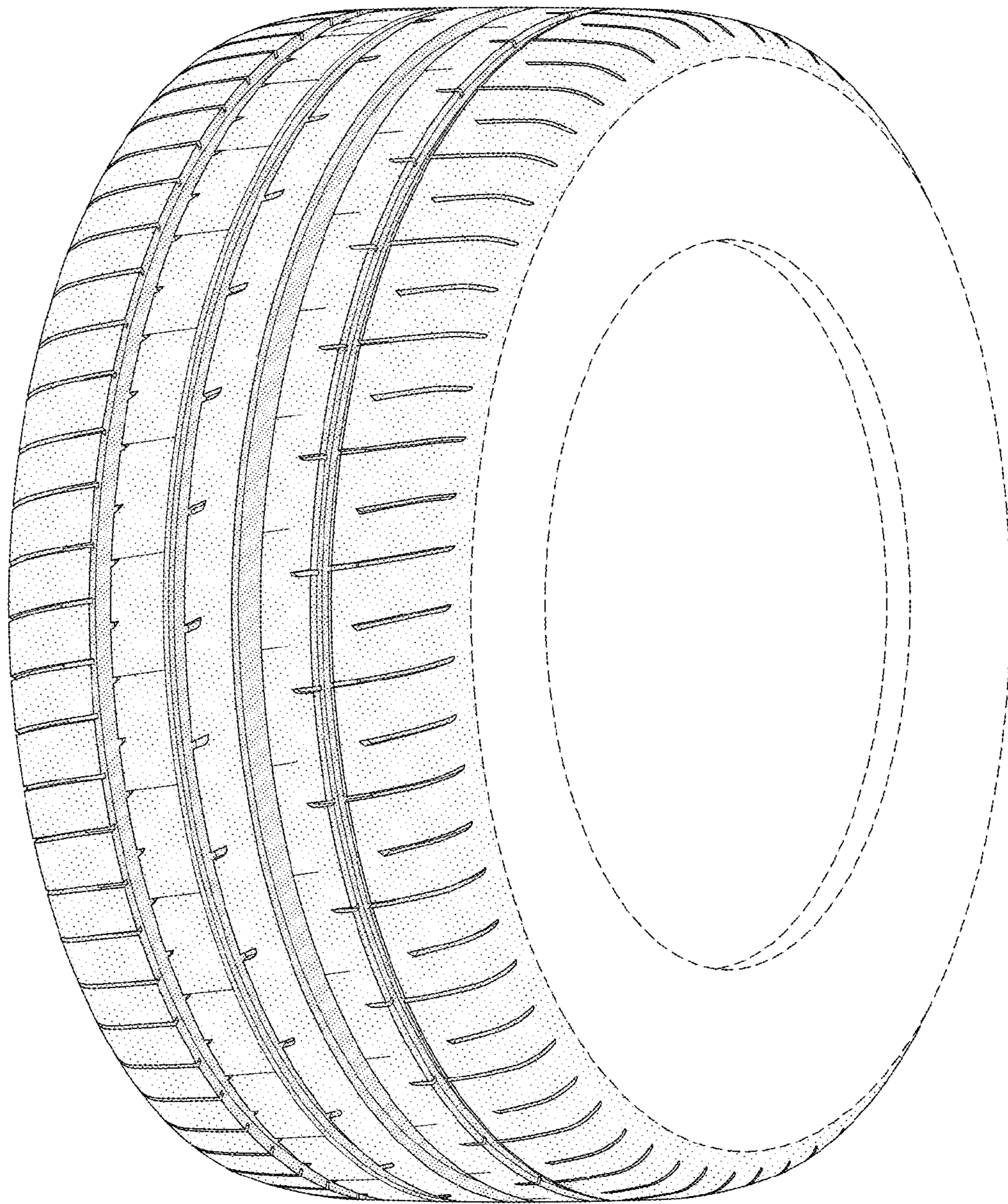


FIG-1

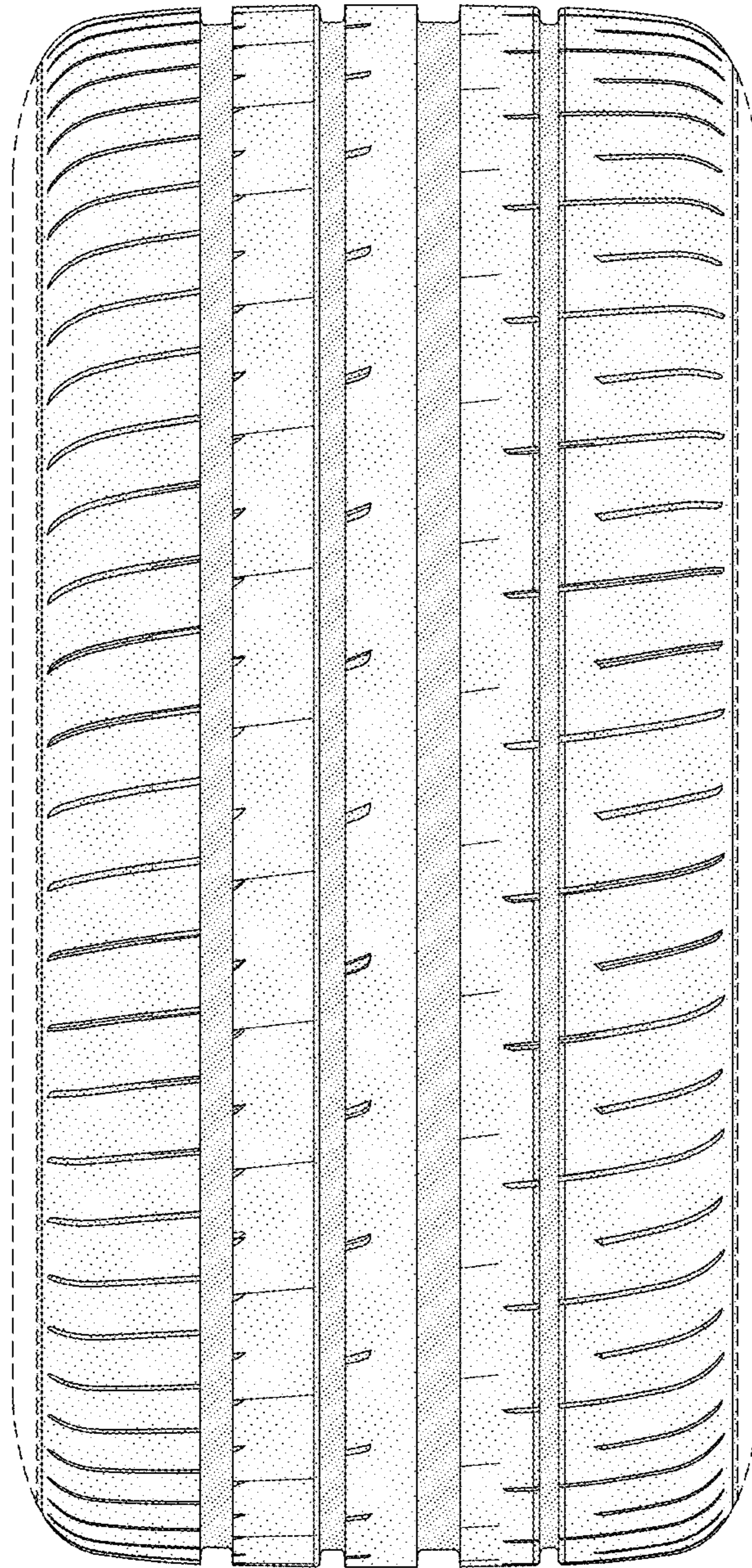


FIG-2

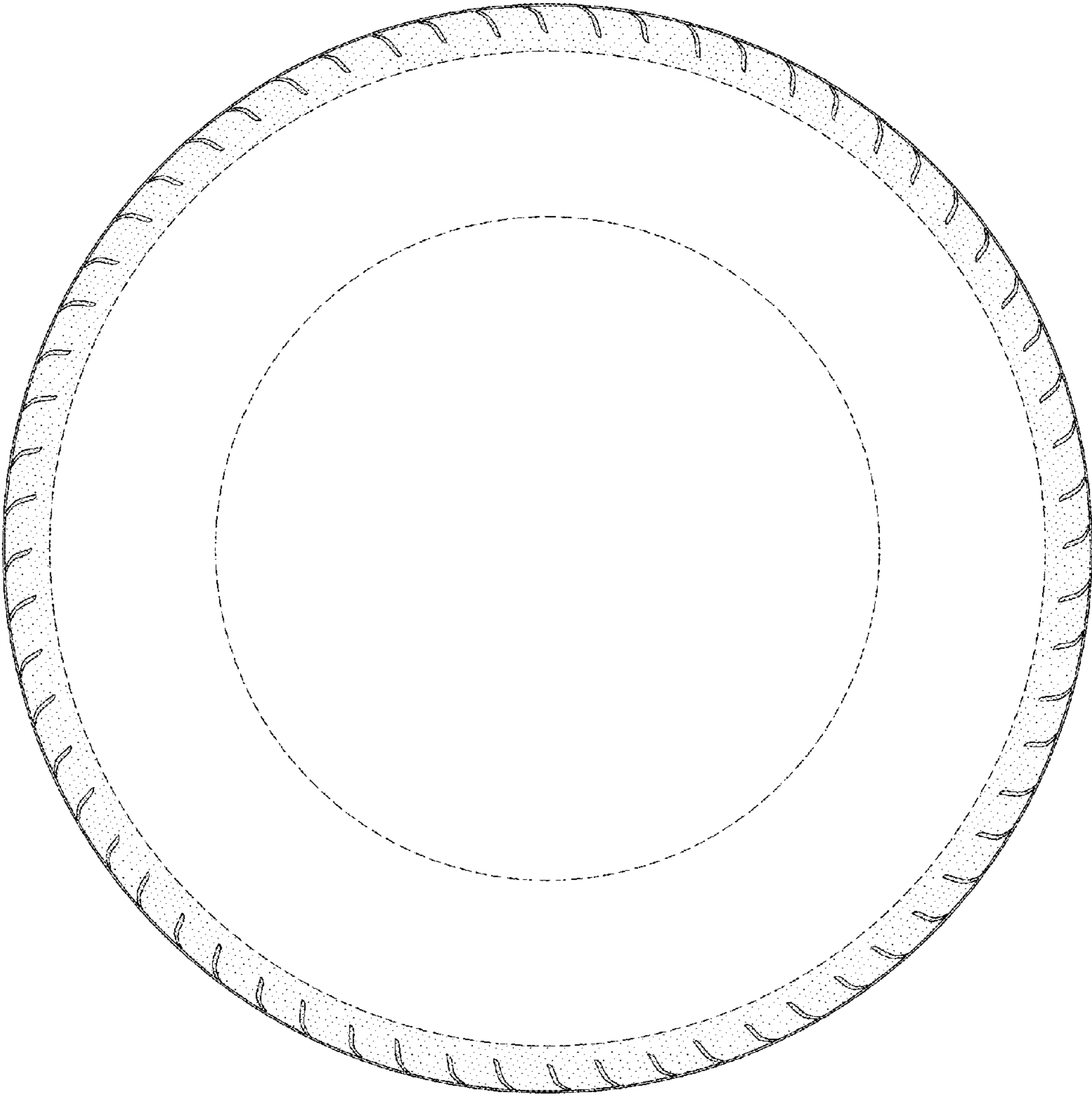


FIG-3

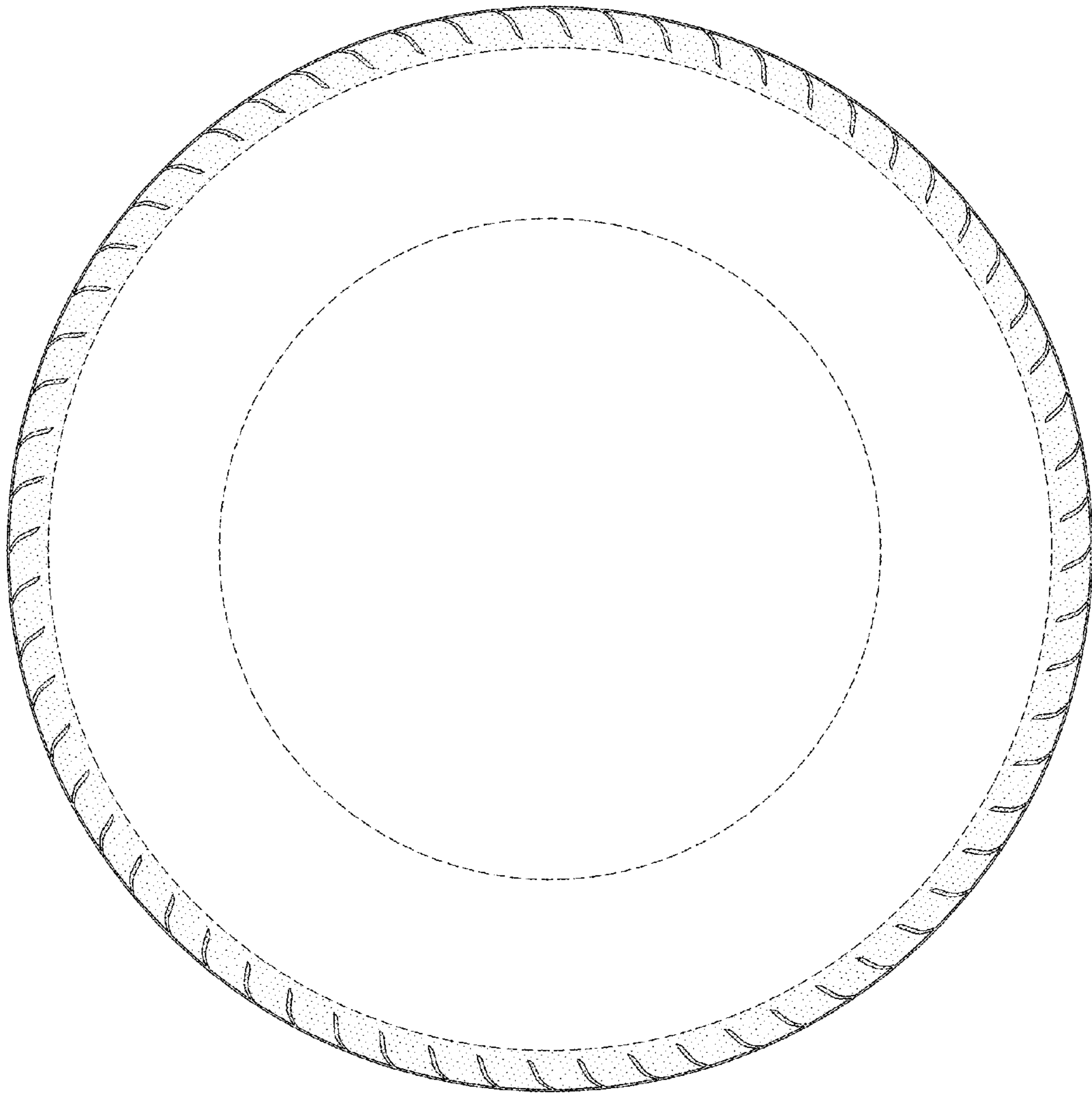


FIG-4

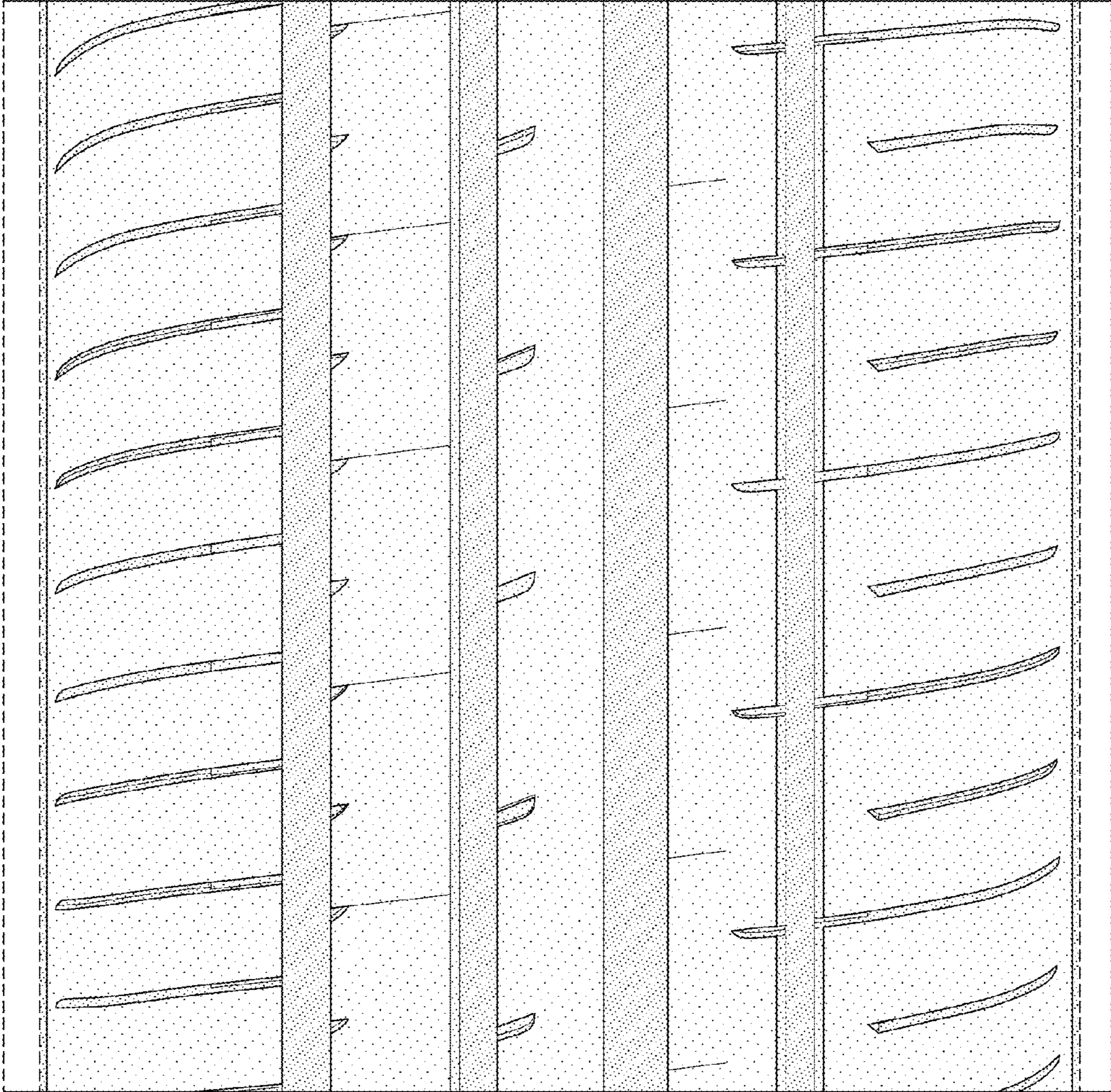


FIG-5

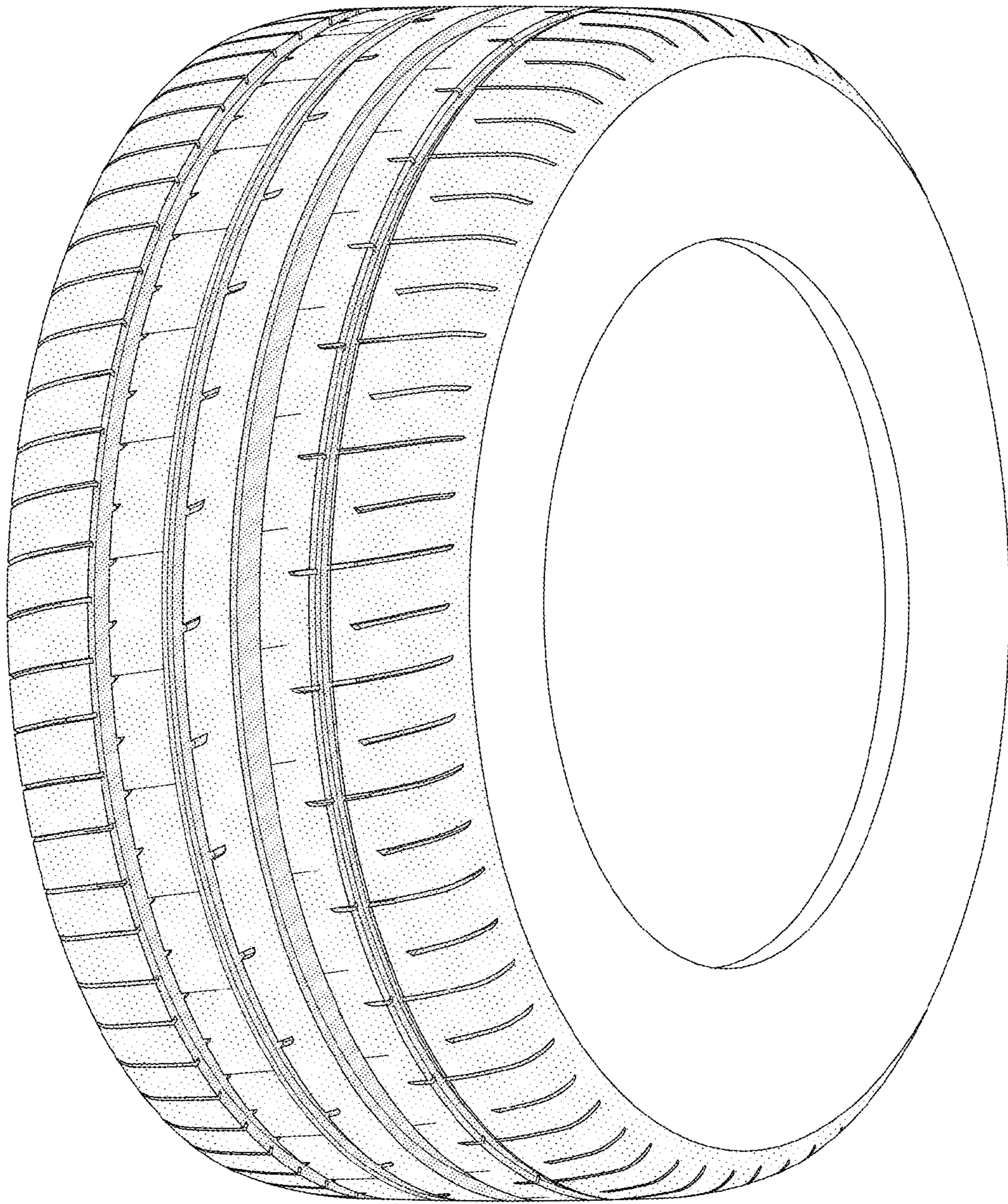


FIG-6

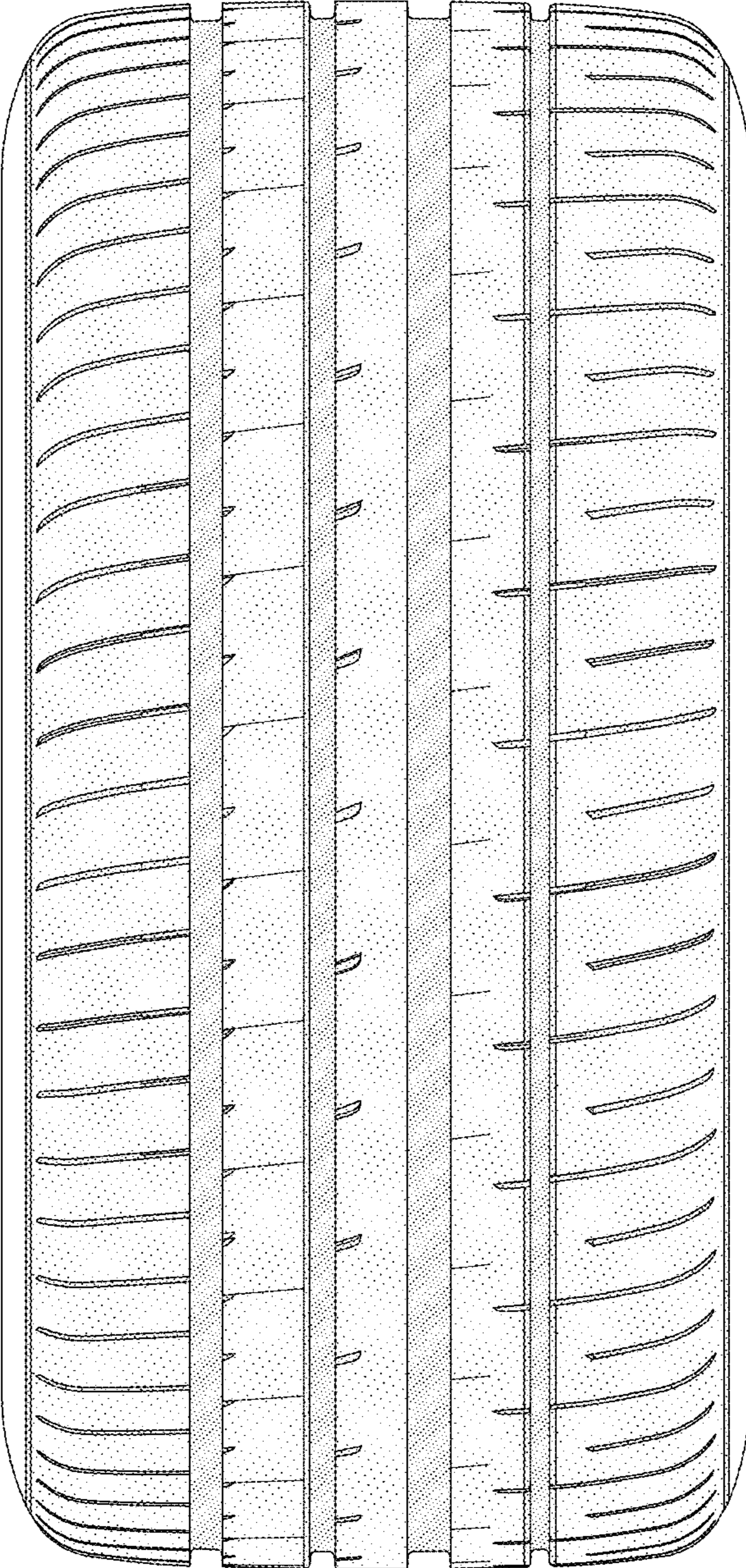


FIG-7