



US00D708114S

(12) **United States Design Patent**
Hodges

(10) **Patent No.:** **US D708,114 S**

(45) **Date of Patent:** **** Jul. 1, 2014**

(54) **BEADLOCK**

(71) Applicant: **Frank J. Hodges**, Corona, CA (US)

(72) Inventor: **Frank J. Hodges**, Corona, CA (US)

(**) Term: **14 Years**

(21) Appl. No.: **29/469,373**

(22) Filed: **Oct. 9, 2013**

(51) **LOC (10) Cl.** **12-16**

(52) **U.S. Cl.**
USPC **D12/213**

(58) **Field of Classification Search**
USPC D12/204-213; 301/37.101, 64.101, 65,
301/64.201, 95.104, 95.106, 58, 55;
152/411-412

See application file for complete search history.

(56) **References Cited**

U.S. PATENT DOCUMENTS

2,367,823 A * 1/1945 Brink 152/411
D349,089 S * 7/1994 Echazabel et al. D12/213
D512,011 S * 11/2005 Tirado D12/213

D543,924 S * 6/2007 Brown D12/213
D548,168 S * 8/2007 Brown D12/213
D593,473 S * 6/2009 Fournier et al. D12/207
D599,269 S * 9/2009 Melbinger D12/213
D669,412 S * 10/2012 Le Grice et al. D12/213

* cited by examiner

Primary Examiner — Stacia Cadmus

(74) *Attorney, Agent, or Firm* — Eric B. Alspaugh, APC

(57) **CLAIM**

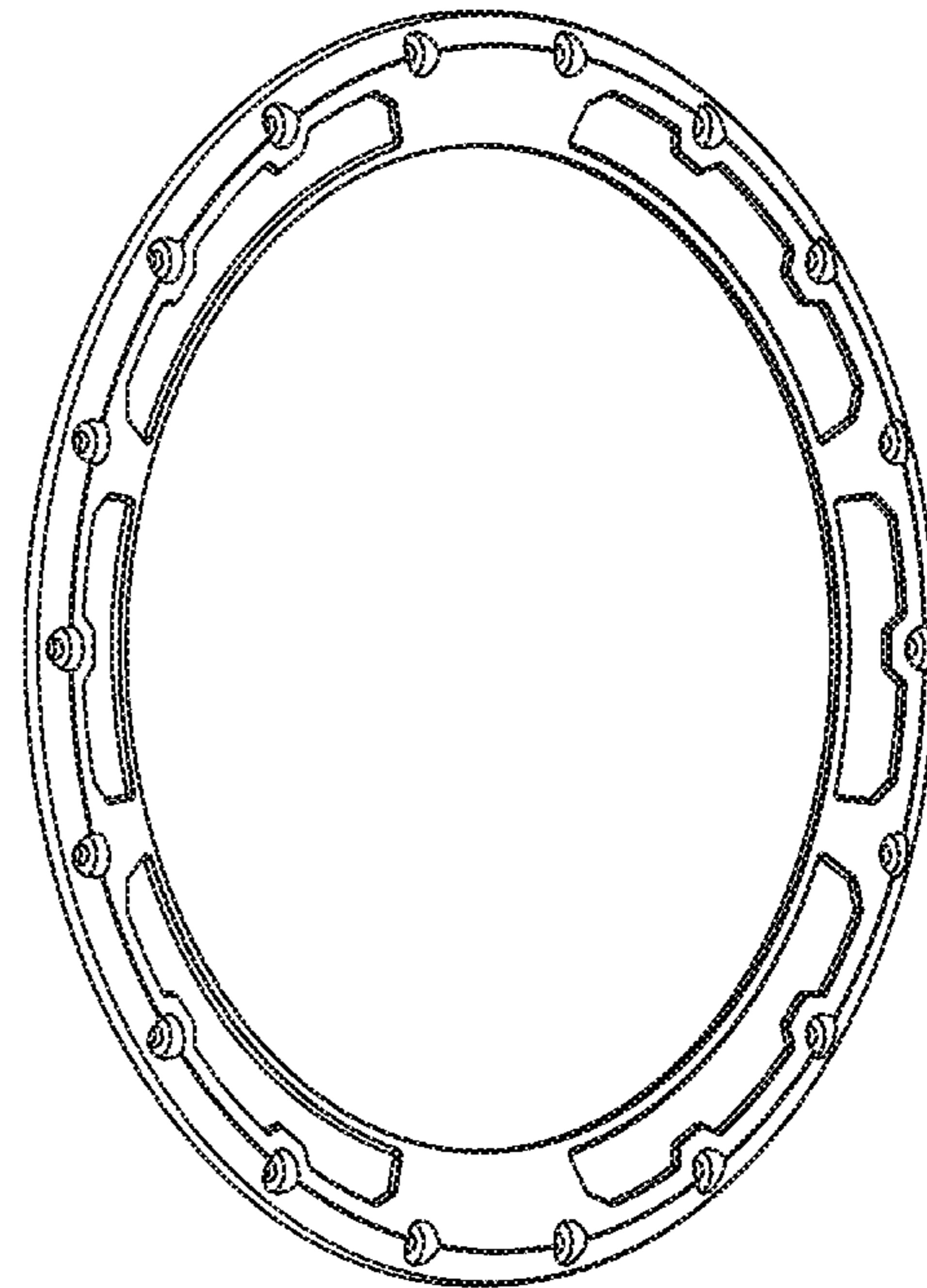
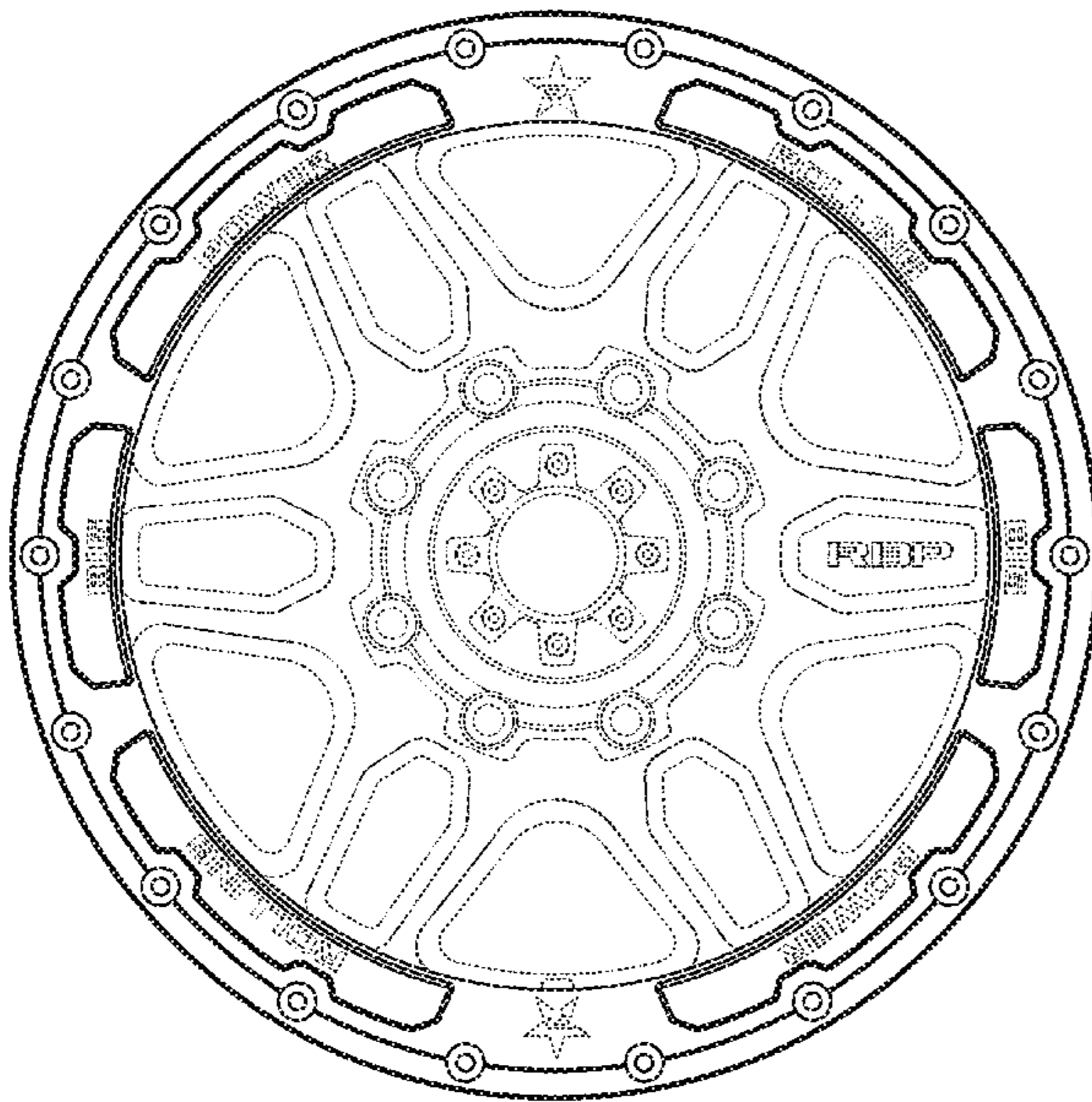
The ornamental design for a beadlock, as shown and described.

DESCRIPTION

FIG. 1 is a front view of a beadlock, showing my new design; FIG. 2 is a side view thereof; FIG. 3 is a perspective view thereof; and, FIG. 4 is a rear view thereof.

The broken line showing of the wheel, the lettering and the stars in FIG. 1 is included for the purpose of illustrating environment and forms no part of the claimed design.

1 Claim, 4 Drawing Sheets



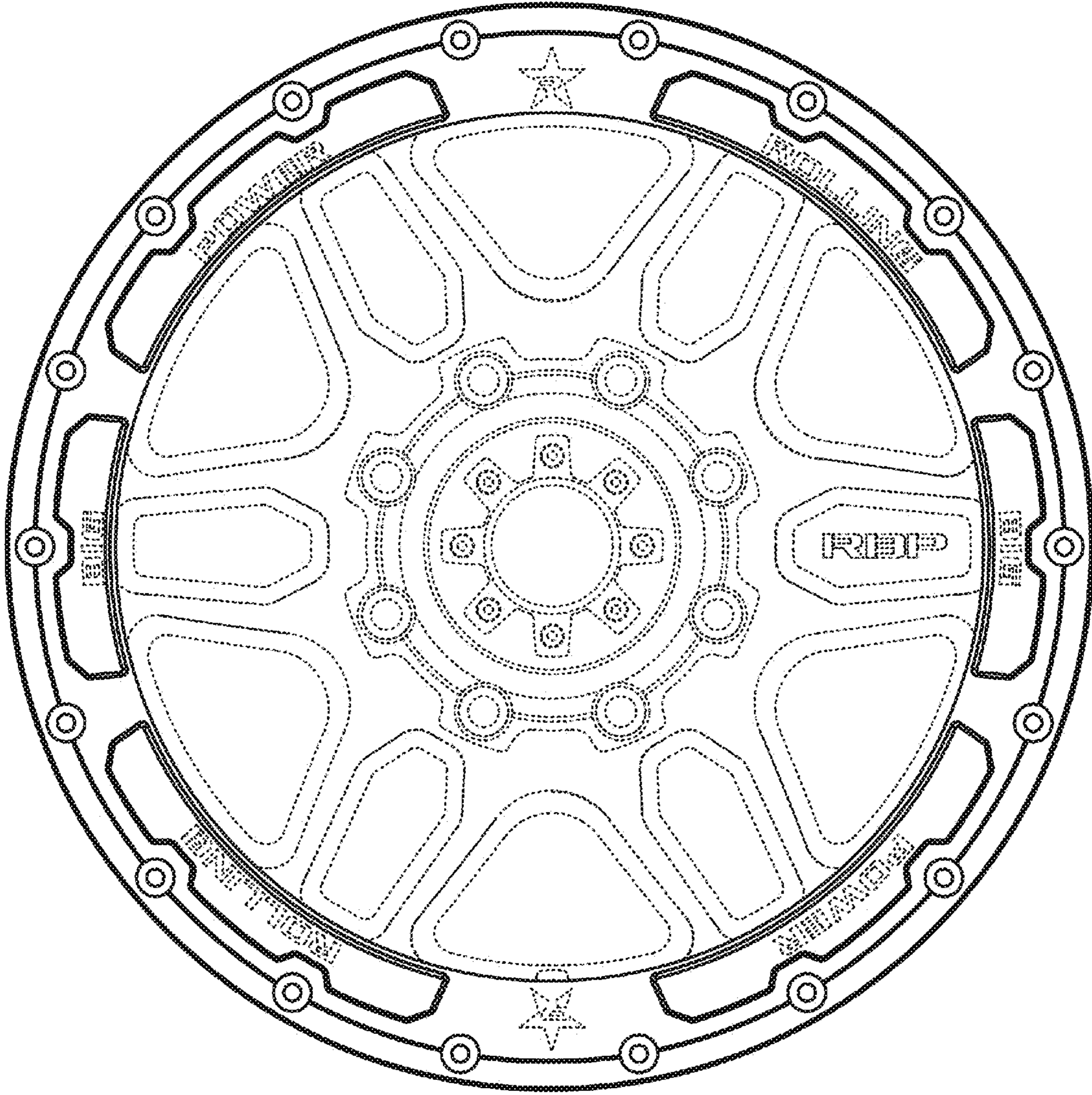


Fig. 1

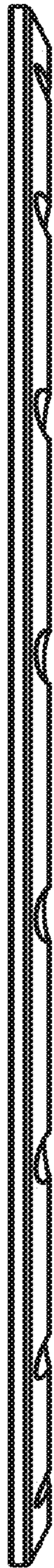


Fig. 2

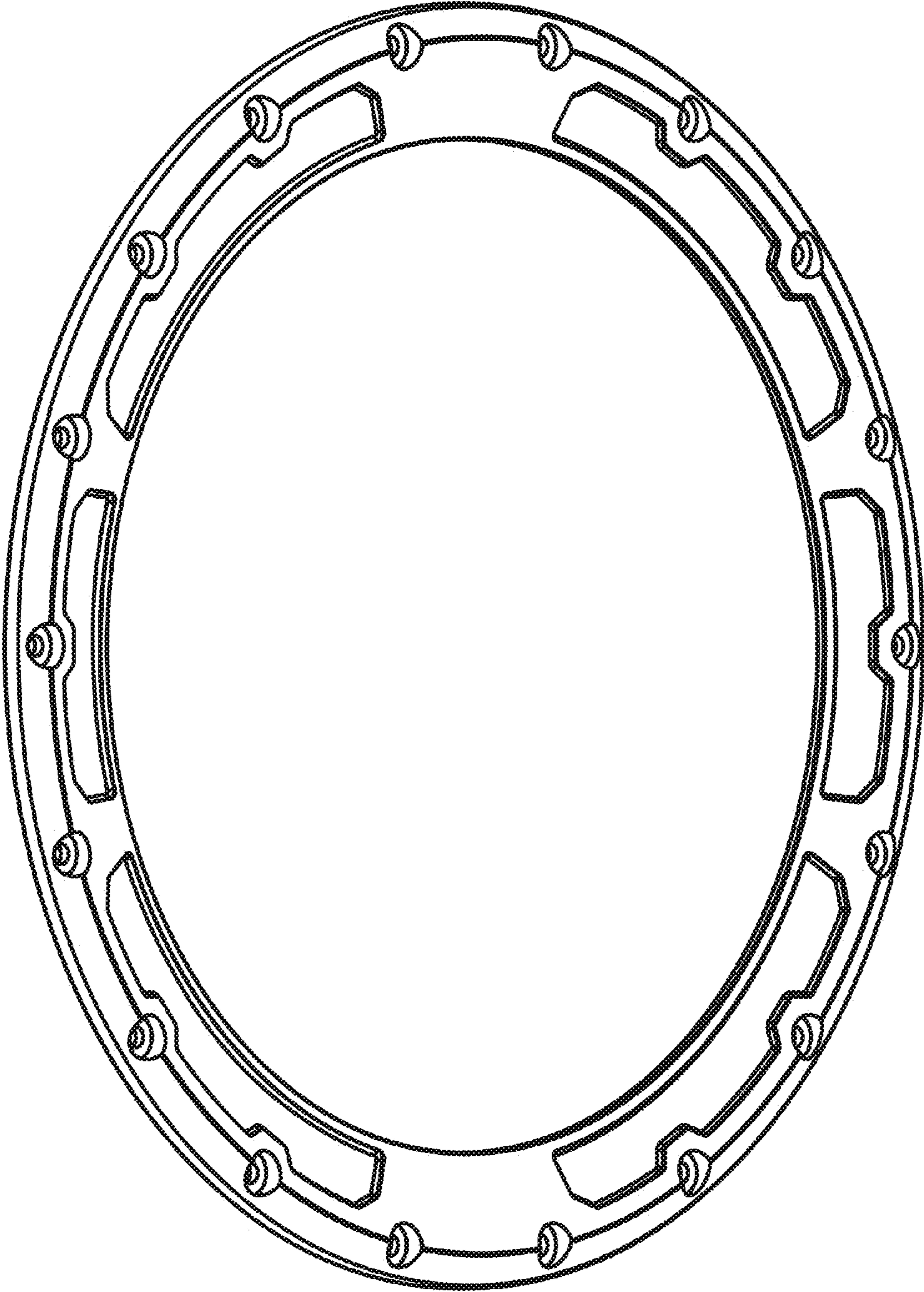


Fig. 3

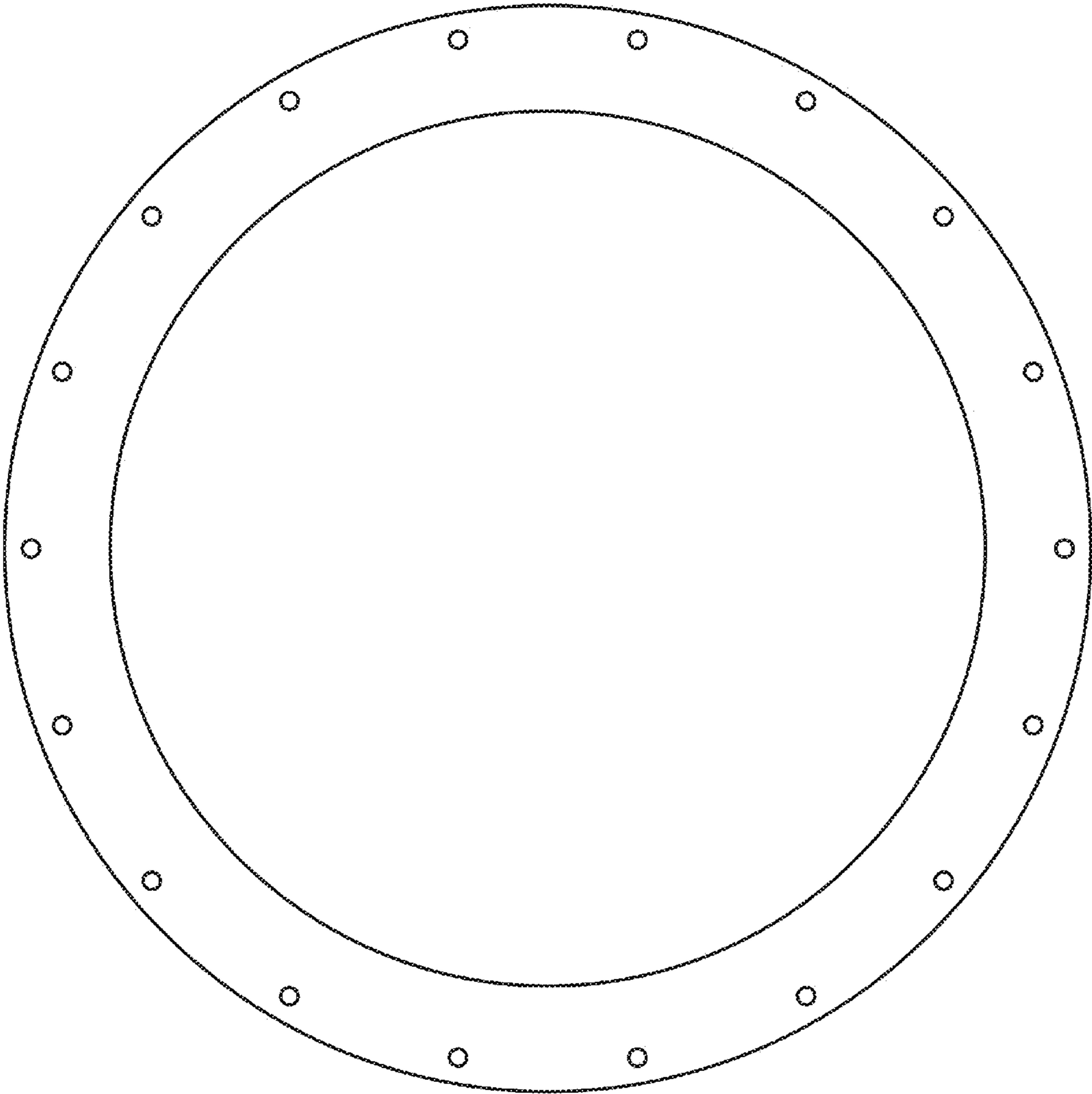


Fig. 4