



US00D708107S

(12) **United States Design Patent**
Jensen et al.

(10) **Patent No.:** **US D708,107 S**
(45) **Date of Patent:** **** Jul. 1, 2014**

(54) **FRONT CHASSIS FAIRING**

(71) Applicants: **John P. Jensen**, Sanger, TX (US); **David Leetz**, Denton, TX (US); **Chris I. Ito**, Sugar Grove, IL (US); **Casey W. Keil**, Renton, WA (US); **Paul W. Seiler**, Lynnwood, WA (US); **Piotr Stegawski**, Kirkland, WA (US)

(72) Inventors: **John P. Jensen**, Sanger, TX (US); **David Leetz**, Denton, TX (US); **Chris I. Ito**, Sugar Grove, IL (US); **Casey W. Keil**, Renton, WA (US); **Paul W. Seiler**, Lynnwood, WA (US); **Piotr Stegawski**, Kirkland, WA (US)

(73) Assignee: **PACCAR Inc**, Bellevue, WA (US)

(**) Term: **14 Years**

(21) Appl. No.: **29/448,940**

(22) Filed: **Mar. 14, 2013**

(51) **LOC (10) Cl.** **12-16**

(52) **U.S. Cl.**
USPC **D12/196**

(58) **Field of Classification Search**
CPC B62D 23/005; B62D 25/02; B62D 25/025;
B62D 25/08; B62D 33/077; B62D 35/001;
B62D 35/005; B62D 35/007; B62D 35/008
USPC D12/90, 91, 92, 169, 196; 180/68.1,
180/68.6; 296/56, 57.1, 102, 113, 115,
296/184.1, 185.1, 186.1, 193.11
See application file for complete search history.

(56) **References Cited**

U.S. PATENT DOCUMENTS

D265,983 S	8/1982	Sullivan
4,401,338 A	8/1983	Caldwell
4,408,792 A	10/1983	Sullivan
D271,191 S	11/1983	Amprim
D289,891 S	5/1987	Bielby

D290,455 S	6/1987	Konen
D312,609 S *	12/1990	Preslik et al. D12/203
D312,810 S *	12/1990	Preslik et al. D12/203
D314,163 S	1/1991	Harris

(Continued)

OTHER PUBLICATIONS

Tom Berg. Mack Emphasizes Fuel Economy with Pinnacle Announcements. Mar. 1, 2011 [online]. [retrieved on Jan. 26, 2014]. Retrieved from the Internet <URL: <http://www.truckinginfo.com/channel/products/article/story/2011/03/mack-emphasizes-fuel-economy-with-pinnacle-announcements.aspx>>.*

(Continued)

Primary Examiner — Philip S Hyder

Assistant Examiner — Darlington Ly

(74) *Attorney, Agent, or Firm* — Christensen O'Connor Johnson Kindness PLLC

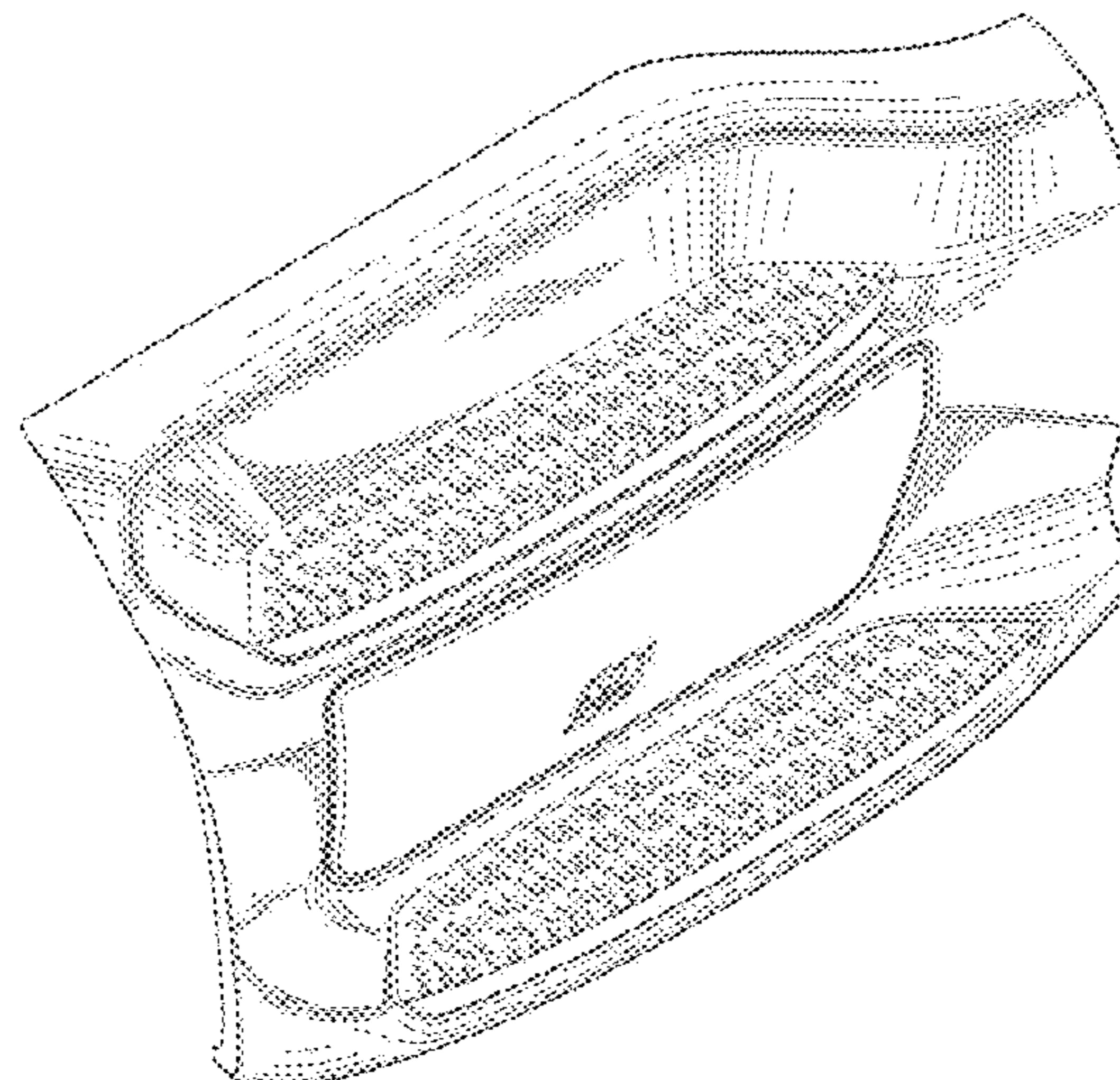
(57) **CLAIM**

The ornamental design for a front chassis fairing, as shown and described.

DESCRIPTION

FIG. 1 is a perspective view of a front chassis fairing according to our new design;
FIG. 2 is a front view of the front chassis fairing of FIG. 1;
FIG. 3 is a top view of the front chassis fairing of FIG. 1;
FIG. 4 is a bottom view of the front chassis fairing of FIG. 1;
FIG. 5 is a side view of the front chassis fairing taken from the left side of FIG. 1; and,
FIG. 6 is a side view of the front chassis fairing taken from the right side of FIG. 1.
FIGS. 1-6 illustrate a first embodiment of our novel design suitable for use on the left side of a vehicle. Our novel design also includes a second embodiment suitable for use on the right side of a vehicle, which is mirror symmetrical to FIGS. 1-6 and therefore not separately illustrated.
The broken lines shown in the drawings illustrate portions of the front chassis fairing that forms no part of claimed design.

1 Claim, 5 Drawing Sheets



(56)

References Cited

U.S. PATENT DOCUMENTS

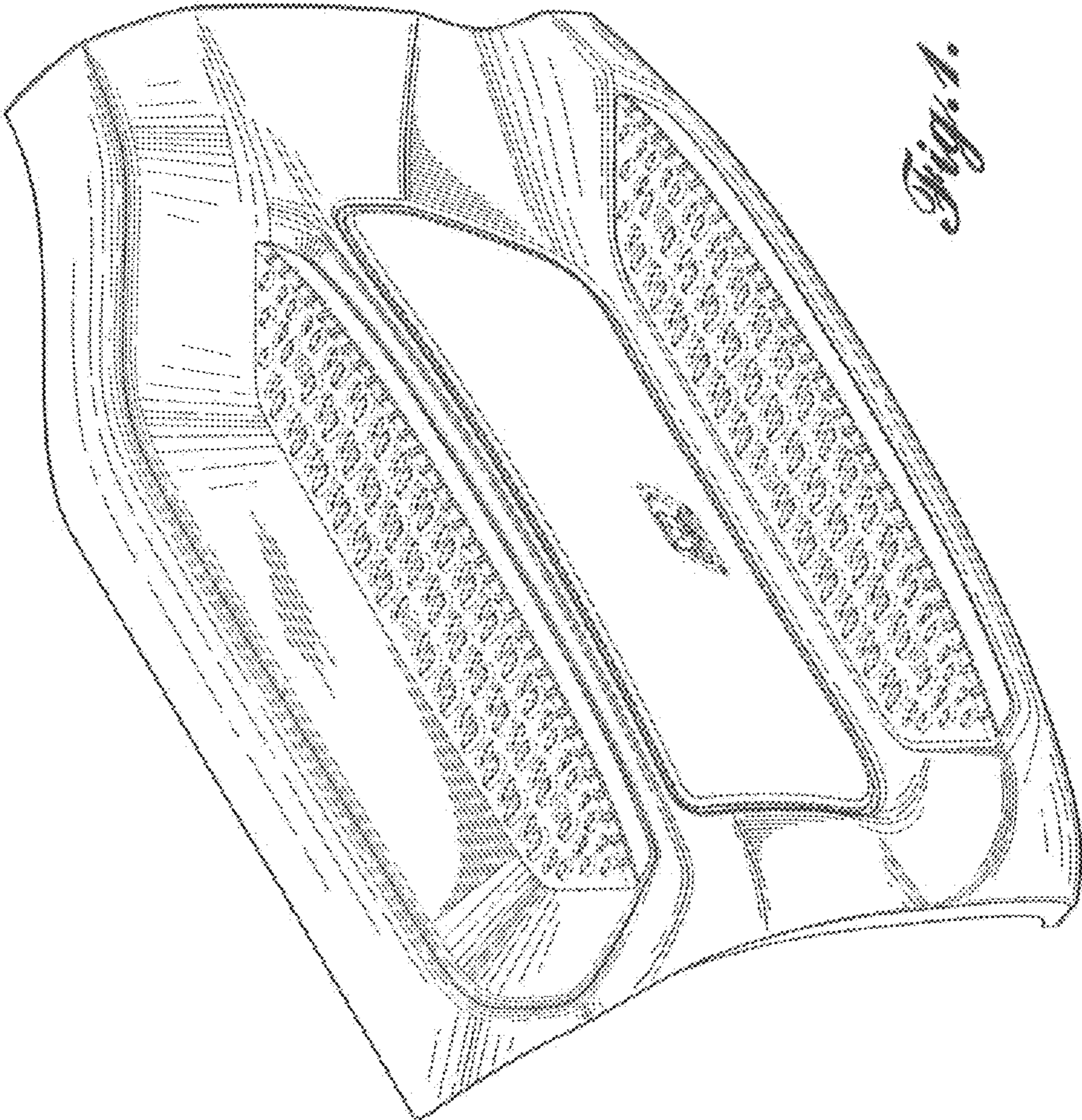
D320,583 S 10/1991 Simons
 D335,855 S 5/1993 Callaway
 D341,563 S 11/1993 Niemi
 D356,770 S 3/1995 Almen
 D374,418 S 10/1996 Griffin
 D375,925 S 11/1996 Griffin
 D381,949 S * 8/1997 Barrett et al. D12/203
 D391,524 S 3/1998 Anderson
 D395,269 S 6/1998 McCauley, Jr.
 D395,848 S 7/1998 Meryman
 D399,465 S 10/1998 Saleen
 D399,791 S 10/1998 Hellhake
 D399,792 S 10/1998 Hellhake
 D403,999 S 1/1999 Lund
 D411,410 S 6/1999 Meryman
 D424,999 S 5/2000 Carlson
 D433,365 S 11/2000 Beigel
 D433,967 S 11/2000 Delashaw
 D434,348 S * 11/2000 Delashaw et al. D12/96
 D436,894 S 1/2001 Barraclough
 D437,258 S 2/2001 Meryman
 D460,023 S 7/2002 Beigel
 D465,749 S 11/2002 Beigel
 D491,508 S * 6/2004 Perfetti et al. D12/196
 D496,620 S 9/2004 Perfetti
 D499,679 S 12/2004 Perfetti
 D519,891 S 5/2006 Lai
 D522,426 S 6/2006 Beigel
 D522,944 S * 6/2006 Beigel et al. D12/196
 D522,945 S * 6/2006 Beigel et al. D12/196
 D531,948 S * 11/2006 Angelo et al. D12/196
 D532,731 S 11/2006 Angelo
 D535,597 S 1/2007 Herpel
 D558,643 S 1/2008 Beigel
 D564,431 S * 3/2008 Orr D12/196
 D566,639 S 4/2008 Elliott
 D567,156 S 4/2008 Hutchins
 D603,315 S 11/2009 Gamou
 7,641,254 B2 * 1/2010 Stegawski et al. 296/35.1
 D613,224 S 4/2010 Beigel
 D643,353 S 8/2011 Balicki
 D646,613 S 10/2011 Medina
 D652,774 S * 1/2012 Aris et al. D12/196
 D660,756 S * 5/2012 Peltola et al. D12/196
 D666,541 S 9/2012 Stimel, Jr.
 2005/0040668 A1 2/2005 Wood
 2009/0033058 A1 * 2/2009 VanderGriend et al. ... 280/164.1

OTHER PUBLICATIONS

Paccar Announces Second Quarter Revenues and Earnings. May 1, 2013 [online], [retrieved on Jan. 26, 2014]. Retrieved from the

Internet <URL: <http://fleetnewsdaily.com/paccar-announces-second-quarter-revenues-and-earnings/>>.*
 Early Adopters of Paccar MX-13 Engine Reaping Benefits with Kenworth Trucks. Nov. 21, 2013 [online], [retrieved on Jan. 26, 2014]. Retrieved from the Internet <URL: <http://www.kenworth.com/news/news-releases/2013/november/paccar-mx-13-early-adopters.aspx>>.*
 "Class Pays," Peterbilt Motors Company, Denton, Texas, Sep. 1997, 10•page brochure.
 "Class Pays," Peterbilt Motors Company, Denton, Texas, Nov. 1998, 10•page brochure.
 "Class Pays, Truck Models," Peterbilt Motors Company, Denton, Texas, Mar. 2005, 24•page brochure.
 "Kenworth Truck Models," Kenworth Truck Company, Kirkland, Washington, 2010, 16•page brochure.
 "Model 377A/E," Peterbilt Motors Company, Denton, Texas, Jan. 1995, 6•page brochure.
 "Model 377A/E," Peterbilt Motors Company, Denton, Texas, Aug. 1997, 2•page brochure.
 "Model 385," Peterbilt Motors Company, Denton, Texas, Oct. 1996, 5•page brochure.
 "Model 387," Peterbilt Motors Company, Denton, Texas, Oct. 2002, 2•page brochure.
 "T600," Kenworth Truck Company, Kirkland, Washington, 2002, 28•page brochure.
 "T600," Kenworth Truck Company, Kirkland, Washington, 2005, 24•page brochure.
 "T660," Kenworth Truck Company, Kirkland, Washington, 2007, 36•page brochure.
 "T660," Kenworth Truck Company, Kirkland, Washington, 2009, 36•page brochure.
 "T700," Kenworth Truck Company, Kirkland, Washington, 2010, 6•page brochure.
 "T2000," Kenworth Truck Company, Kirkland, Washington, 1999, 20•page brochure.
 "T2000," Kenworth Truck Company, Kirkland, Washington, 2002, 20•page brochure.
 "T2000," Kenworth Truck Company, Kirkland, Washington, 2005, 20•page brochure.
 "AeroCab," Kenworth Truck Company, Kirkland, Washington, as early as 1995, 3•page brochure.
 "T600," Kenworth Truck Company, Kirkland, Washington, 1996, 7•page brochure.
 "The World's Best," Kenworth Truck Company, Kirkland, Washington, 1992, 12•page brochure.
 "Unibilt™ Cab Sleeper System," Peterbilt Motors Company, Denton Texas, Aug. 1994, 6•page brochure.

* cited by examiner



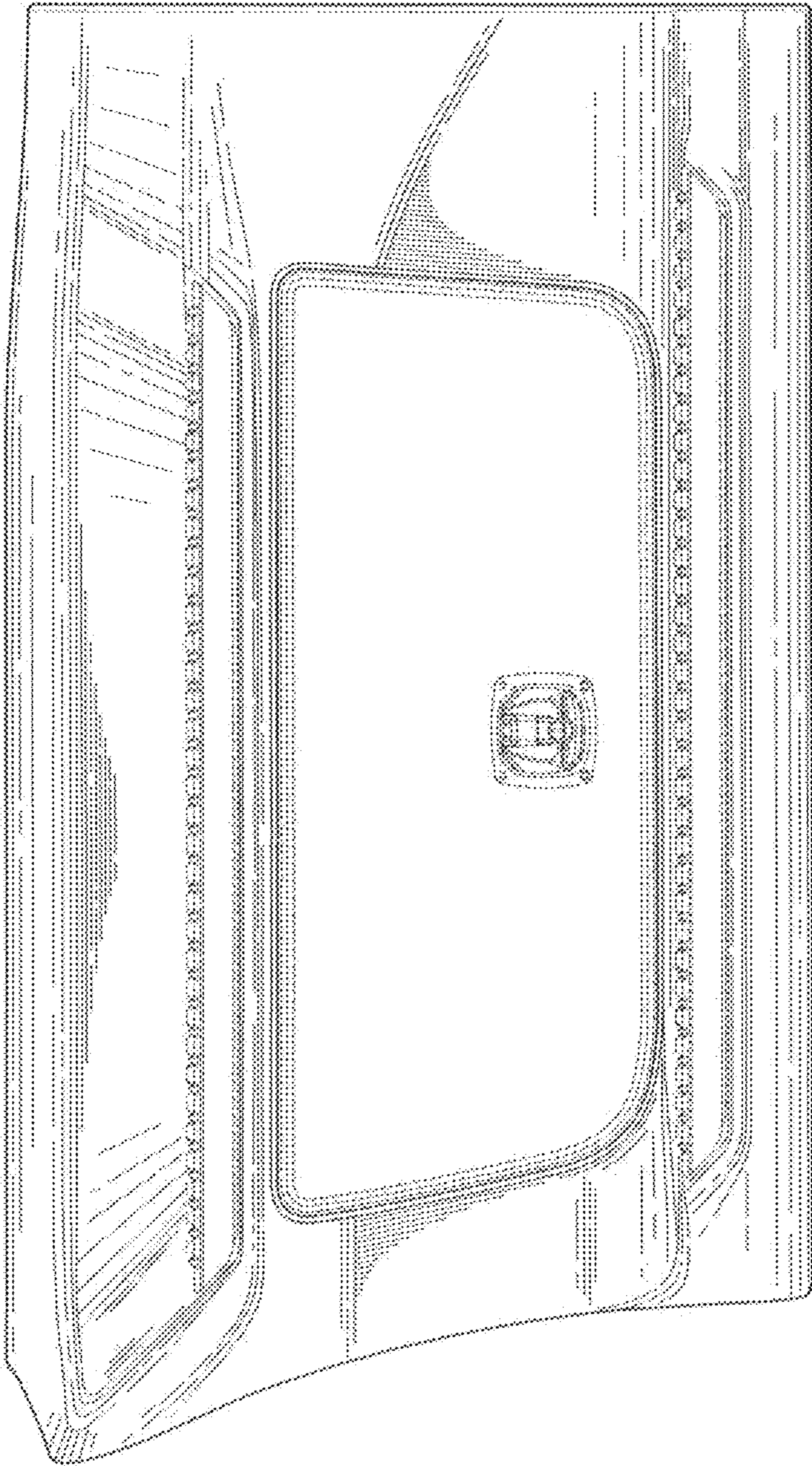


Fig. 2.

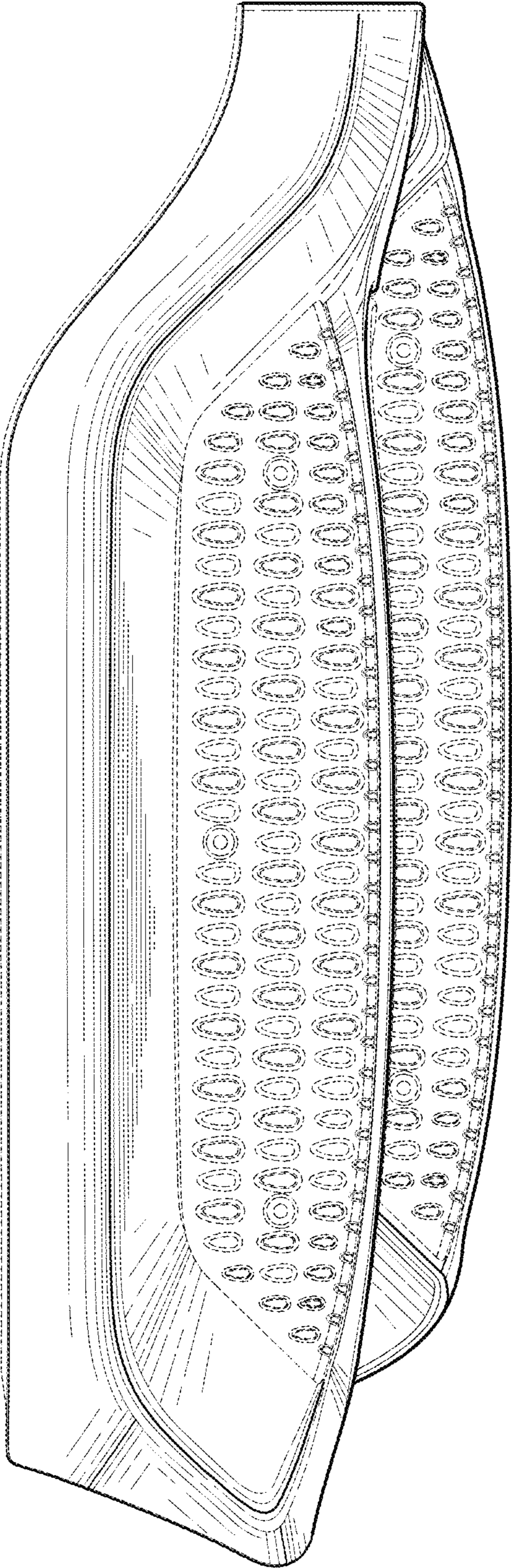


Fig. 3.

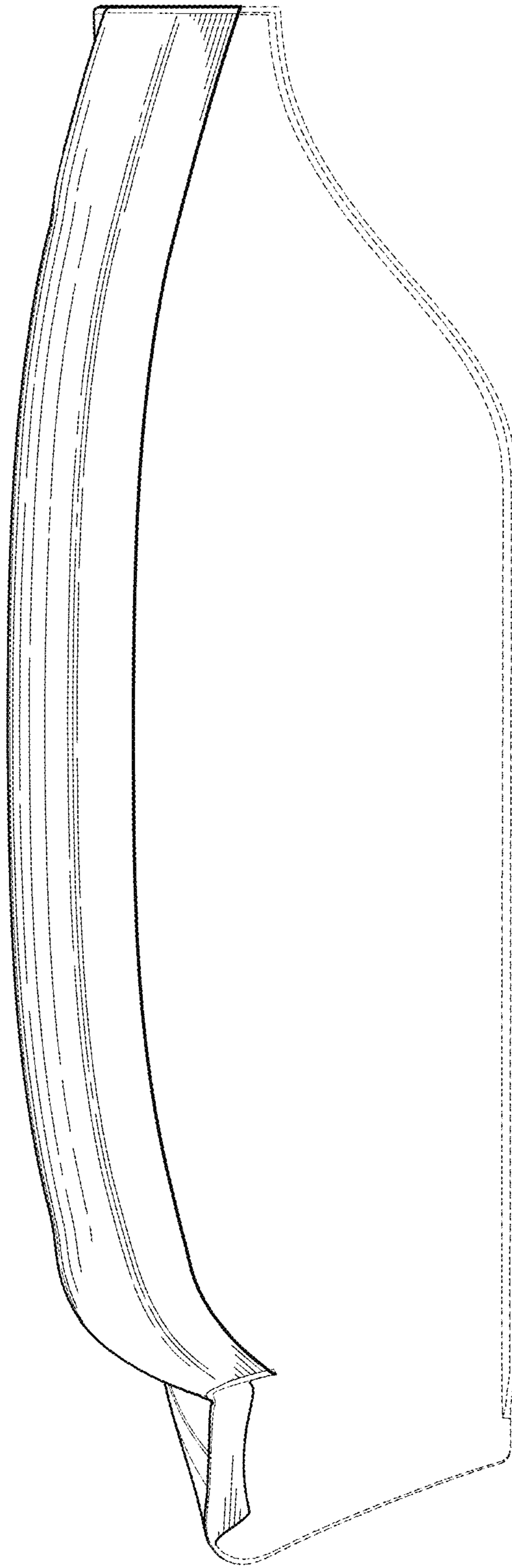


Fig. 4.

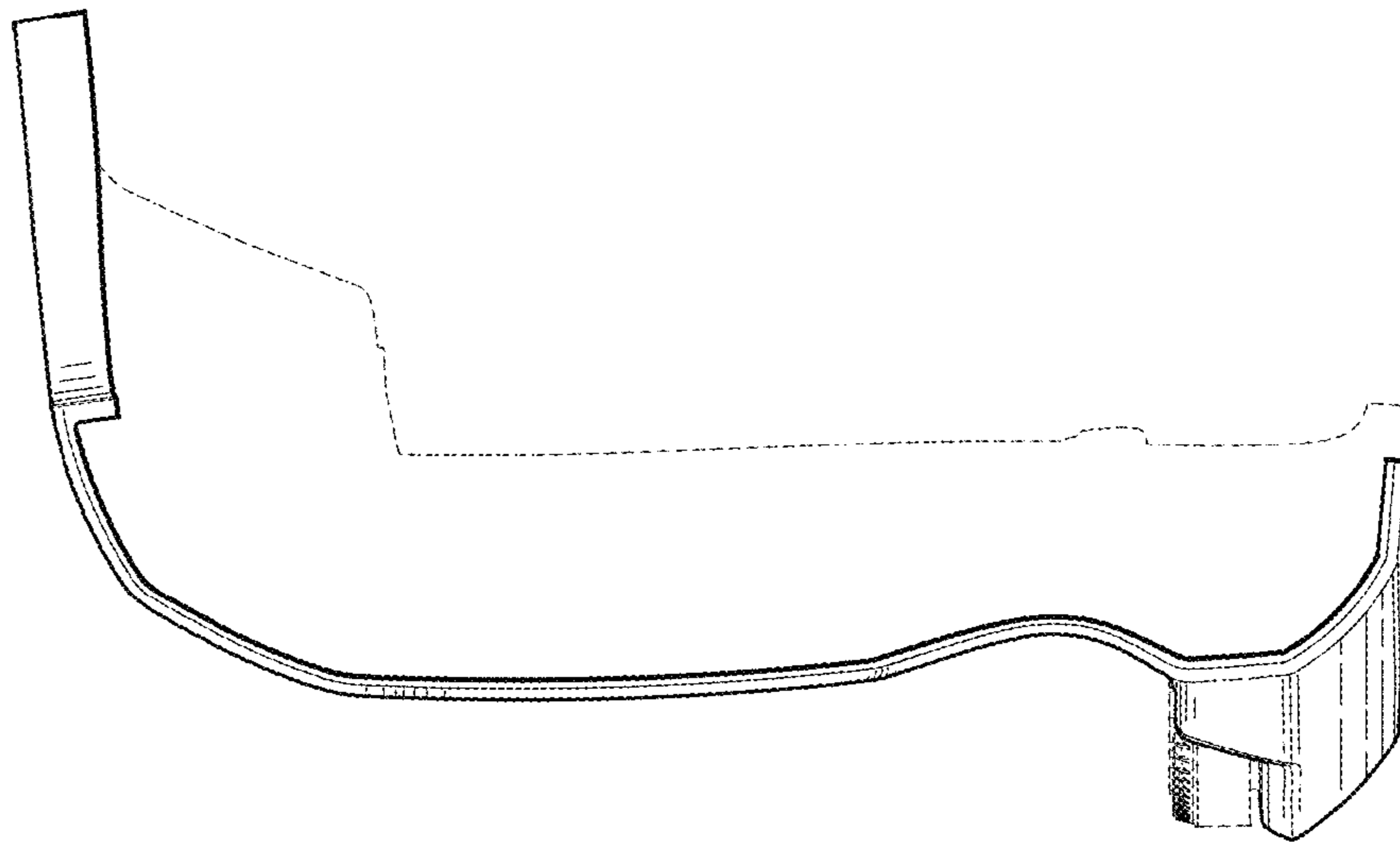


Fig. 6.

Fig. 5.

