



US00D708105S

(12) **United States Design Patent**  
**Leetz et al.**

(10) **Patent No.:** **US D708,105 S**  
(45) **Date of Patent:** **\*\* Jul. 1, 2014**

(54) **CHASSIS FAIRING**

(71) Applicants: **David Leetz**, Denton, TX (US); **Piotr Stegawski**, Kirkland, WA (US); **Casey W. Keil**, Renton, WA (US); **Paul W. Seiler**, Lynnwood, WA (US); **Justin Drummond**, Austin, TX (US)

(72) Inventors: **David Leetz**, Denton, TX (US); **Piotr Stegawski**, Kirkland, WA (US); **Casey W. Keil**, Renton, WA (US); **Paul W. Seiler**, Lynnwood, WA (US); **Justin Drummond**, Austin, TX (US)

(73) Assignee: **PACCAR Inc**, Bellevue, WA (US)

(\*\*) Term: **14 Years**

(21) Appl. No.: **29/448,789**

(22) Filed: **Mar. 13, 2013**

(51) **LOC (10) Cl.** ..... **12-16**

(52) **U.S. Cl.**  
USPC ..... **D12/196**

(58) **Field of Classification Search**  
CPC .... B62D 23/005; B62D 25/02; B62D 25/025;  
B62D 25/08; B62D 33/077; B62D 35/001;  
B62D 35/005; B62D 35/007; B62D 35/008  
USPC ..... D12/90, 91, 92, 169, 196; 180/68.1,  
180/68.6; 296/56, 57.1, 102, 113, 115,  
296/184.1, 185.1, 186.1, 193.11  
See application file for complete search history.

(56) **References Cited**

**U.S. PATENT DOCUMENTS**

D265,983 S	8/1982	Sullivan
4,401,338 A	8/1983	Caldwell
4,408,792 A	10/1983	Sullivan
D271,191 S	11/1983	Amprim
D289,891 S	5/1987	Bielby
D290,455 S	6/1987	Konen
D312,609 S	12/1990	Preslik

D312,810 S	12/1990	Preslik	
D313,954 S	*	1/1991	Fingerle ..... D12/96
D314,163 S		1/1991	Harris
D319,036 S	*	8/1991	Fingerle ..... D12/96
D320,582 S		10/1991	Fingerle
D320,583 S		10/1991	Simons
D335,855 S		5/1993	Callaway

(Continued)

**OTHER PUBLICATIONS**

Tom Berg. Mack Emphasizes Fuel Economy with Pinnacle Announcements. Mar. 1, 2011 [online], [retrieved on Jan. 26, 2014]. Retrieved from the Internet <URL: <http://www.truckinginfo.com/channel/products/article/story/2011/03/mack-emphasizes-fuel-economy-with-pinnacle-announcements.aspx>>.\*

(Continued)

*Primary Examiner* — Philip S. Hyder

*Assistant Examiner* — Darlington Ly

(74) *Attorney, Agent, or Firm* — Christensen O'Connor Johnson Kindness PLLC

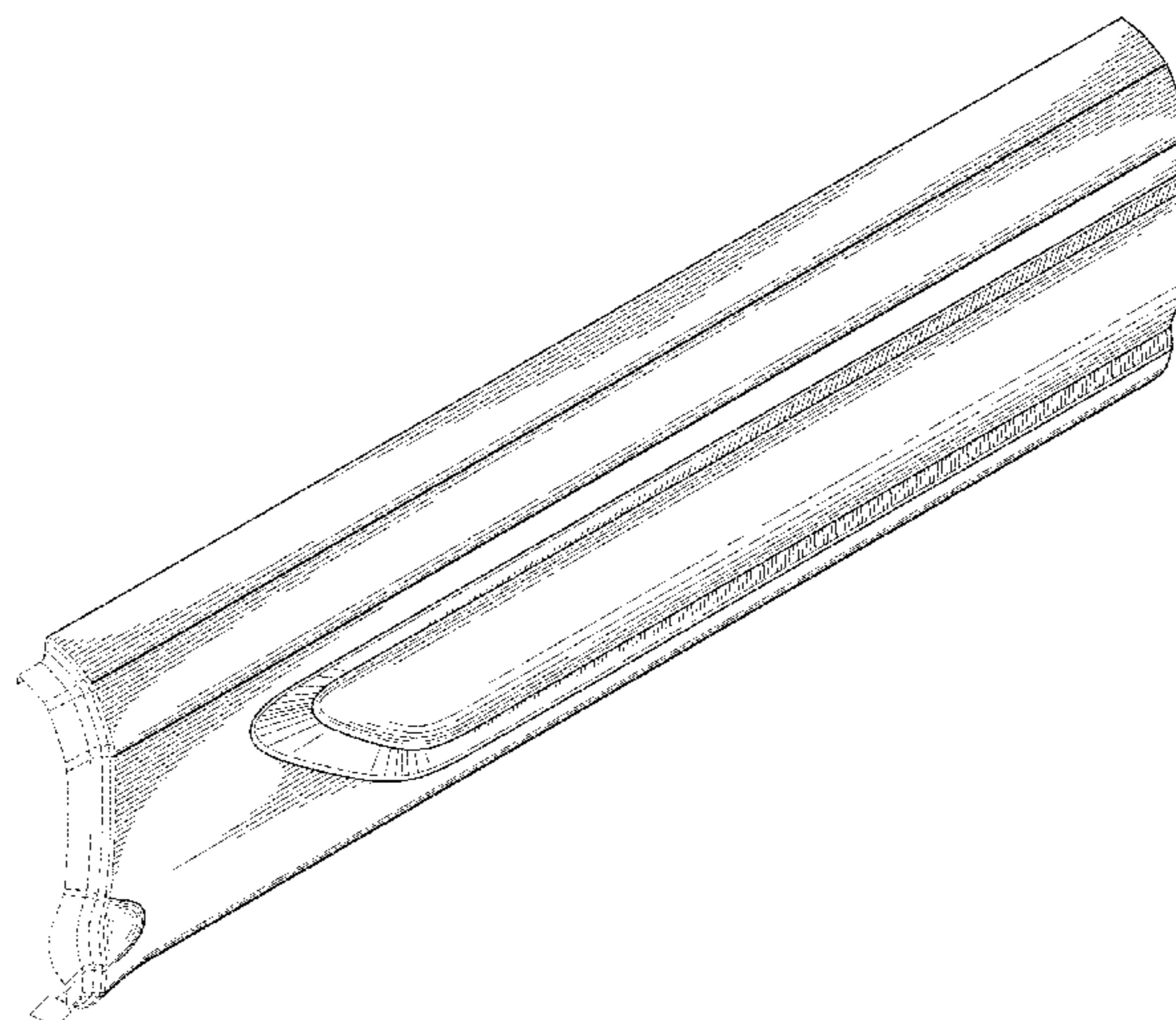
(57) **CLAIM**

The ornamental design for a chassis fairing, as shown and described.

**DESCRIPTION**

FIG. 1 is a perspective view of a chassis fairing according to our new design;  
FIG. 2 is a front view of the chassis fairing of FIG. 1;  
FIG. 3 is a top view of the chassis fairing of FIG. 1; and,  
FIG. 4 is a bottom view of the chassis fairing of FIG. 1.  
FIGS. 1-4 illustrate a first embodiment of our novel design suitable for use on the left side of a vehicle. Our novel design also includes a second embodiment suitable for use on the right side of a vehicle, which is mirror symmetrical to FIGS. 1-4 and therefore not separately illustrated.  
The broken lines shown in the drawings illustrate portions of the chassis fairing that forms no part of claimed design.

**1 Claim, 3 Drawing Sheets**



(56)

References Cited

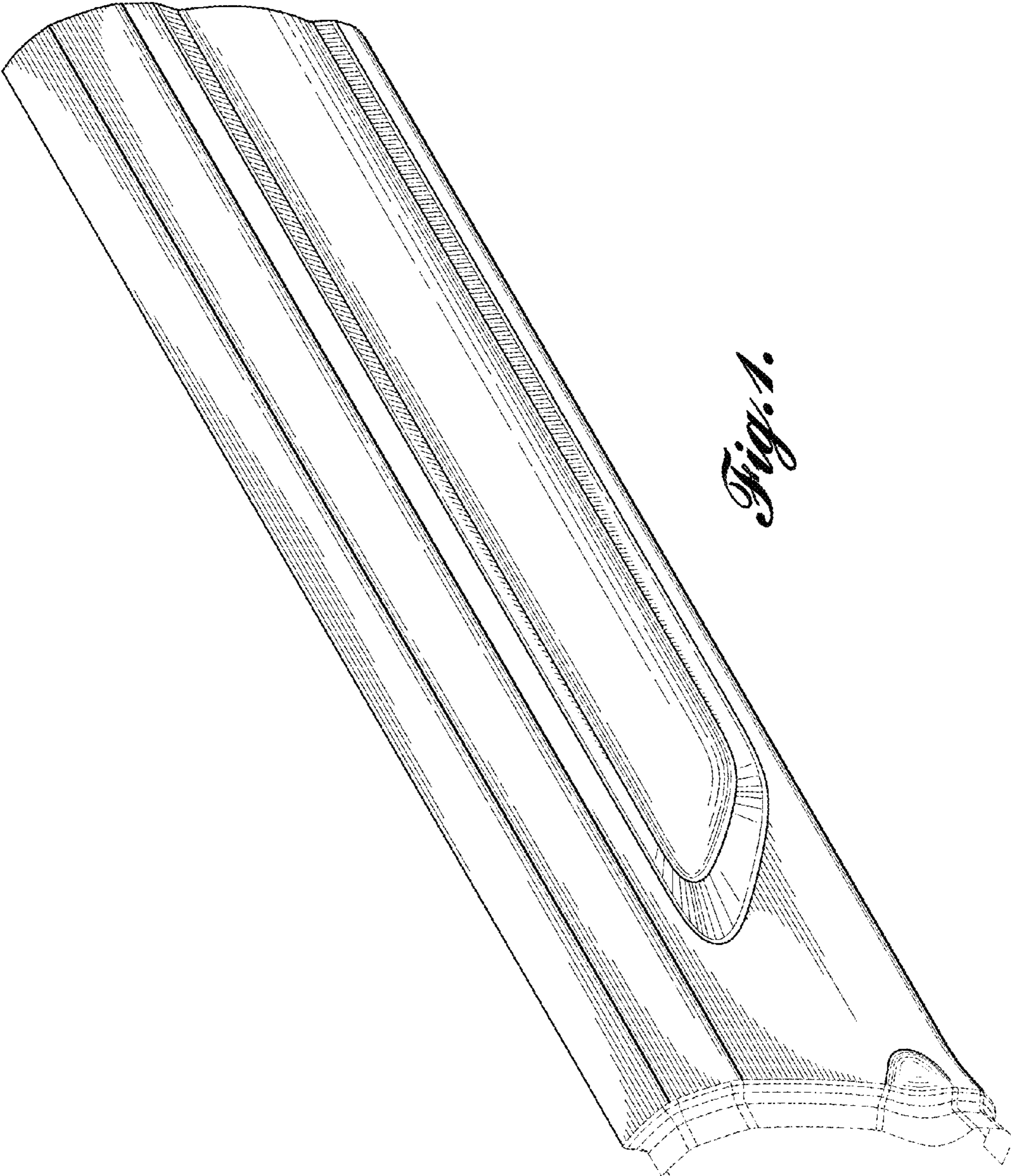
U.S. PATENT DOCUMENTS

D341,563 S 11/1993 Niemi  
 D356,770 S 3/1995 Almen  
 D374,418 S 10/1996 Griffin  
 D375,925 S 11/1996 Griffin  
 D391,524 S 3/1998 Anderson  
 D395,269 S 6/1998 McCauley, Jr.  
 D395,848 S \* 7/1998 Meryman et al. .... D12/97  
 D399,465 S 10/1998 Saleen  
 D399,791 S 10/1998 Hellhake  
 D399,792 S 10/1998 Hellhake  
 D403,999 S 1/1999 Lund  
 D411,410 S 6/1999 Pedrini  
 D420,622 S 2/2000 Hellhake  
 D424,999 S 5/2000 Carlson  
 D433,365 S 11/2000 Beigel  
 D433,967 S 11/2000 Delashaw  
 D433,981 S \* 11/2000 Davis et al. .... D12/196  
 D434,348 S 11/2000 Delashaw  
 D436,894 S 1/2001 Barraclough  
 D437,258 S 2/2001 Meryman  
 D460,023 S 7/2002 Beigel  
 D465,749 S 11/2002 Beigel  
 D496,620 S \* 9/2004 Perfetti et al. .... D12/196  
 D499,679 S 12/2004 Perfetti  
 D519,891 S 5/2006 Lai  
 D522,426 S \* 6/2006 Beigel et al. .... D12/196  
 D522,945 S \* 6/2006 Beigel et al. .... D12/196  
 D531,946 S \* 11/2006 Angelo et al. .... D12/196  
 D535,597 S 1/2007 Herpel  
 D549,144 S \* 8/2007 Elliott et al. .... D12/196  
 D555,062 S \* 11/2007 Davidson ..... D12/196  
 D558,643 S 1/2008 Beigel  
 D566,639 S 4/2008 Elliott  
 D567,156 S 4/2008 Hutchins  
 D603,315 S 11/2009 Gamou  
 7,641,254 B2 \* 1/2010 Stegawski et al. .... 296/35.1  
 D613,224 S 4/2010 Beigel  
 D628,134 S 11/2010 Salnick  
 D643,353 S 8/2011 Balicki  
 D646,613 S 10/2011 Medina  
 D666,541 S 9/2012 Stimel, Jr.  
 8,506,004 B1 \* 8/2013 Vogel et al. .... 296/180.1  
 2005/0012344 A1 \* 1/2005 Sorrells et al. .... 292/169  
 2005/0040668 A1 2/2005 Wood

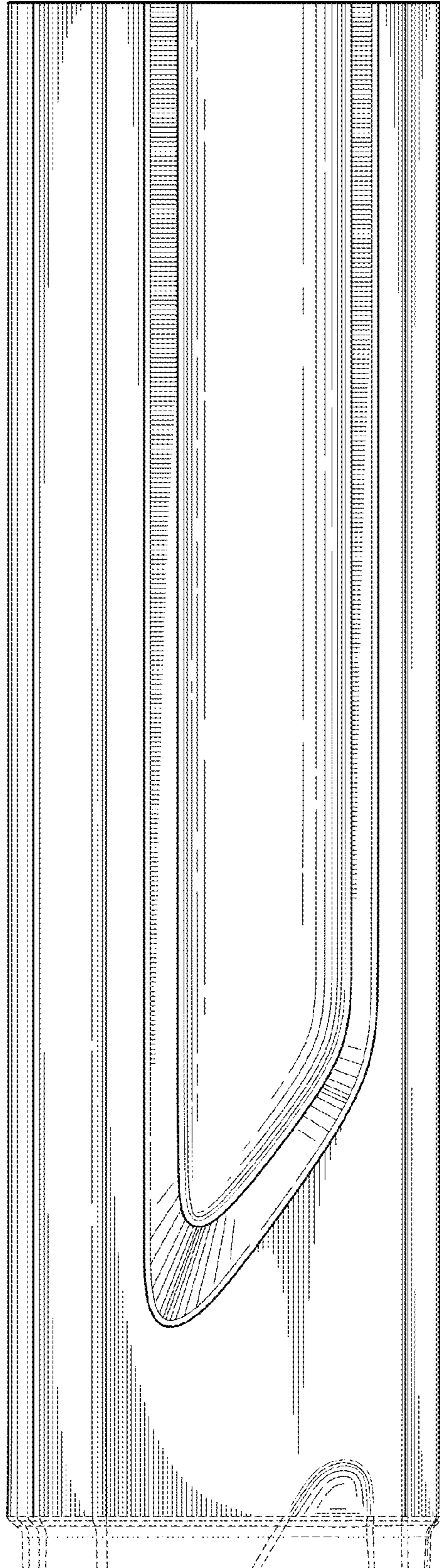
OTHER PUBLICATIONS

Henry Albert. On the road with Henry Albert. Five in a Row. Jan. 8, 2013 [online], [retrieved on Jan. 26, 2014]. Retrieved from the Internet <URL: <https://www.teamrunsmart.com/the-pros/henry-albert/january-2013/five-in-a-row>>.\*  
 "Class Pays," Peterbilt Motors Company, Denton, Texas, Sep. 1997, 10•page brochure.  
 "Class Pays," Peterbilt Motors Company, Denton, Texas, Nov. 1998, 10•page brochure.  
 "Class Pays, Truck Models," Peterbilt Motors Company, Denton, Texas, Mar. 2005, 24•page brochure.  
 "Kenworth Truck Models," Kenworth Truck Company, Kirkland, Washington, 2010, 16•page brochure.  
 "Model 377A/E," Peterbilt Motors Company, Denton, Texas, Jan. 1995, 6•page brochure.  
 "Model 377A/E," Peterbilt Motors Company, Denton, Texas, Aug. 1997, 2•page brochure.  
 "Model 385," Peterbilt Motors Company, Denton, Texas, Oct. 1996, 5•page brochure.  
 "Model 387," Peterbilt Motors Company, Denton, Texas, Oct. 2002, 2•page brochure.  
 "T600," Kenworth Truck Company, Kirkland, Washington, 2002, 28•page brochure.  
 "T600," Kenworth Truck Company, Kirkland, Washington, 2005, 24•page brochure.  
 "T660," Kenworth Truck Company, Kirkland, Washington, 2007, 36•page brochure.  
 "T660," Kenworth Truck Company, Kirkland, Washington, 2009, 36•page brochure.  
 "T700," Kenworth Truck Company, Kirkland, Washington, 2010, 6•page brochure.  
 "T2000," Kenworth Truck Company, Kirkland, Washington, 1999, 20•page brochure.  
 "T2000," Kenworth Truck Company, Kirkland, Washington, 2002, 20•page brochure.  
 "T2000," Kenworth Truck Company, Kirkland, Washington, 2005, 20•page brochure.  
 "AeroCab," Kenworth Truck Company, Kirkland, Washington, as early as 1995, 3•page brochure.  
 "T600," Kenworth Truck Company, Kirkland, Washington, 1996, 7•page brochure.  
 "Unibilt™ Cab Sleeper System," Peterbilt Motors Company, Denton Texas, Aug. 1994, 6•page brochure.

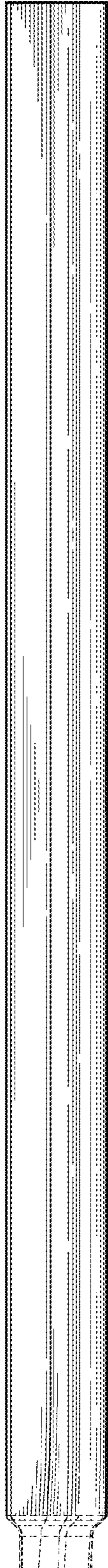
\* cited by examiner



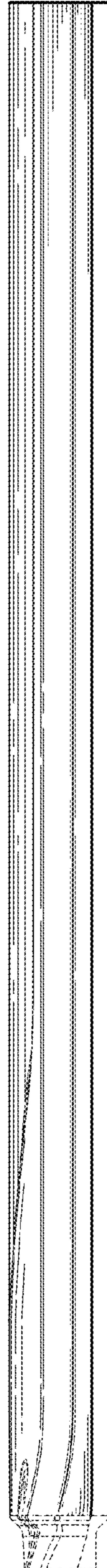
*Fig. 1.*



*Fig. 2.*



*Fig. 3.*



*Fig. 4.*