



US00D708096S

(12) **United States Design Patent**
Lasserre

(10) **Patent No.:** **US D708,096 S**
(45) **Date of Patent:** **** Jul. 1, 2014**

(54) **CUFFLINK**

(71) Applicant: **Harry Winston SA**, Plan-les-Ouates (CH)

(72) Inventor: **Christophe Lasserre**, Vandoeuvres (CH)

(73) Assignee: **Harry Winston SA**, Plan-les-Ouates (CH)

(**) Term: **14 Years**

(21) Appl. No.: **29/470,603**

(22) Filed: **Oct. 23, 2013**

(30) **Foreign Application Priority Data**

Apr. 24, 2013 (WO) DM/080794

(51) **LOC (10) Cl.** **02-07**

(52) **U.S. Cl.**
USPC **D11/222**

(58) **Field of Classification Search**
USPC D11/30, 200–231; 24/97, 120–103,
24/108, 623, 697.2, 688–690, 662, 381,
24/385, 713.8; 63/20, 12; D8/380,
D8/382–383, 356

See application file for complete search history.

(56) **References Cited**

U.S. PATENT DOCUMENTS

D432,947 S *	10/2000	Granshaw	D11/222
D449,564 S *	10/2001	Platt	D11/222
D508,432 S *	8/2005	Cogoli et al.	D11/222
D546,730 S *	7/2007	Nichanian	D11/226
D547,236 S *	7/2007	Arasheben et al.	D11/222
D551,117 S *	9/2007	Edocs	D11/222
D578,037 S *	10/2008	Edocs	D11/222
D592,544 S *	5/2009	Edocs	D11/222
D617,680 S *	6/2010	Graff	D11/222

* cited by examiner

Primary Examiner — T. Chase Nelson

Assistant Examiner — Mark Cavanna

(74) *Attorney, Agent, or Firm* — Donald J. Ranft; Collen IP

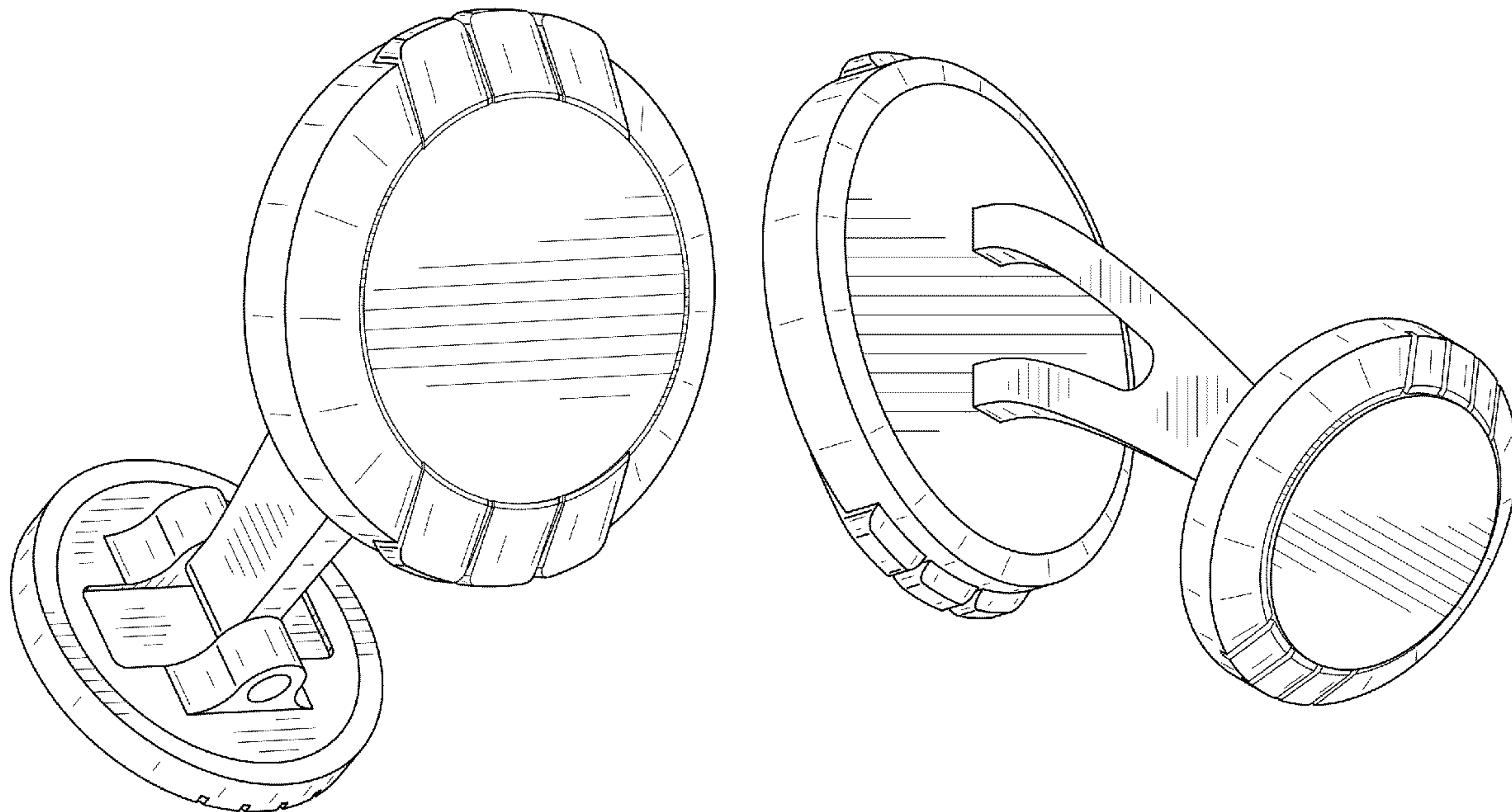
(57) **CLAIM**

The ornamental design for a cufflink, as shown and described.

DESCRIPTION

FIG. 1 is a front left perspective view of a cufflink showing my new design;
FIG. 2 is a bottom right perspective view thereof;
FIG. 3 is a front view thereof;
FIG. 4 is a rear view thereof;
FIG. 5 is a top view thereof;
FIG. 6 is a bottom view thereof; and,
FIG. 7 is a side view thereof.

1 Claim, 4 Drawing Sheets



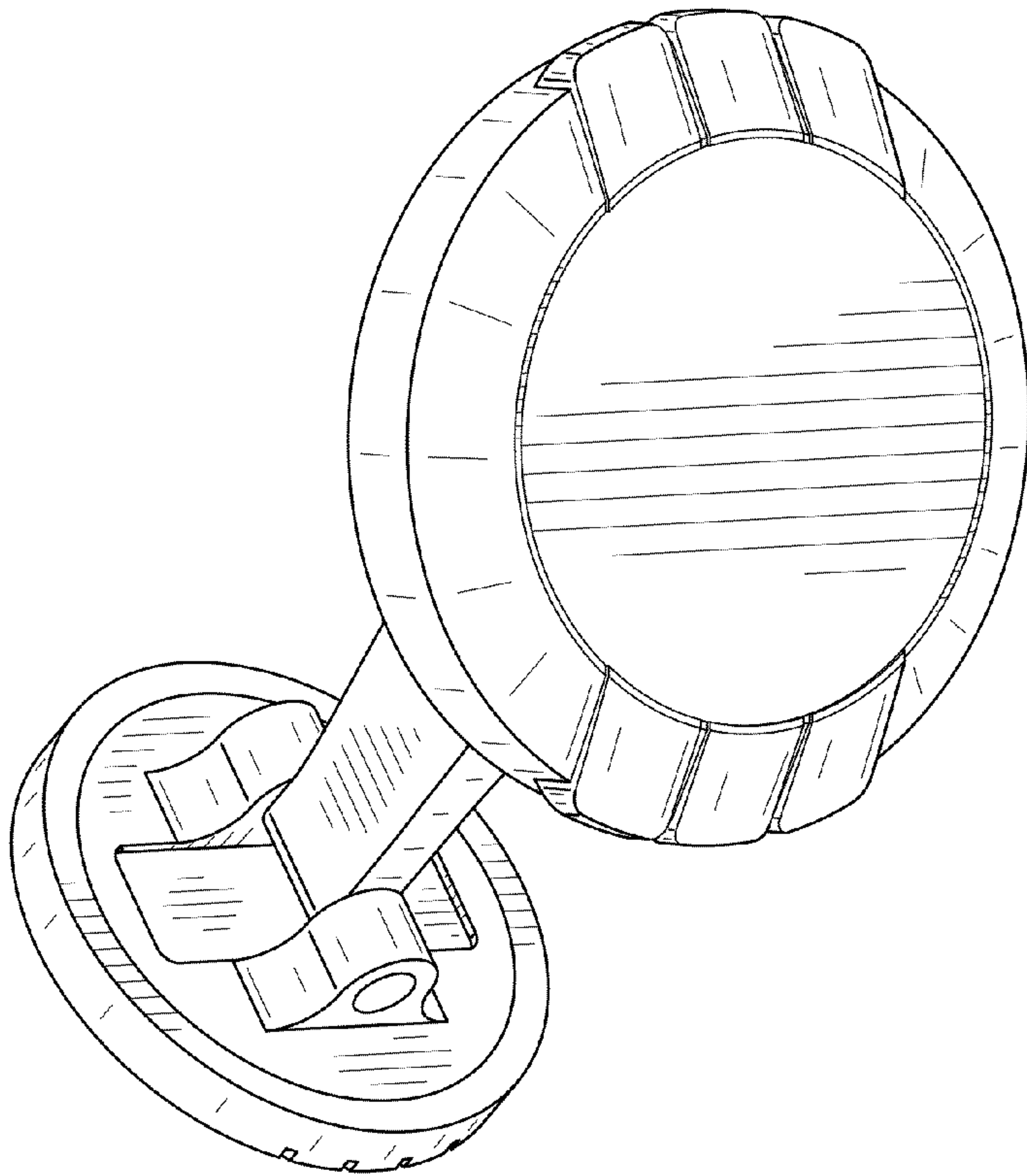


FIG. 1

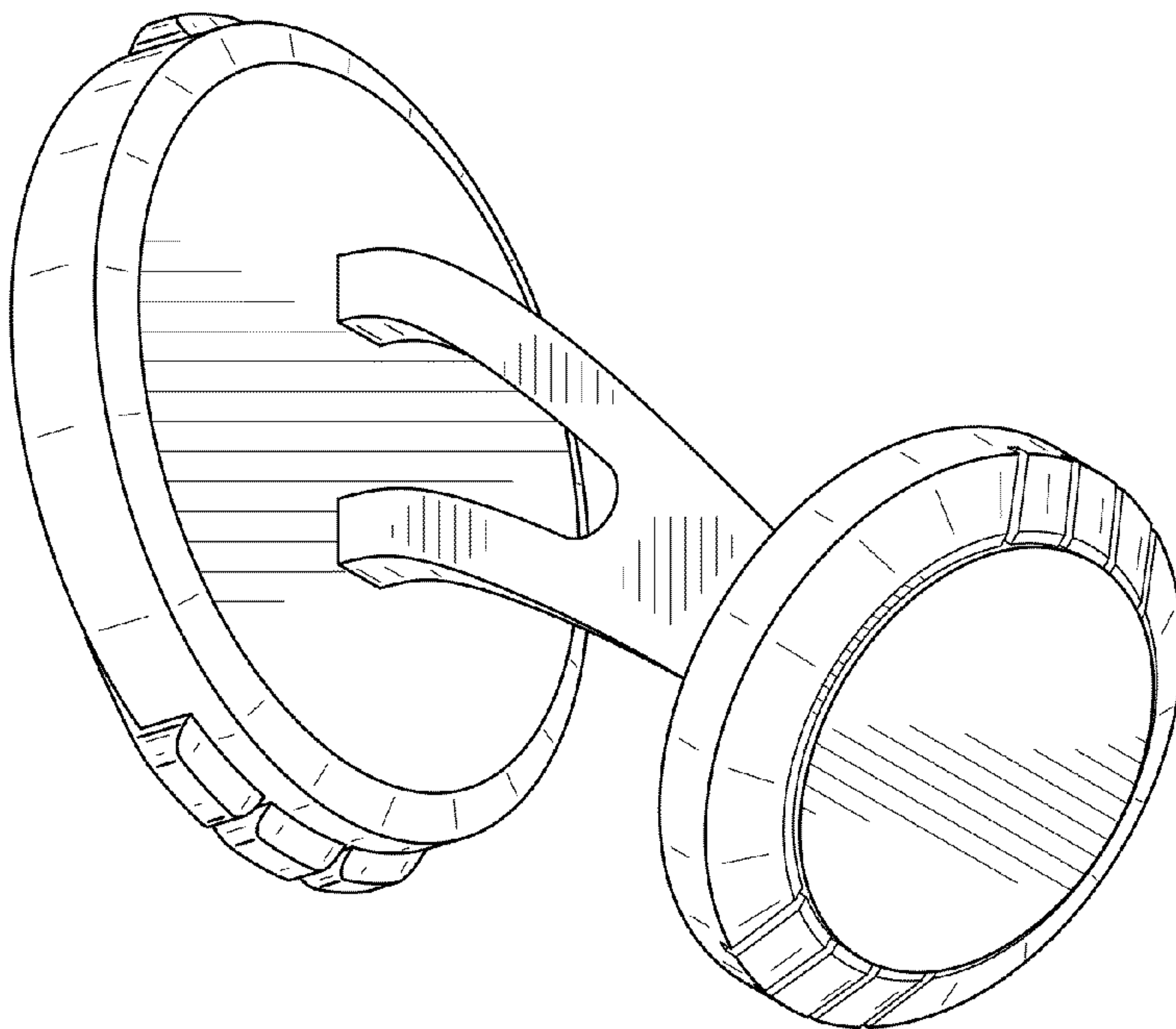


FIG. 2

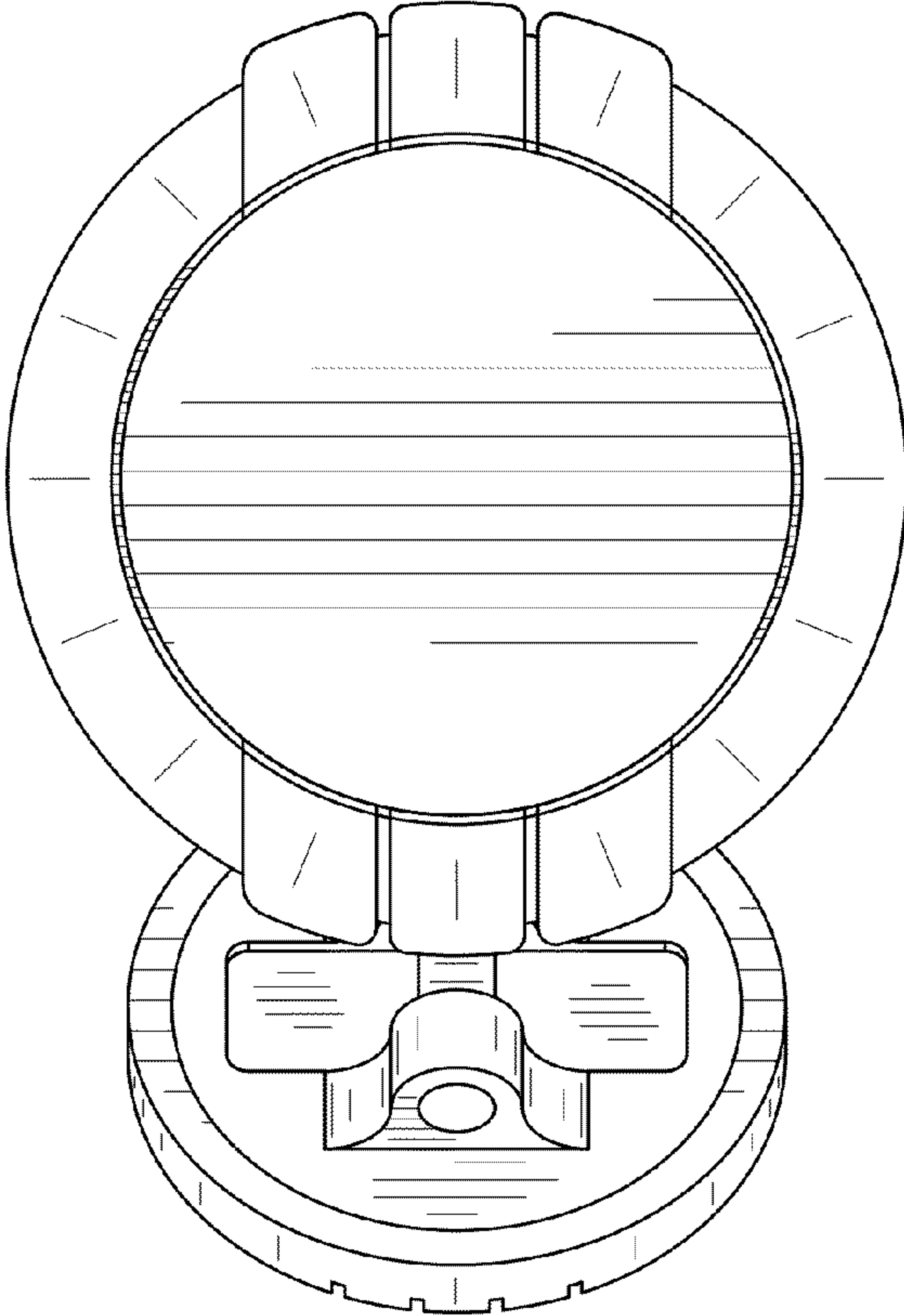


FIG. 3

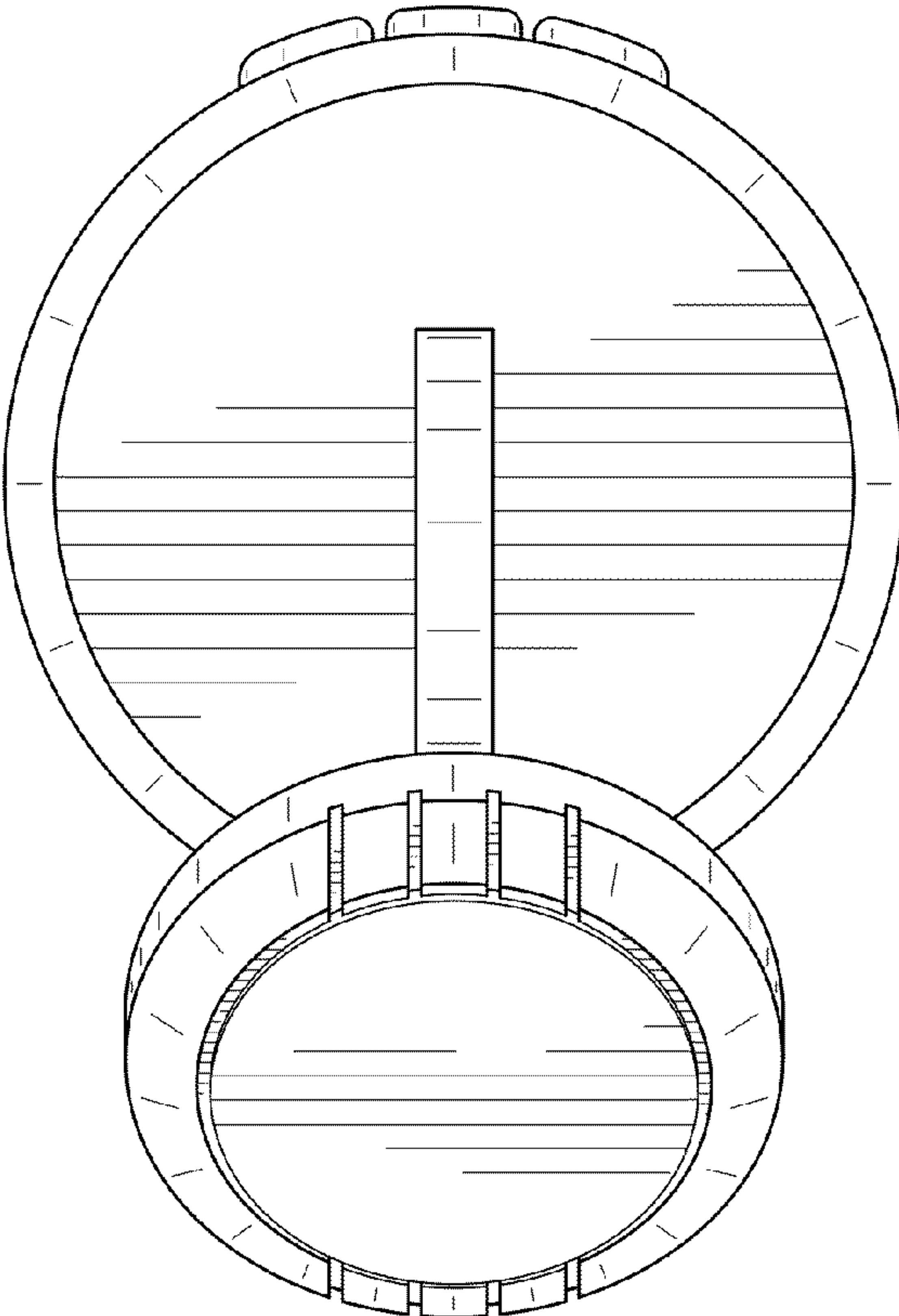


FIG. 4

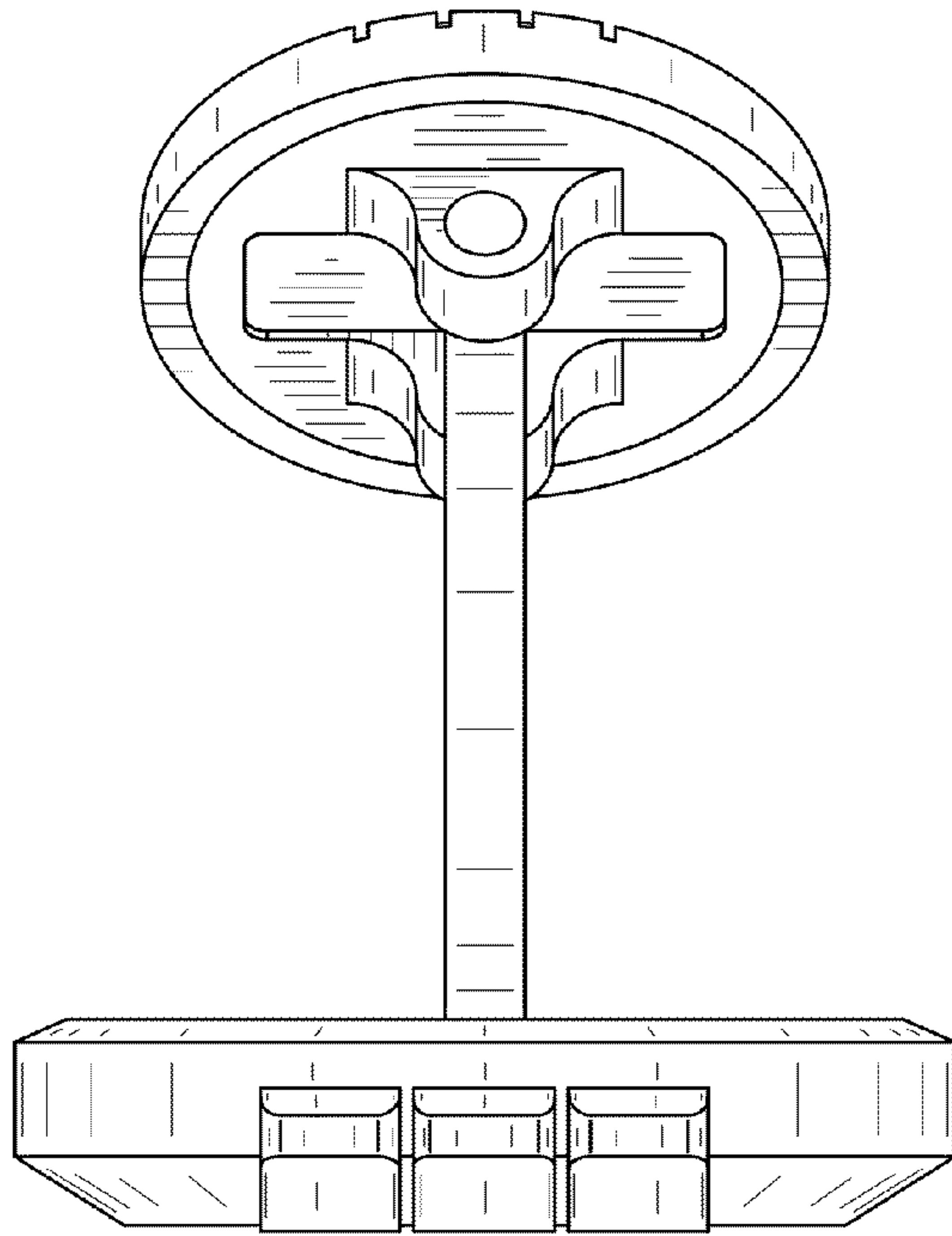


FIG. 5

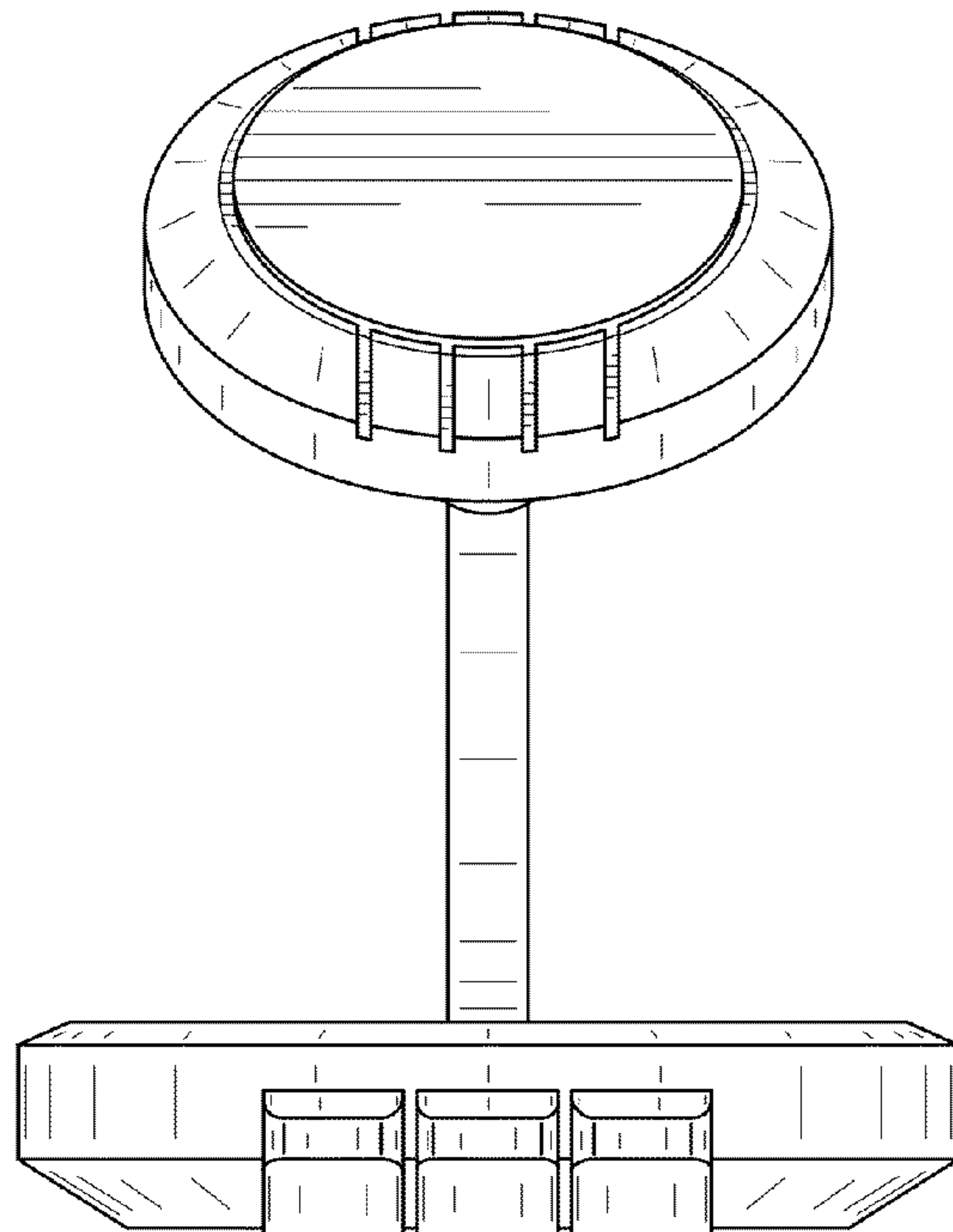


FIG. 6

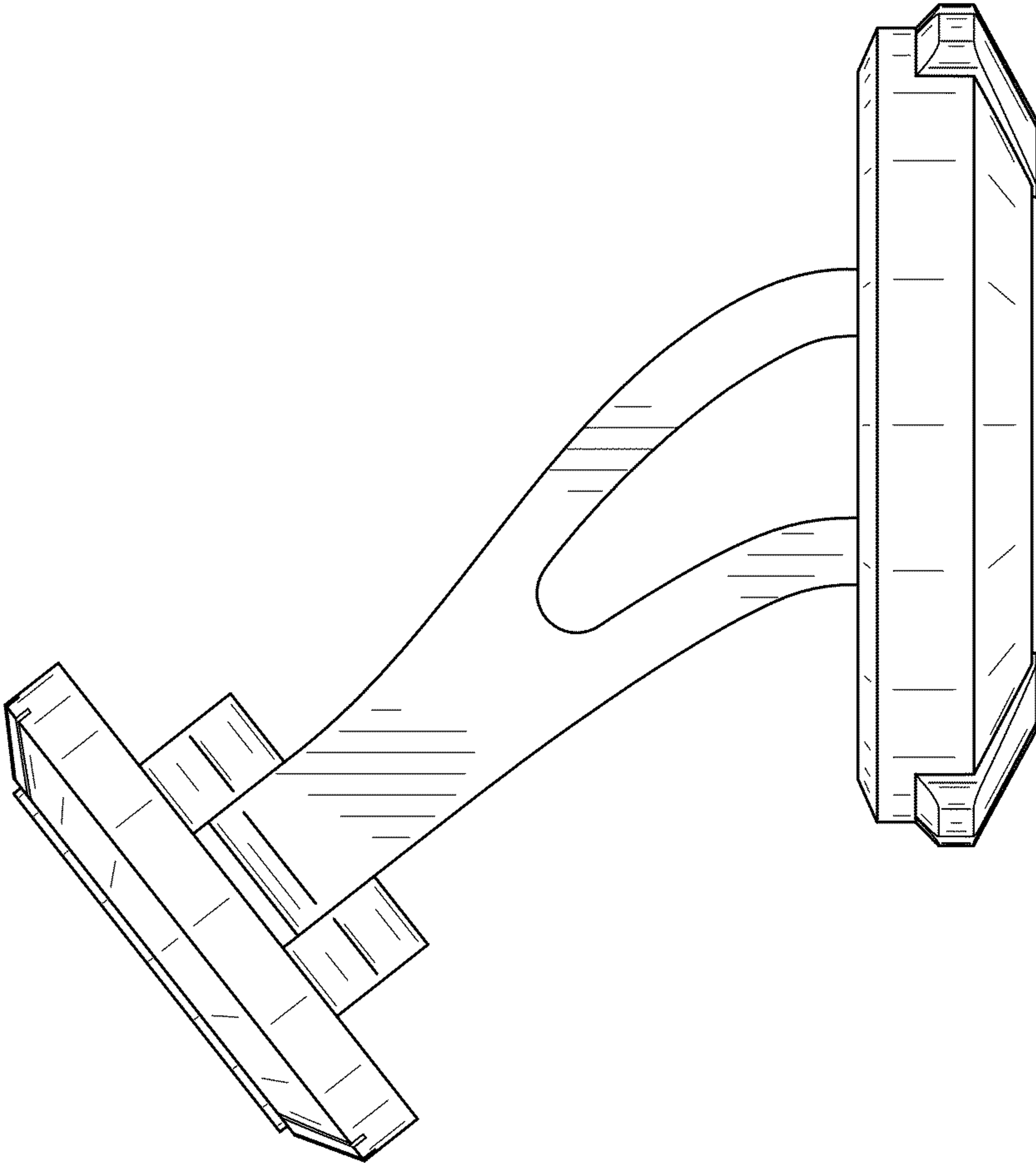


FIG. 7