



US00D708092S

(12) **United States Design Patent**
Foye et al.

(10) **Patent No.:** **US D708,092 S**
(45) **Date of Patent:** **** Jul. 1, 2014**

(54) **LINK FOR FORMING PART OF A CHARM BRACELET**

(71) Applicant: **Garrick Jewelers, Inc.**, Hanover, PA (US)

(72) Inventors: **Rick E. Foye**, Hanover, PA (US); **Devon L. Bond**, Hanover, PA (US); **Gary R. Bond**, Hanover, PA (US)

(73) Assignee: **Garrick Jewelers, Inc.**, Hanover, PA (US)

(**) Term: **14 Years**

(21) Appl. No.: **29/464,478**

(22) Filed: **Aug. 16, 2013**

(51) **LOC (10) Cl.** **11-01**

(52) **U.S. Cl.**
USPC **D11/93**

(58) **Field of Classification Search**
USPC D11/1-25, 32, 93, 94; 59/78, 79.2;
63/1.11, 3, 3.1, 3.2, 5.1, 5.2, 7-11;
224/175; D10/30-32
See application file for complete search history.

(56) **References Cited**

U.S. PATENT DOCUMENTS

D207,548 S * 5/1967 Poon D11/22
D323,133 S * 1/1992 Newmark D11/164

(Continued)

Primary Examiner — Zenia Bennett

(74) *Attorney, Agent, or Firm* — Hooker & Habib, P.C.

(57) **CLAIM**

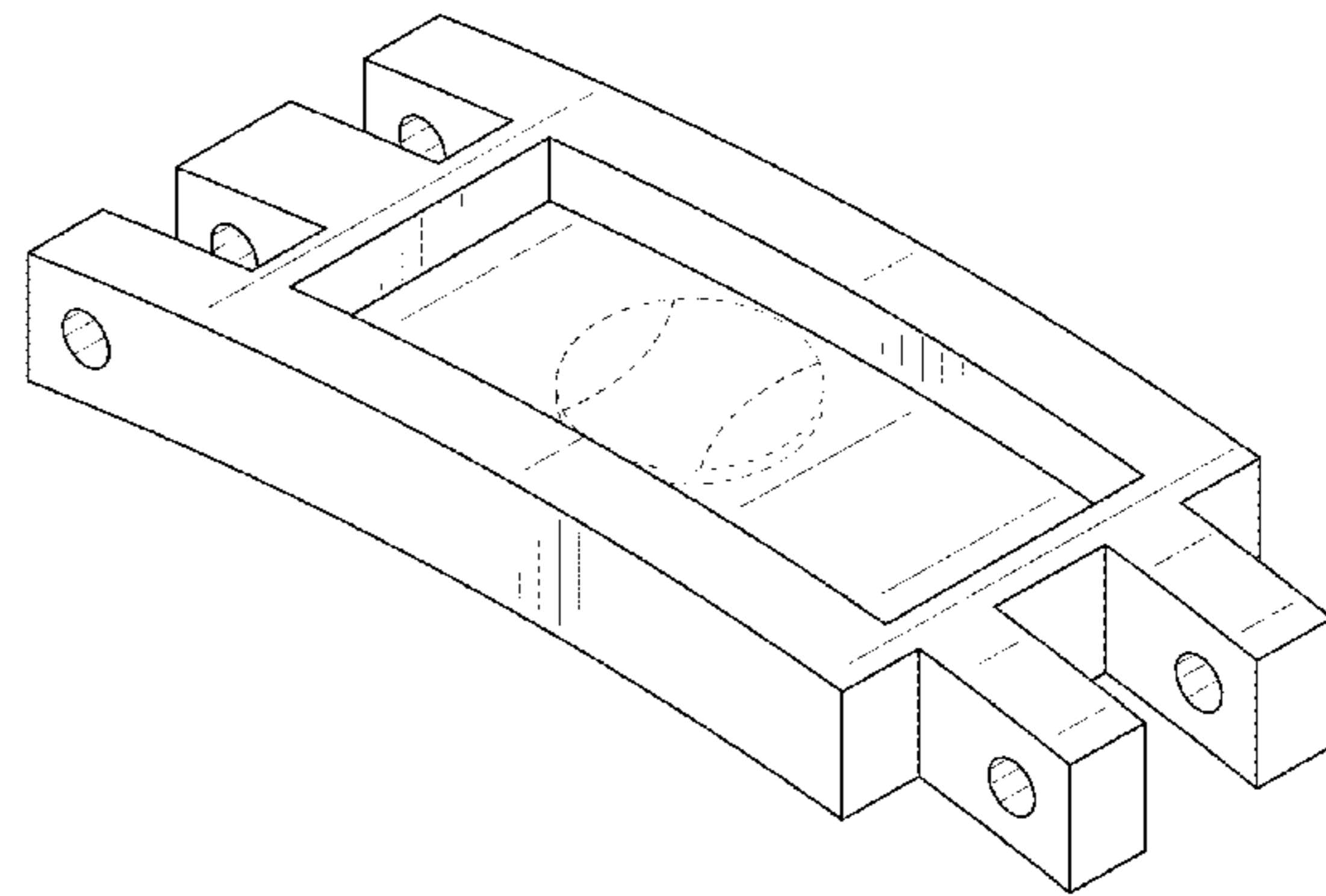
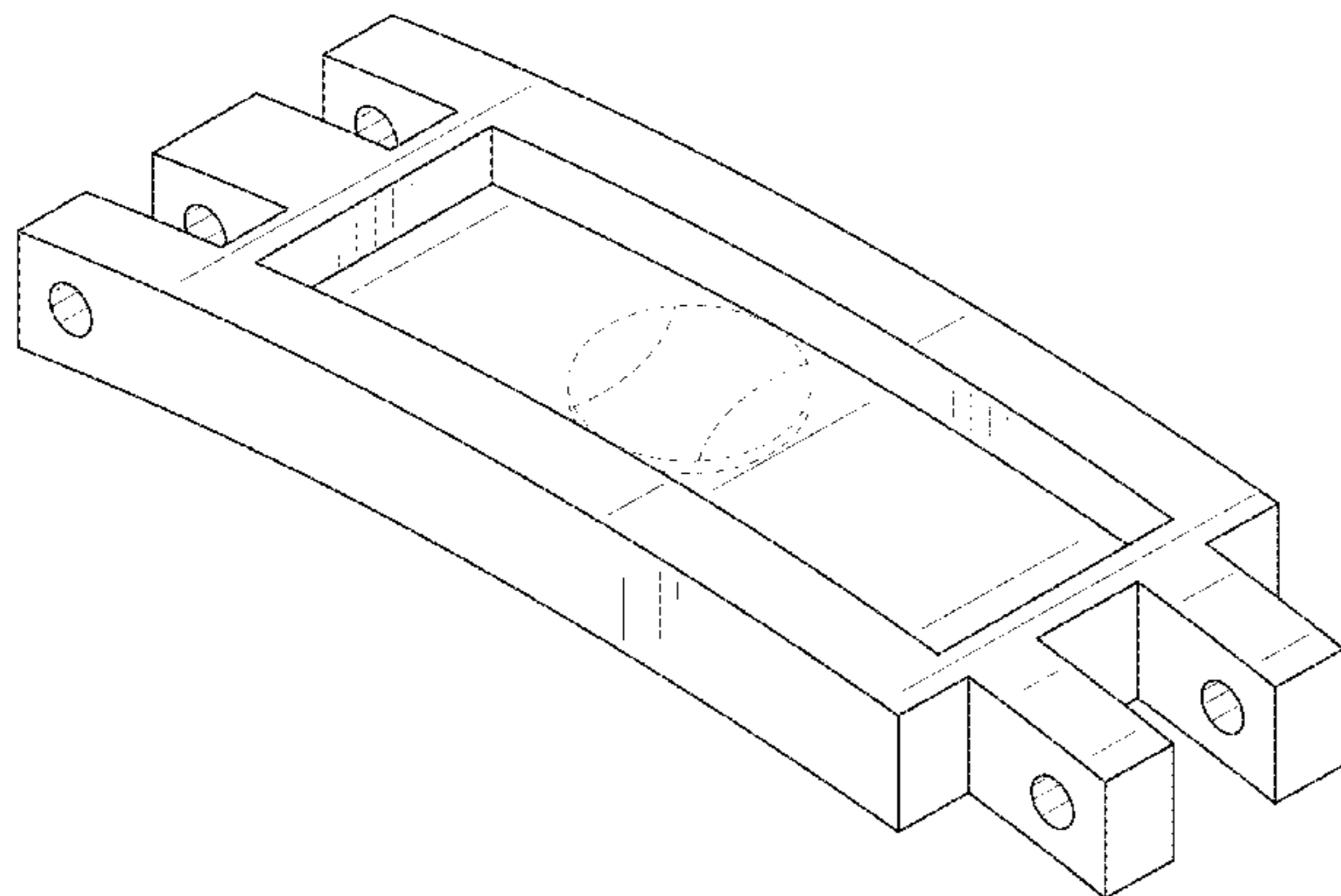
The ornamental design of a link for forming part of a charm bracelet, as shown and described.

DESCRIPTION

FIG. 1 is a front left perspective view of a first embodiment link;
FIG. 2 is a top view of the link shown in FIG. 1;
FIG. 3 is a bottom view of the link shown in FIG. 1;
FIG. 4 is a left side view of the link shown in FIG. 1, the right side view being a mirror image of FIG. 4;
FIG. 5 is a front view of the link shown in FIG. 1;
FIG. 6 is a rear view of the link shown in FIG. 1;
FIG. 7 is a front left perspective view of a second embodiment link;
FIG. 8 is a top view of the link shown in FIG. 7;
FIG. 9 is a bottom view of the link shown in FIG. 7;
FIG. 10 is a left side view of the link shown in FIG. 7, the right side view being a mirror image of FIG. 10;
FIG. 11 is a front view of the link shown in FIG. 7;
FIG. 12 is a rear view of the link shown in FIG. 7;
FIG. 13 is a front left perspective view of a third embodiment link;
FIG. 14 is a top view of the link shown in FIG. 13;
FIG. 15 is a bottom view of the link shown in FIG. 13;
FIG. 16 is a left side view of the link shown in FIG. 13, the right side view being a mirror image of FIG. 16;
FIG. 17 is a front view of the link shown in FIG. 13; and,
FIG. 18 is a rear view of the link shown in FIG. 13.

The broken line portions of the figure drawings are included to show unclaimed subject matter and form no part of the claimed design.

1 Claim, 12 Drawing Sheets



(56)

References Cited

U.S. PATENT DOCUMENTS

D354,445 S * 1/1995 Wunderman D10/32
D376,334 S * 12/1996 Mougnot D11/25
D382,504 S * 8/1997 Strasser D11/12

D441,681 S * 5/2001 Voirol D11/3
D637,106 S * 5/2011 Babyak D11/91
D656,856 S * 4/2012 Kleinberg D11/3
8,601,784 B2 * 12/2013 Kaltenrieder 59/78

* cited by examiner

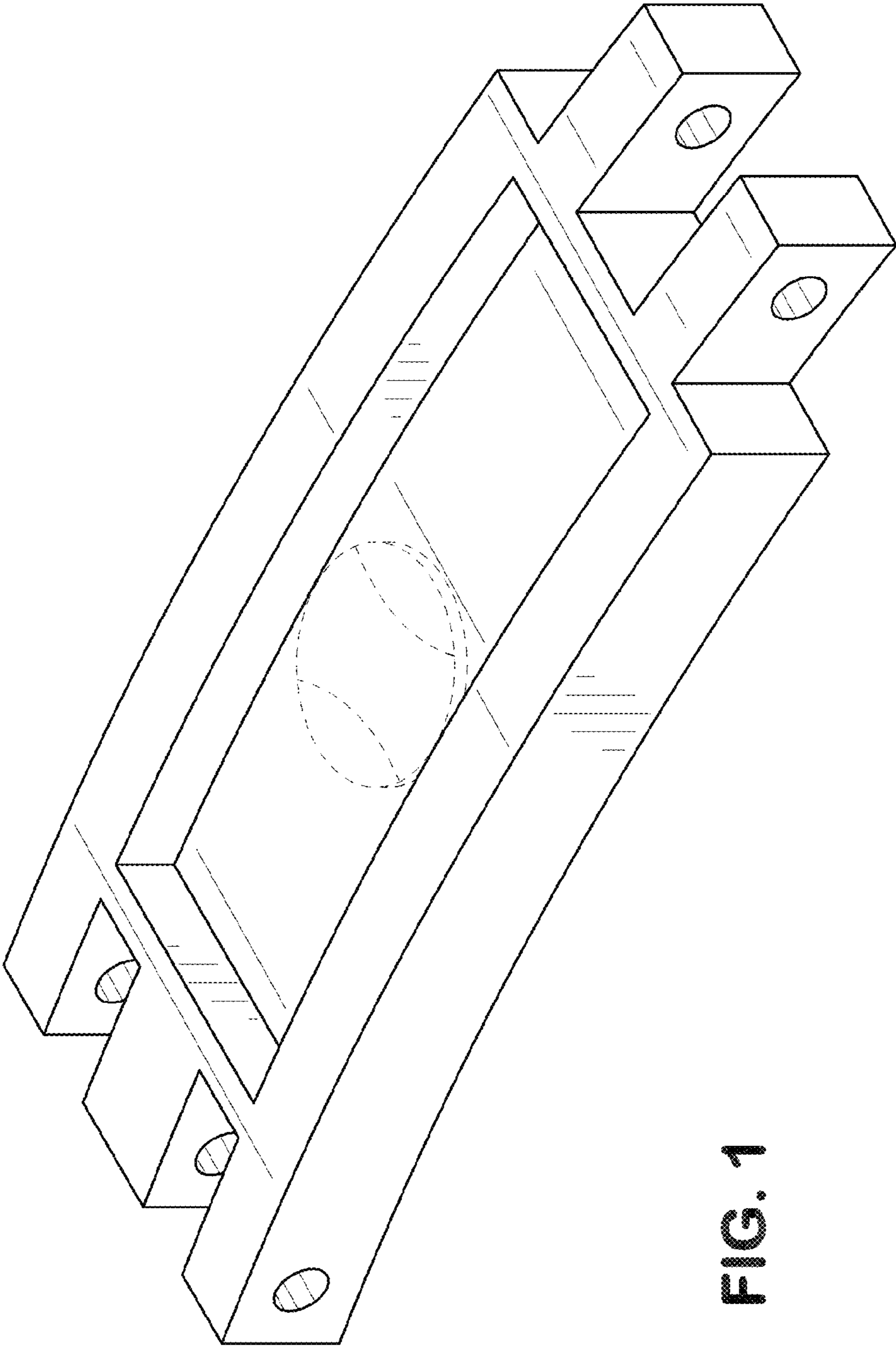


FIG. 1

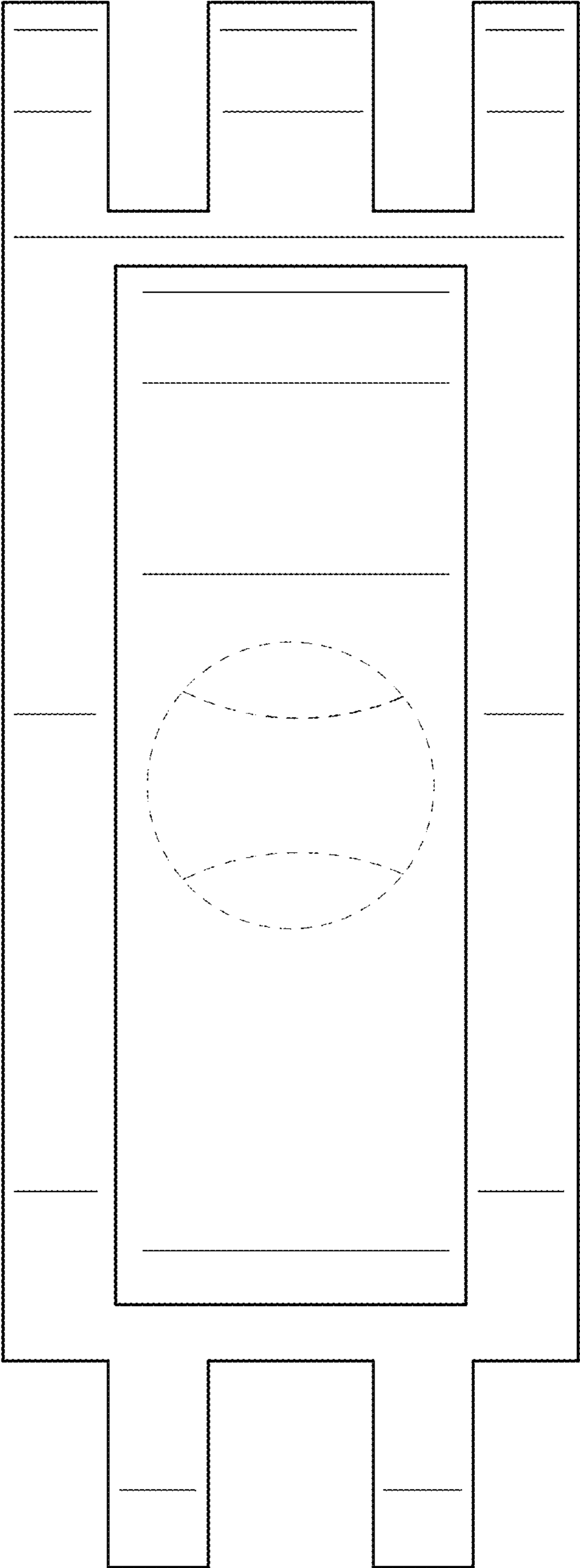


FIG. 2

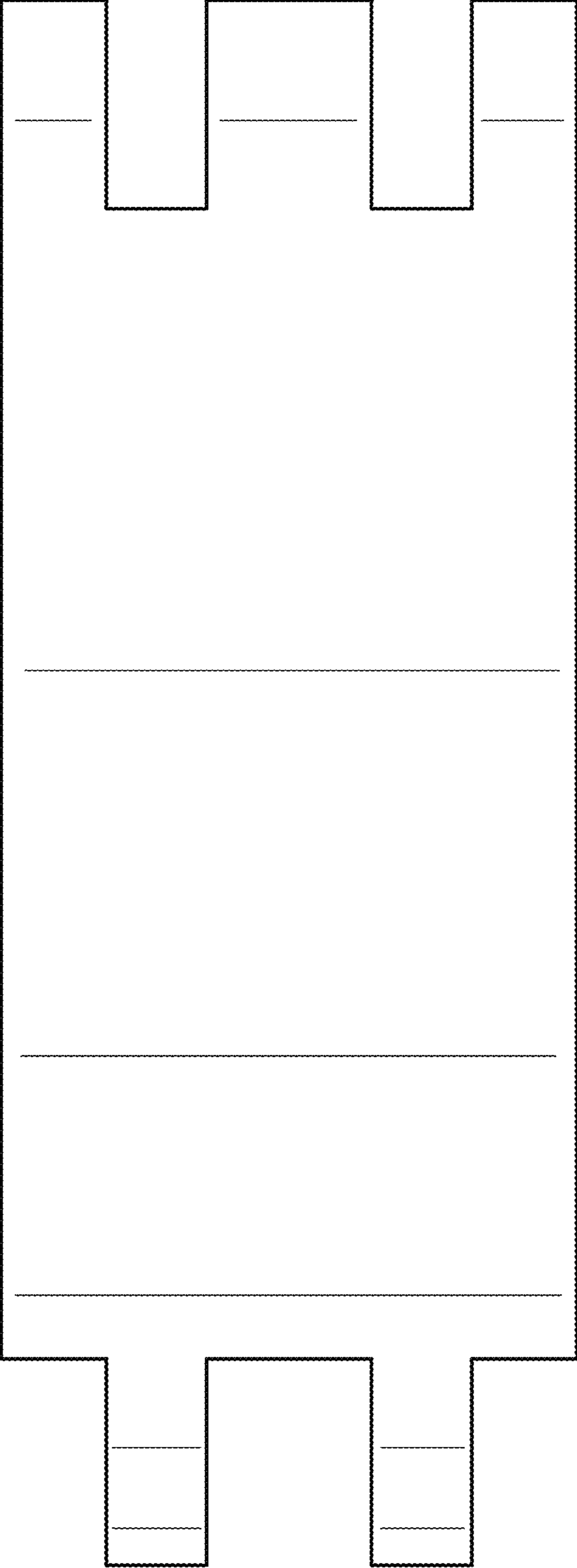


FIG. 3

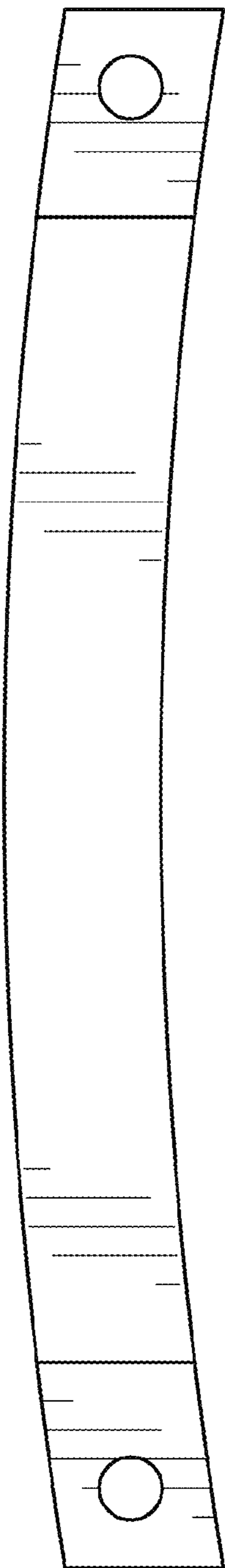


FIG. 4

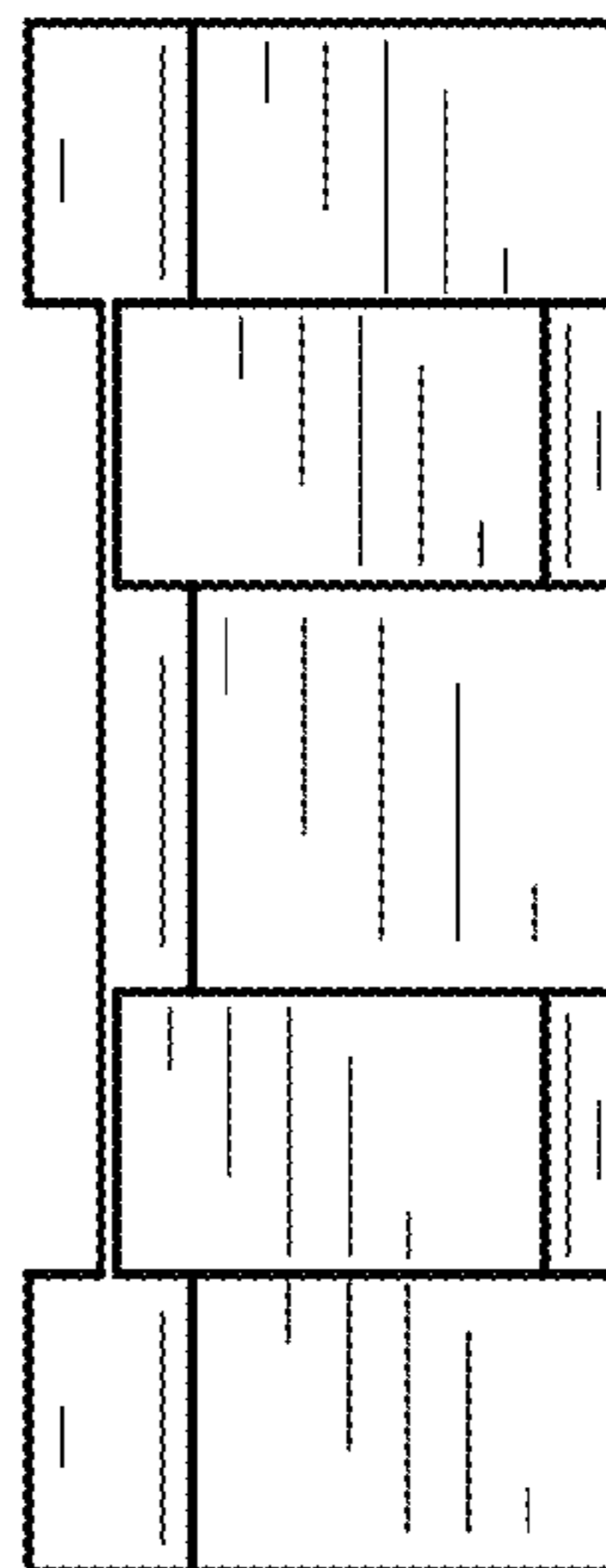


FIG. 5

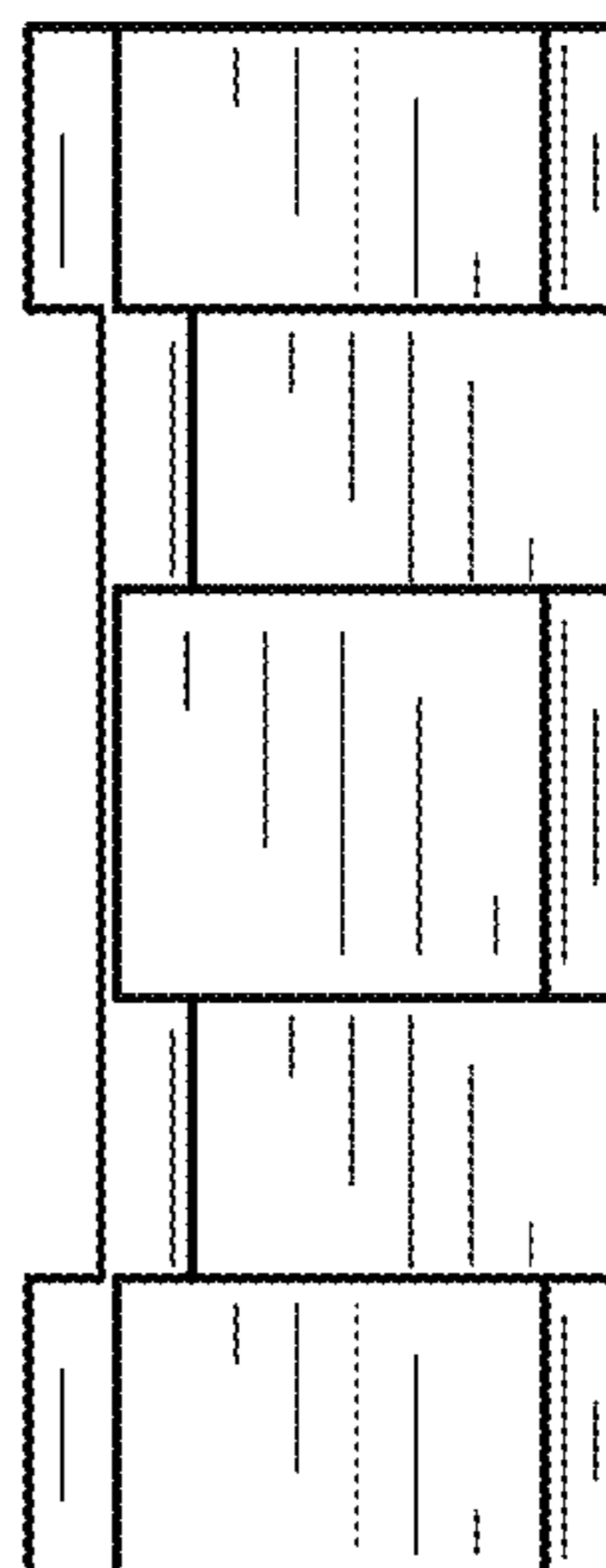


FIG. 6

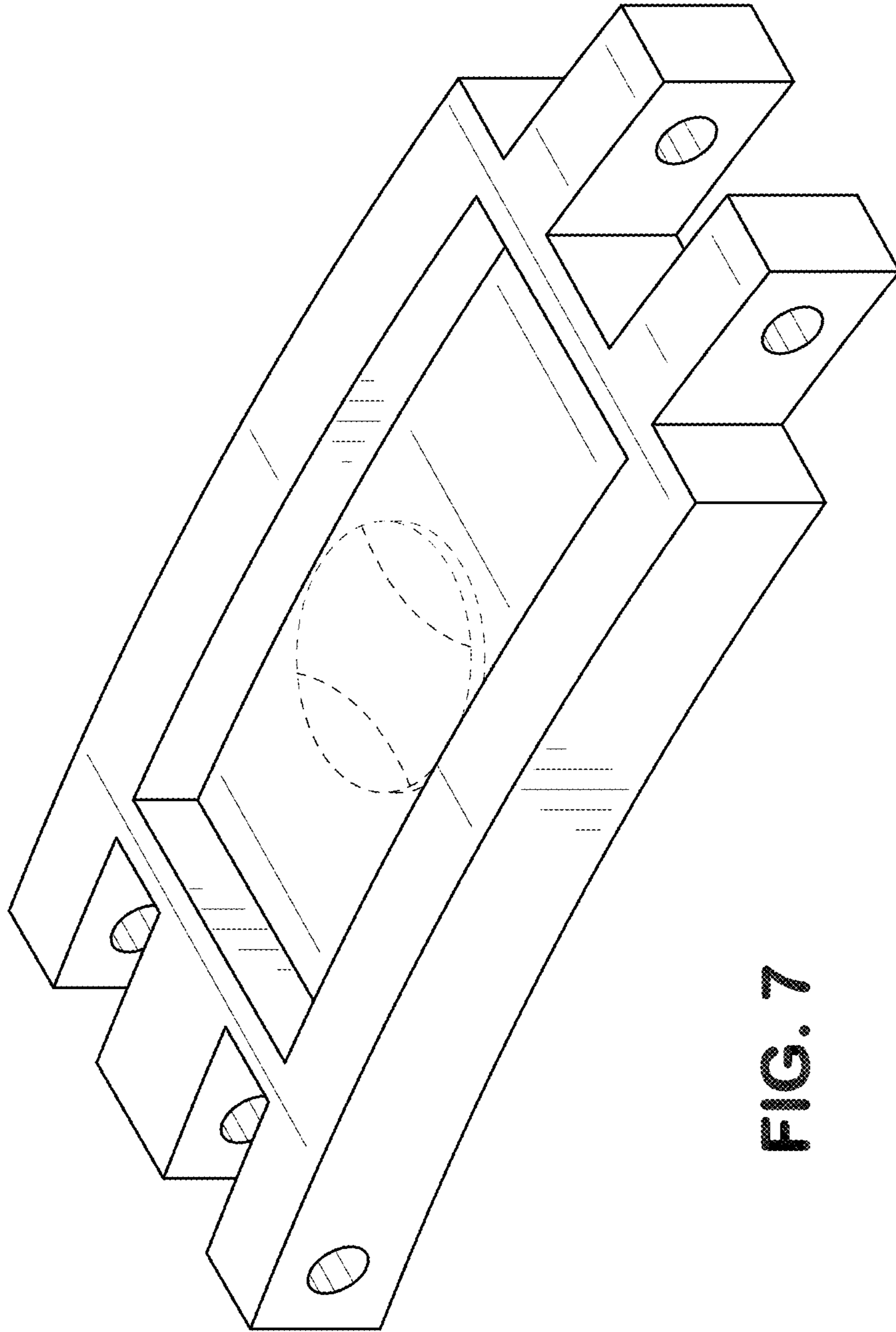


FIG. 7

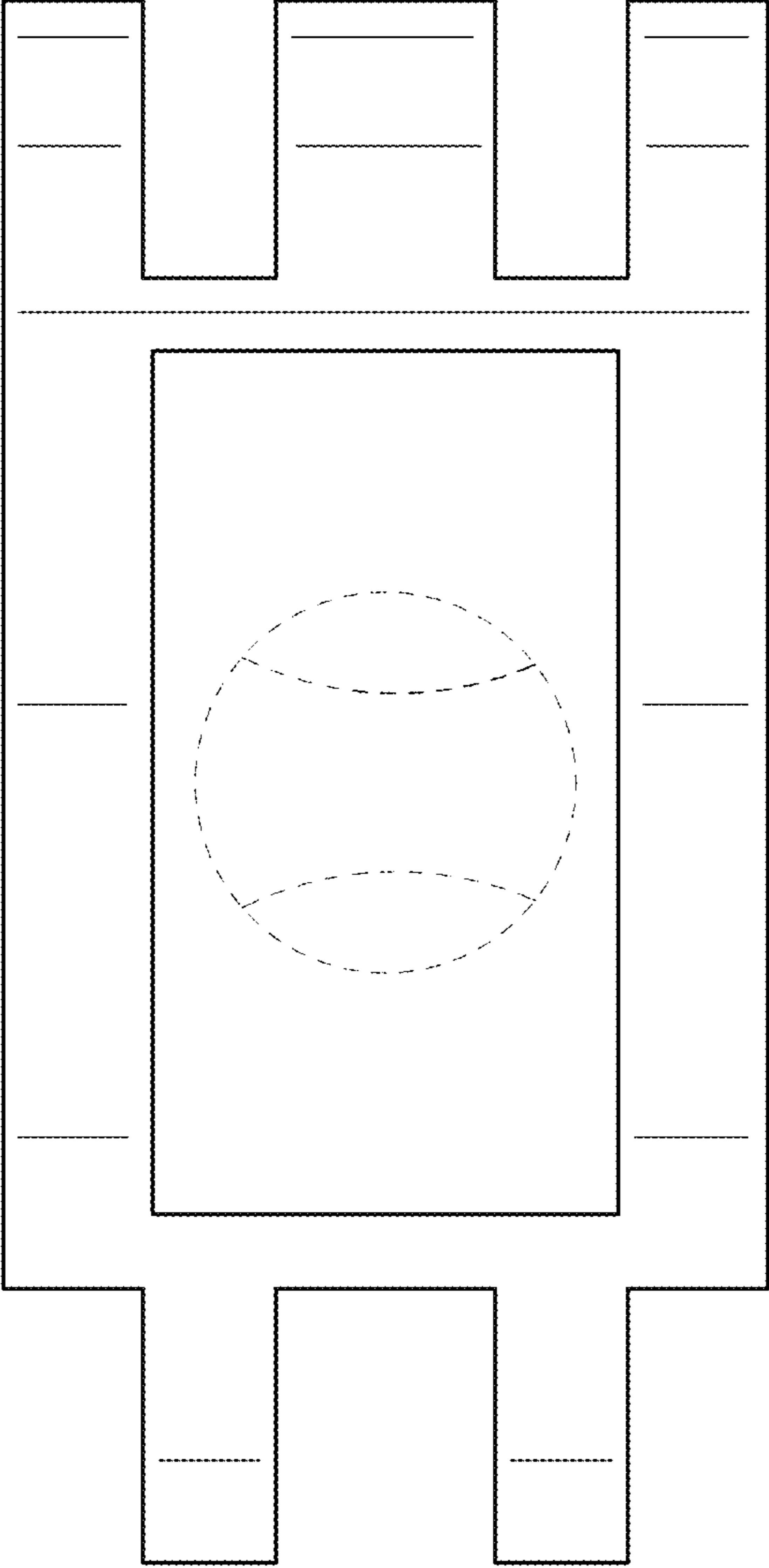


FIG. 8

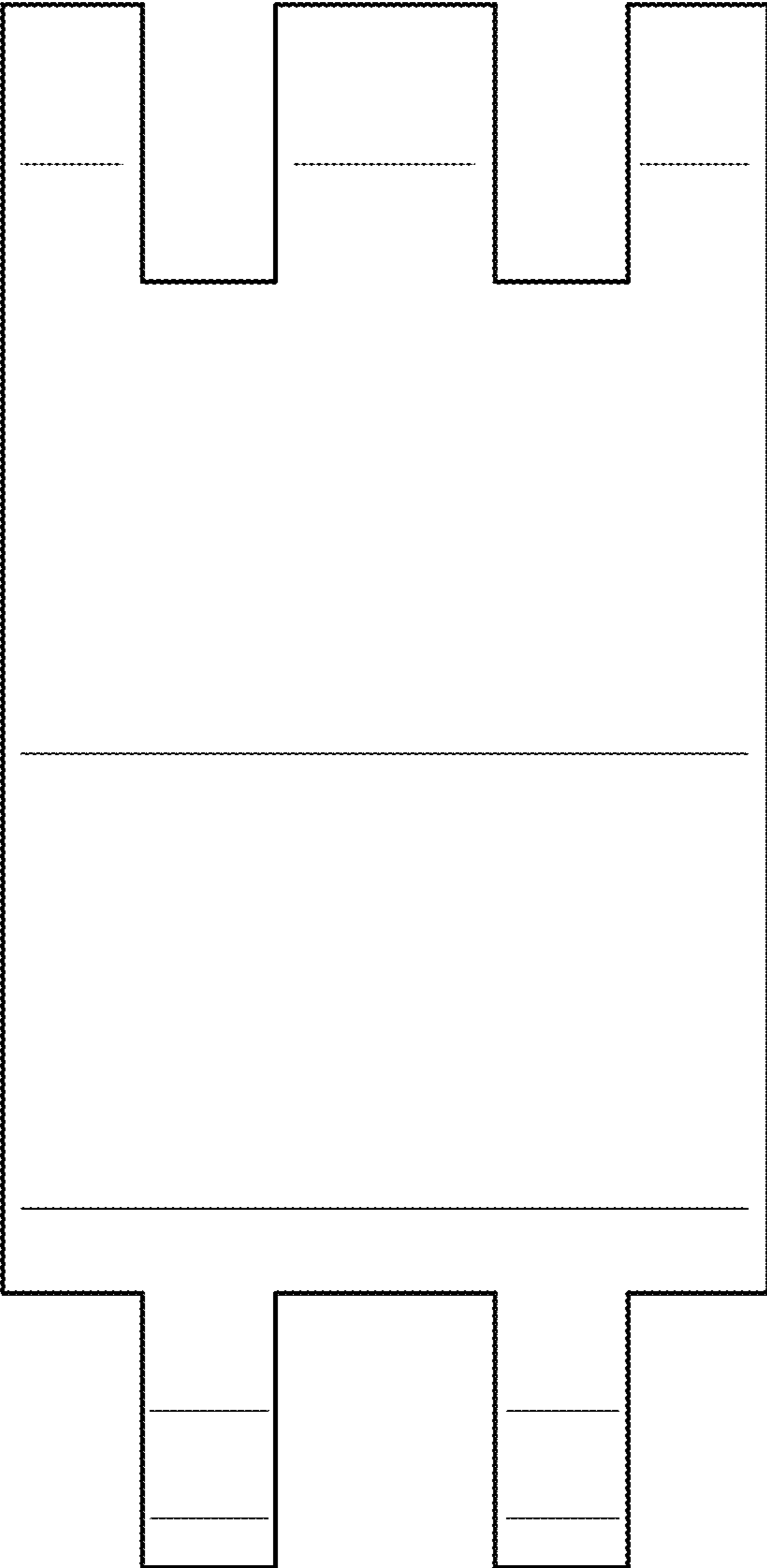


FIG. 9

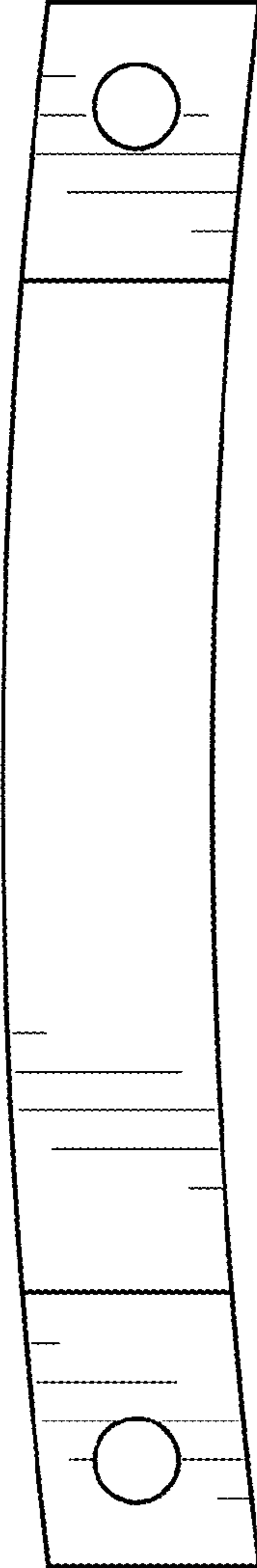


FIG. 10



FIG. 11

FIG. 12

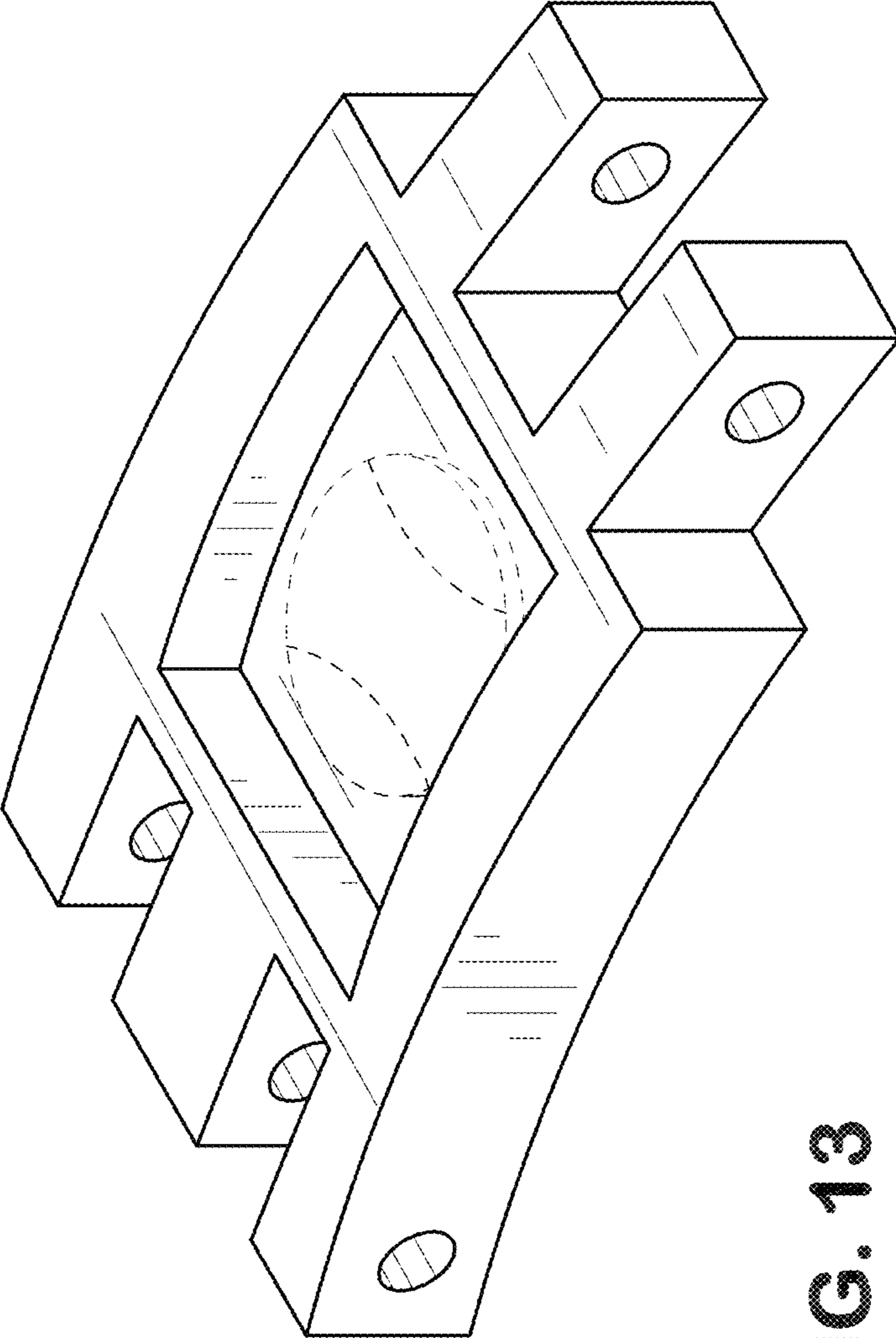


FIG. 13

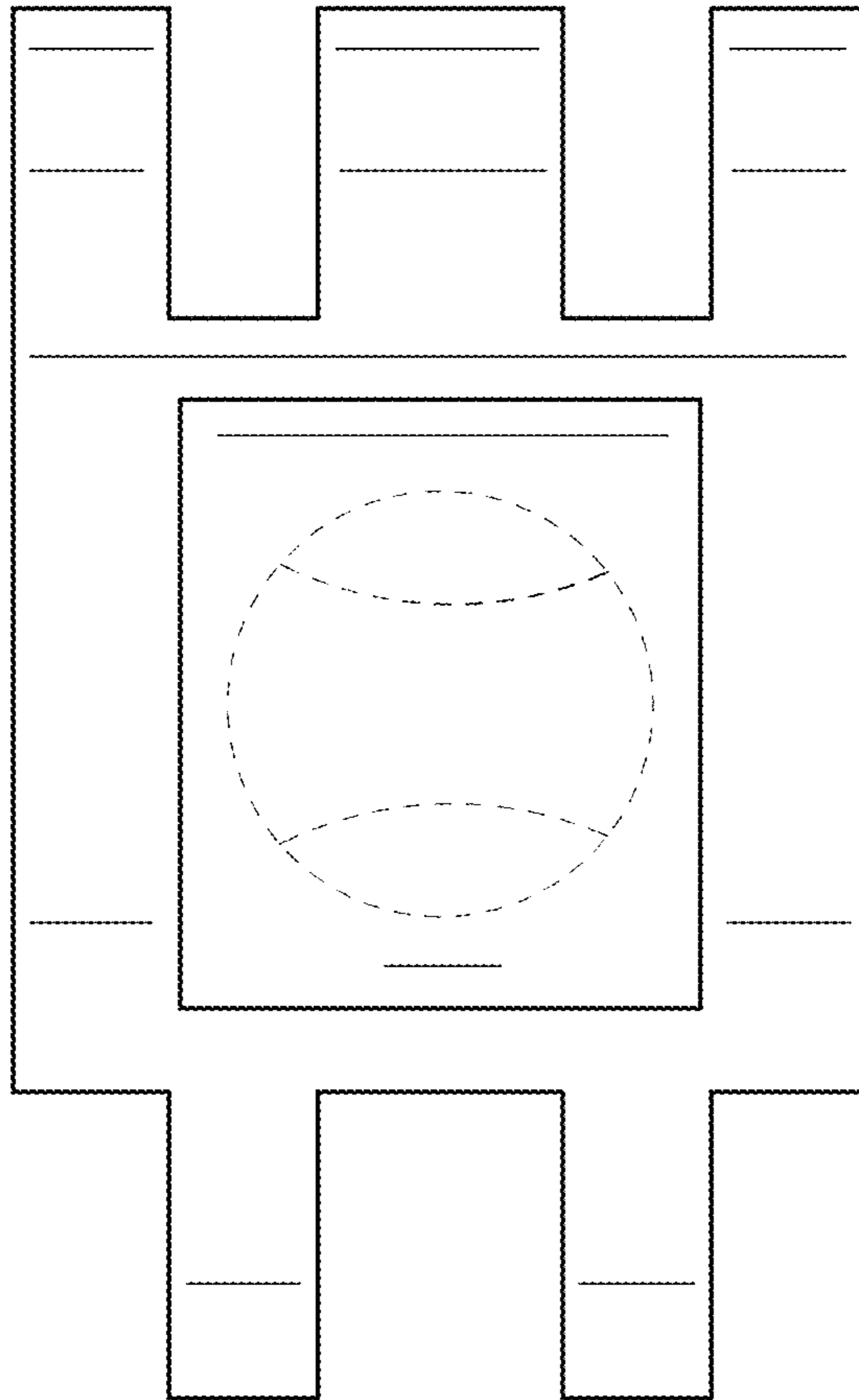


FIG. 14

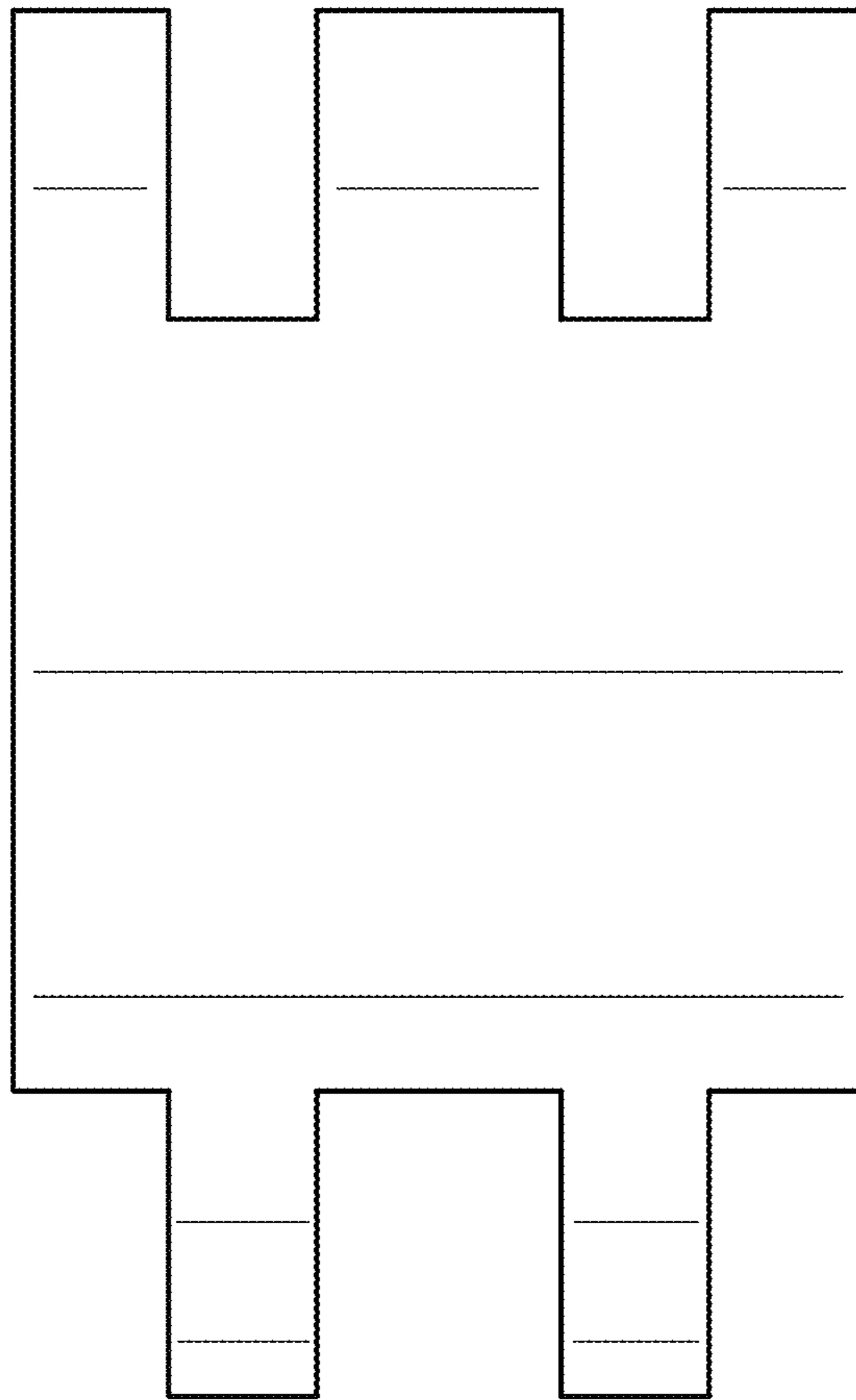


FIG. 15

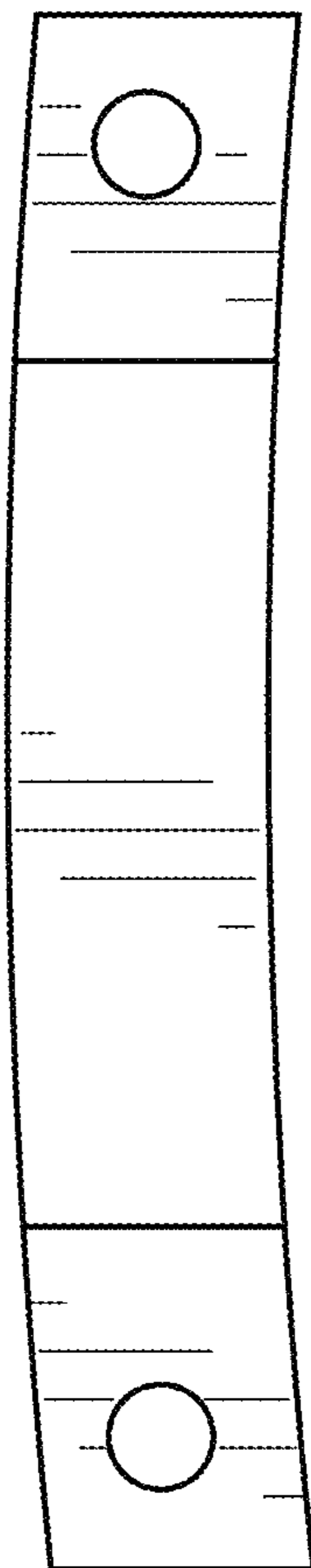


FIG. 16

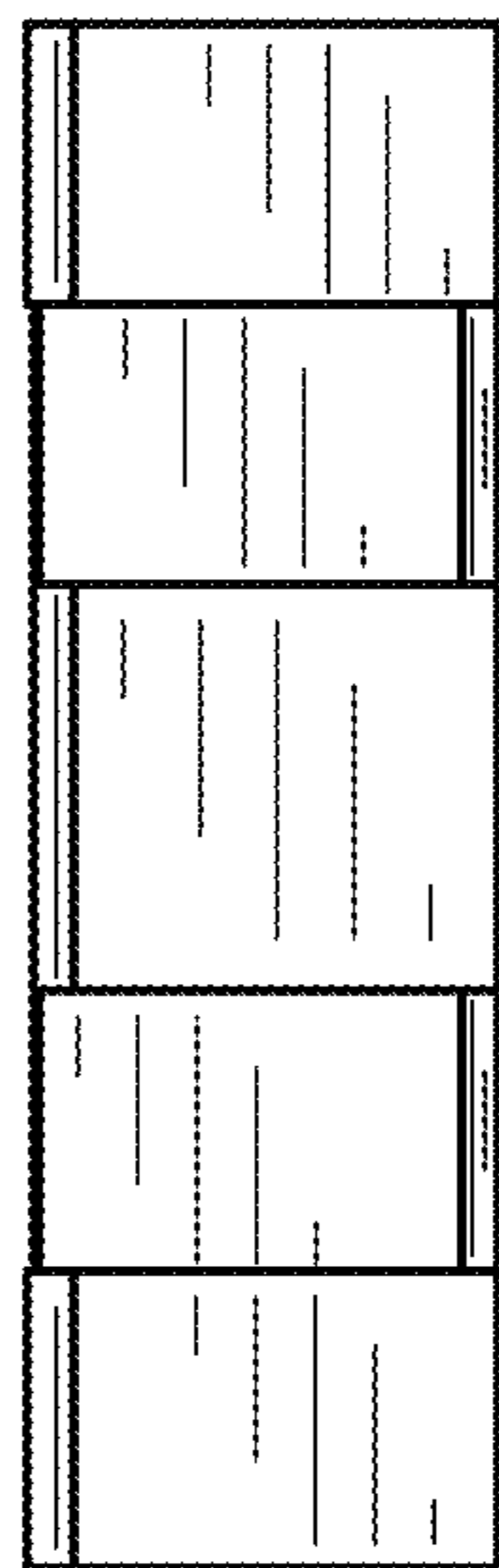


FIG. 17

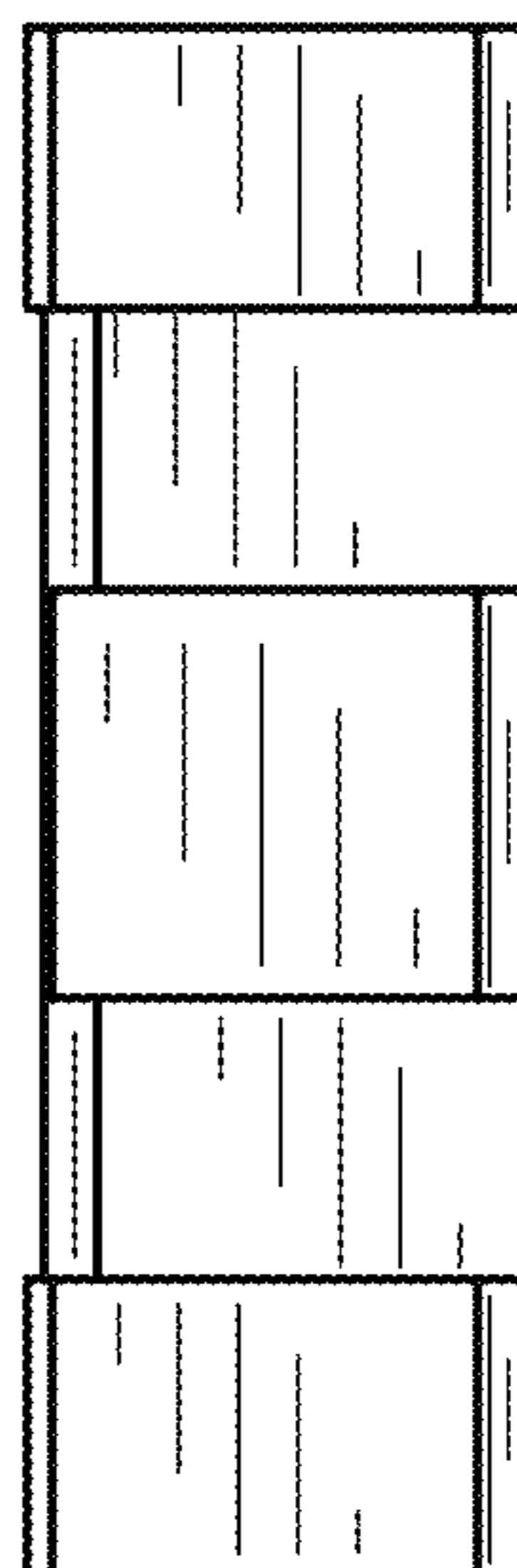


FIG. 18