



US00D708090S

(12) **United States Design Patent**
Burns

(10) **Patent No.:** **US D708,090 S**

(45) **Date of Patent:** **** Jul. 1, 2014**

(54) **SPRING RING**

(71) Applicant: **Heather Jane Burns**, Toronto (CA)

(72) Inventor: **Heather Jane Burns**, Toronto (CA)

(**) Term: **14 Years**

(21) Appl. No.: **29/462,978**

(22) Filed: **Aug. 12, 2013**

(51) **LOC (10) Cl.** **11-01**

(52) **U.S. Cl.**
USPC **D11/87**

(58) **Field of Classification Search**
USPC D11/1-2, 7, 40-44, 46-49, 53, 56, 57,
D11/59-61, 63, 65, 79-83, 86-87, 89-90,
D11/91-92, 99, 101, 106, 114-116,
D11/200-201; 63/3, 3.1, 12-14.9
See application file for complete search history.

(56) **References Cited**

U.S. PATENT DOCUMENTS

444,673	A	1/1891	Roehr	
1,057,532	A	4/1913	Elliott	
1,442,096	A	1/1923	Robinson	
1,449,175	A *	3/1923	Grunebaum	63/3.1
2,604,775	A	7/1952	Le Blanc	
D171,834	S *	3/1954	Watson	D11/87
4,000,627	A *	1/1977	Wahlbeck	63/3.1
4,055,057	A	10/1977	Kolman	
4,091,639	A	5/1978	Benda	
4,483,050	A *	11/1984	Nanni et al.	24/600.5
D313,571	S *	1/1991	Brom	D11/86
5,050,276	A *	9/1991	Pemberton	24/303
5,669,242	A *	9/1997	Cayton	63/21
D388,356	S *	12/1997	Lucas et al.	D11/86
D390,496	S *	2/1998	Olsen et al.	D11/87
6,230,961	B1 *	5/2001	Graser	228/192
D651,935	S *	1/2012	Greer	D11/87
2004/0007017	A1	1/2004	Flaherty	

* cited by examiner

Primary Examiner — Zenia Bennett

(74) *Attorney, Agent, or Firm* — Bhole IP Law; Anil Bhole

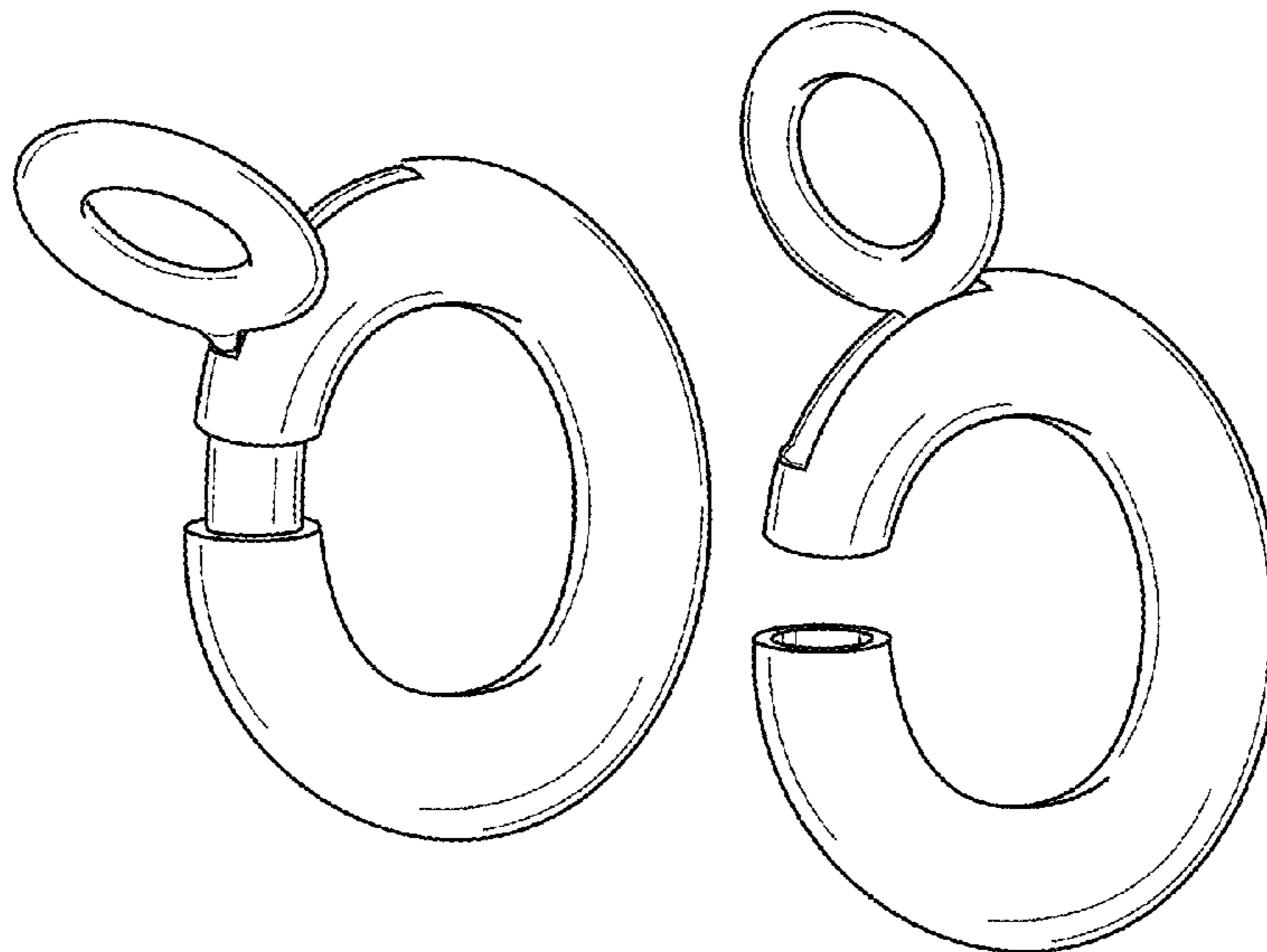
(57) **CLAIM**

The ornamental design for a spring ring, as shown and described.

DESCRIPTION

FIG. 1 is a front right perspective view of a spring ring with its plunger in a first position;
 FIG. 2 is a rear left perspective view of the spring ring with its plunger in the first position;
 FIG. 3 is a left side view of the spring ring with its plunger in the first position;
 FIG. 4 is a front view of the spring ring with its plunger in the first position;
 FIG. 5 is a right side view of the spring ring with its plunger in the first position;
 FIG. 6 is a rear view of the spring ring with its plunger in the first position;
 FIG. 7 is a top view of the spring ring with its plunger in the first position;
 FIG. 8 is a bottom view of the spring ring with its plunger in the first position;
 FIG. 9 is a front right perspective view of the spring ring with its plunger in a second position;
 FIG. 10 is a rear left perspective view of the spring ring with its plunger in the second position;
 FIG. 11 is a left side view of the spring ring with its plunger in the second position;
 FIG. 12 is a front view of the spring ring with its plunger in the second position;
 FIG. 13 is a right side view of the spring ring with its plunger in the second position; and,
 FIG. 14 is a top view of the spring ring with its plunger in the second position.

1 Claim, 4 Drawing Sheets



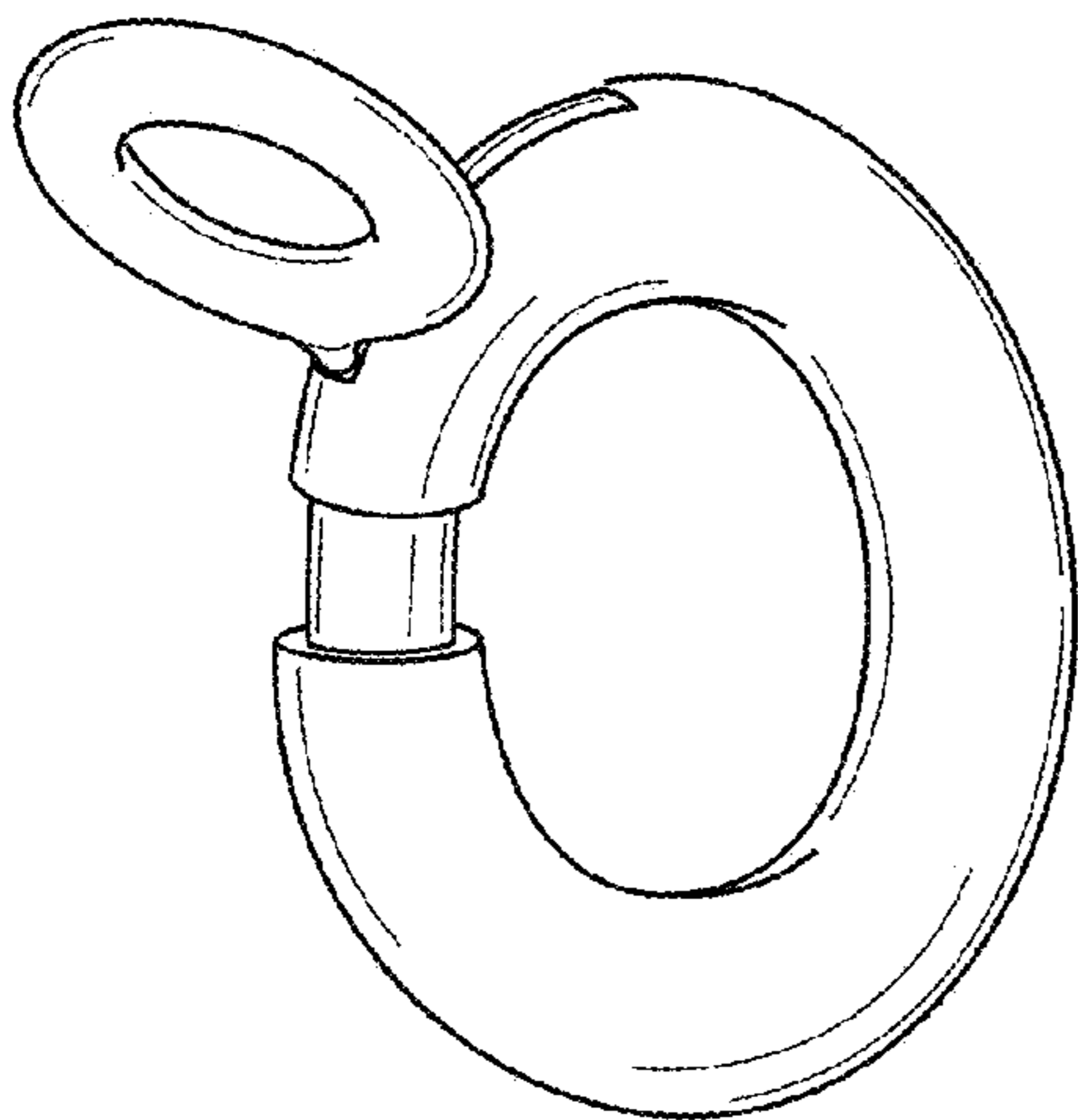


FIG. 1

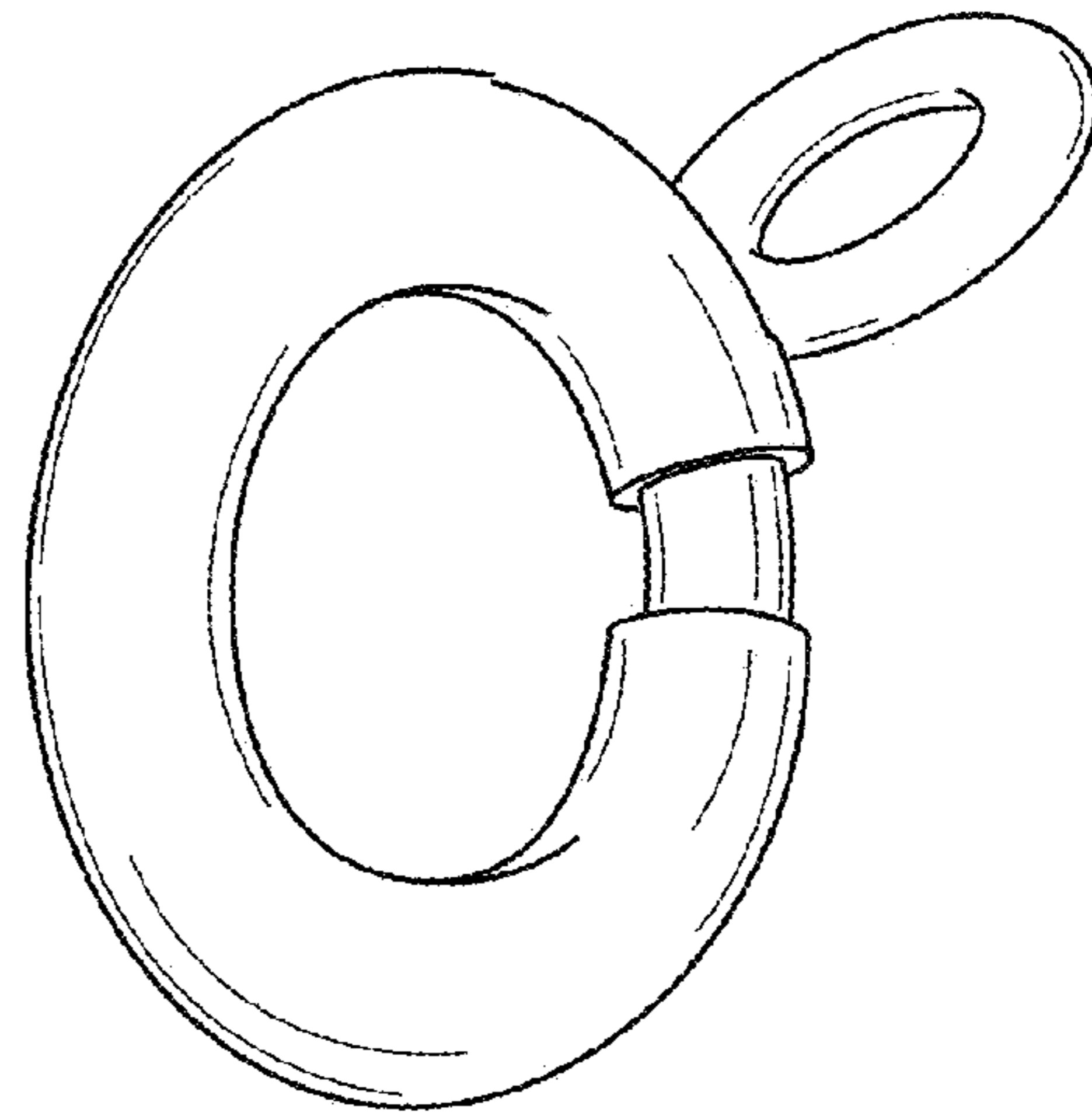


FIG. 2

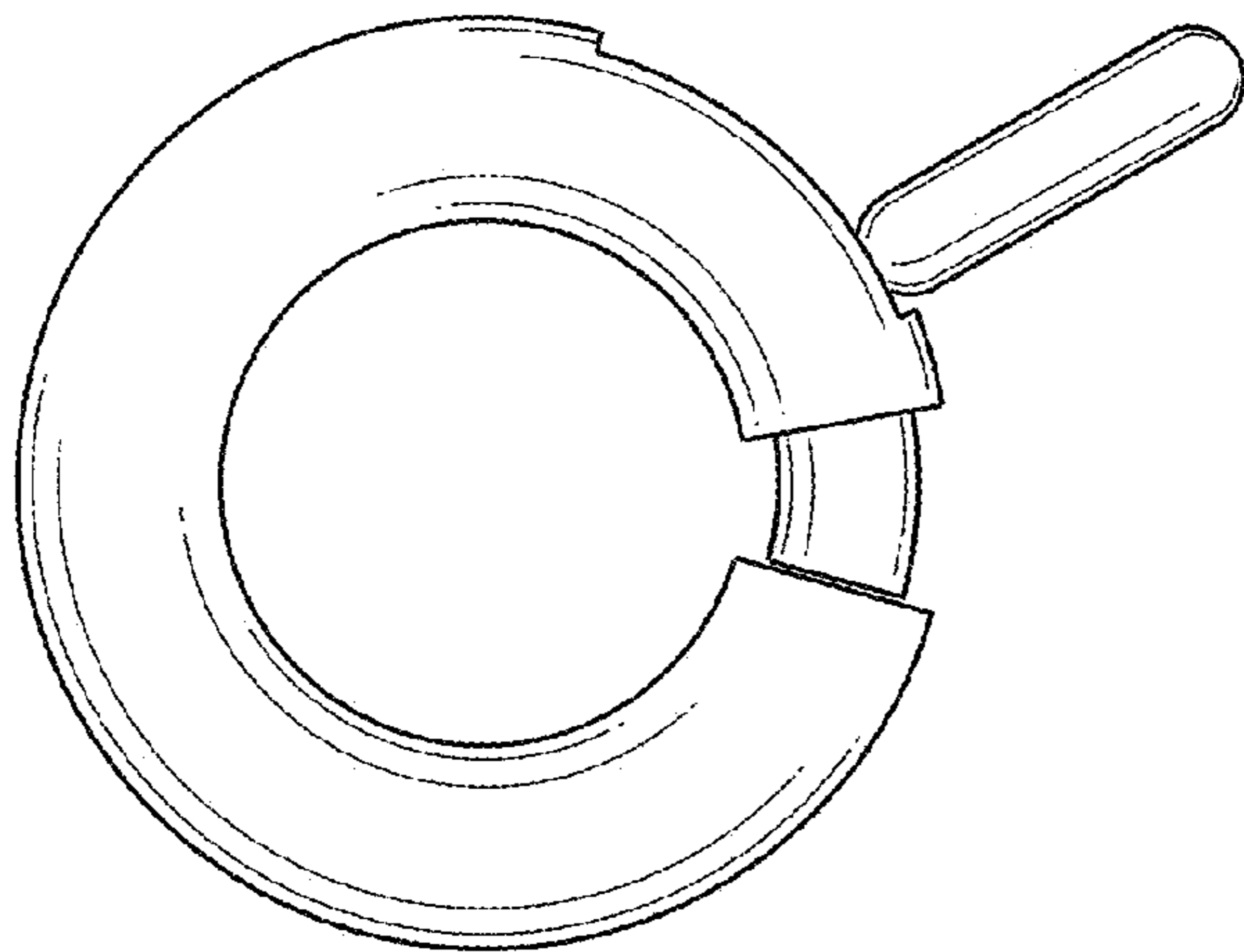


FIG. 3

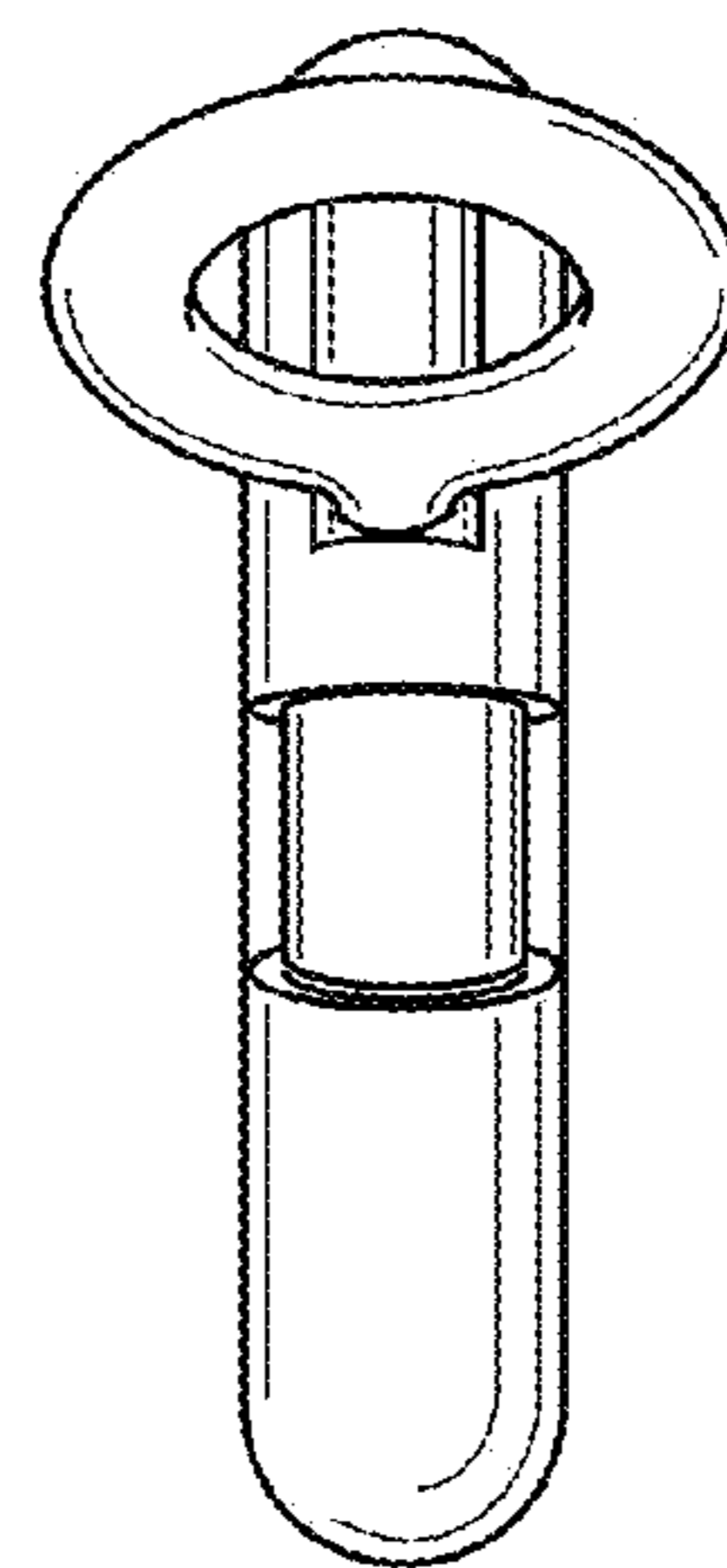


FIG. 4

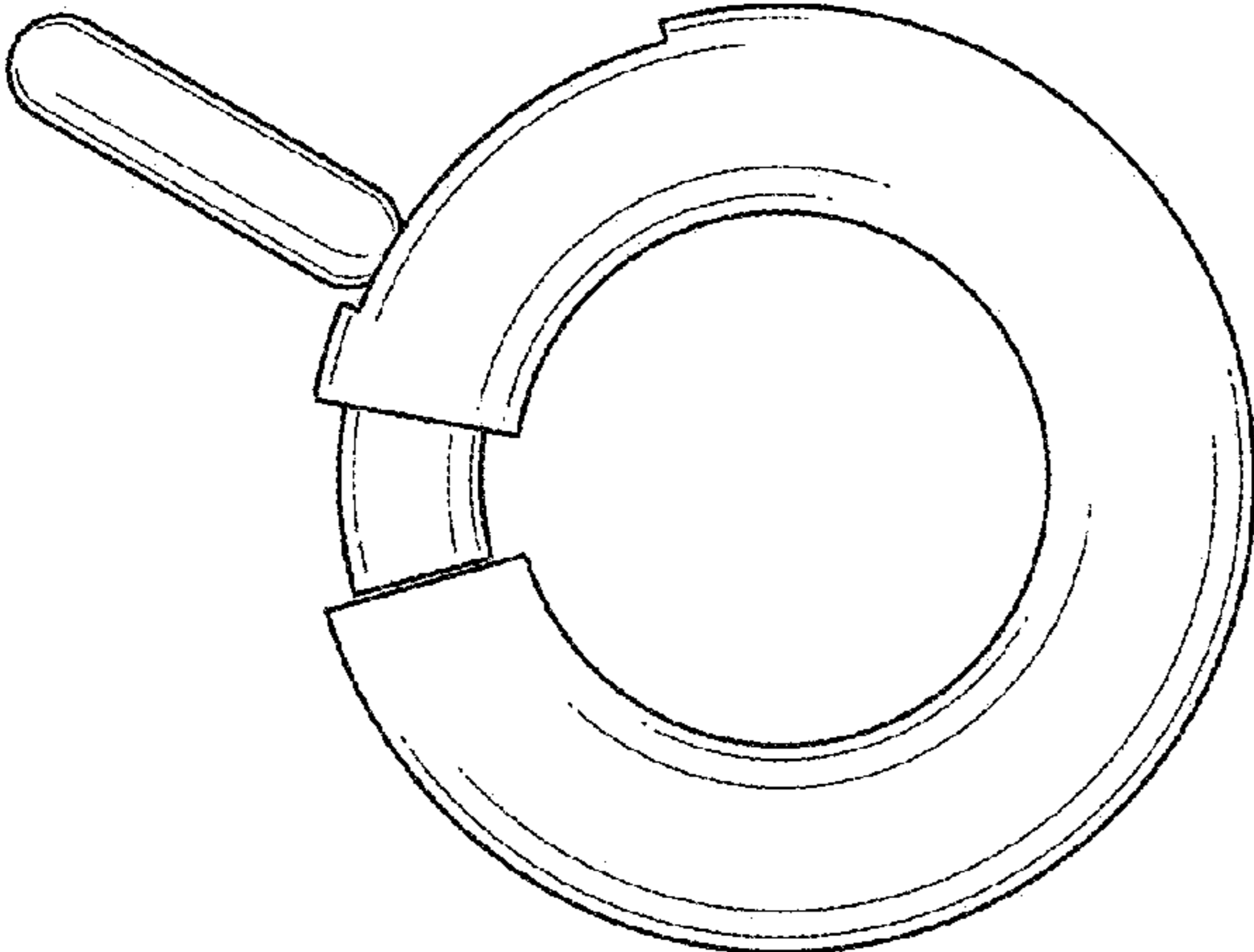


FIG. 5

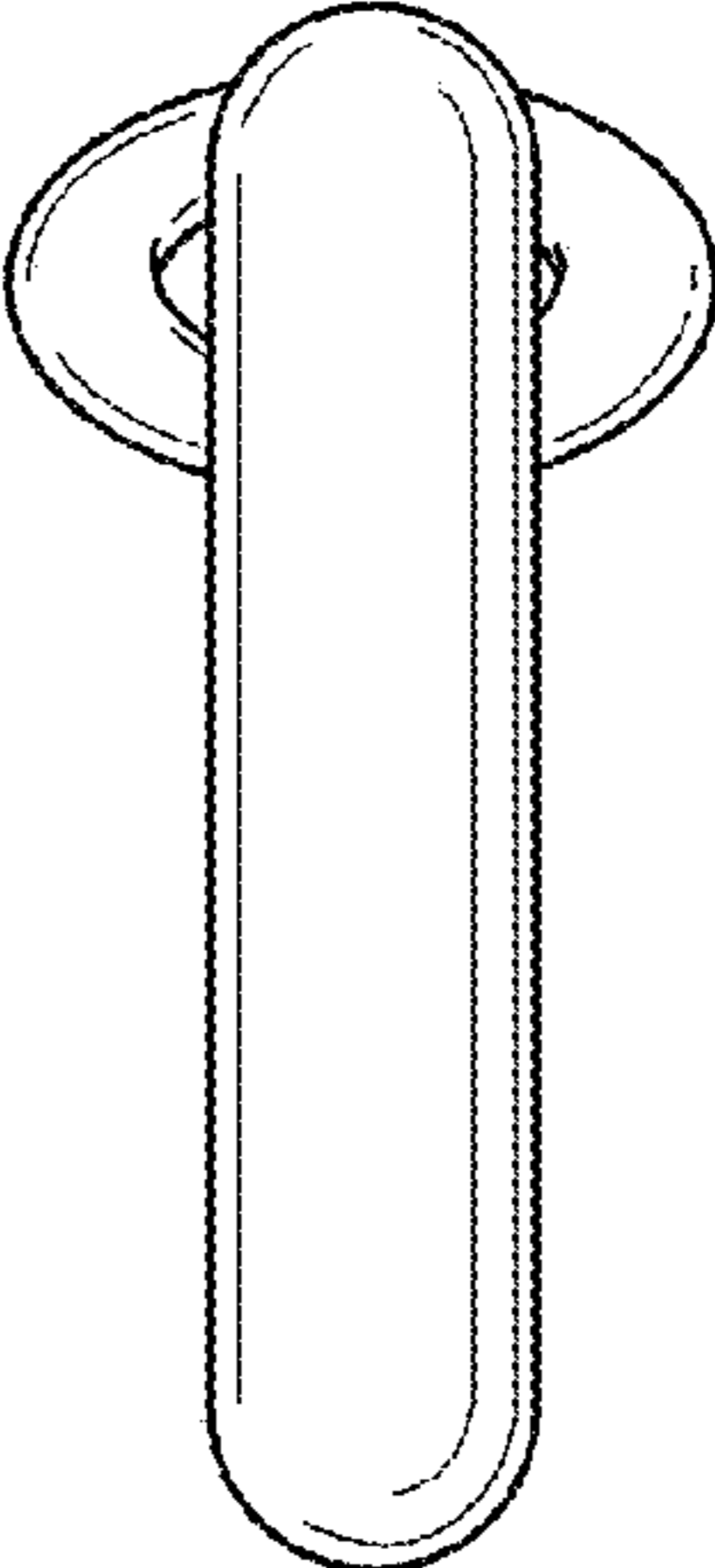


FIG. 6

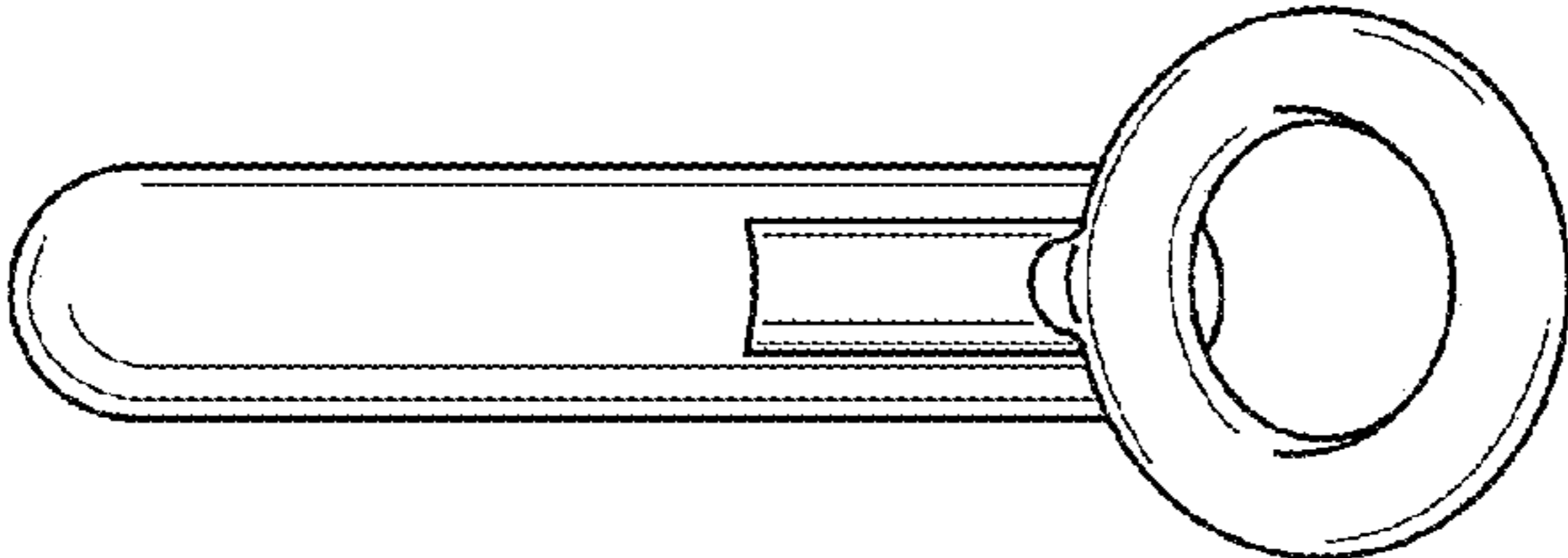


FIG. 7

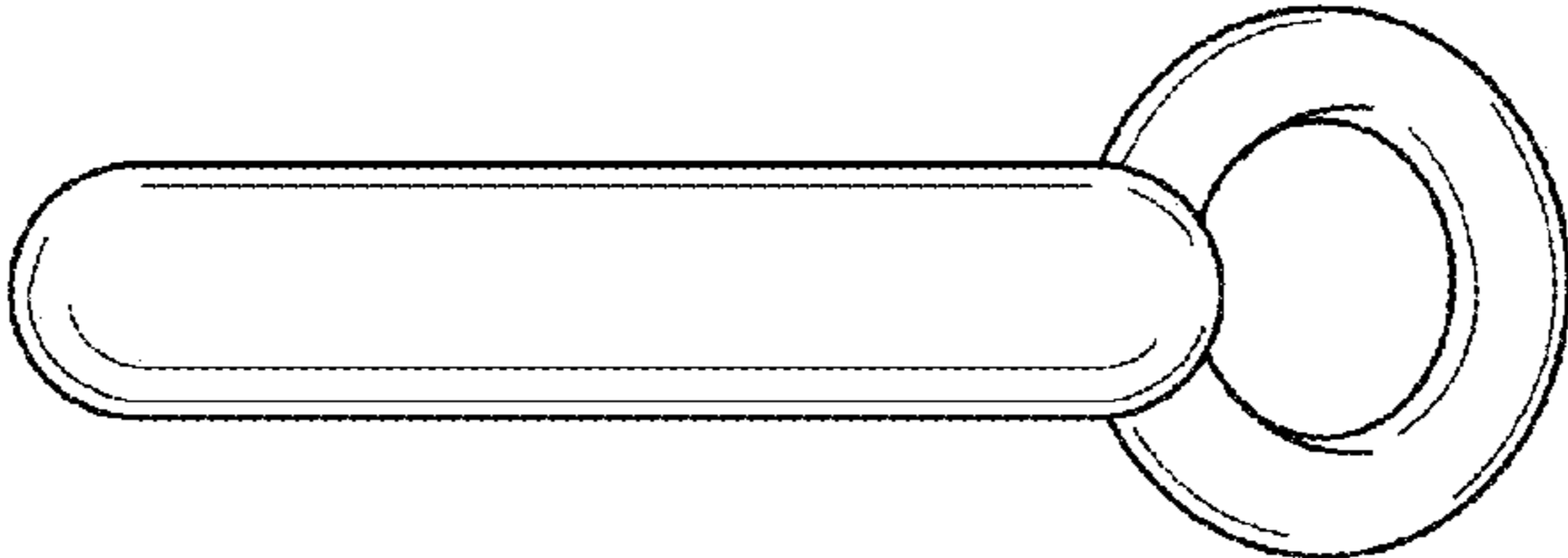


FIG. 8

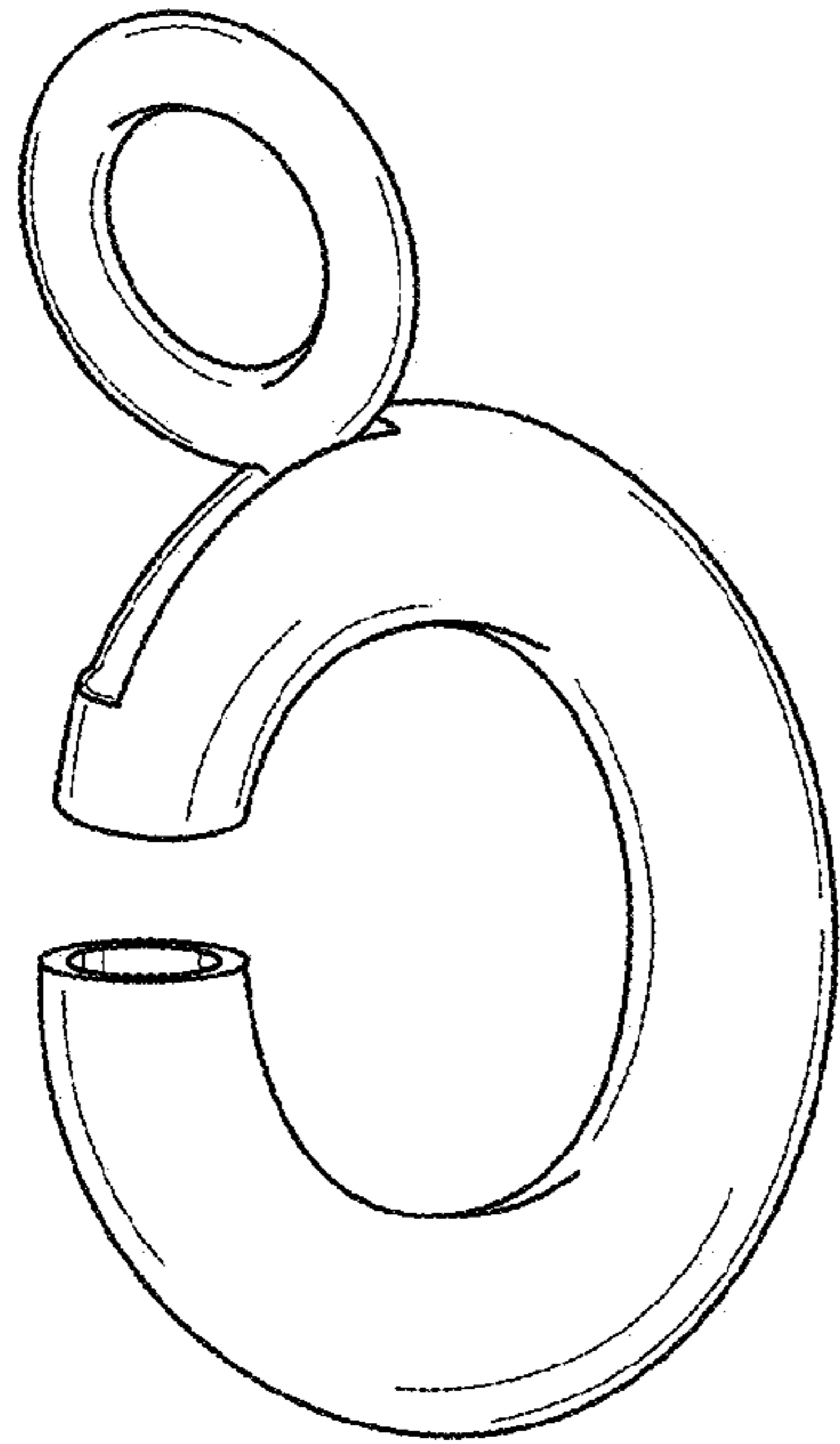


FIG. 9

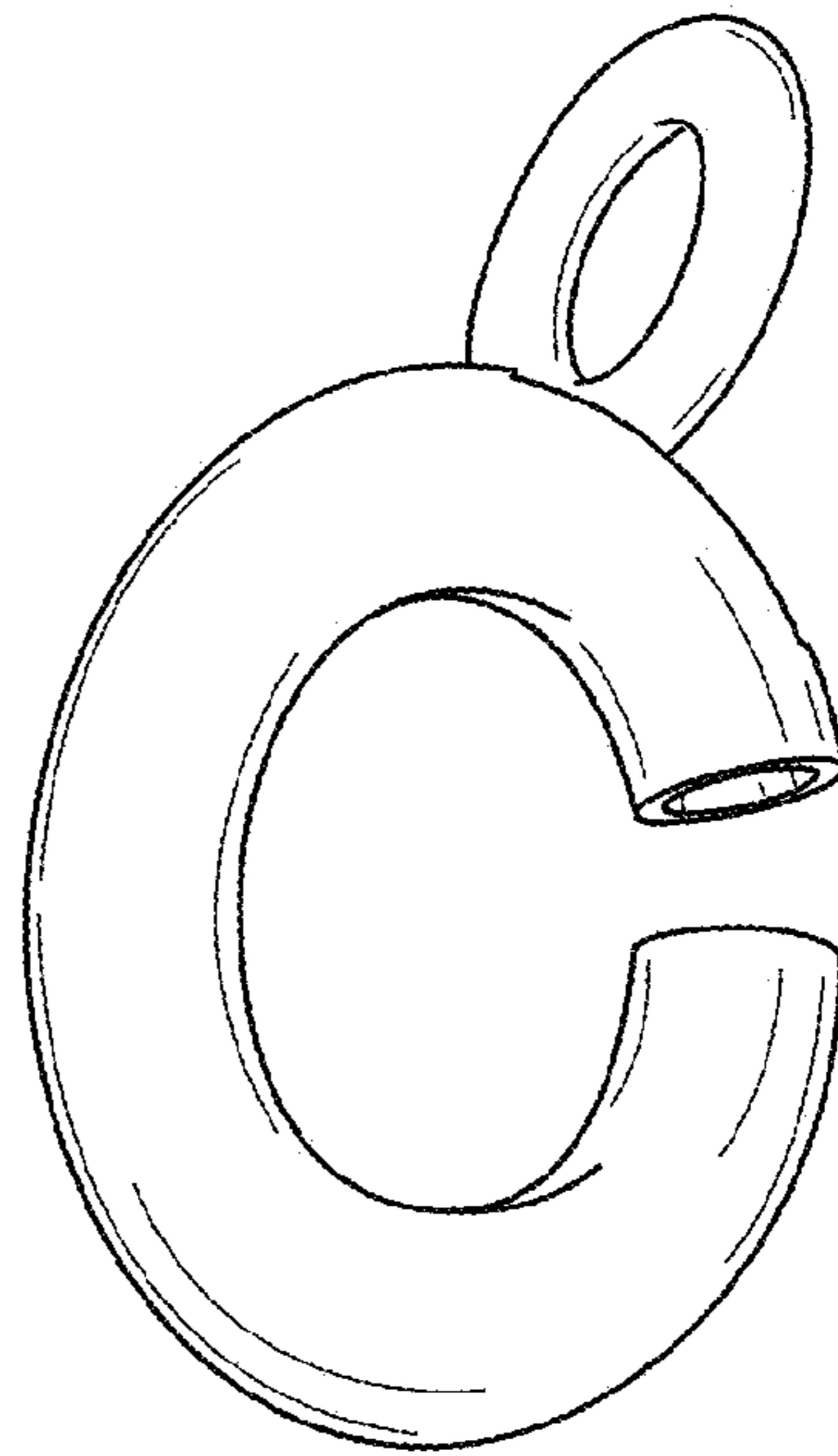


FIG. 10

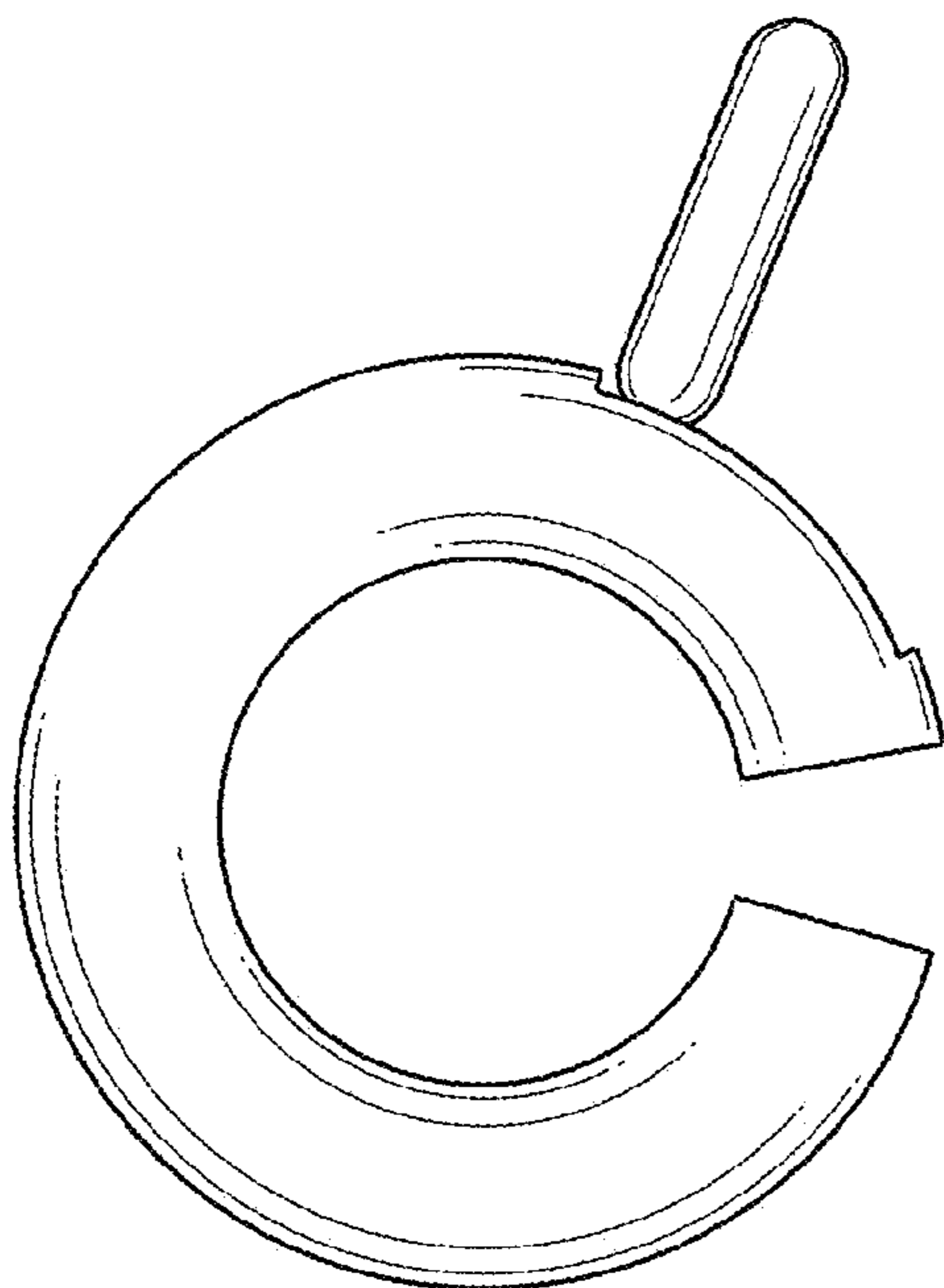


FIG. 11

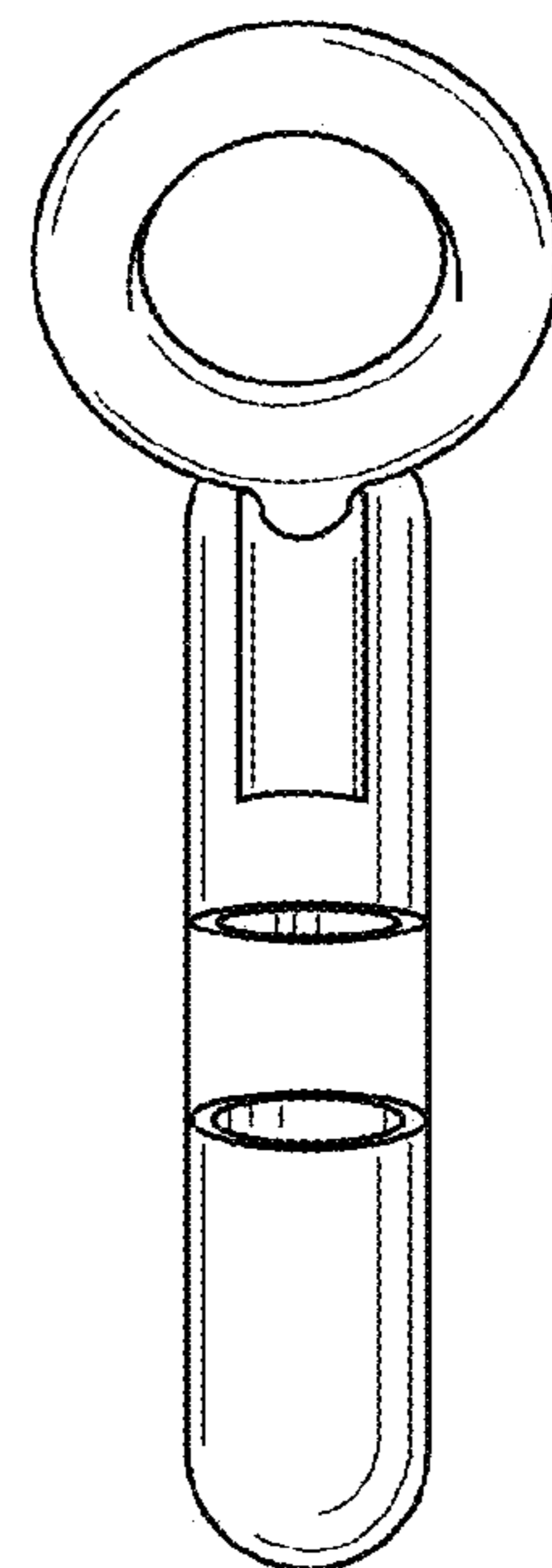


FIG. 12

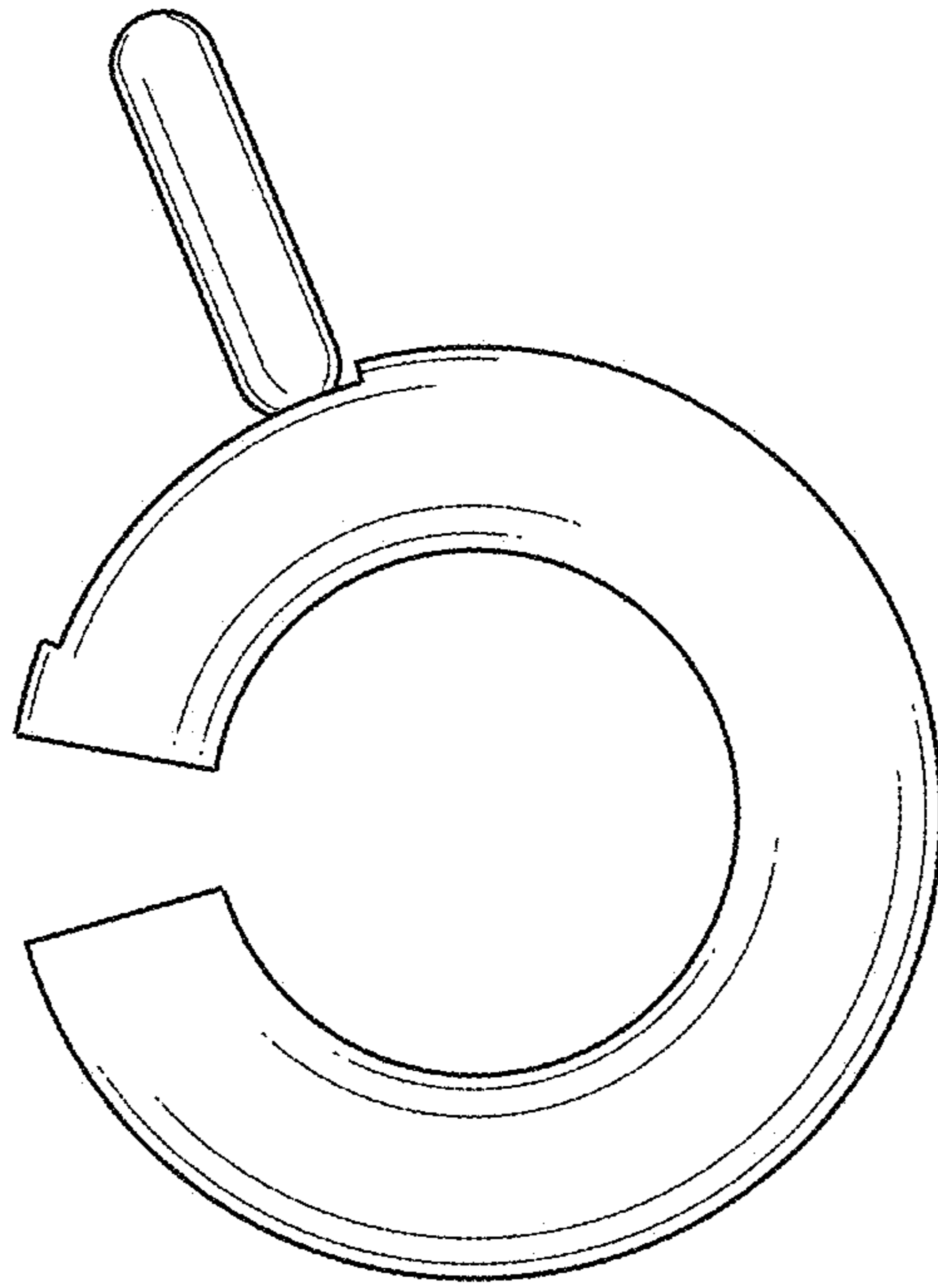


FIG. 13

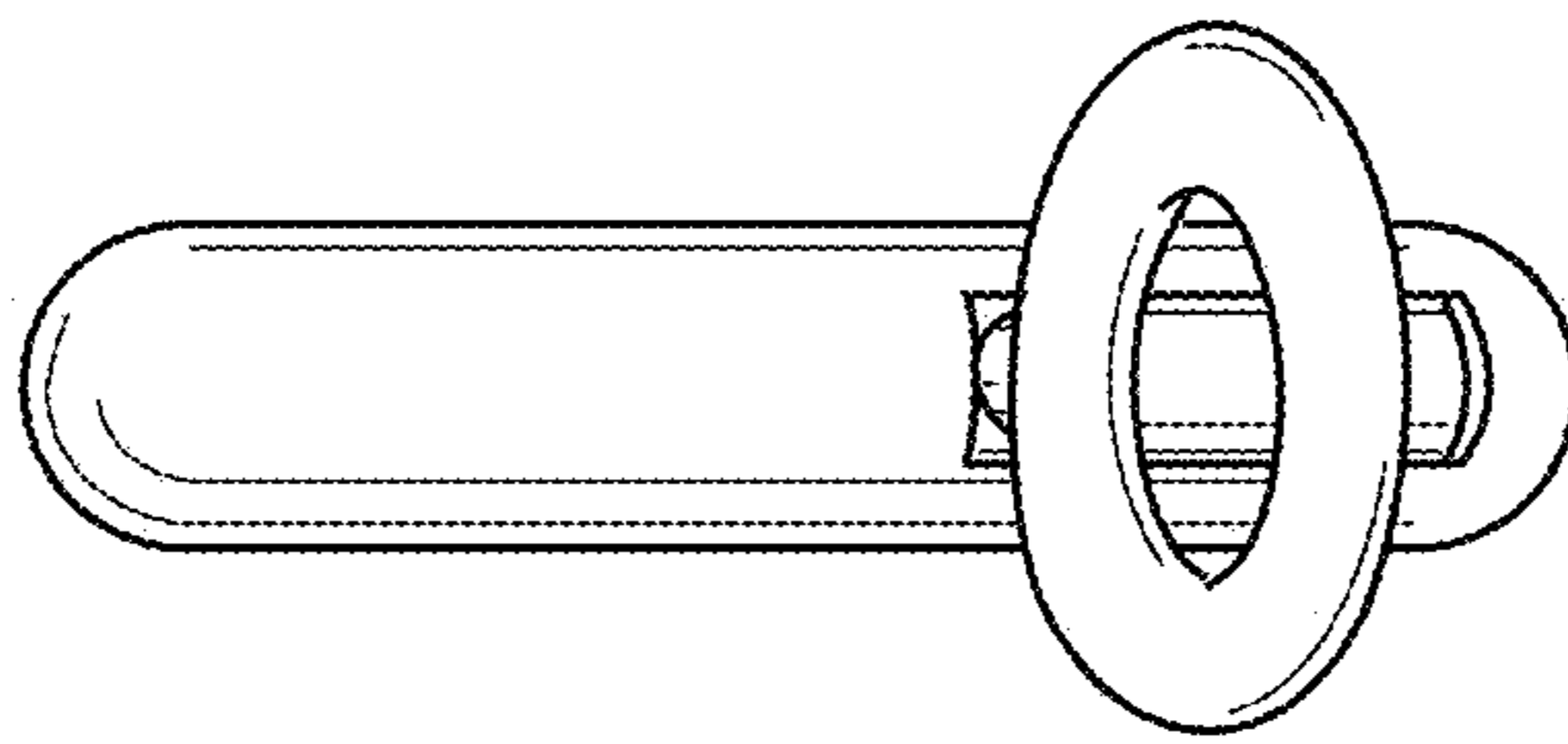


FIG. 14