



US00D708089S

(12) **United States Design Patent**
Burbano

(10) **Patent No.:** **US D708,089 S**
(45) **Date of Patent:** **** Jul. 1, 2014**

- (54) **WRISTBAND WITH INTERCHANGEABLE ELEMENTS**
- (76) Inventor: **James Paul Burbano**, Saddle Brook, NJ (US)
- (**) Term: **14 Years**
- (21) Appl. No.: **29/404,246**
- (22) Filed: **Oct. 18, 2011**
- (51) **LOC (10) Cl.** **11-01**
- (52) **U.S. Cl.**
USPC **D11/6**
- (58) **Field of Classification Search**
USPC D11/1-39; 63/1.11, 3, 3.1, 3.2, 5.1, 5.2, 63/15, 15.1-15.4, 15.45, 15.5, 15.6, 15.65, 63/33, 38, 39, 40, 41; D30/152; D22/122; D24/194
See application file for complete search history.

D473,155 S	4/2003	Bonnet	
D483,287 S	12/2003	McAnally	
6,688,139 B2	2/2004	Tschetter	
D491,833 S *	6/2004	Flynn	D11/26
D512,337 S *	12/2005	Della Valle	D11/4
D514,467 S *	2/2006	Della Valle	D11/4
D540,709 S *	4/2007	Daas	D11/16
D540,993 S *	4/2007	Beyaz	D30/152
D541,692 S *	5/2007	Daas	D11/16
D542,689 S *	5/2007	Daas	D11/16
D543,127 S	5/2007	Daas	
7,350,377 B2	4/2008	Kaplan	
D603,287 S	11/2009	Dzurek	
D616,615 S *	5/2010	Alvarenga	D30/152
D618,128 S *	6/2010	Clark et al.	D11/3
D651,931 S *	1/2012	Molik	D11/3
D660,740 S *	5/2012	Cullen et al.	D11/3
D677,191 S *	3/2013	Benjamin	D11/4
8,474,284 B2 *	7/2013	Rush et al.	63/40
8,540,544 B1 *	9/2013	Logue	446/26
2013/0074545 A1 *	3/2013	Moloney	63/3.1

* cited by examiner

Primary Examiner — Garth Rademaker

Assistant Examiner — Melanie Pellegrini

(74) *Attorney, Agent, or Firm* — Ash Tankha; Lipton, Weinberger & Husick

(56) **References Cited**

U.S. PATENT DOCUMENTS

254,156 A *	2/1882	Ricker et al.	D30/152
365,853 A	7/1887	Palmer	
1,165,262 A *	12/1915	Jolly	224/169
1,579,820 A *	4/1926	Kislinger	63/3
1,654,335 A	12/1927	Lindroth et al.	
D122,601 S *	9/1940	Katz	D11/3
D142,713 S *	10/1945	Graeter	D10/32
2,413,541 A	12/1946	Brady	
D149,396 S *	4/1948	Babin	D11/5
D248,379 S *	7/1978	Durante	D11/3
D260,620 S *	9/1981	Blum	D11/3
D293,561 S *	1/1988	Bulgari	D11/3
4,827,575 A	5/1989	Delaney	
5,081,852 A	1/1992	Cox	
D323,633 S *	2/1992	Mastoloni	D11/3
D353,033 S *	12/1994	Johanson	D29/101.5
D359,926 S *	7/1995	Plummer	D11/4
D375,612 S *	11/1996	Elder	D2/894
D394,411 S *	5/1998	Gozlan	D11/4
D458,179 S	6/2002	Reddoch	
D470,429 S	2/2003	Bonnet	

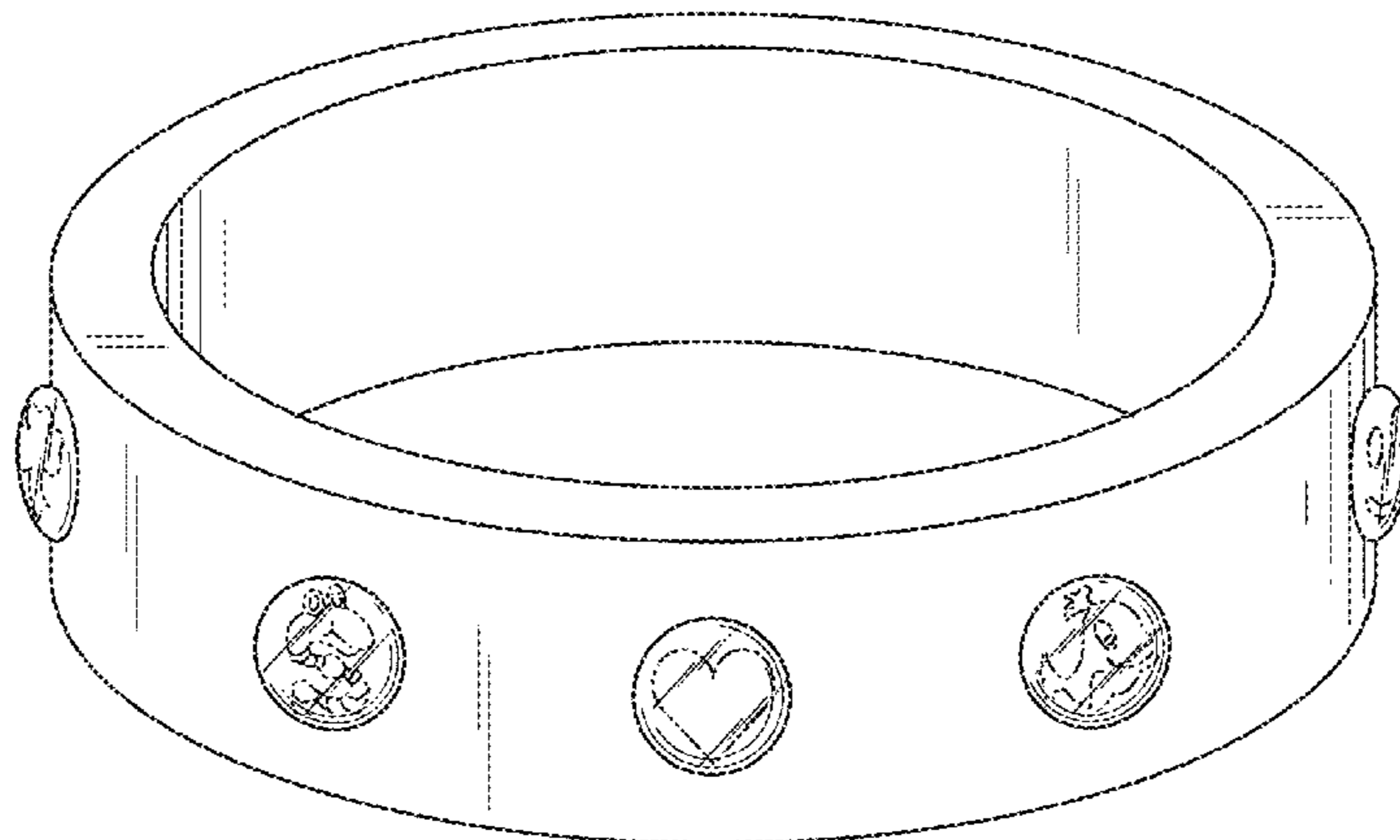
(57) **CLAIM**

The ornamental design for a wristband with interchangeable elements, as shown and described.

DESCRIPTION

FIG. 1 is a front perspective view of a wristband with interchangeable decorative elements showing my new design; FIG. 2 is a front orthogonal view thereof. FIG. 3 is a cross sectional view taken at the lines 3-3 in FIG. 2; and, FIG. 4 is a front perspective view thereof. The broken lines in FIG. 4 showing artwork on the beads represent portions of the wristband which form no part of the claimed design.

1 Claim, 3 Drawing Sheets



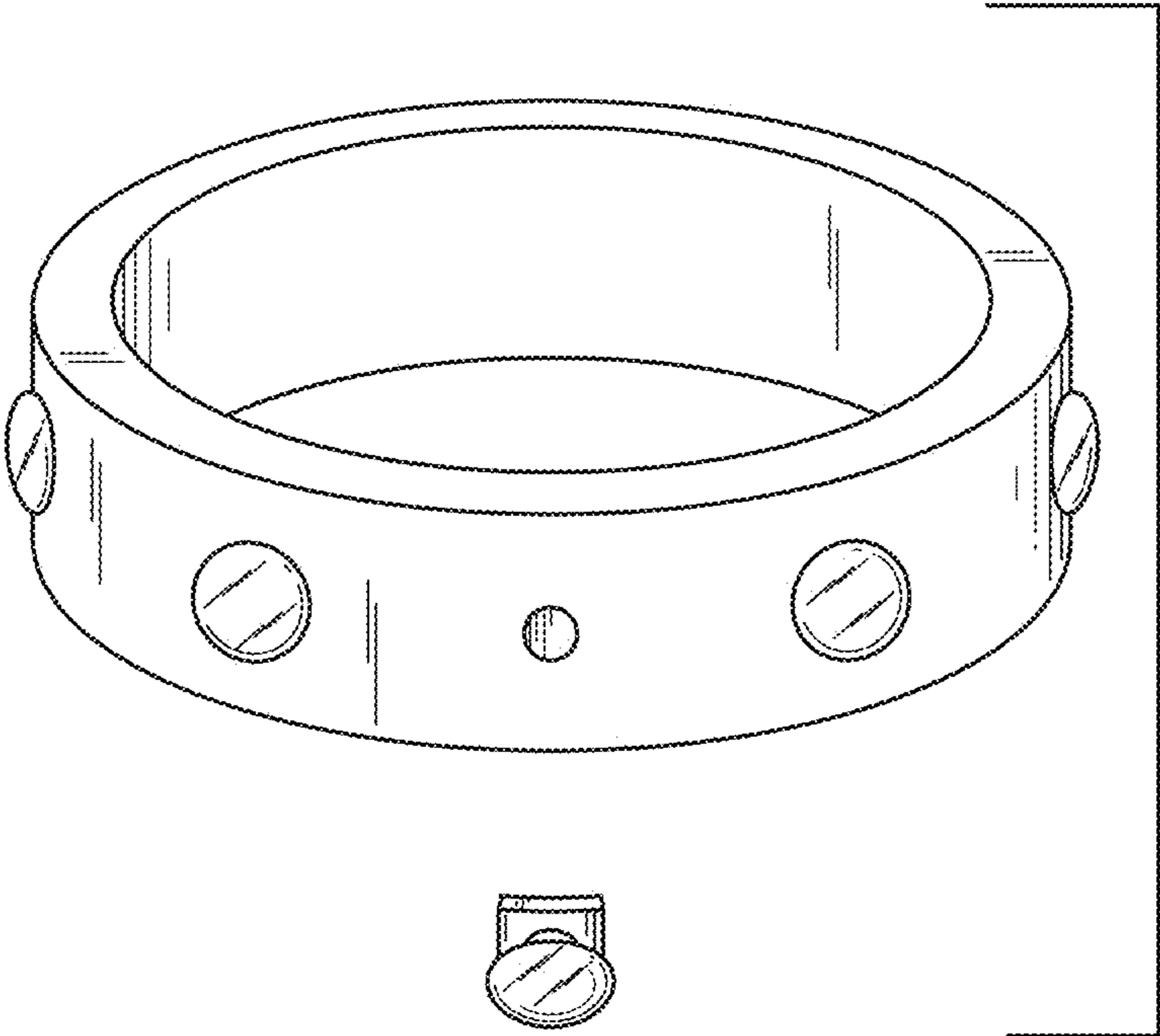


FIG. 1

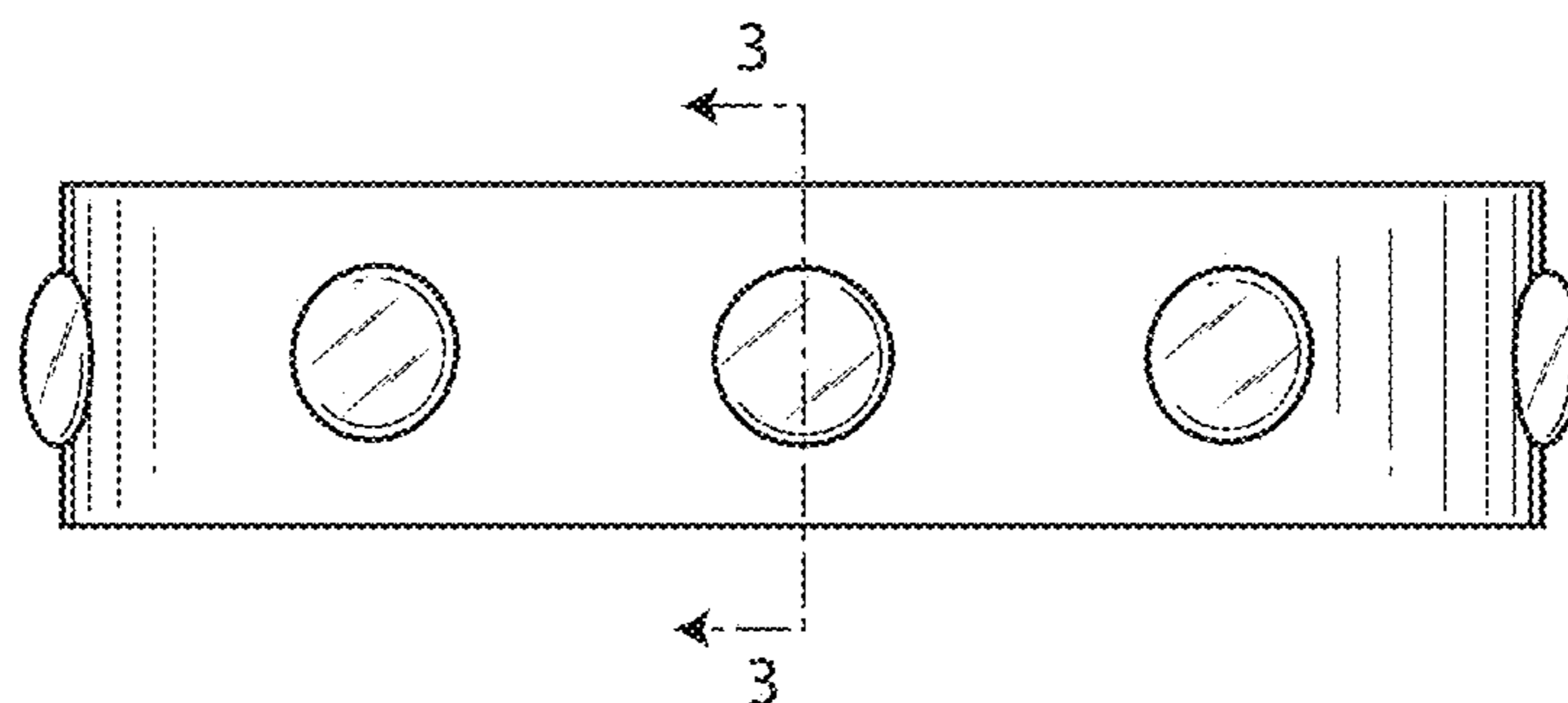


FIG. 2



FIG. 3

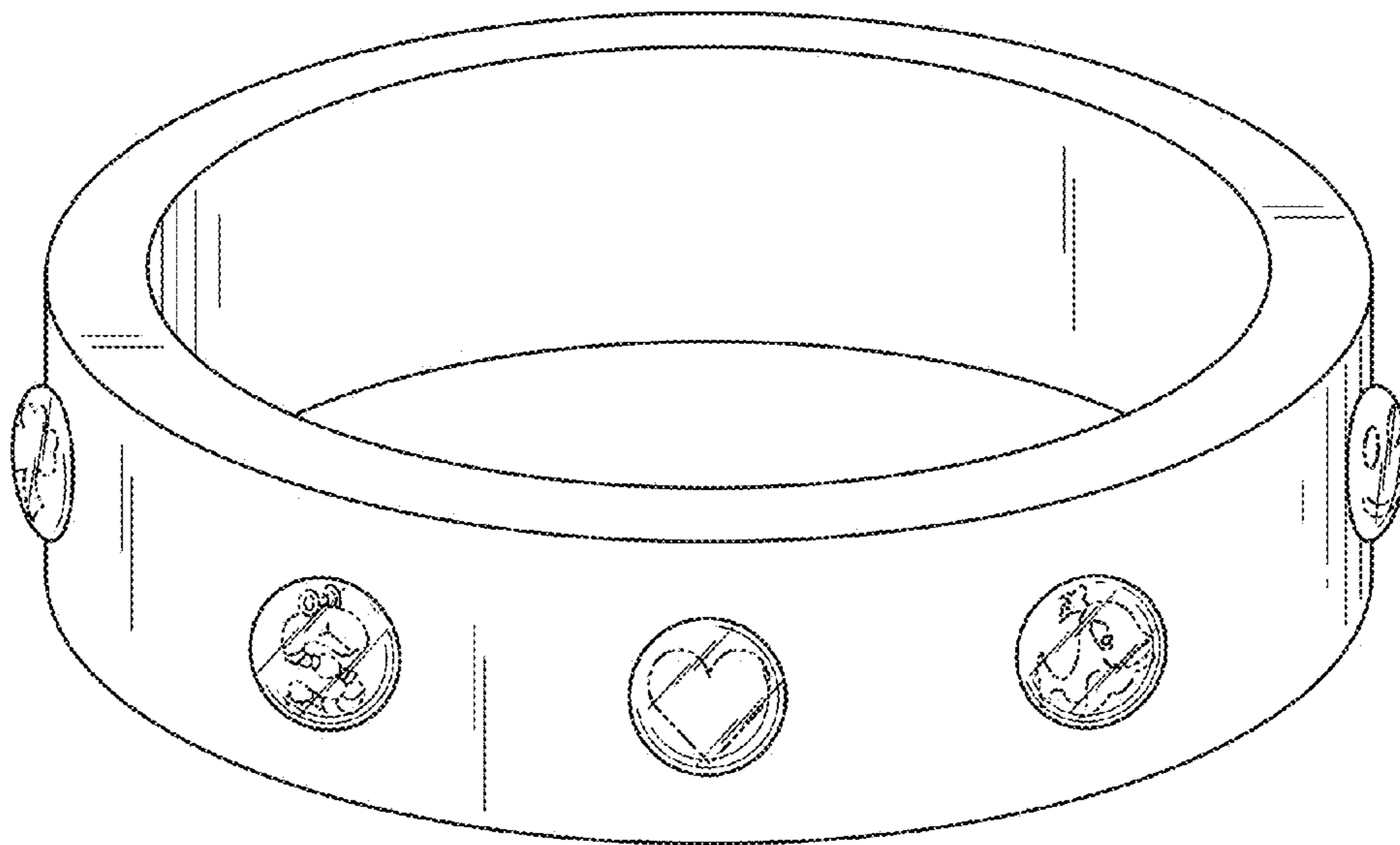


FIG. 4