



US00D708085S

(12) **United States Design Patent**
Jeon et al.

(10) **Patent No.:** **US D708,085 S**

(45) **Date of Patent:** **** Jul. 1, 2014**

(54) **PORTABLE WARNING SIGN**

(75) Inventors: **Kea-Min Jeon**, Daejeon (KR);
Hyo-Jung Lee, Daejeon (KR);
Ki-Young Nam, Seoul (KR)

(73) Assignee: **Samsung Display Co., Ltd.**, Yongin-si (KR)

(**) Term: **14 Years**

(21) Appl. No.: **29/419,321**

(22) Filed: **Apr. 26, 2012**

(30) **Foreign Application Priority Data**

Feb. 28, 2012 (KR) 30-2012-0009452

(51) **LOC (10) Cl.** **10-05**

(52) **U.S. Cl.**
USPC **D10/113.4**

(58) **Field of Classification Search**
USPC D10/109.1, 113.4; D20/17; 40/608;
D19/97

See application file for complete search history.

(56) **References Cited**

U.S. PATENT DOCUMENTS

D332,067 S * 12/1992 Fu D10/113.4
D346,985 S * 5/1994 McIntyre D10/113.4

* cited by examiner

Primary Examiner — George D Kirschbaum

(74) *Attorney, Agent, or Firm* — Christie, Parker & Hale, LLP

(57) **CLAIM**

The ornamental design for a portable warning sign, as shown and described.

DESCRIPTION

FIG. 1 is a front perspective view of a portable warning sign showing our new design;
FIG. 2 is a front elevational view thereof;
FIG. 3 is a rear elevational view thereof;
FIG. 4 is a left side elevational view thereof;
FIG. 5 is a right side elevational view thereof;
FIG. 6 is a top plan view thereof;
FIG. 7 is a bottom plan view thereof;
FIG. 8 is a perspective view of the claimed design in an alternate position;
FIG. 9 is a front perspective view of the claimed design in an active state; and,
FIG. 10 is a rear perspective view of the claimed design in an active state thereof.

1 Claim, 9 Drawing Sheets

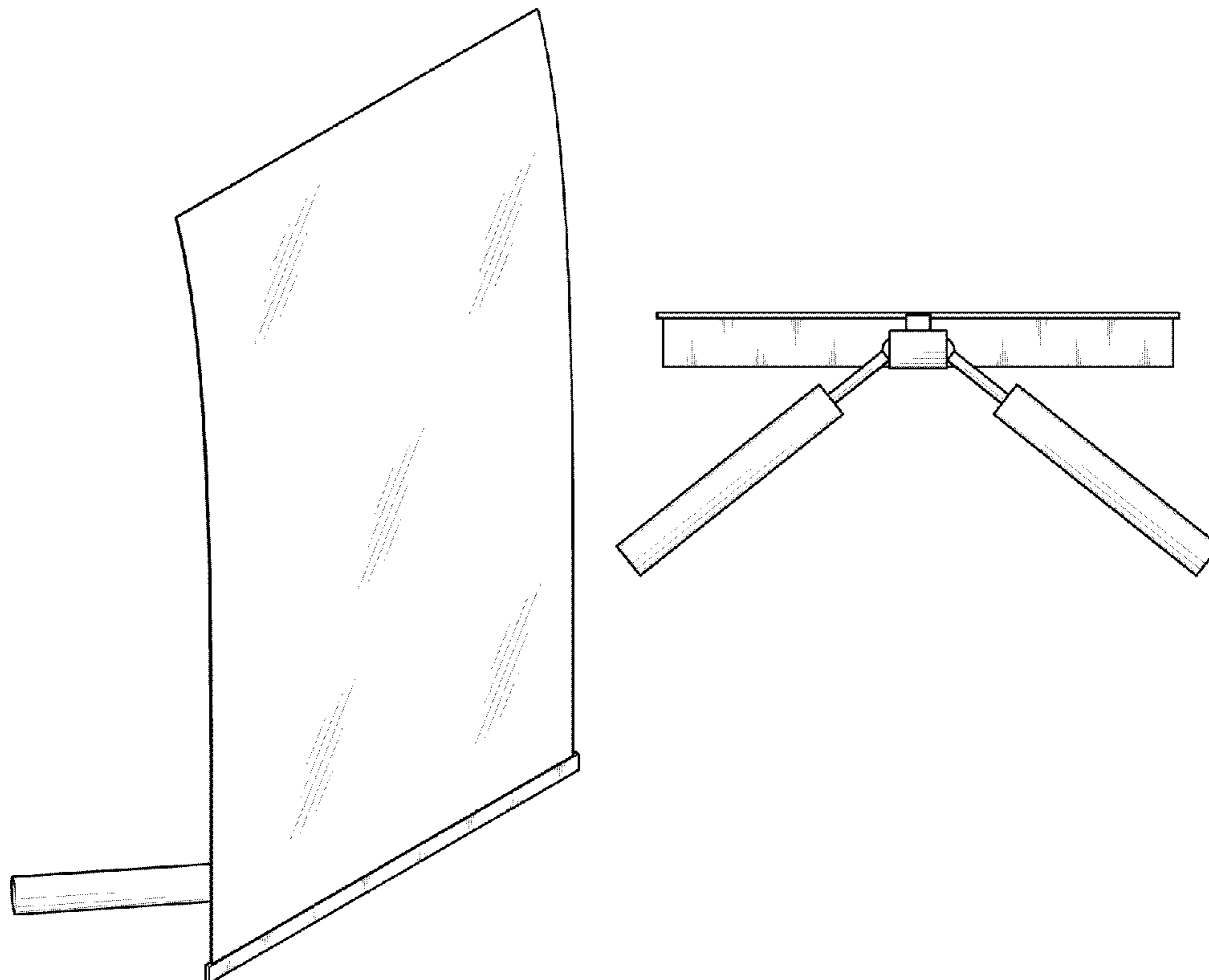


FIG. 1

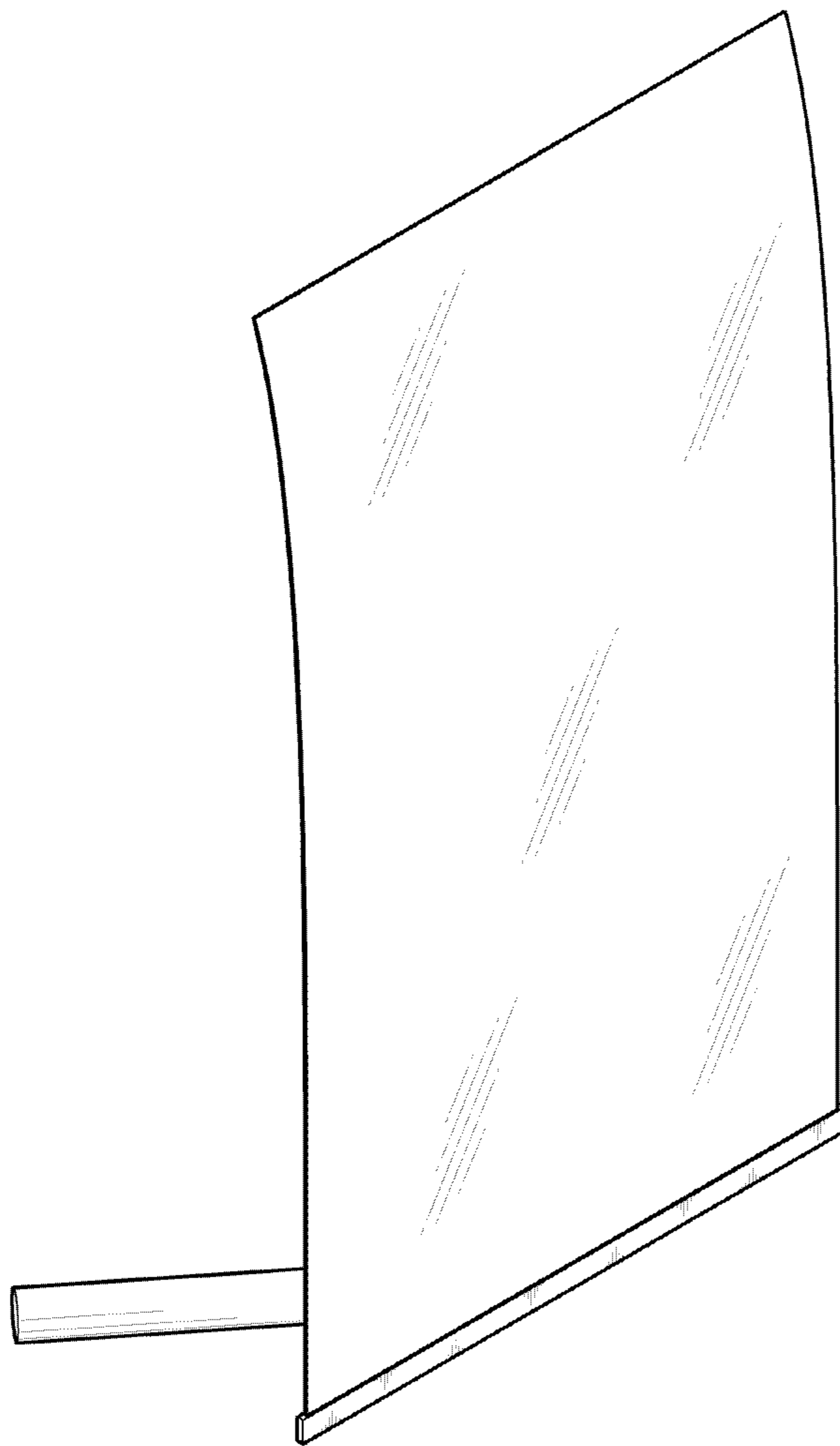


FIG. 2

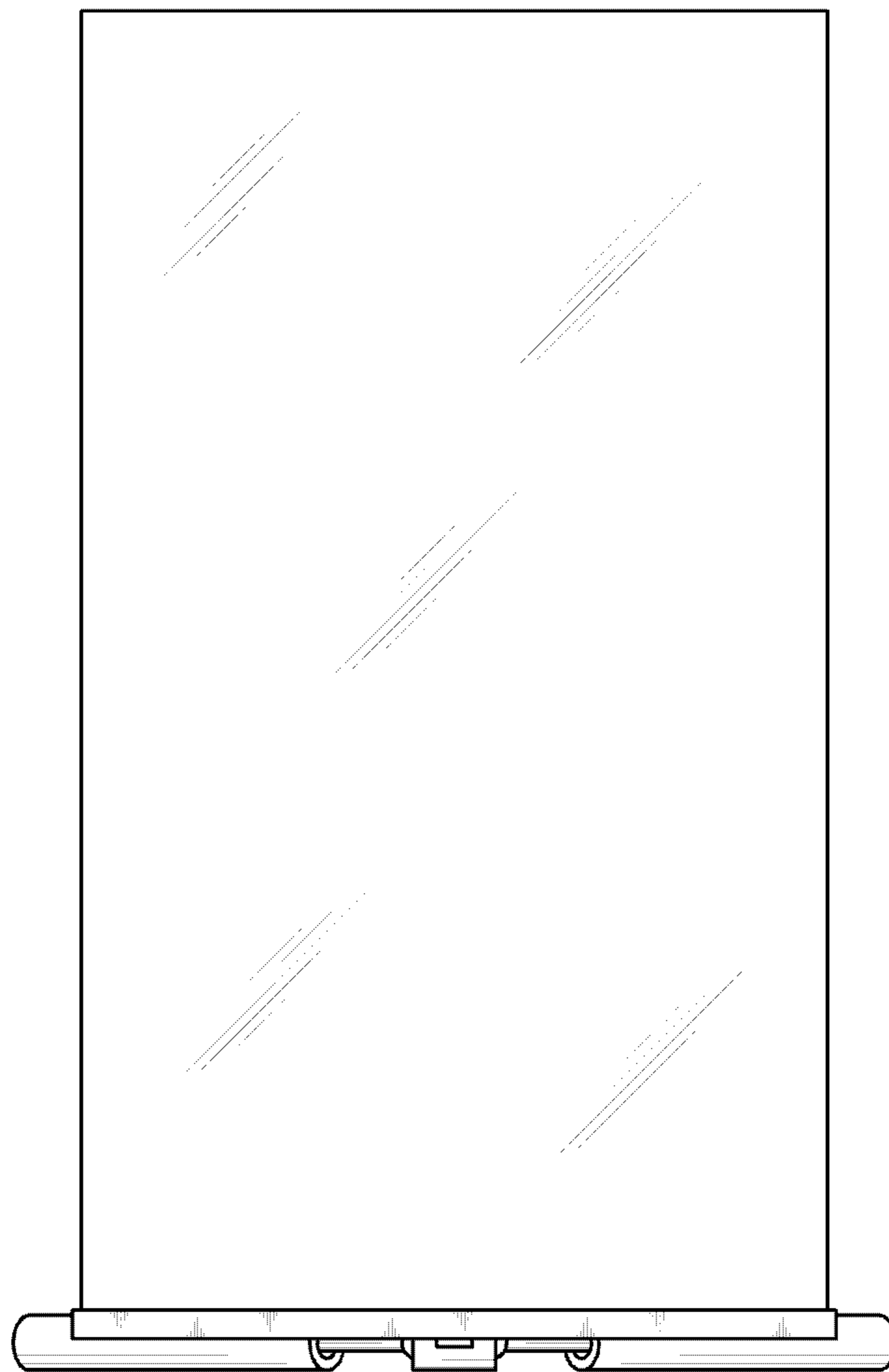


FIG. 3

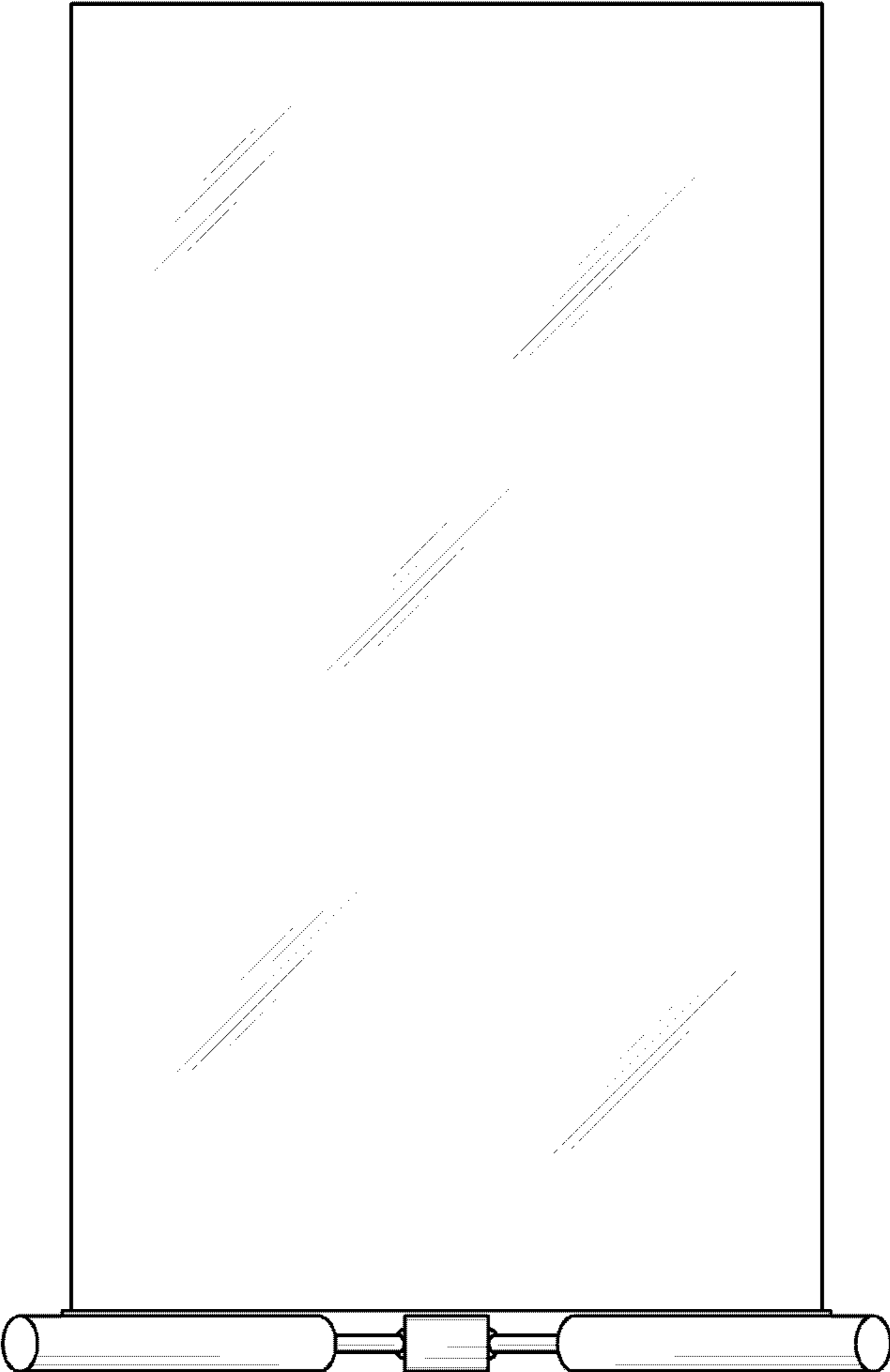


FIG. 4

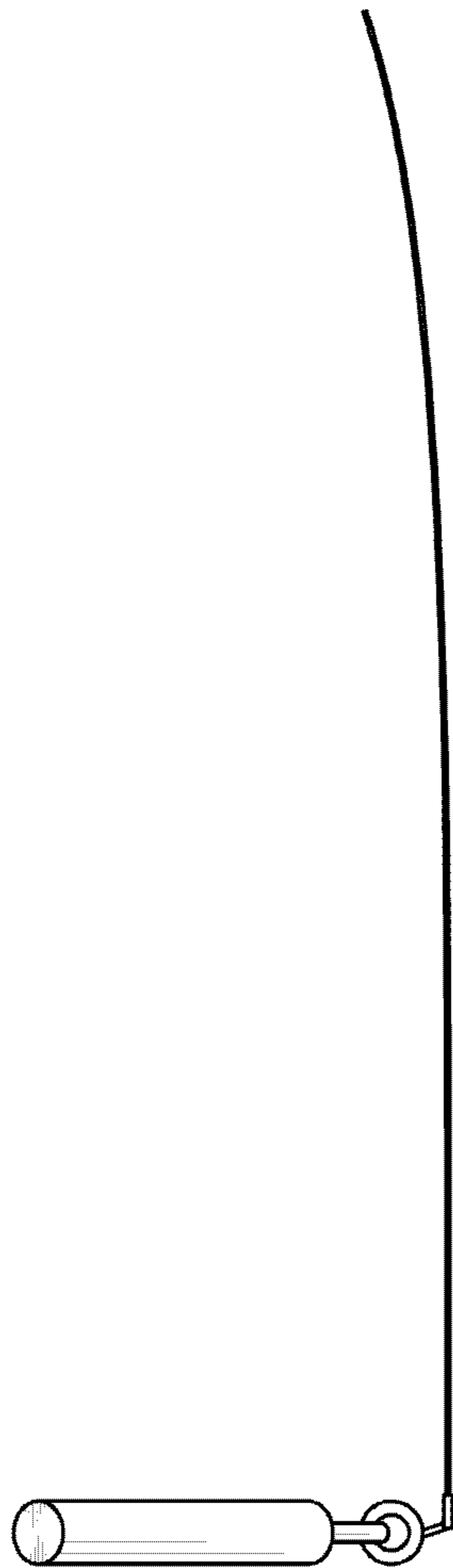


FIG. 5

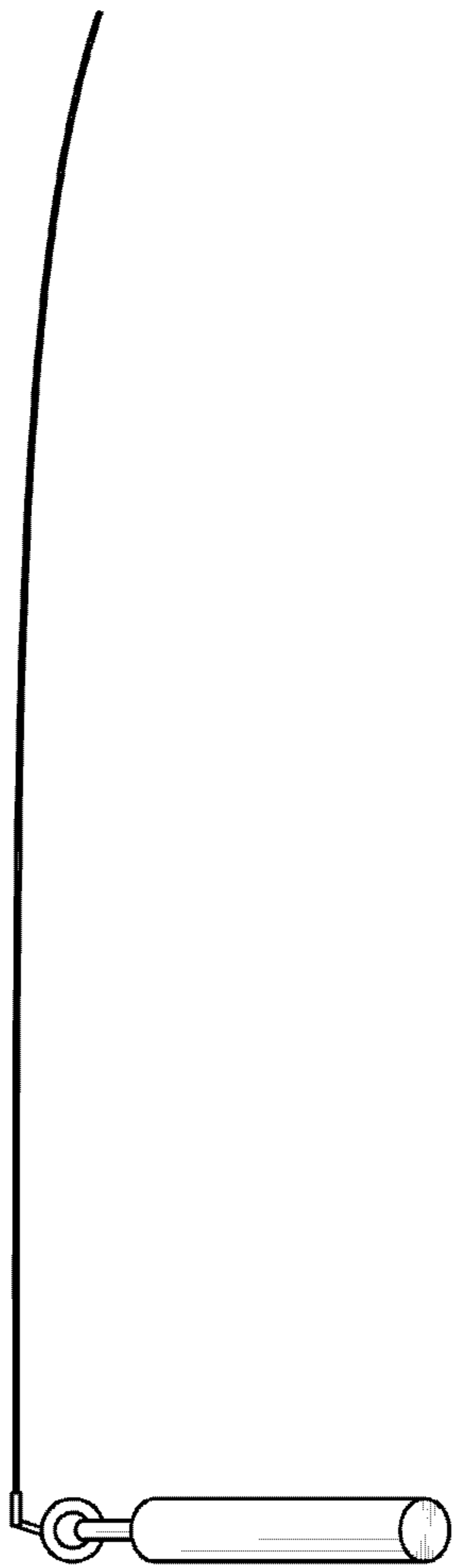


FIG. 6

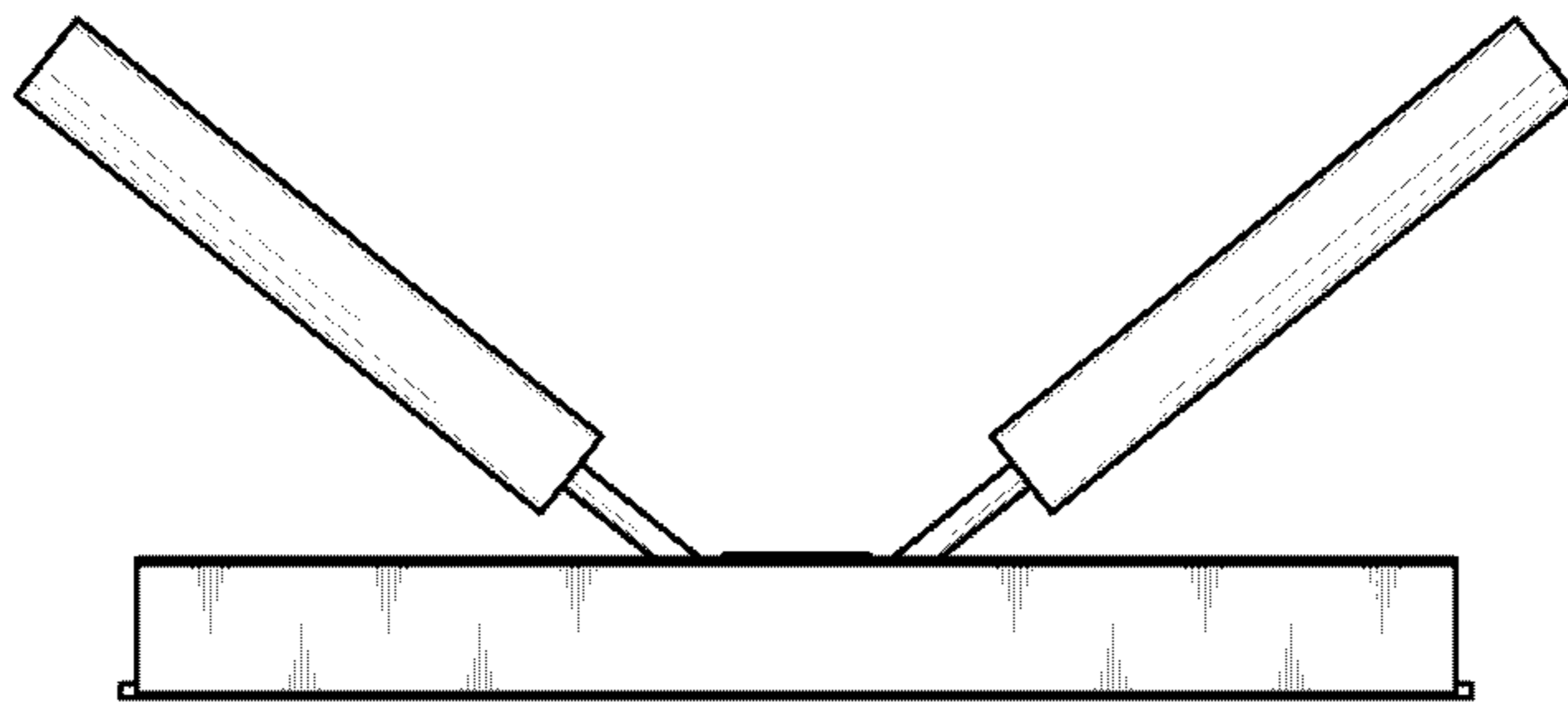


FIG. 7

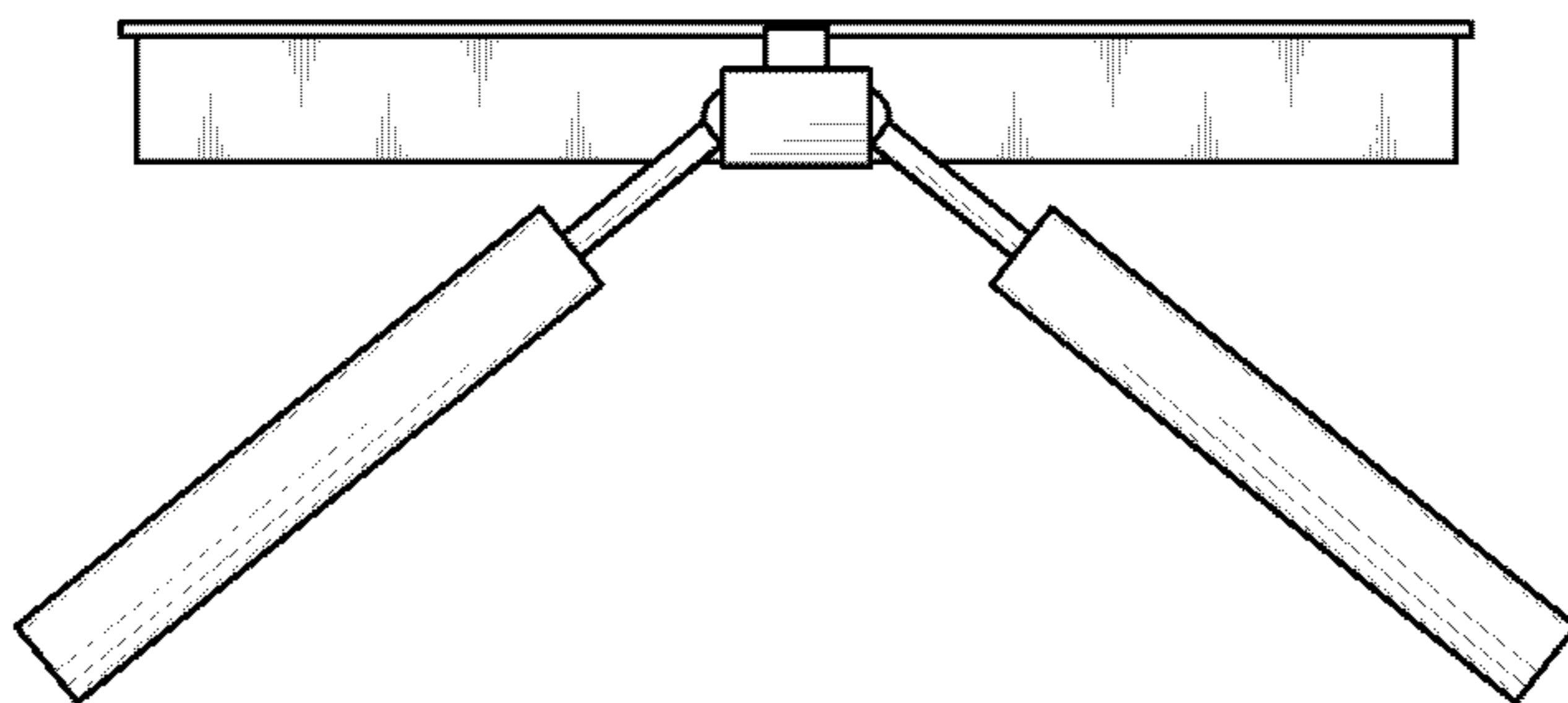


FIG. 8

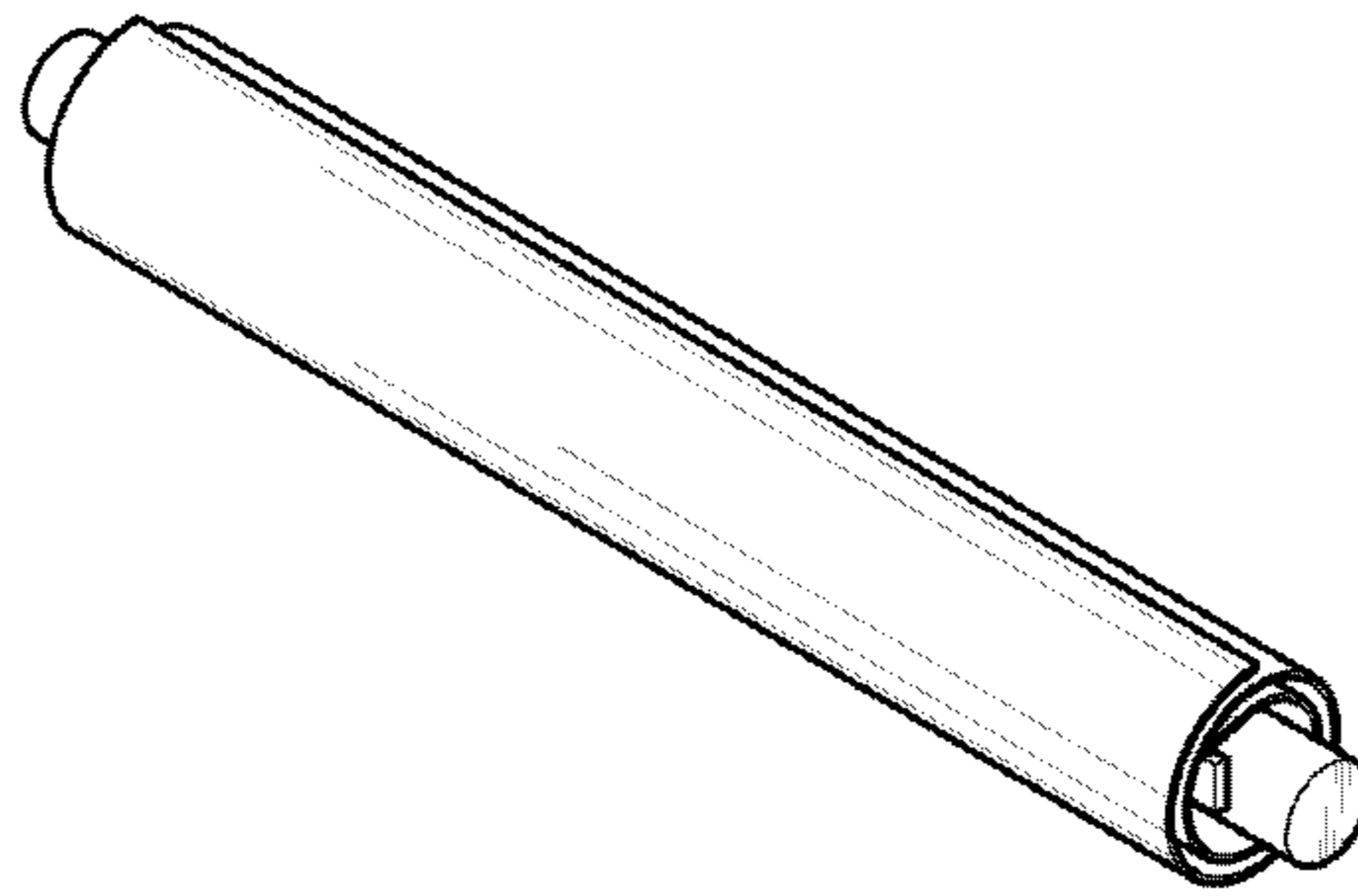


FIG. 9

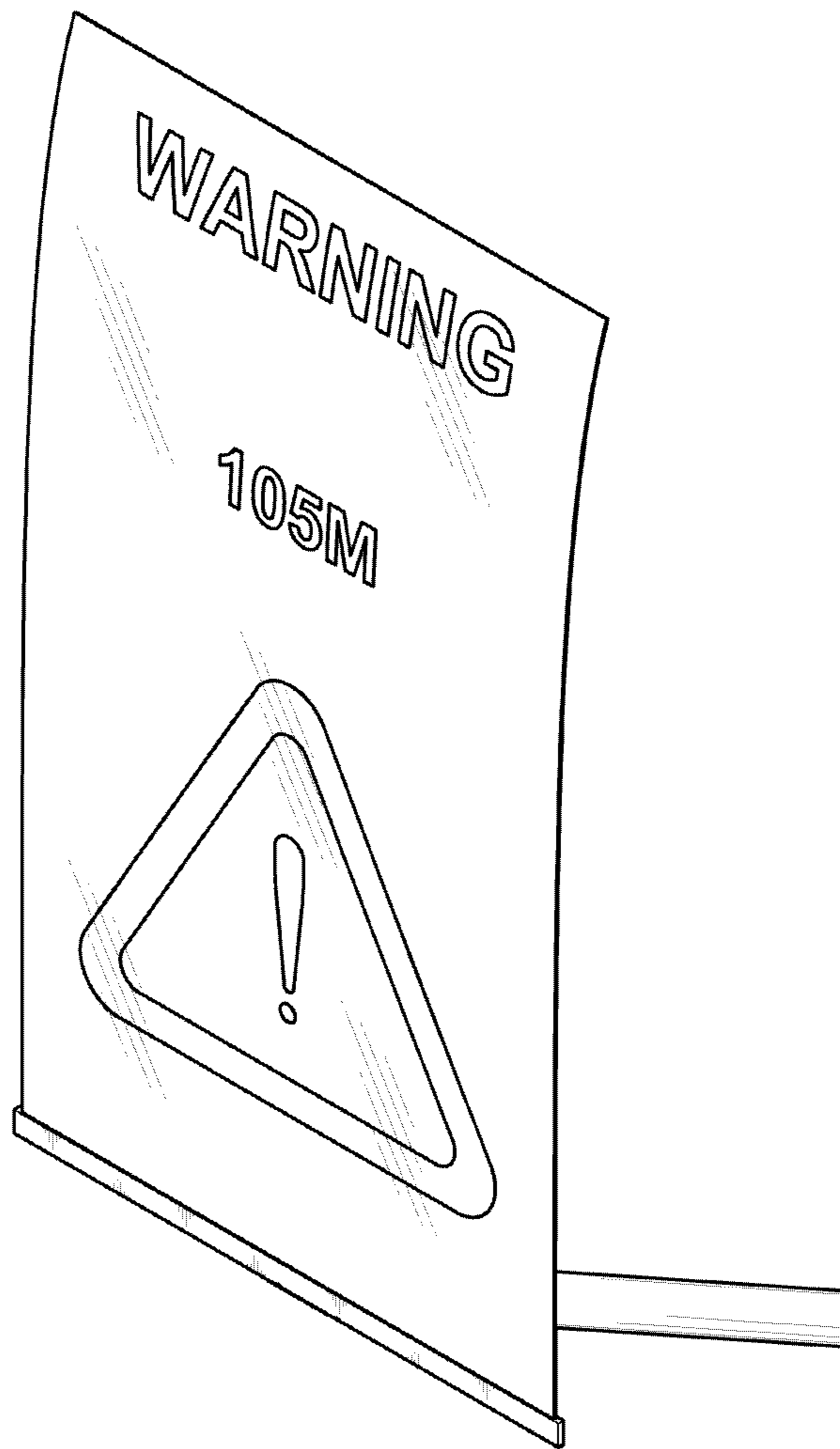


FIG. 10

