



US00D708081S

(12) **United States Design Patent**
Shibasaki

(10) **Patent No.:** **US D708,081 S**

(45) **Date of Patent:** **** Jul. 1, 2014**

(54) **DETECTOR FOR FLOWMETER**

(71) Applicant: **Fuji Electric Co., Ltd.**, Kawasaki (JP)

(72) Inventor: **Takuya Shibasaki**, Tokyo (JP)

(73) Assignee: **Fuji Electric Co., Ltd.**, Kawasaki-shi (JP)

(**) Term: **14 Years**

(21) Appl. No.: **29/465,760**

(22) Filed: **Aug. 30, 2013**

(30) **Foreign Application Priority Data**

Apr. 24, 2013 (JP) 2013-009212

(51) **LOC (10) Cl.** **10-04**

(52) **U.S. Cl.**
USPC **D10/96**

(58) **Field of Classification Search**

CPC G01F 1/712; G01F 1/667; G01F 1/74;
G01F 1/663; G01F 1/66; G01F 25/0007;
G01F 1/8486; G01F 1/3281; G01F 1/7082;
G01F 1/72; G01F 7/00; G01F 23/296; G01F
1/8477; G01F 23/284; G01F 1/662; G01F
1/3254; G01P 5/245

USPC D10/96, 99, 100; 73/700-75,
73/861-861.41; 116/264, 276

See application file for complete search history.

(56) **References Cited**

U.S. PATENT DOCUMENTS

5,513,535 A * 5/1996 Mayranen et al. 73/861.29
7,024,944 B2 * 4/2006 Imai et al. 73/861.27
2004/0007079 A1 * 1/2004 Wilda 73/861.29
2011/0120231 A1 * 5/2011 Berger et al. 73/861.18

* cited by examiner

Primary Examiner — Antoine D Davis

(74) *Attorney, Agent, or Firm* — Oliff PLC

(57) **CLAIM**

The ornamental design for a detector for flowmeter, as shown and described.

DESCRIPTION

FIG. 1 is a front view of a detector for flowmeter in a configuration in which the detector is fully retracted, the rear view being a mirror image;

FIG. 2 is a top view thereof in a configuration in which the detector is fully retracted;

FIG. 3 is a bottom view thereof in a configuration in which the detector is fully retracted;

FIG. 4 is a right-side view of the detector both fully retracted and fully extended, the left-side being a mirror image;

FIG. 5 is a perspective view thereof;

FIG. 6 is a front view thereof in a configuration in which the detector is fully extended, the rear view of the extended configuration being a mirror image;

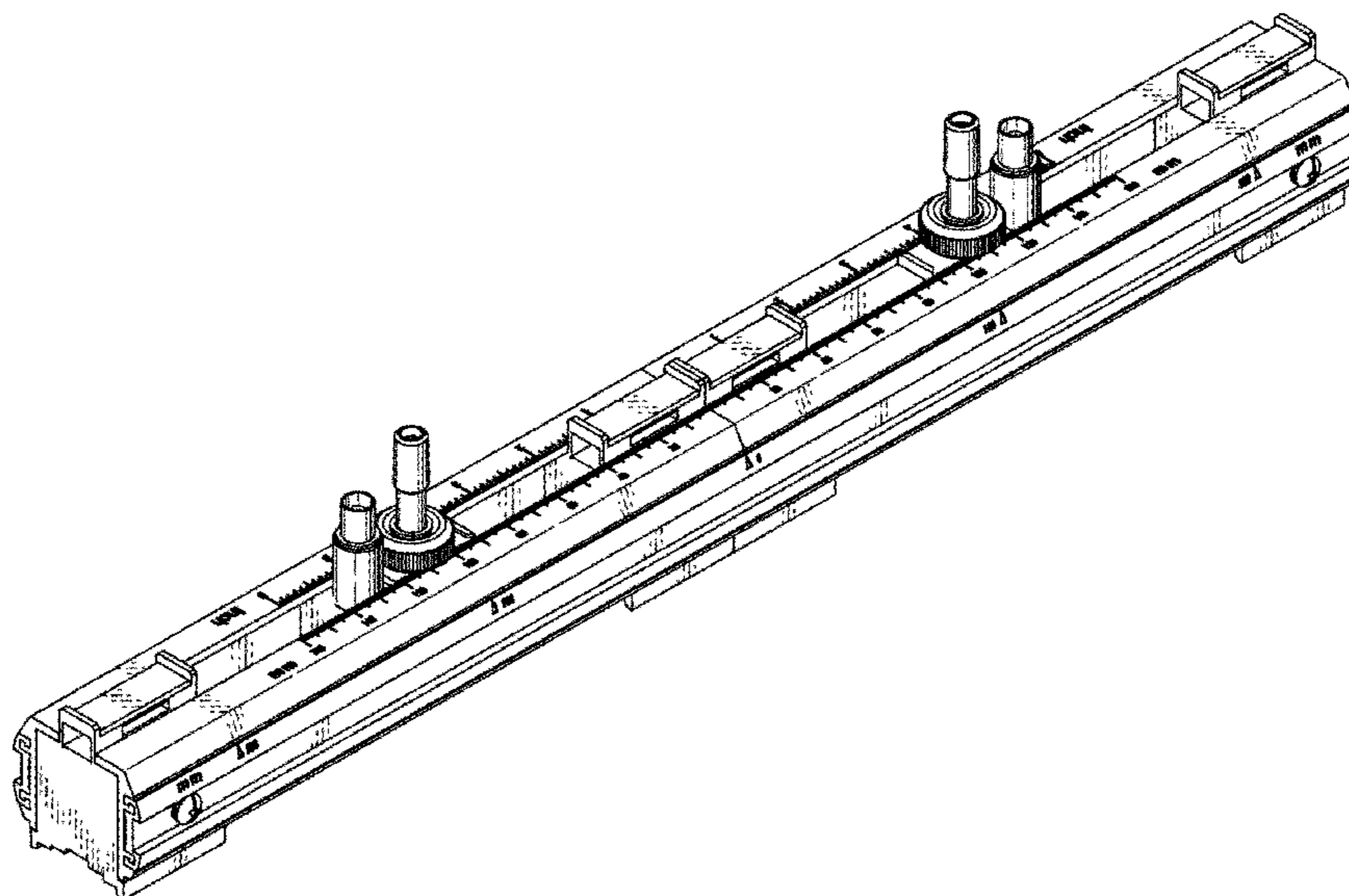
FIG. 7 is a top view thereof in a configuration in which the detector is fully extended;

FIG. 8 is a bottom view thereof in a configuration in which the detector is fully extended;

FIG. 9 is a cross-sectional view thereof that is cut by a broken line 9-9 in FIG. 7; and,

FIG. 10 is a cross-sectional view thereof that is cut by a broken line 10-10 in FIG. 6.

1 Claim, 9 Drawing Sheets



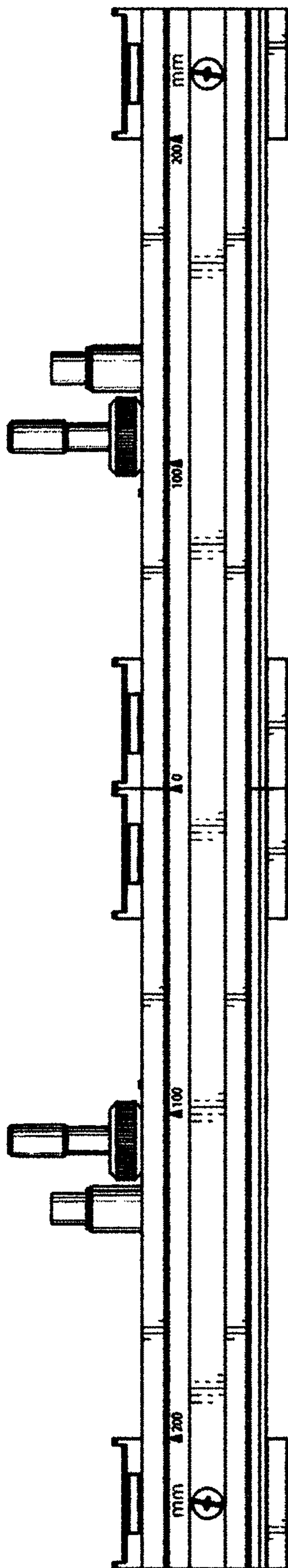


FIG.1

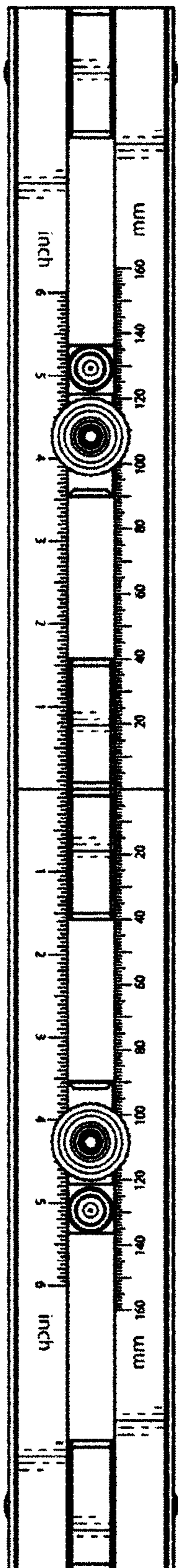


FIG.2

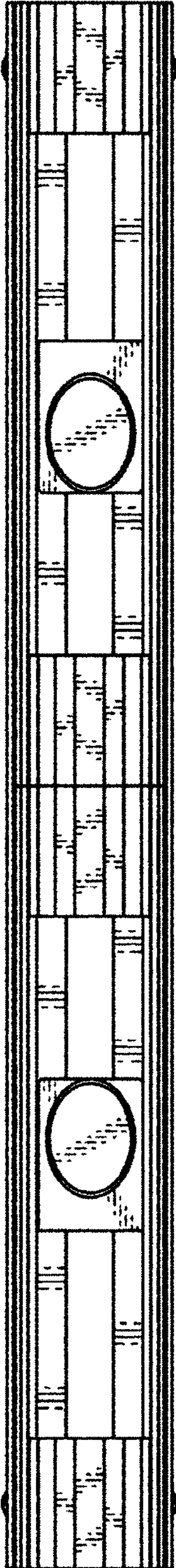


FIG.3

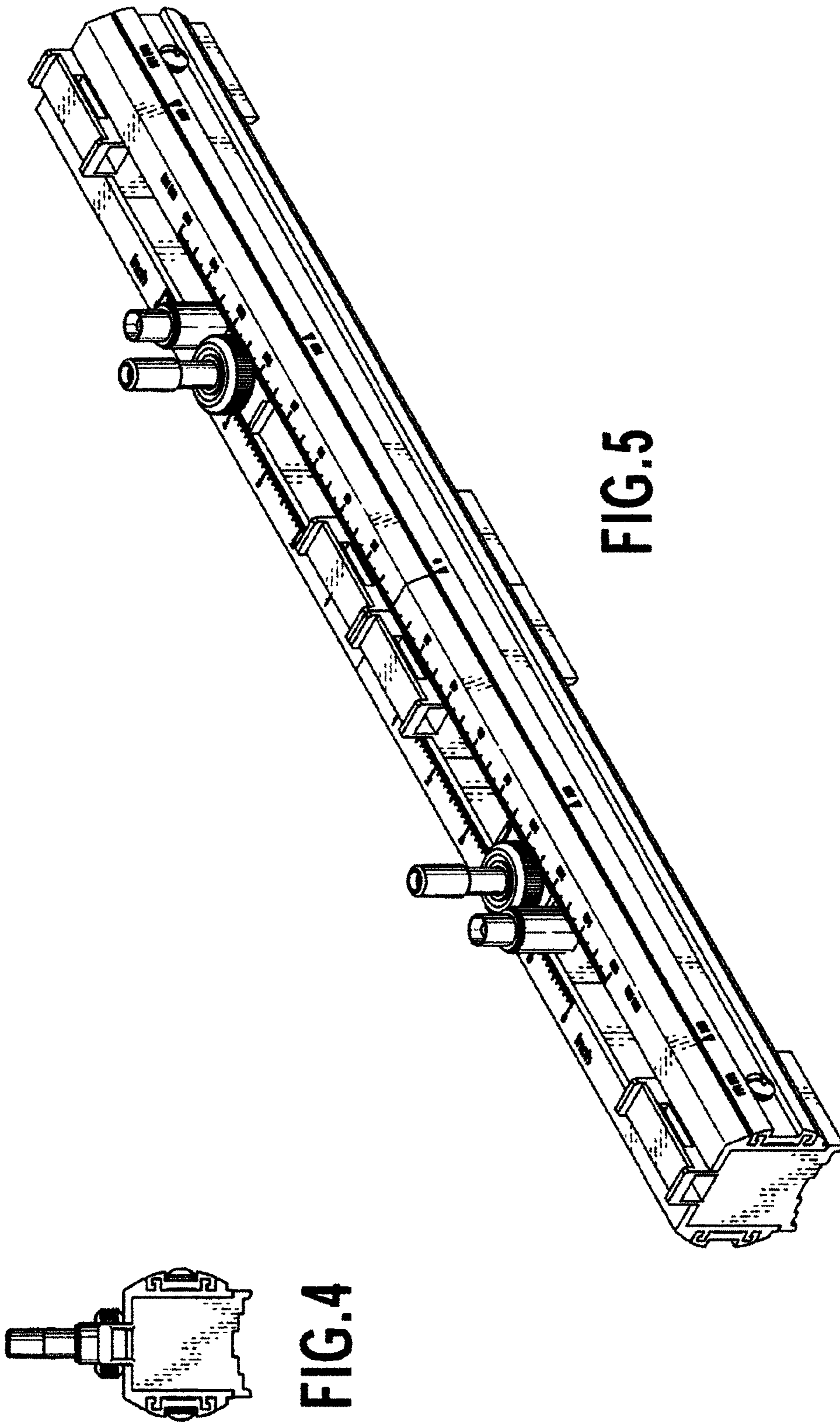


FIG.4

FIG.5

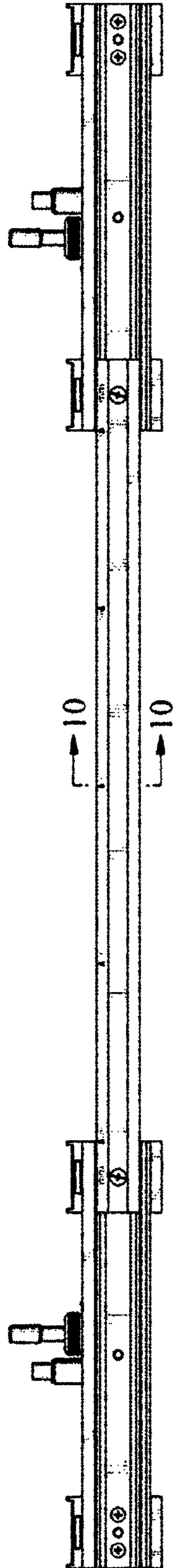


FIG.6



FIG. 7



FIG. 8

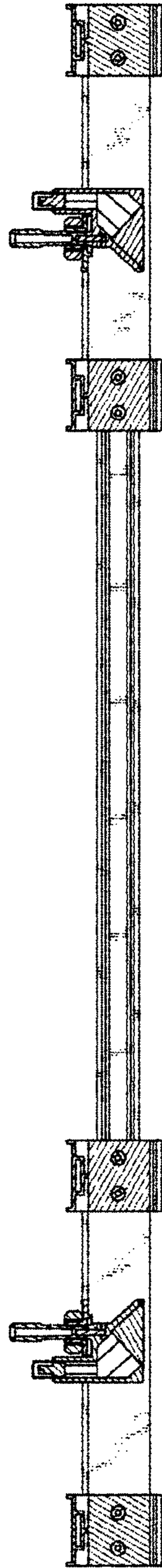


FIG. 9

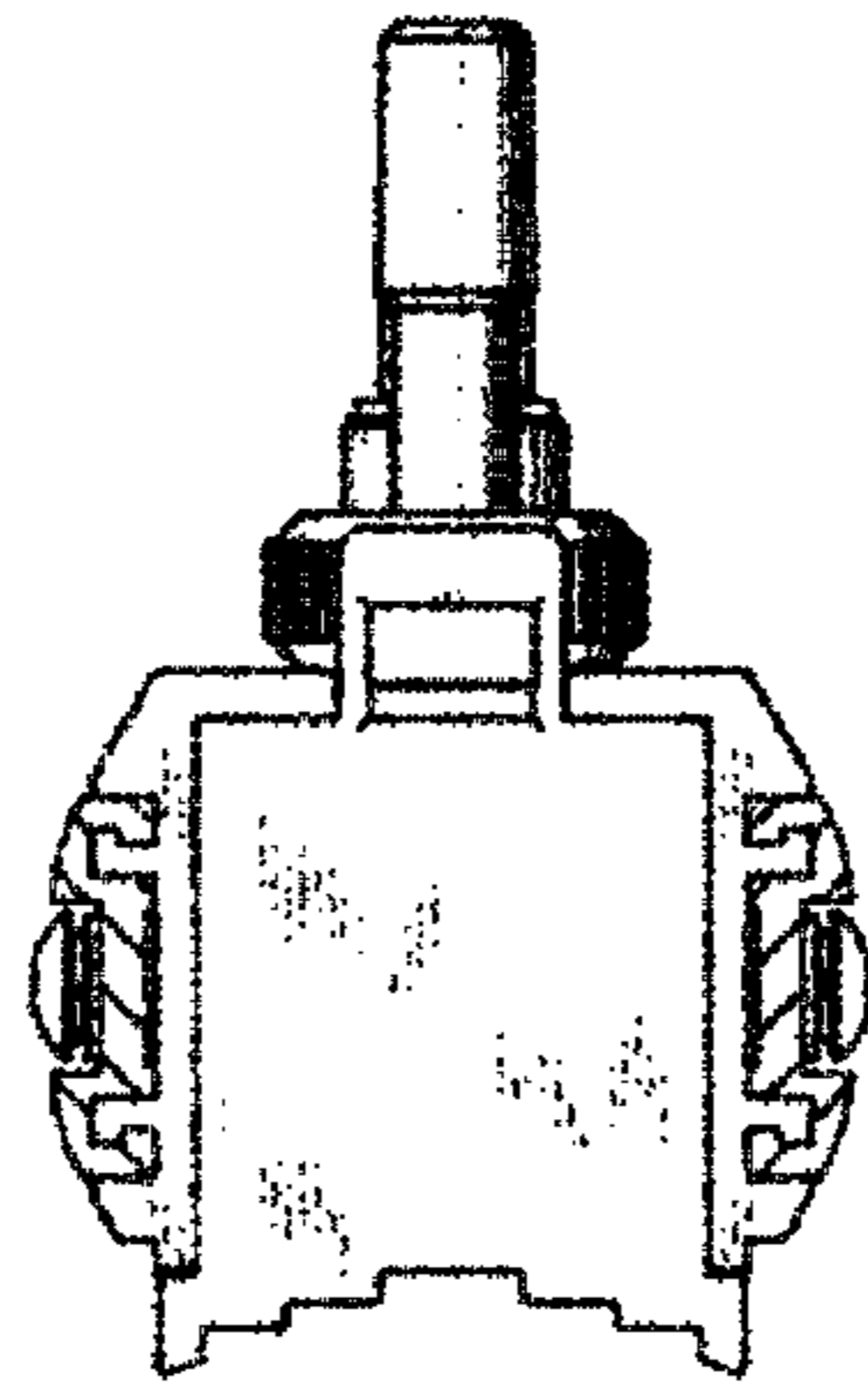


FIG.10