



US00D708079S

(12) **United States Design Patent**
Giaconia et al.

(10) **Patent No.:** **US D708,079 S**
(45) **Date of Patent:** **** Jul. 1, 2014**

(54) **MEASUREMENT INSTRUMENT**

(71) Applicants: **Costantino Giuseppe Giaconia**, Milan (IT); **Giuseppe Fiscelli**, Milan (IT); **Fabio Abbiati**, Milan (IT)

(72) Inventors: **Costantino Giuseppe Giaconia**, Milan (IT); **Giuseppe Fiscelli**, Milan (IT); **Fabio Abbiati**, Milan (IT)

(73) Assignee: **Prysmian Cavi E Sistemi S.r.l.** (IT)

(**) Term: **14 Years**

(21) Appl. No.: **29/432,805**

(22) Filed: **Sep. 20, 2012**

(30) **Foreign Application Priority Data**

Mar. 22, 2012 (EM) 002013326

(51) **LOC (10) Cl.** **10-04**

(52) **U.S. Cl.**
USPC **D10/75**

(58) **Field of Classification Search**
USPC D10/46, 75; 73/865.8, 866; 324/547, 324/726, 551, 509, 510, 512, 536, 501, 528, 324/537; 33/566, 474; 455/232.1

See application file for complete search history.

(56) **References Cited**

U.S. PATENT DOCUMENTS

6,549,017 B2 * 4/2003 Coffeen 324/547

* cited by examiner

Primary Examiner — Antoine D Davis

(74) *Attorney, Agent, or Firm* — Finnegan, Henderson, Farabow, Garrett & Dunner, LLP

(57) **CLAIM**

The ornamental design for a measurement instrument, as shown and described.

DESCRIPTION

FIG. 1 is a perspective view of a measurement instrument showing our new design;

FIG. 2 is a front view thereof;

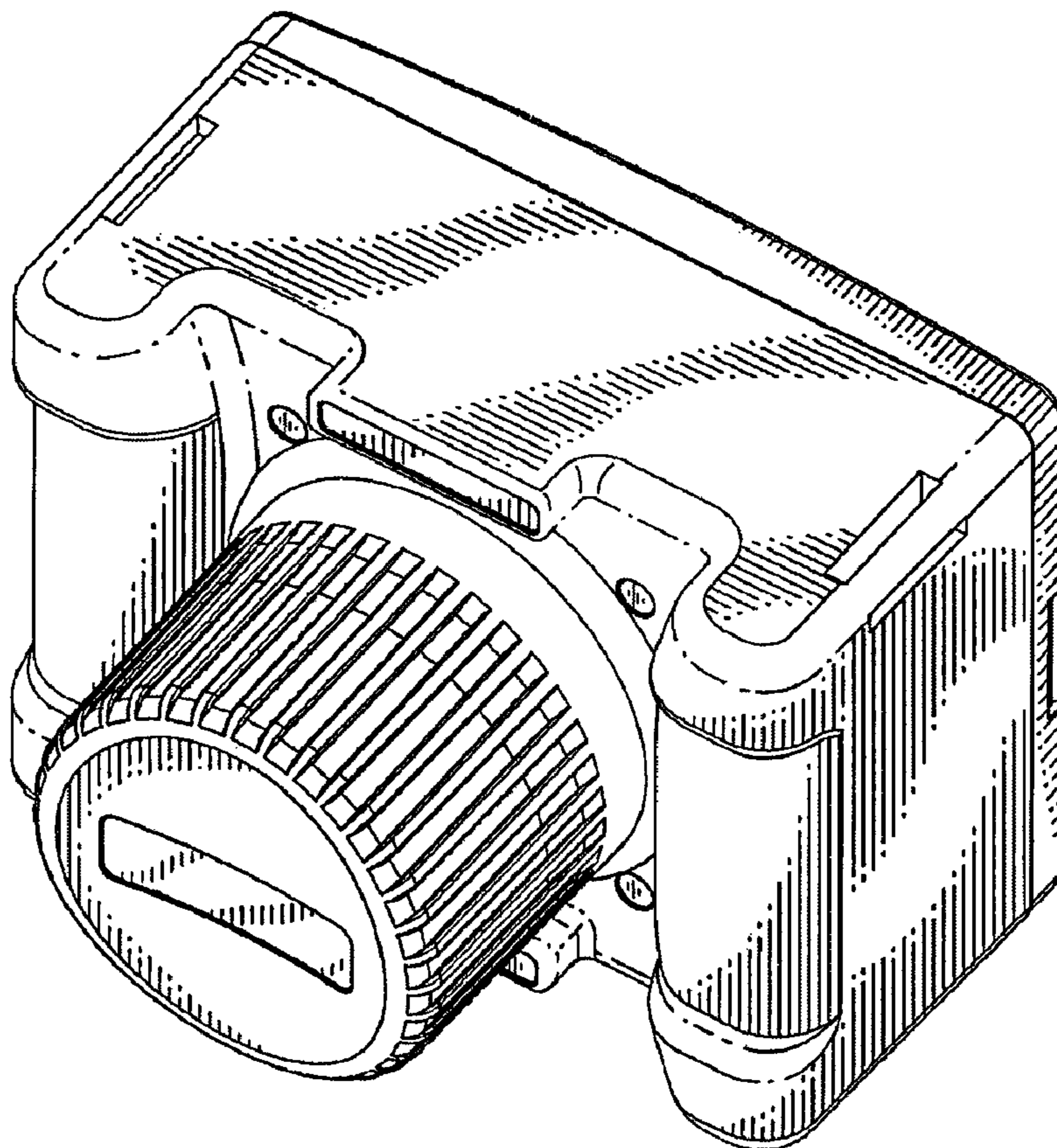
FIG. 3 is a left side view thereof, the right side view being a mirror image thereof;

FIG. 4 is the back view thereof

FIG. 5 is the top plan view thereof; and,

FIG. 6 is the bottom view thereof.

1 Claim, 3 Drawing Sheets



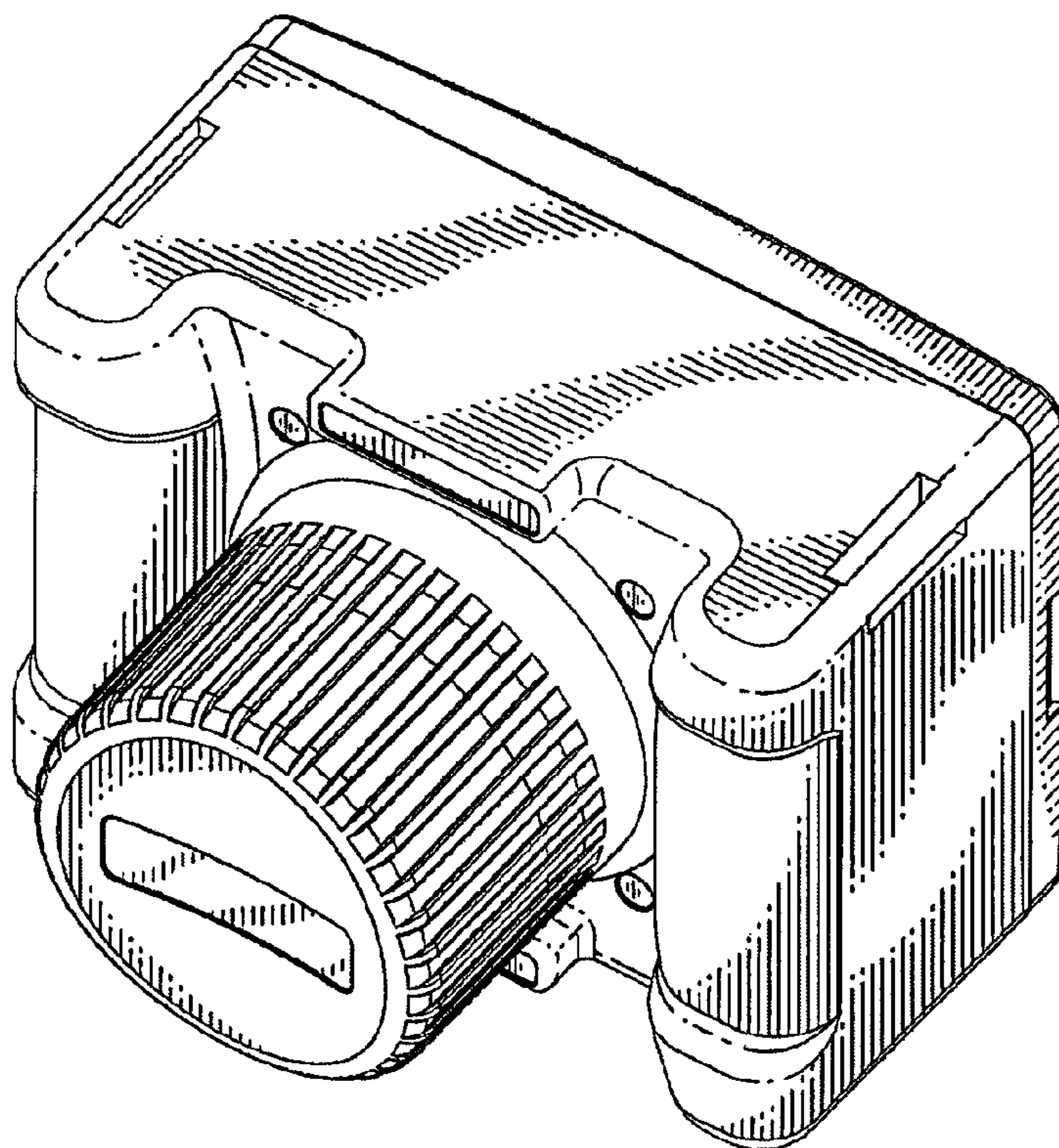


Fig. 1

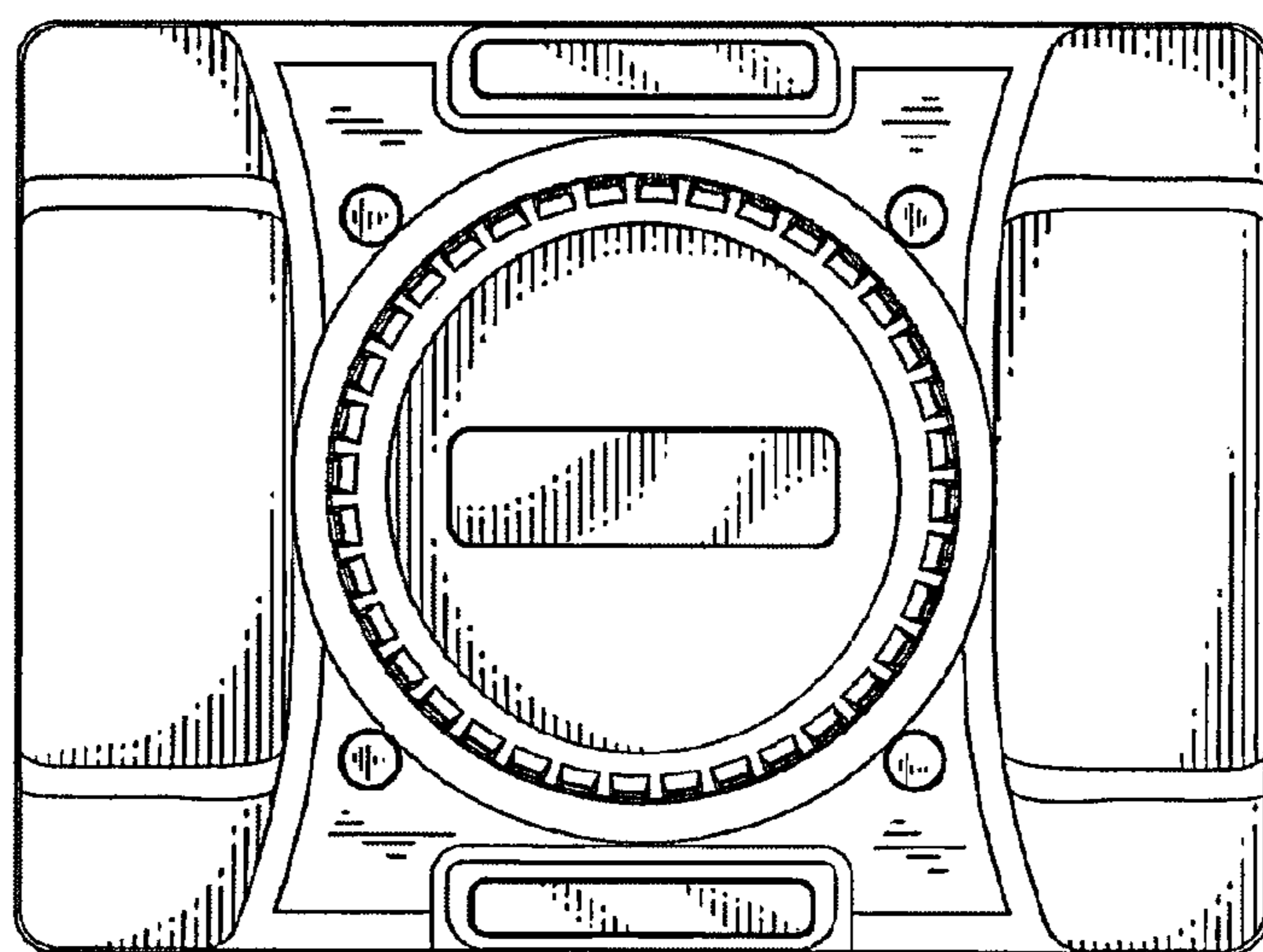


Fig. 2

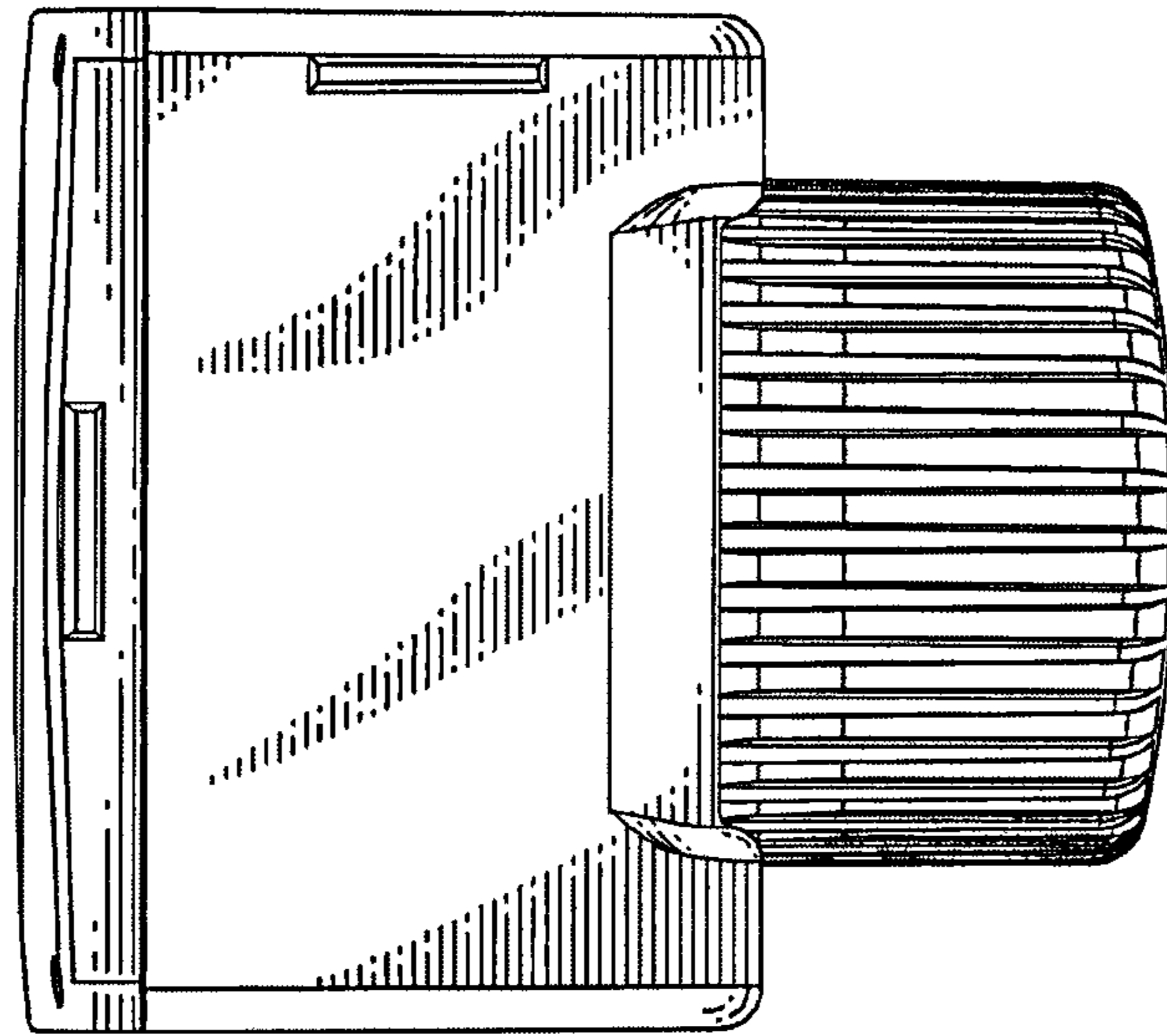


Fig. 3

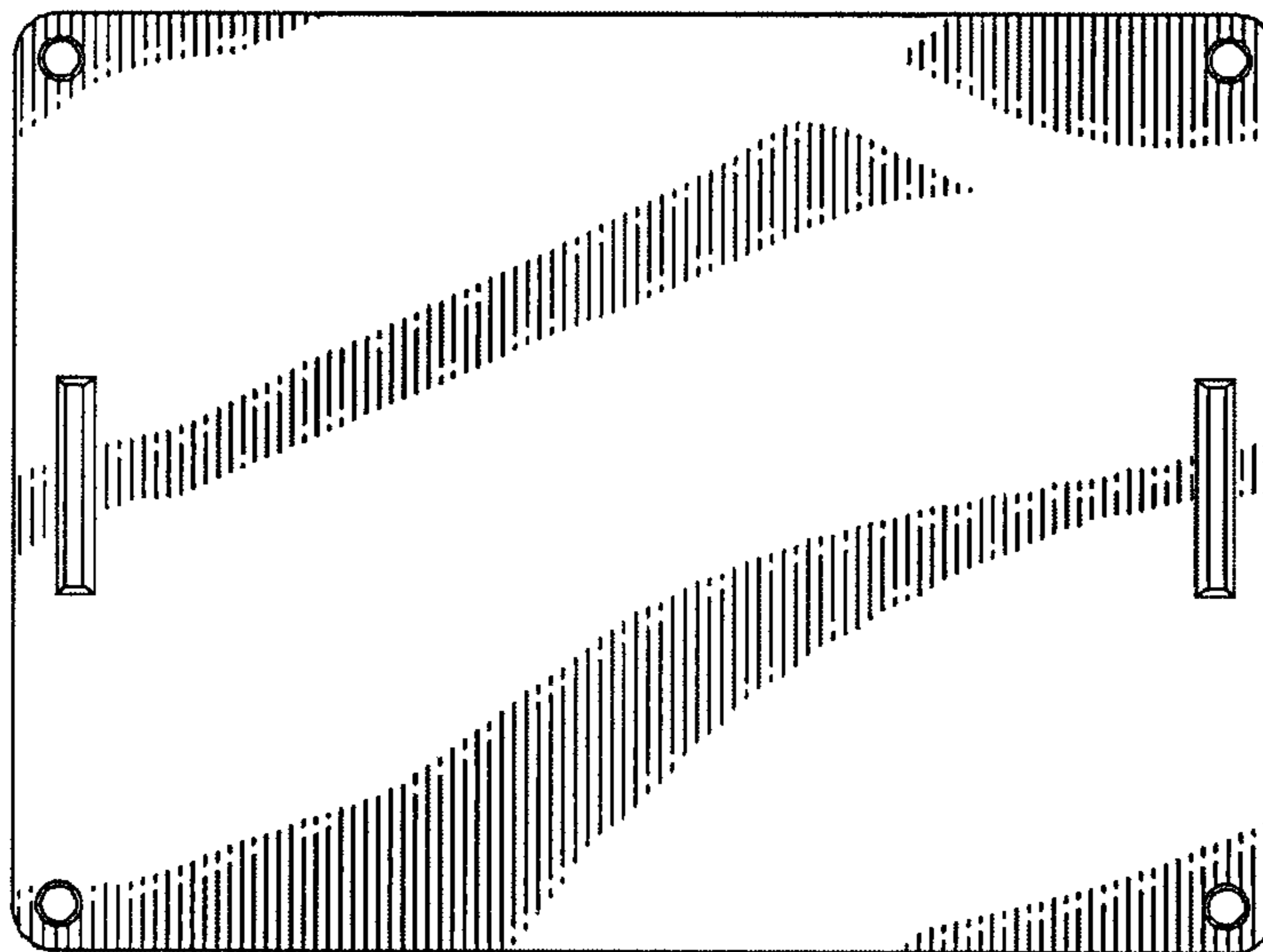


Fig. 4

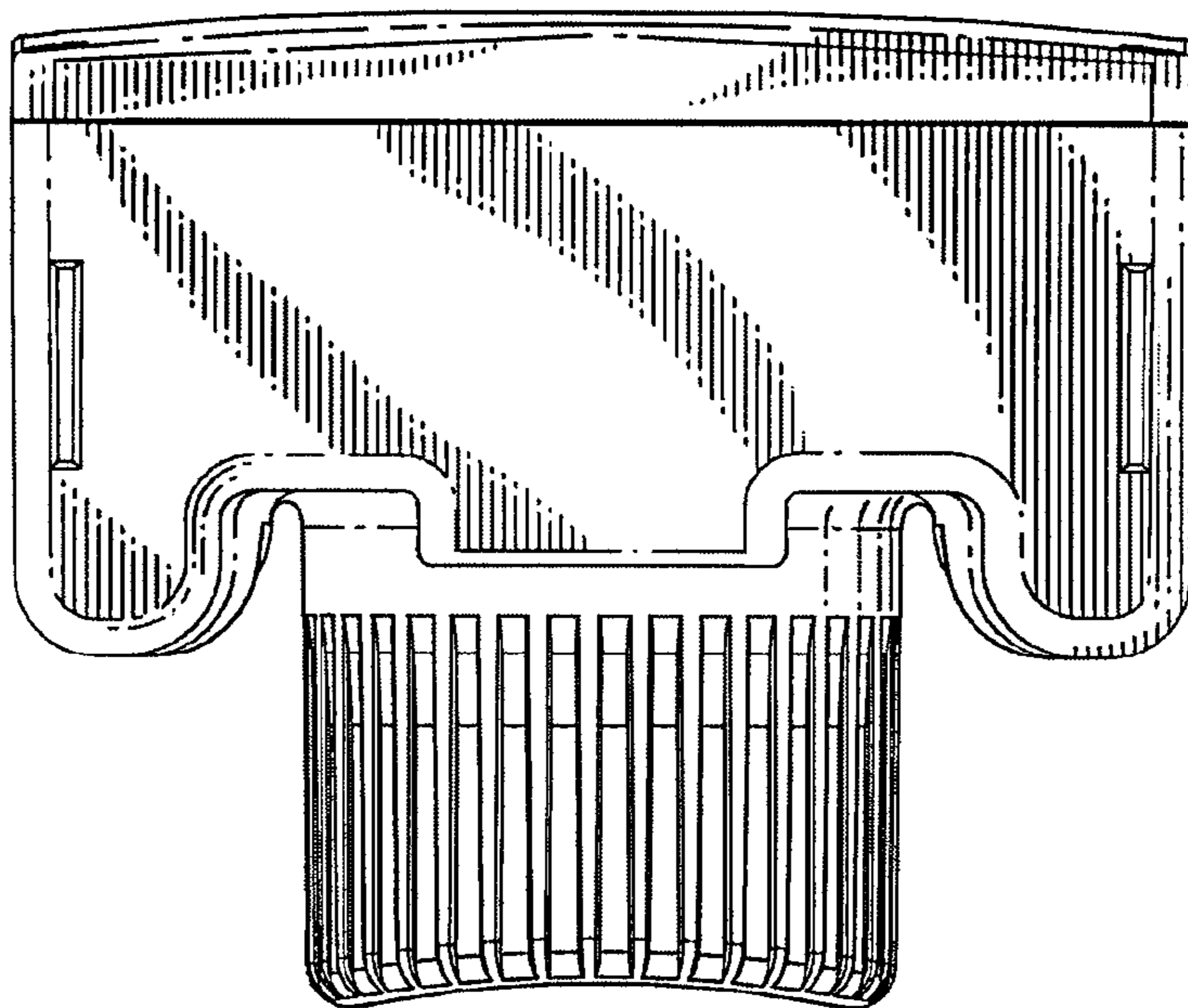


Fig. 5

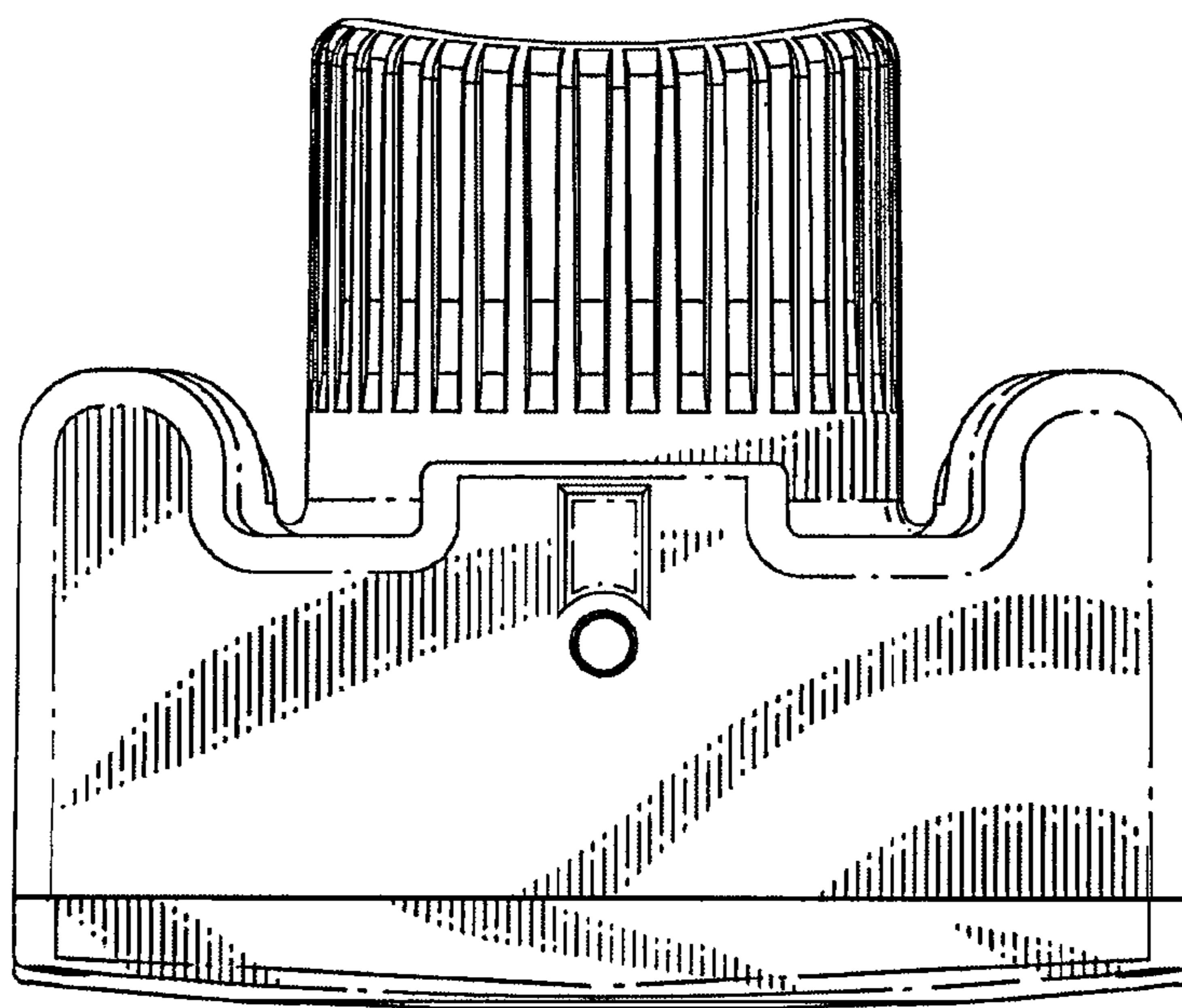


Fig. 6