



US00D708078S

(12) **United States Design Patent**  
**Stevens et al.**

(10) **Patent No.:** **US D708,078 S**

(45) **Date of Patent:** **\*\* \*Jul. 1, 2014**

(54) **NAVIGATION DEVICE**

600/443, 453, 459, 465, 479, 500, 502, 595,  
600/485, 481, 483; 342/176, 175, 179, 180,  
342/190, 191, 195; 367/107, 108, 87, 99

(71) Applicant: **Garmin Switzerland GmbH**,  
Schaffhausen (CH)

See application file for complete search history.

(72) Inventors: **Warren R. Stevens**, Olathe, KS (US);  
**Juhee Lee**, Olathe, KS (US); **Derrick D. Lenz**,  
Olathe, KS (US); **Jeff D. Taylor**,  
Wellsville, KS (US)

(56) **References Cited**

U.S. PATENT DOCUMENTS

D540,203 S \* 4/2007 Jeon ..... D10/65  
D541,186 S 4/2007 Lammers-Meis et al. .... D10/65

(Continued)

(73) Assignee: **Garmin Switzerland GmbH** (CH)

(\*) Notice: This patent is subject to a terminal disclaimer.

OTHER PUBLICATIONS

Printout from [http://news.cnet.com/8301-10784\\_3-9762362-7.html](http://news.cnet.com/8301-10784_3-9762362-7.html)  
published prior to Jan. 2, 2013.

(\*\*) Term: **14 Years**

(Continued)

(21) Appl. No.: **29/441,226**

*Primary Examiner* — Antoine D Davis

(22) Filed: **Jan. 2, 2013**

(74) *Attorney, Agent, or Firm* — Samuel M. Korte;  
Mohammad M. Ali

(51) **LOC (10) Cl.** ..... **10-04**

(52) **U.S. Cl.**  
USPC ..... **D10/65; D10/70**

(58) **Field of Classification Search**  
USPC ..... D10/65, 70, 75, 78; D14/318, 341, 388,  
D14/389; 343/702; 345/87, 104, 133, 156,  
345/168, 173, 901–905, 165, 418, 581, 582,  
345/584; 348/180, 184, 315, 739, 836, 838,  
348/325; 364/444, 499; 701/408–418, 431,  
701/432, 537; 312/7.2; 341/12; 720/605,  
720/669, 600, 655; 369/99, 197; 455/344,  
455/347, 575.1; 250/221, 338.3, 340, 239,  
250/342, 341, DIG. 1, 353; 307/116, 117;  
340/521, 527, 541, 567, 540, 568.2,  
340/539.23, 635, 687; 315/159; 324/72.5,  
324/556, 133, 149, 503, 543, 555, 66, 72,  
324/754, 115, 141, 522; 73/615, 624, 627,  
73/644, 514.33, 514.34, 510, 513, 527,  
73/530; 356/3.01–5.15; 235/105; 377/5,  
377/24.2, 26; 702/155, 160, 176, 78, 79,  
702/82, 91–95, 104, 116, 141, 150, 151,  
702/154, 127, 131, 182, 183, 189; 600/437,

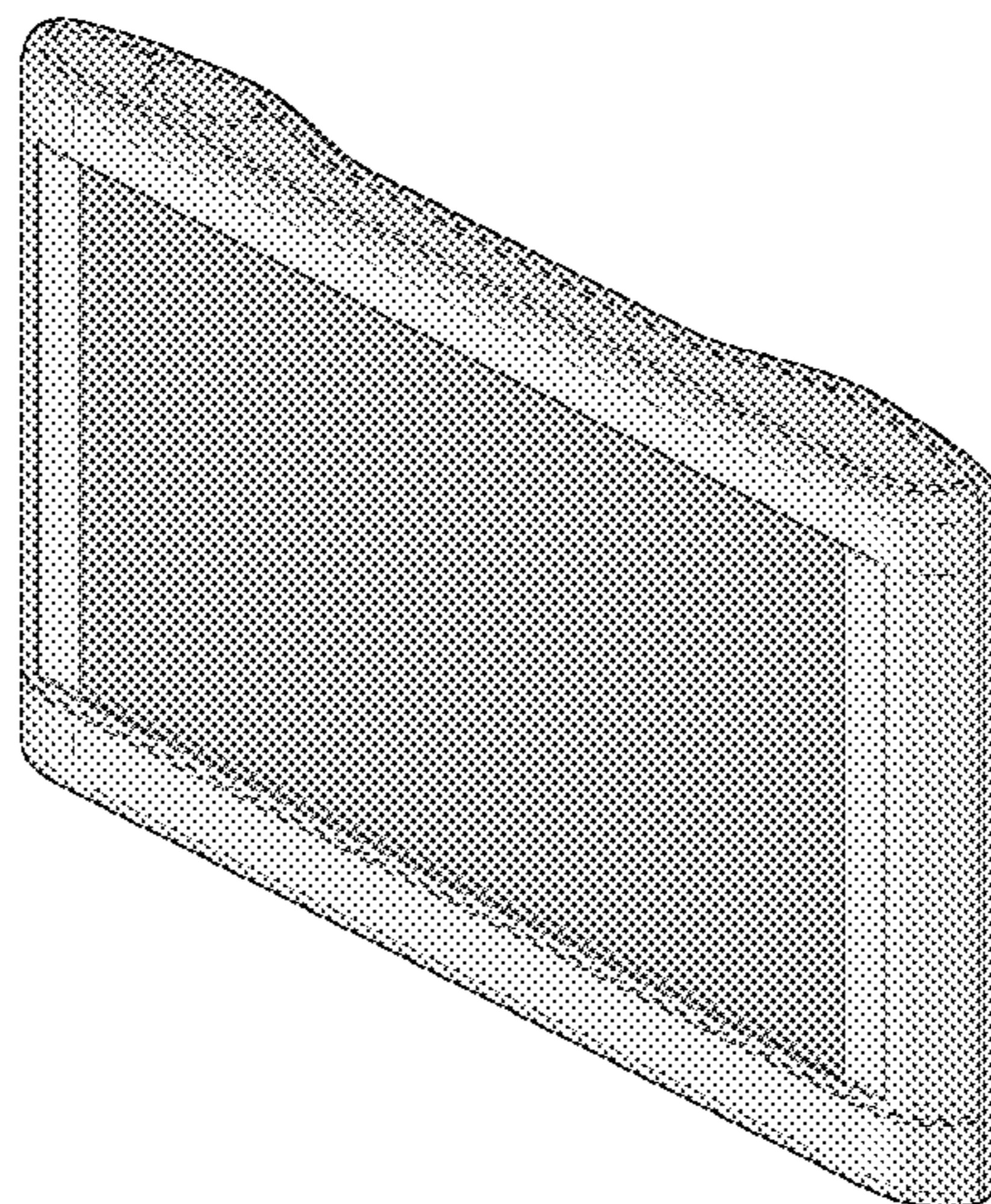
(57) **CLAIM**

The ornamental design for a navigation device, as shown and described.

**DESCRIPTION**

FIG. 1 is a front perspective view of an electronic device according to embodiments of the present invention; FIG. 2 is a rear perspective view of the electronic device; FIG. 3 is a top view of the electronic device; FIG. 4 is a front view of the electronic device; FIG. 5 is a bottom view of the electronic device; FIG. 6 is a rear view of the electronic device; FIG. 7 is a left side view of the electronic device; and, FIG. 8 is a right side view of the electronic device. Portions of FIGS. 1 through 8 are shown in dashed lines for illustrative purposes only and form no part of the claimed design.

**1 Claim, 3 Drawing Sheets**



(56)

References Cited

U.S. PATENT DOCUMENTS

D543,875 S 6/2007 Skelton et al. .... D10/65  
 D543,876 S 6/2007 Kalis et al. .... D10/65  
 D544,381 S 6/2007 Lammers-Meis et al. .... D10/65  
 D549,603 S 8/2007 Lammers-Meis et al. .... D10/74  
 D561,619 S 2/2008 Miyawaki ..... D10/65  
 D563,806 S 3/2008 Jeon ..... D10/65  
 D565,978 S 4/2008 Stevens et al. .... D10/65  
 D565,979 S 4/2008 Ichikawa et al. .... D10/65  
 D566,588 S 4/2008 Stevens et al. .... D10/65  
 D571,234 S 6/2008 Reeson et al. .... D10/65  
 D571,235 S 6/2008 Stevens et al. .... D10/65  
 D573,044 S 7/2008 Kalis et al. .... D10/65  
 D574,271 S 8/2008 Stevens et al. .... D10/65  
 D574,272 S 8/2008 Stevens et al. .... D10/65  
 D575,171 S 8/2008 Miyawaki ..... D10/65  
 D577,298 S 9/2008 Reeson et al. .... D10/65  
 D582,806 S 12/2008 Schmid-Schweiger ..... D10/65  
 D584,646 S 1/2009 Sanguinetti ..... D10/65  
 D589,381 S 3/2009 Gretton ..... D10/65  
 D589,824 S 4/2009 Gretton ..... D10/65  
 D592,083 S 5/2009 Stevens et al. .... D10/65  
 D592,084 S 5/2009 Stevens et al. .... D10/65  
 D595,598 S 7/2009 Stevens et al. .... D10/65  
 7,567,212 B2 7/2009 Inoue et al. .... 343/702  
 D603,278 S 11/2009 Jerbi ..... D10/65  
 D603,279 S 11/2009 Weinschenk ..... D10/65  
 D608,669 S 1/2010 Stevens et al. .... D10/65  
 D611,362 S \* 3/2010 Hansen et al. .... D10/65  
 D611,363 S 3/2010 Lenz et al. .... D10/65  
 D611,364 S 3/2010 Lenz et al. .... D10/65  
 D622,169 S 8/2010 Lenz ..... D10/65  
 D626,437 S 11/2010 Lee et al. .... D10/65  
 D627,666 S 11/2010 Lenz et al. .... D10/65  
 D627,667 S 11/2010 Lenz et al. .... D10/65  
 D628,570 S \* 12/2010 Li ..... D14/341  
 D628,913 S 12/2010 Cheng ..... D10/65  
 D640,149 S 6/2011 Lenz et al. .... D10/65  
 D640,150 S \* 6/2011 Hansen et al. .... D10/65  
 D641,751 S \* 7/2011 Morton et al. .... D14/341  
 D644,538 S 9/2011 Lenz et al. .... D10/10

D648,233 S 11/2011 Lenz et al. .... D10/65  
 D648,234 S 11/2011 Lenz et al. .... D10/65  
 D659,568 S 5/2012 Stevens et al. .... D10/65  
 D661,692 S \* 6/2012 Sanlavielle ..... D14/240  
 2008/0231538 A1 9/2008 Inoue et al. .... 343/872  
 2008/0259024 A1 10/2008 Nam et al. .... 345/156  
 2009/0043446 A1 2/2009 Drew et al. .... 701/133  
 2009/0160803 A1 6/2009 Hashimoto ..... 345/173  
 2009/0189803 A1 7/2009 Beason ..... 342/357.1  
 2009/0219259 A1 9/2009 Kwon ..... 345/173  
 2010/0057359 A1 3/2010 Caballero et al. .... 701/214  
 2010/0066682 A1 3/2010 Tseng et al. .... 345/173  
 2010/0120450 A1 5/2010 Herz ..... 455/456.3  
 2010/0250113 A1 9/2010 Miyata ..... 701/201  
 2011/0065460 A1 3/2011 Kimishima ..... 55/457

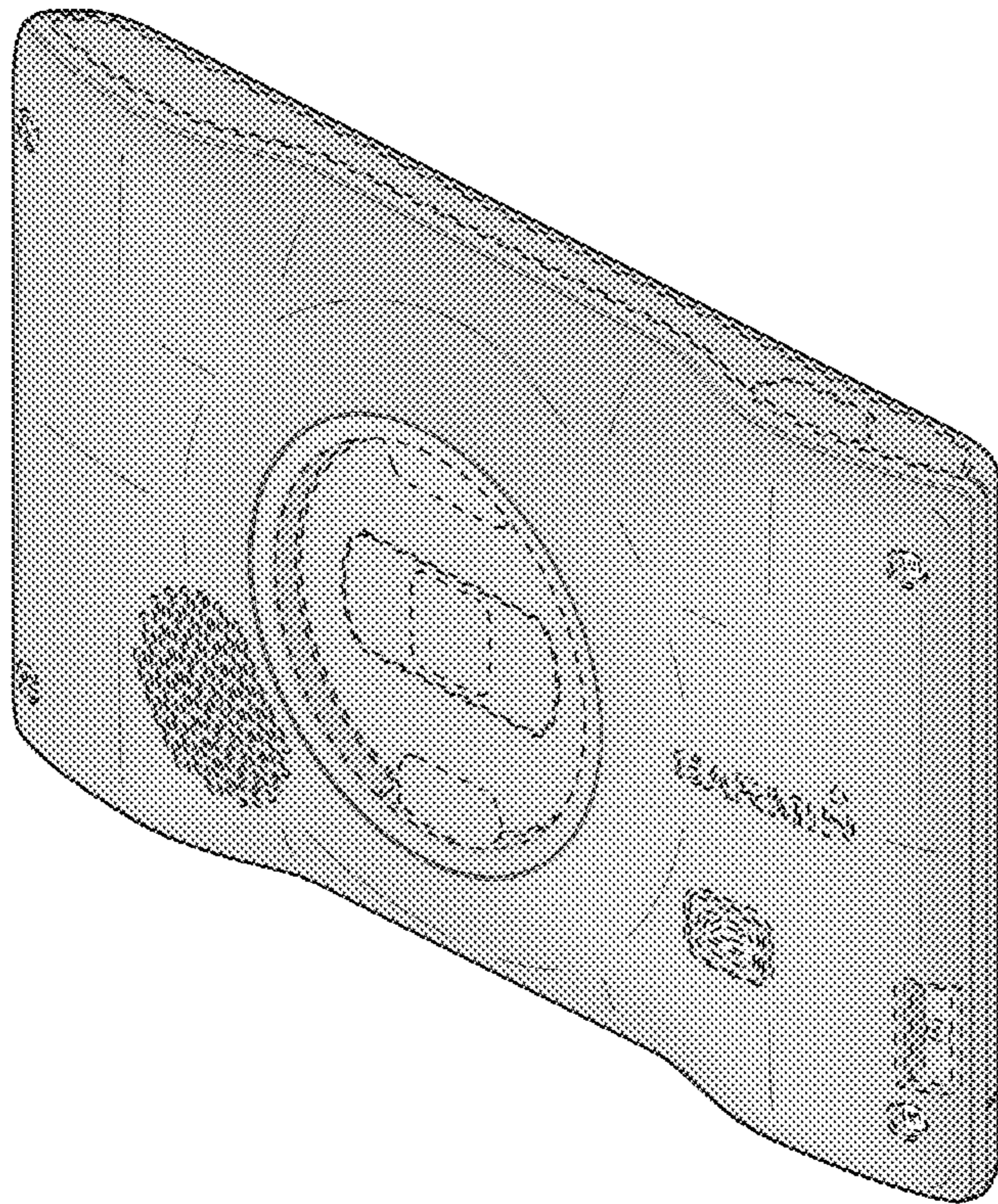
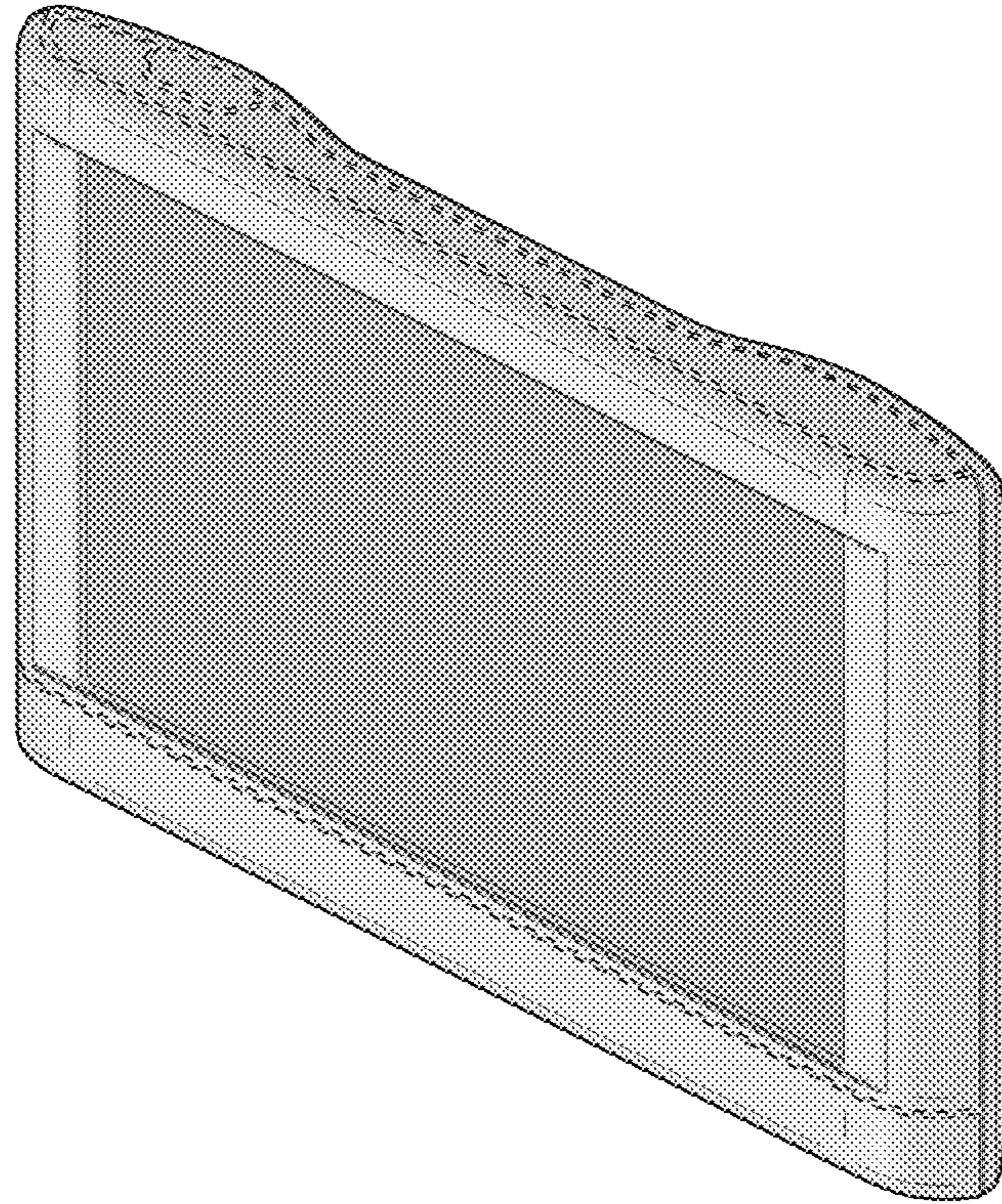
OTHER PUBLICATIONS

Printout from <http://uk.hardware.info/productinfo/138683/navigon-72-premium-44> published prior to Jan. 2, 2013.  
 Printout from <http://www.automotto.com/entry/navigon-presents-porsche-navigator-p9611/> published prior to Jan. 2, 2013.  
 Printout from [http://www.dieselboss.com/travroutrand\\_mcnally\\_tnd500\\_gps.htm](http://www.dieselboss.com/travroutrand_mcnally_tnd500_gps.htm) published prior to Jan. 2, 2013.  
 Printout from <http://www.engadget.com/2009/09/07/navigon-diz-zies-with-navigation-options-then-gets-us-pointed-in/?m=false> published prior to Jan. 2, 2013.  
 Printout from <http://www.engadget.com/2009/10/20/imac-line-updated-with-16-9-displays-quad-core-core-i5-model/> published prior to Jan. 2, 2013.  
 Printout from <http://www.pocket-lint.com/news/32762/navigon-2510-explorer-ideal-tourists> published prior to Jan. 2, 2013.  
 Printout from [http://www.reghardware.com/2010/10/11/review\\_satnav\\_navigon\\_70\\_plus/page2.html](http://www.reghardware.com/2010/10/11/review_satnav_navigon_70_plus/page2.html) published prior to Jan. 2, 2013.  
 Printout from [http://www.tomtom.com/en\\_us/products/car-navigation/start-55-tm/index.jsp](http://www.tomtom.com/en_us/products/car-navigation/start-55-tm/index.jsp) published prior to Jan. 2, 2013.  
 Design U.S. Appl. No. 29/369,086, filed Sep. 2, 2010.  
 Design U.S. Appl. No. 29/369,090, filed Sep. 2, 2010.

\* cited by examiner

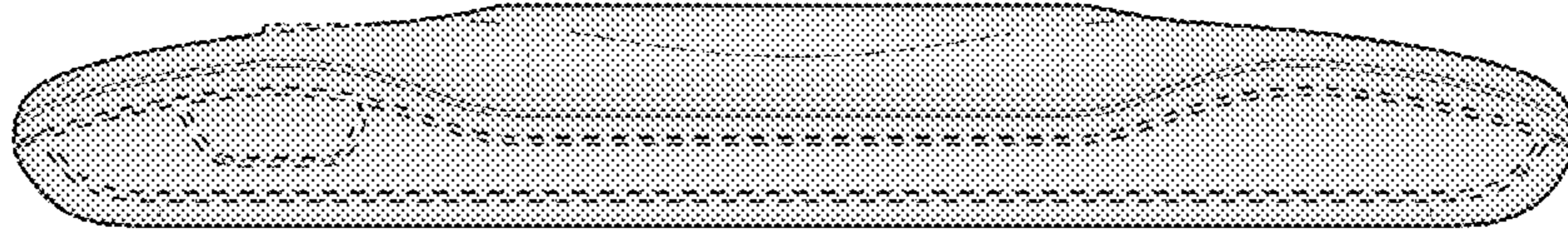


*Fig. 1*

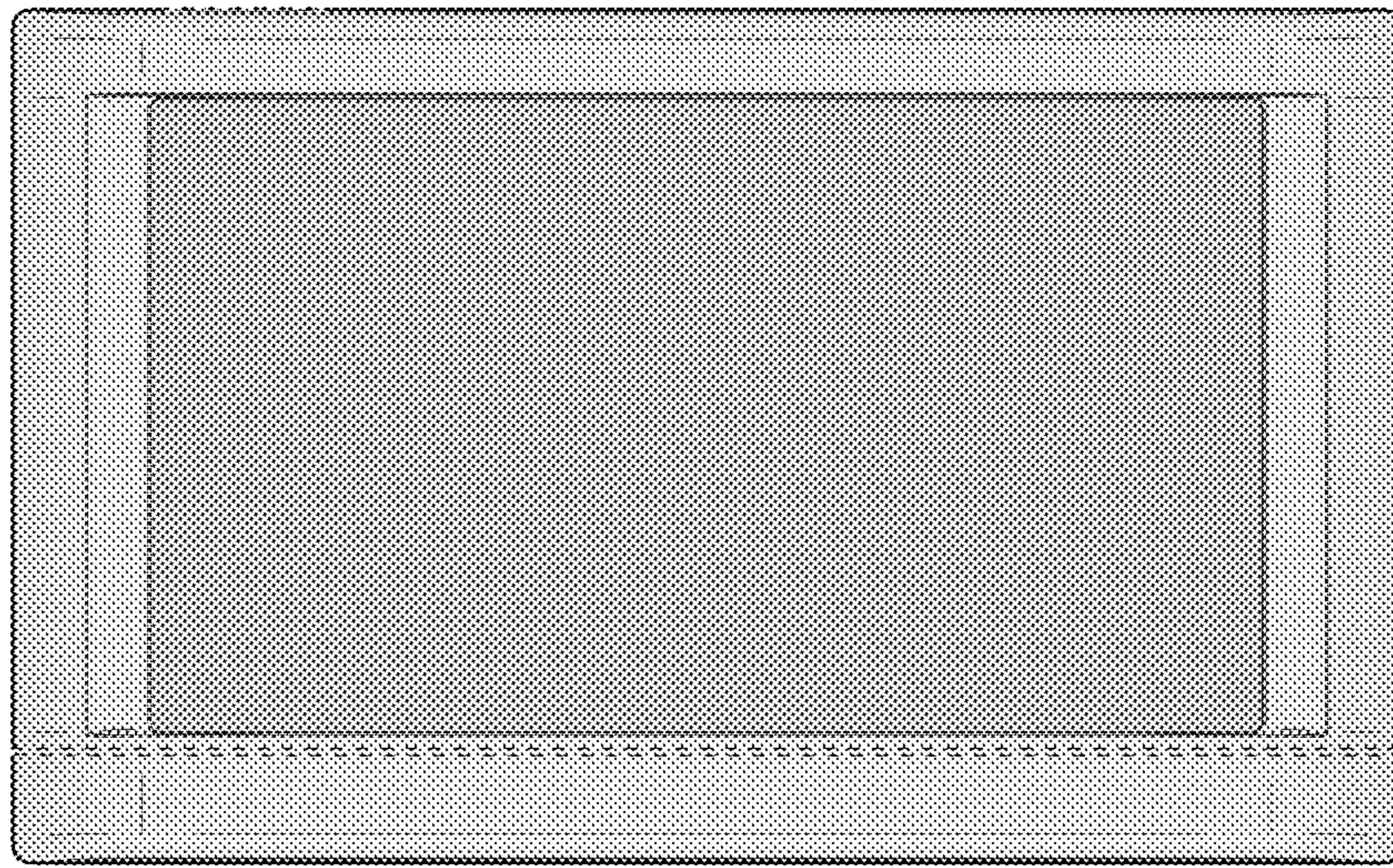


*Fig. 2*

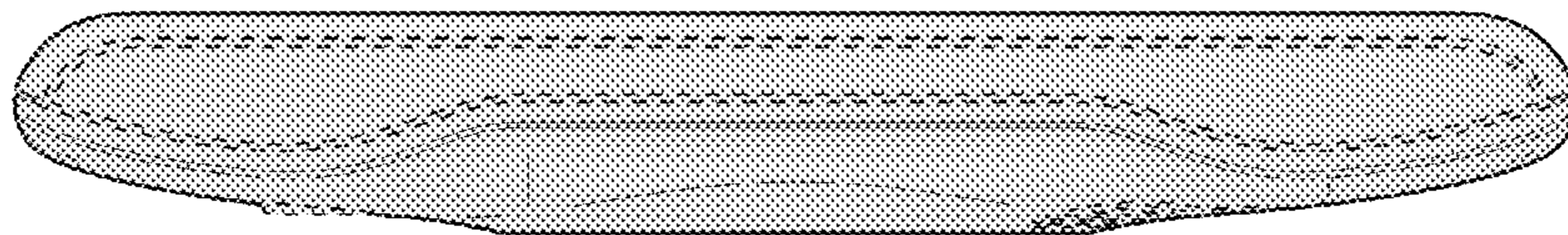




*Fig. 3*

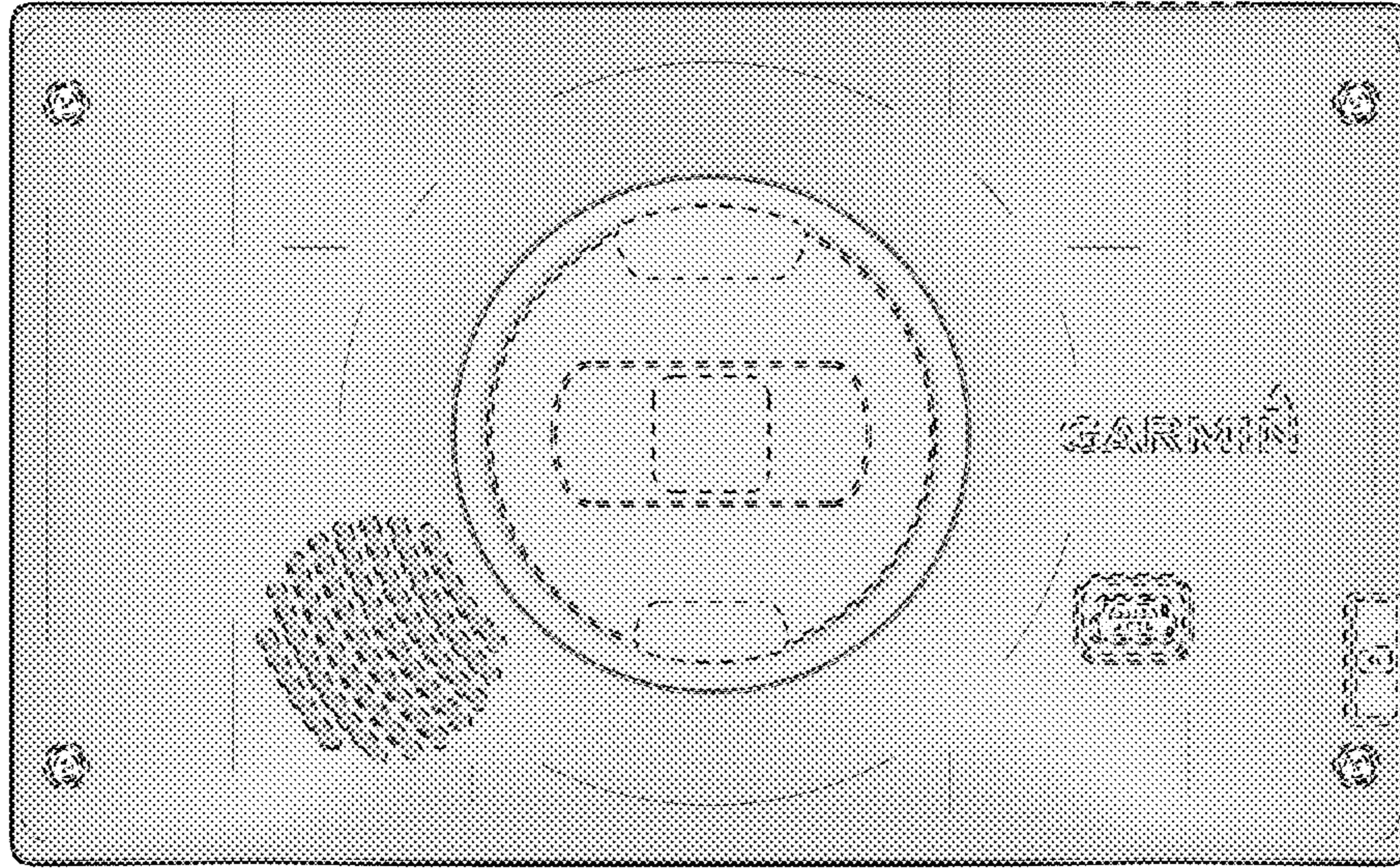


*Fig. 4*

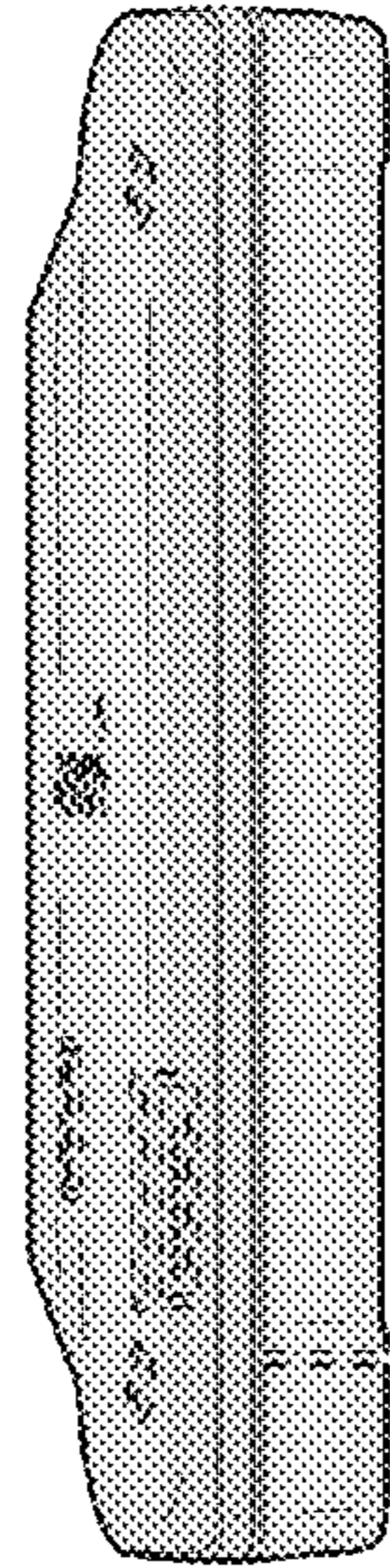


*Fig. 5*

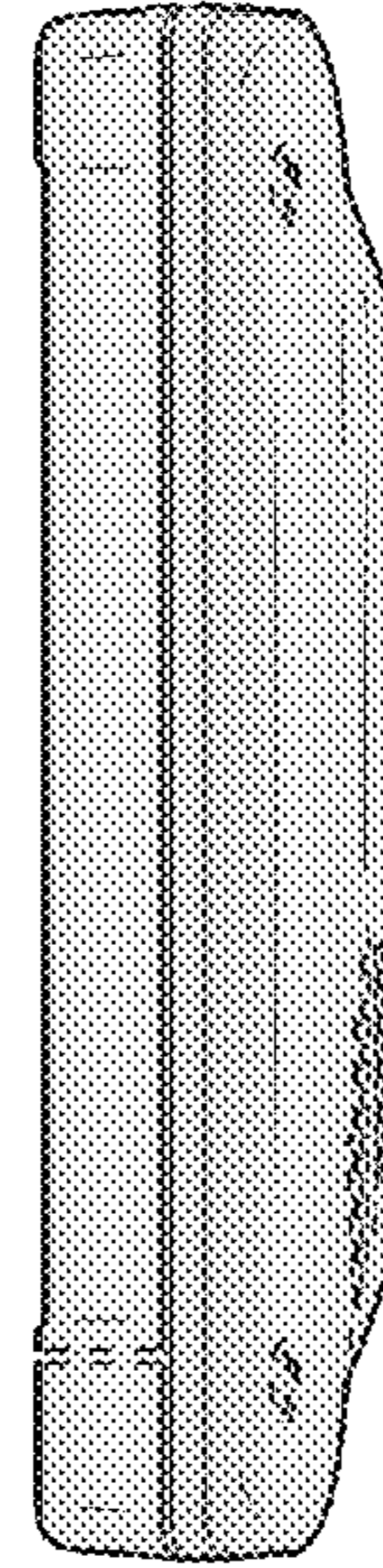




*Fig. 6*



*Fig. 7*



*Fig. 8*