



US00D708061S

(12) **United States Design Patent**
Orasche

(10) **Patent No.:** **US D708,061 S**

(45) **Date of Patent:** **** Jul. 1, 2014**

(54) **SPRAY CAP**

(71) Applicant: **Magdalena Orasche**, Freyung (DE)

(72) Inventor: **Magdalena Orasche**, Freyung (DE)

(73) Assignee: **Aptar Radolfzell GmbH**, Radolfzell (DE)

(**) Term: **14 Years**

(21) Appl. No.: **29/451,041**

(22) Filed: **Mar. 27, 2013**

(30) **Foreign Application Priority Data**

Oct. 5, 2012 (EP) 001346159

(51) **LOC (10) Cl.** **09-01**

(52) **U.S. Cl.**
USPC **D9/445; D9/499**

(58) **Field of Classification Search**
CPC B65D 41/62; A61J 1/1412
USPC D9/434, 435, 436, 445, 448, 499;
220/252, 254.7, 724, 730, 731;
215/216, 317
See application file for complete search history.

(56) **References Cited**

U.S. PATENT DOCUMENTS

4,521,676 A * 6/1985 Poulsen 235/375
5,088,611 A * 2/1992 Katz 215/230
5,273,086 A * 12/1993 Estibal 141/89
D368,032 S * 3/1996 Couto D9/435
D420,595 S * 2/2000 Herrmann D9/529
6,217,136 B1 * 4/2001 Dorfman et al. 312/135
D471,808 S * 3/2003 de Castro Couto D9/435
D592,054 S * 5/2009 Floyd et al. D9/435
D600,121 S * 9/2009 Marotti et al. D9/454

D639,168 S * 6/2011 Seys D9/522
D646,570 S * 10/2011 Heidel et al. D9/454
D656,022 S * 3/2012 Thielman et al. D9/435
D671,166 S * 11/2012 Papenfuß D19/35

* cited by examiner

Primary Examiner — Robert M Spear

(74) *Attorney, Agent, or Firm* — Flynn, Thiel, Boutell & Tanis, P.C.

(57) **CLAIM**

The ornamental design for a spray cap, as shown and described.

DESCRIPTION

FIG. 1 is a top rear perspective view of a spray cap showing my new design;

FIG. 2 is a rear elevational view thereof;

FIG. 3 is a front elevational view thereof;

FIG. 4 is a right side elevational view thereof;

FIG. 5 is a top plan view thereof;

FIG. 6 is a bottom plan view thereof;

FIG. 7 is a top rear perspective view of a spray cap showing my new design in the environment of a pump and bottle;

FIG. 8 is a rear elevational view thereof in the environment of a pump and bottle;

FIG. 9 is a front elevational view thereof in the environment of a pump and bottle;

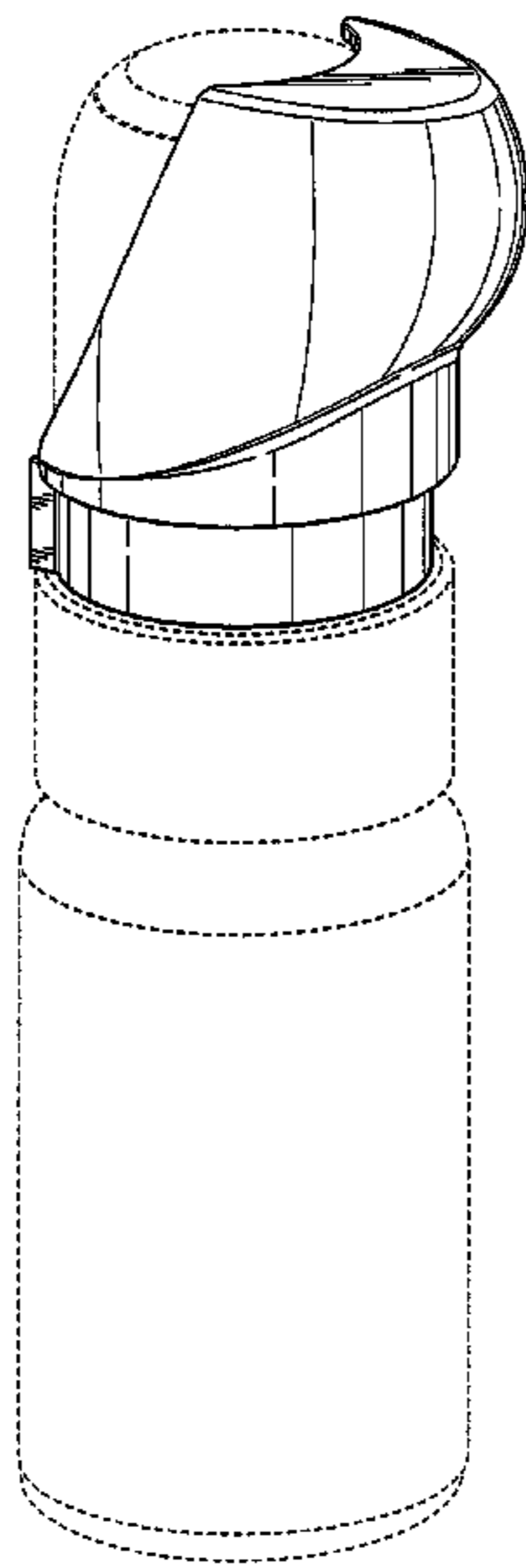
FIG. 10 is a right side elevational view thereof in the environment of a pump and bottle;

FIG. 11 is a top plan view thereof in the environment of a pump and bottle; and,

FIG. 12 is a bottom plan view thereof in the environment of a pump and bottle.

The broken lines depict environmental subject matter only and form no part of the claimed design. The left view of the spray cap is a mirror image of the right view shown in FIGS. 4 and 10.

1 Claim, 12 Drawing Sheets



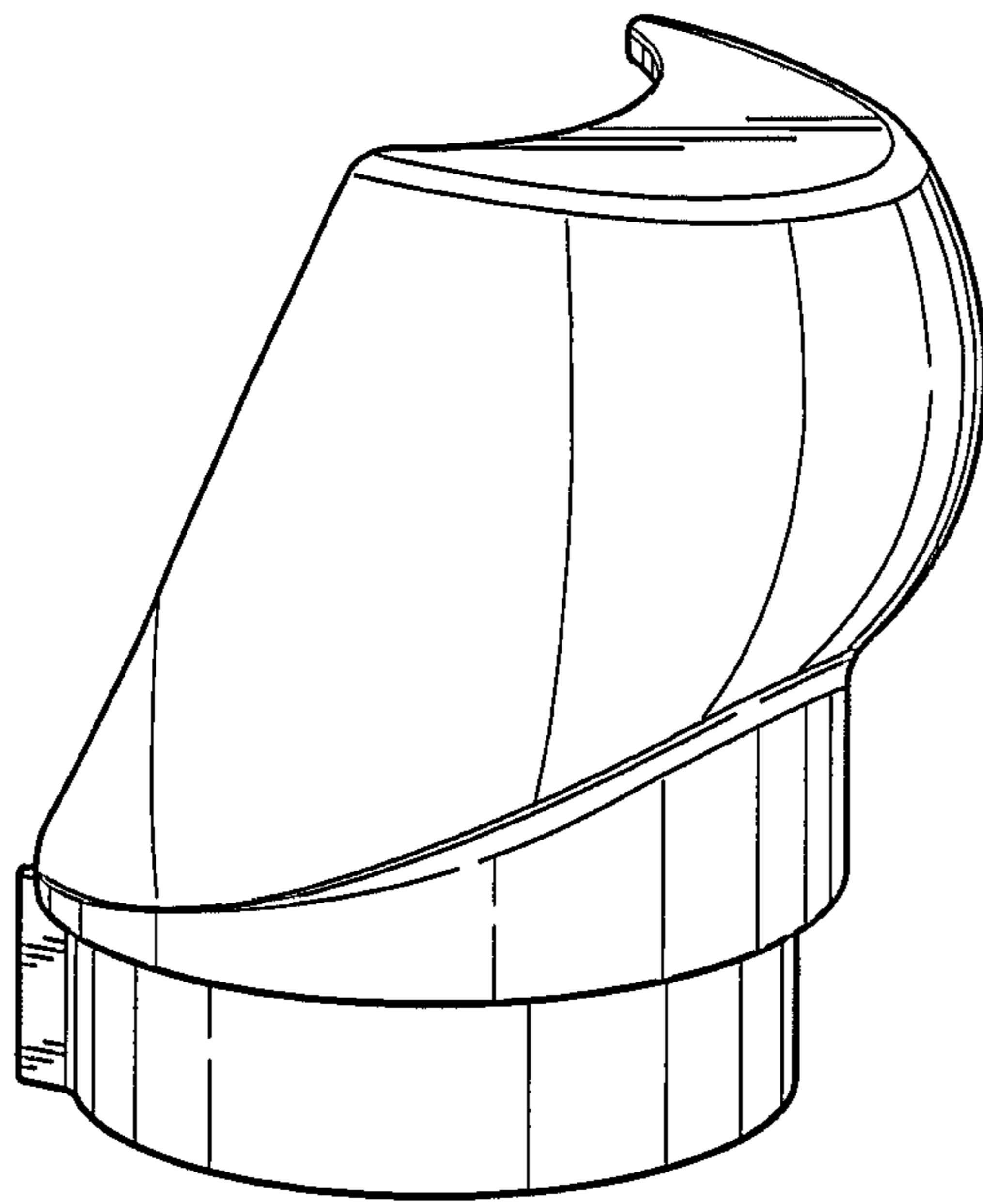


FIG. 1

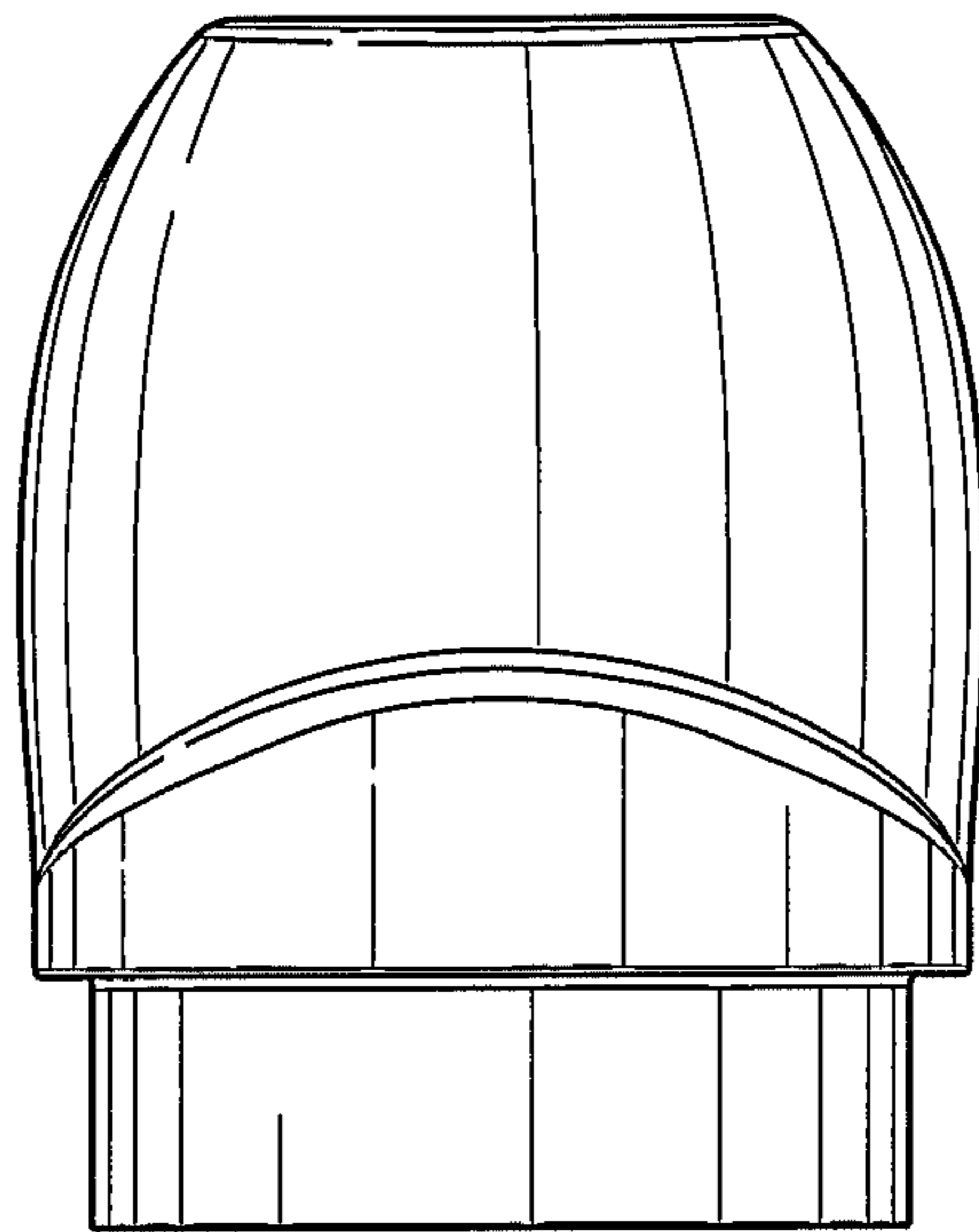


FIG. 2

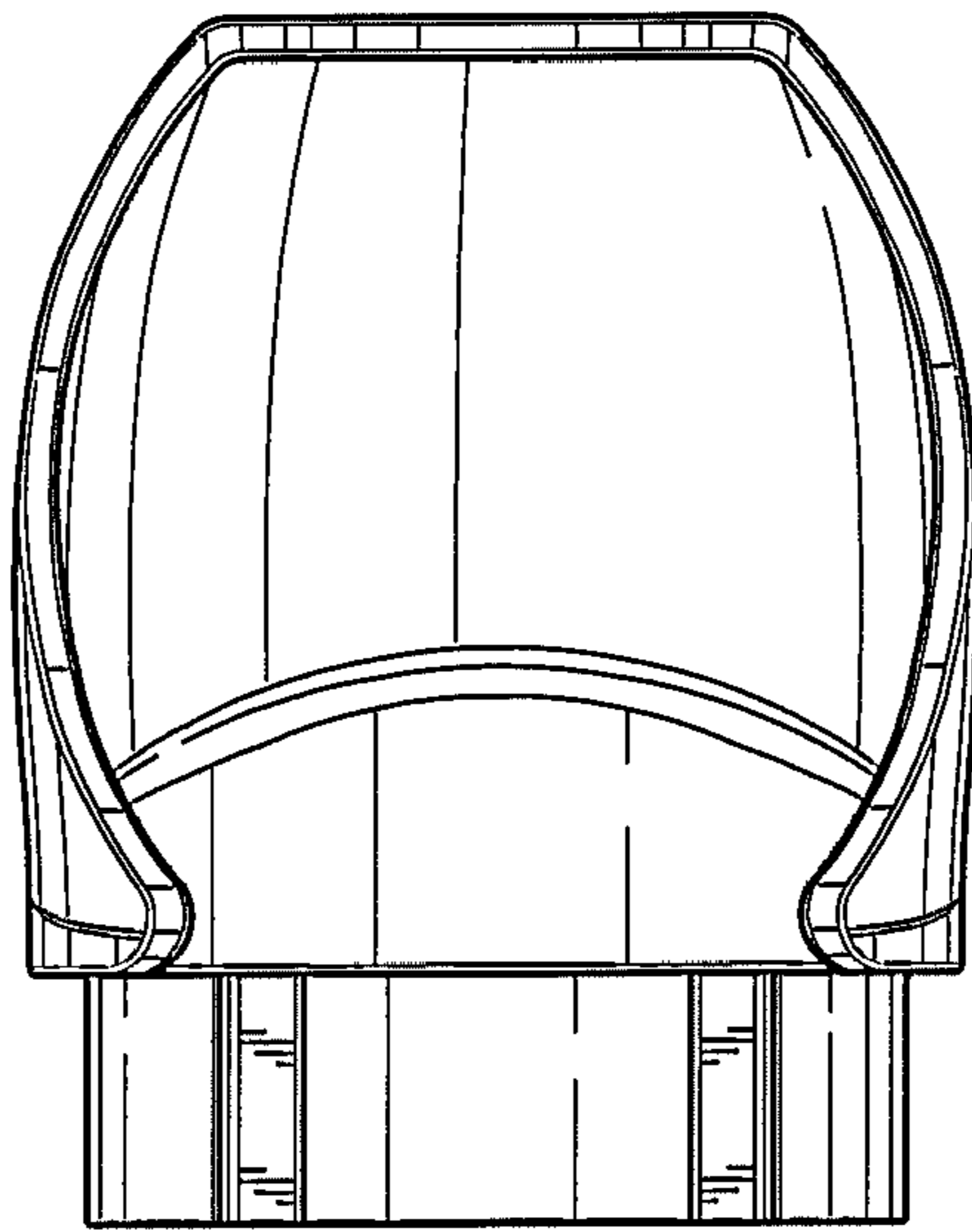


FIG. 3

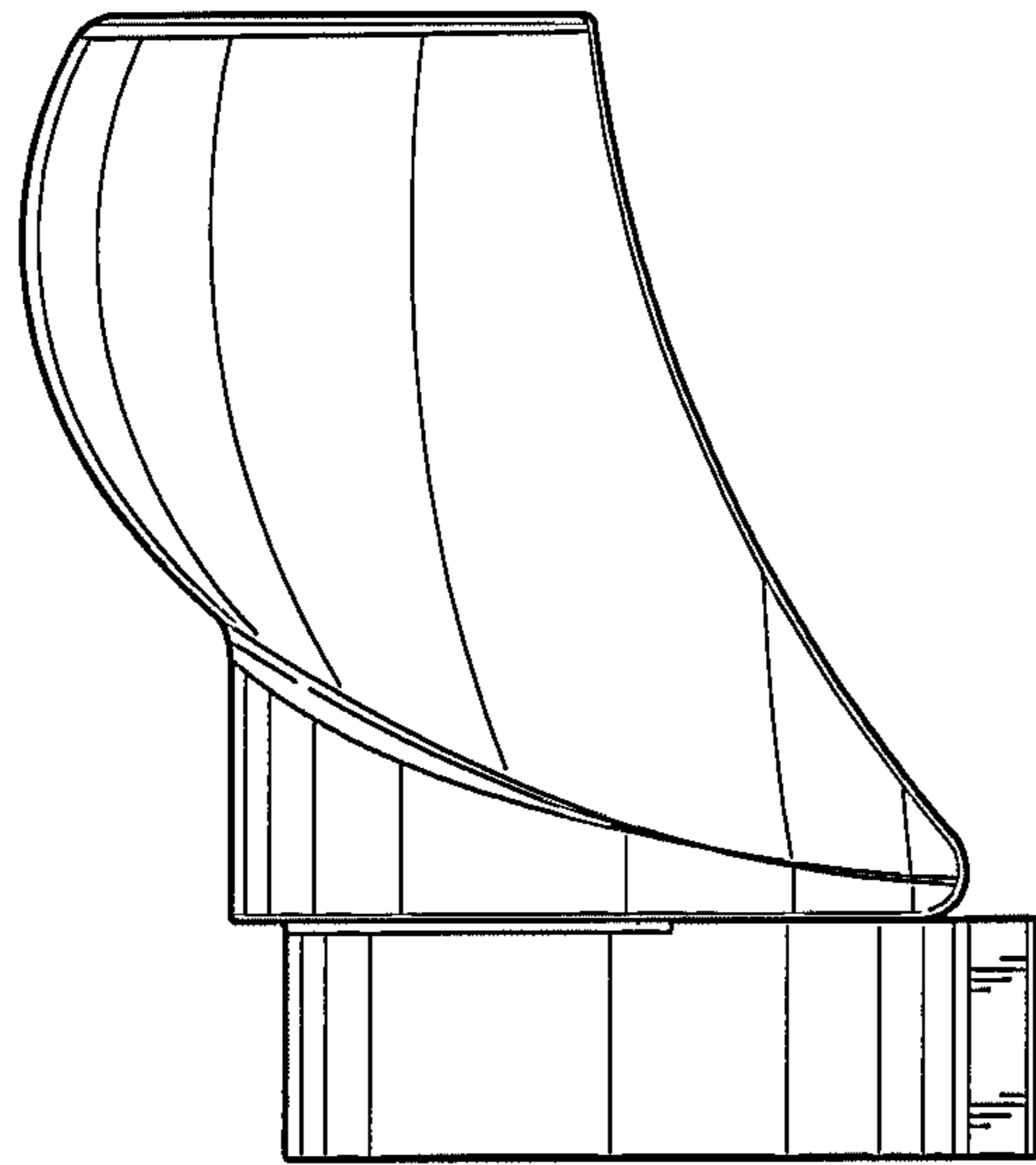


FIG. 4

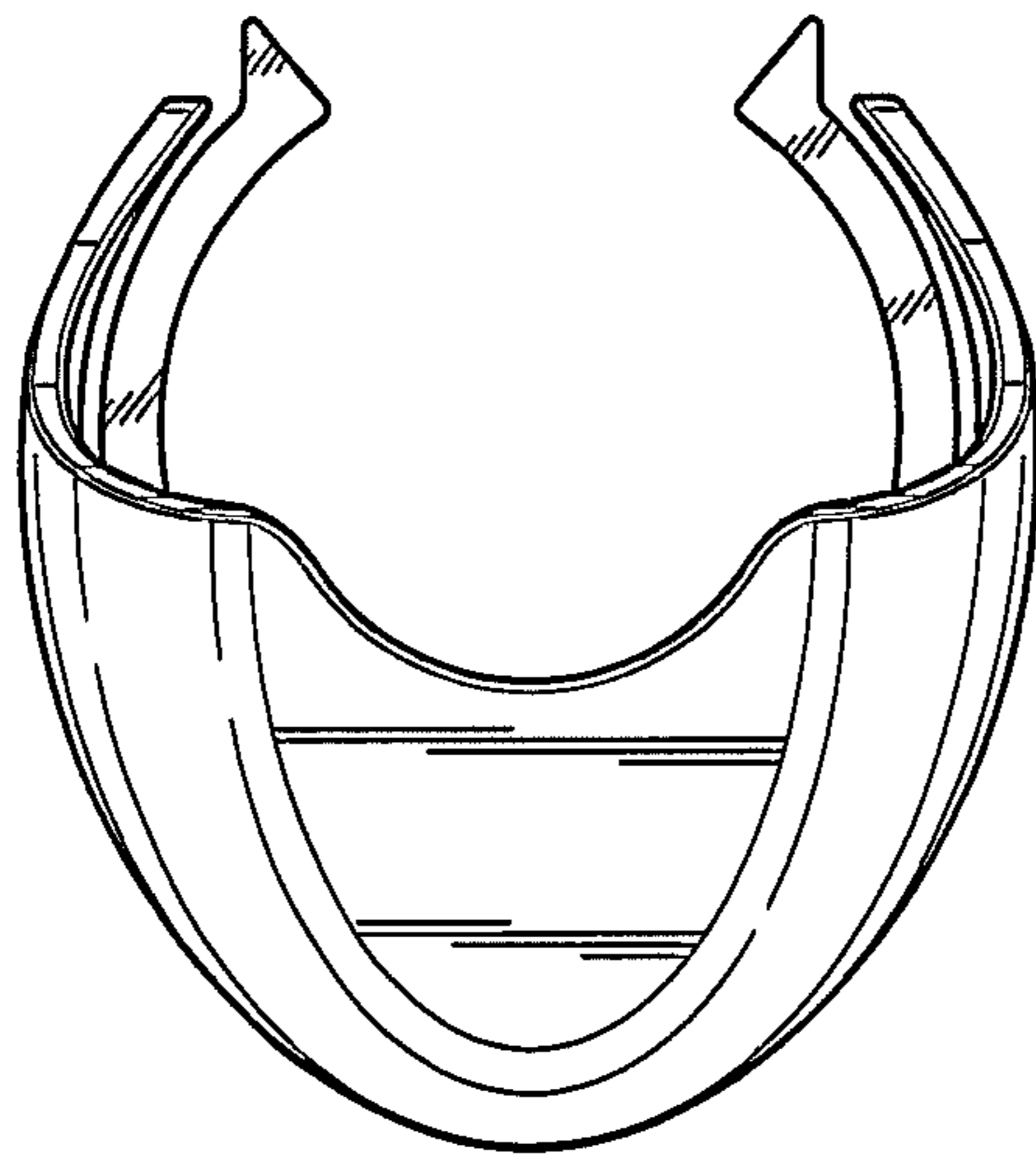


FIG. 5

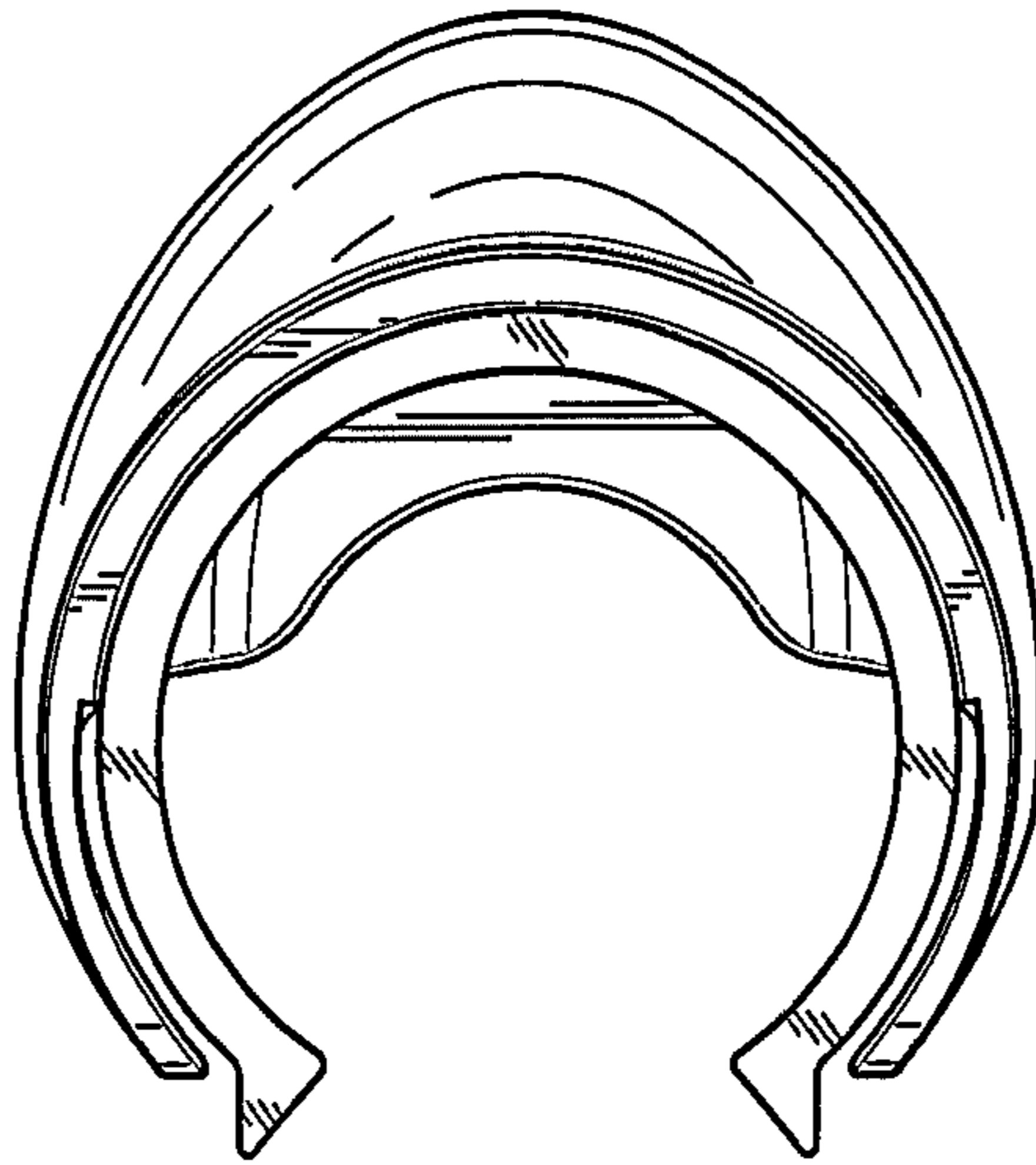


FIG. 6

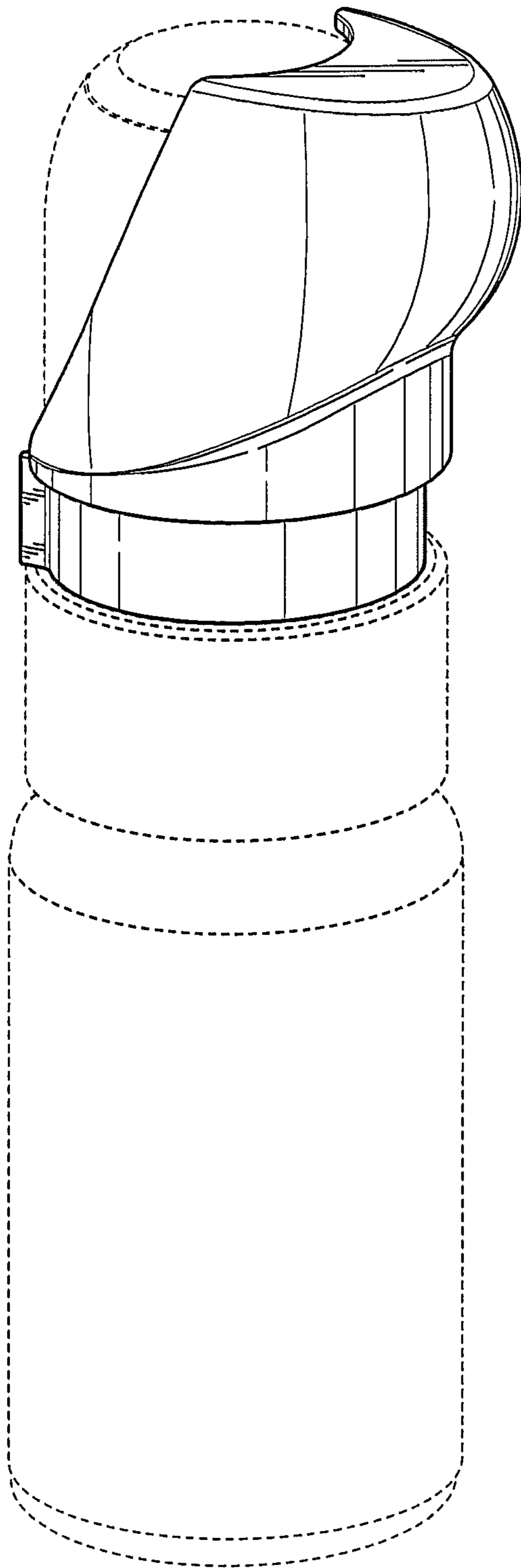


FIG. 7

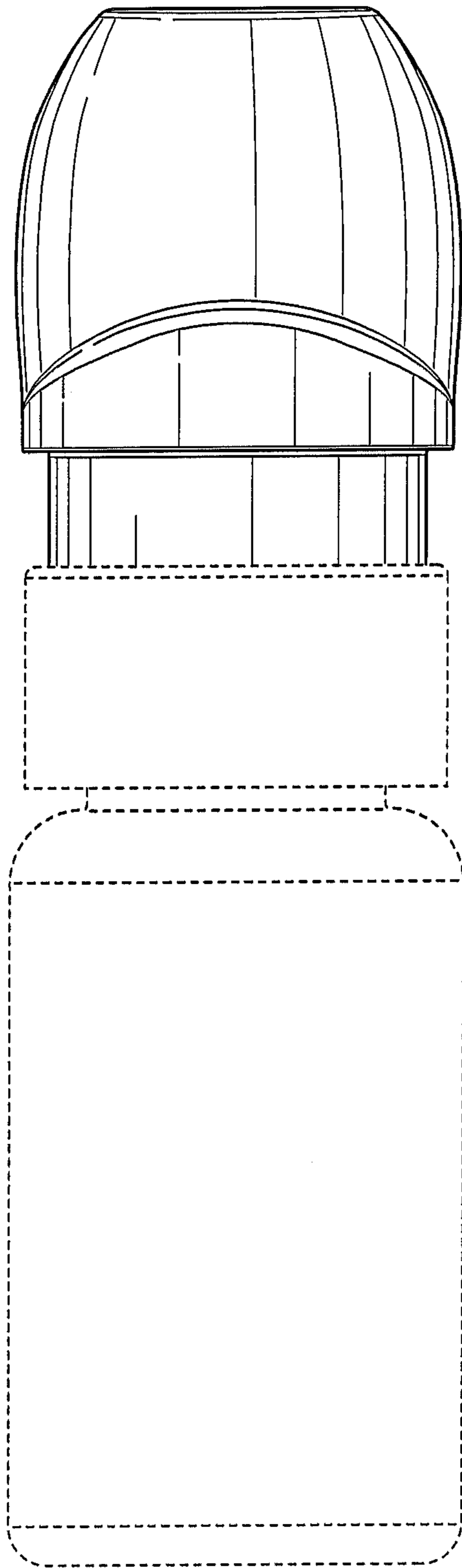


FIG. 8

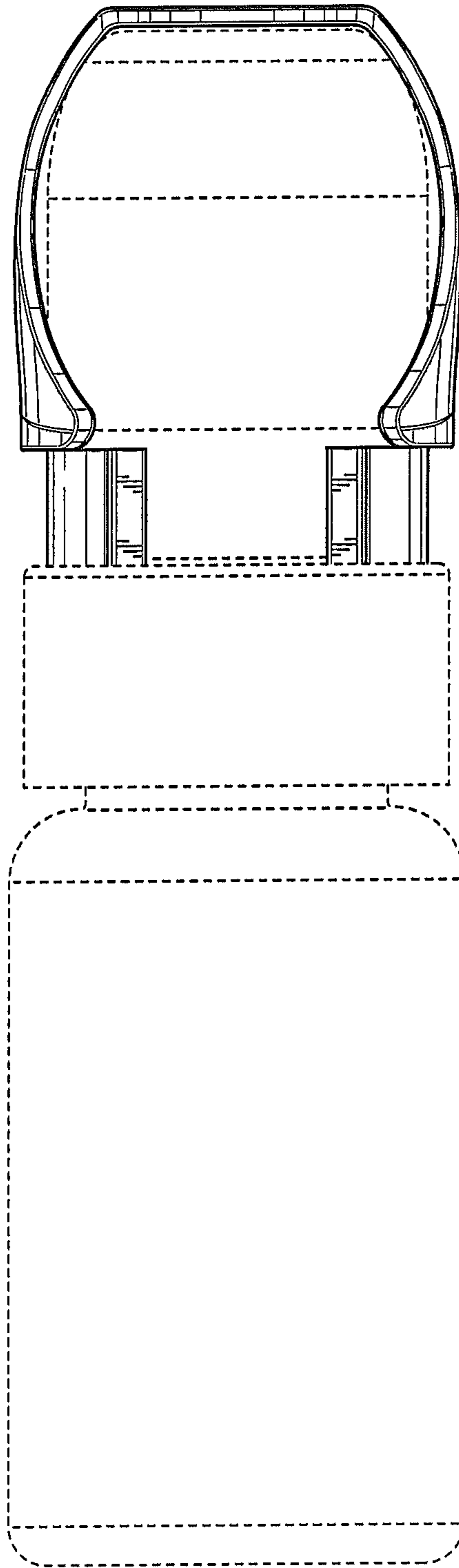


FIG. 9

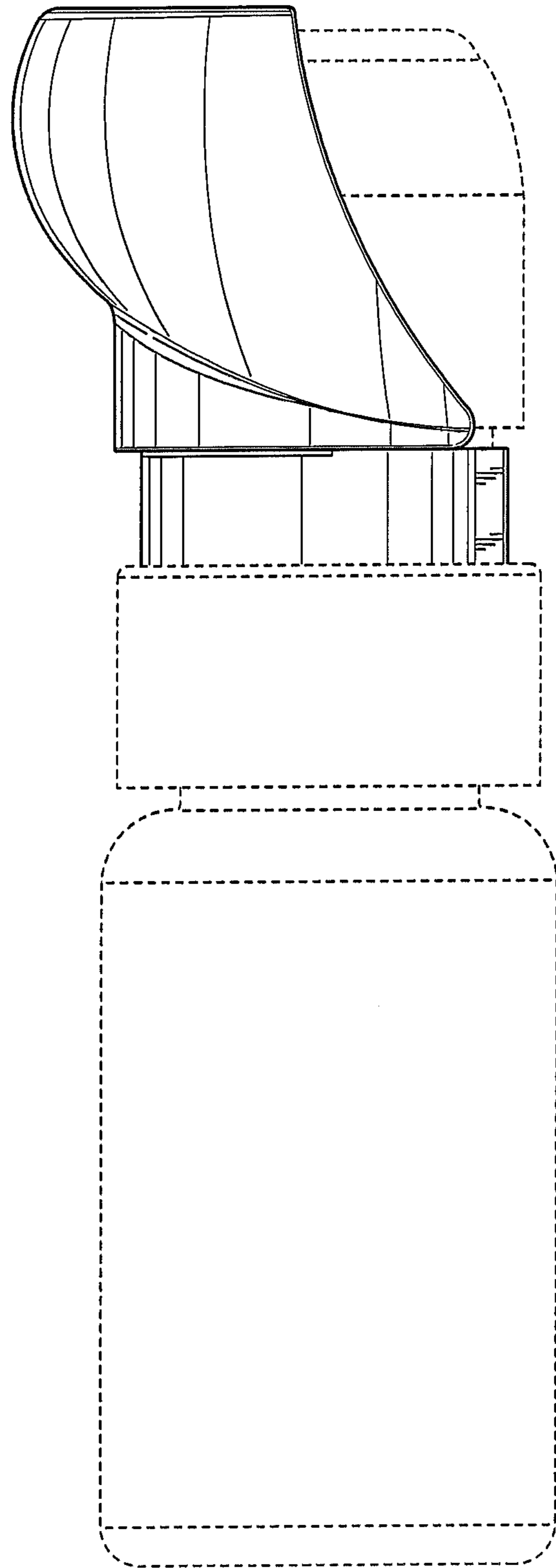


FIG. 10

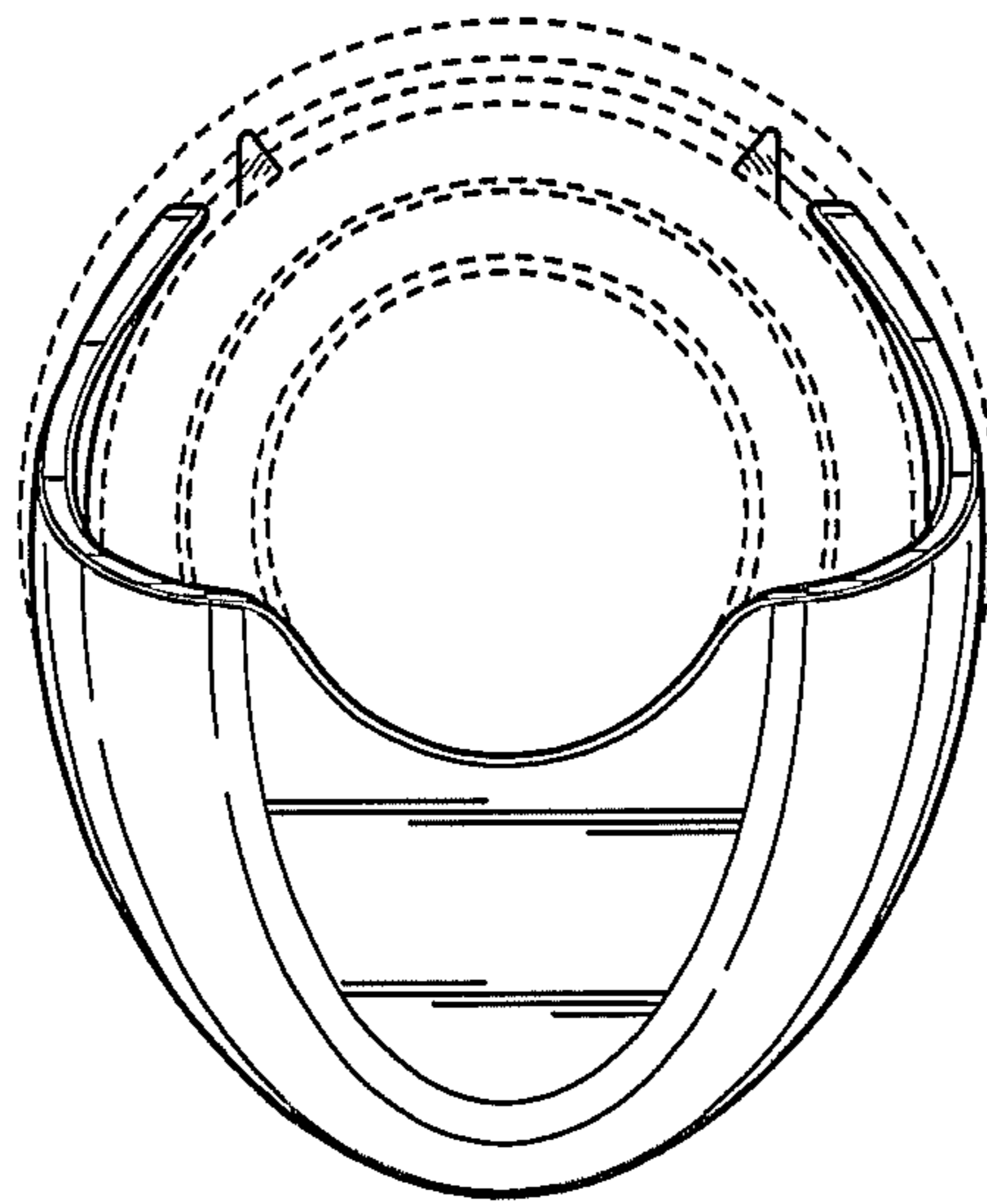


FIG. 11

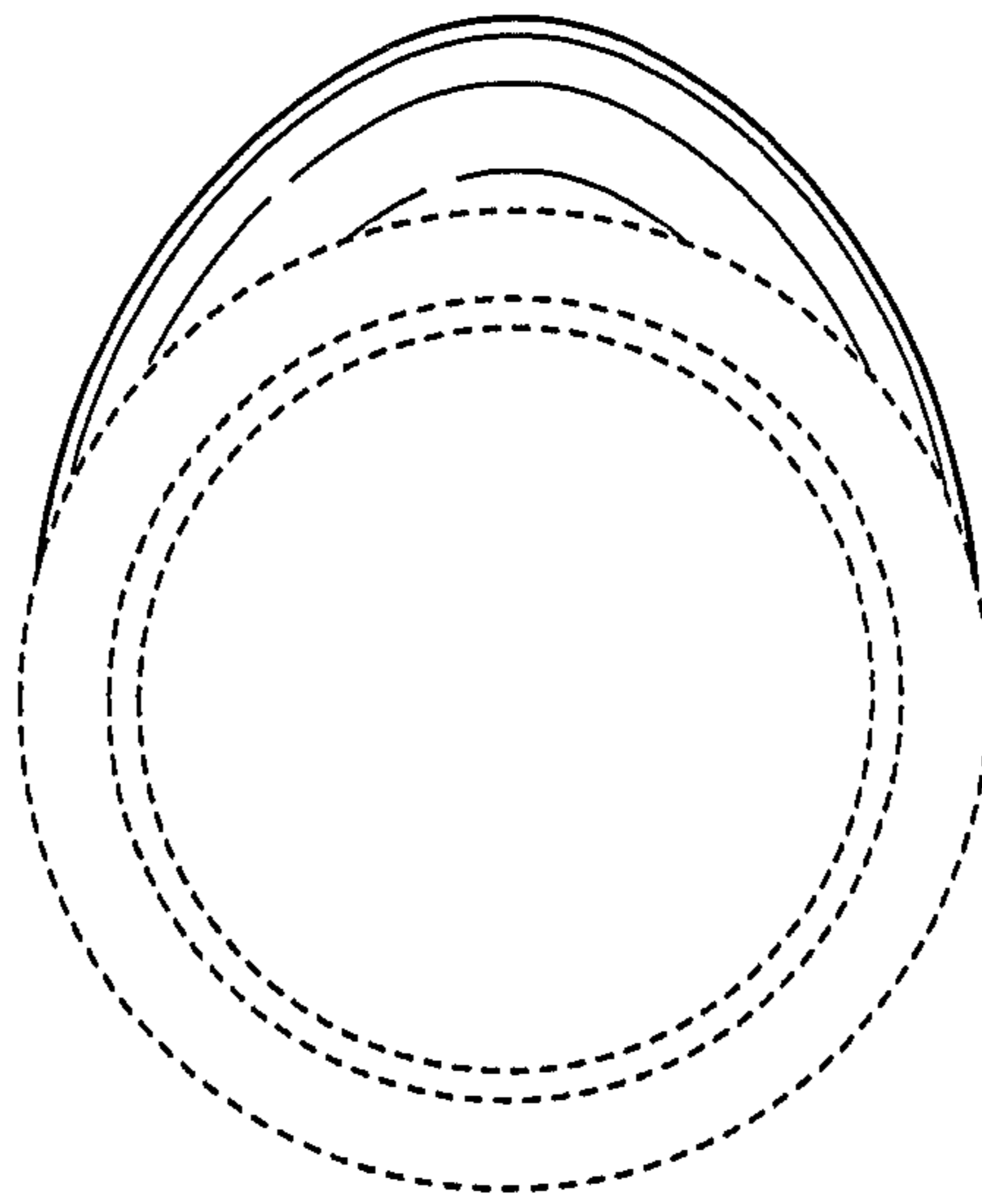


FIG. 12