



US00D708059S

(12) **United States Design Patent**
Hickey et al.

(10) **Patent No.:** **US D708,059 S**
(45) **Date of Patent:** **** Jul. 1, 2014**

(54) **CONTAINER COVER**

(75) Inventors: **Talia Salamon Hickey**, Marlton, NJ (US); **John Baranowski**, Bensalem, PA (US); **John Michael McComb**, Cherry Hill, NJ (US); **Timothy Michael Brown**, Harleysville, PA (US); **Jamie Melissa Clark**, Philadelphia, PA (US)

D325,168	S	*	4/1992	Dlabac	D9/431
D402,197	S	*	12/1998	Poulin	D9/712
D412,570	S	*	8/1999	Szwartz	D23/374
D459,652	S	*	7/2002	Beutler	D9/433
D495,209	S	*	8/2004	Tranfaglia et al.	D7/512
D588,453	S	*	3/2009	Glade	D9/430
D589,344	S	*	3/2009	Lang	D9/431
D589,345	S	*	3/2009	Lang	D9/431
D605,938	S	*	12/2009	Abbott	D9/435
D605,939	S	*	12/2009	Abbott	D9/435

(73) Assignee: **Campbell Soup Company**, Camden, NJ (US)

FOREIGN PATENT DOCUMENTS

(**) Term: **14 Years**

GB 3013774 * 8/2003

* cited by examiner

(21) Appl. No.: **29/430,200**

Primary Examiner — Susan Bennett Hattan

(22) Filed: **Aug. 22, 2012**

Assistant Examiner — Leanne Was

(51) **LOC (10) Cl.** **09-07**

(74) *Attorney, Agent, or Firm* — Pauly, Devries, Smith & Deffner, LLC.

(52) **U.S. Cl.**

USPC **D9/435**

(57) **CLAIM**

(58) **Field of Classification Search**

USPC D7/316, 396.2, 507, 509, 510, 511, 512, D7/523, 602, 624.2; D9/416, 423, 431, D9/432, 433, 434, 435, 436, 438, 444, 445, D9/452, 454, 455, 456, 516, 517, 520, 635, D9/705; D24/121; D26/51; D34/7; 99/403; 206/232, 390, 453, 522, 583, 754, 755, 206/776; 220/503, 507, 592.16, 592.17, 220/630, 703, 834; 229/103.3, 104, 110, 229/117.14, 125, 128, 400, 402, 404; 362/101; 428/138; 493/480

The ornamental design for a container cover, as shown.

See application file for complete search history.

DESCRIPTION

FIG. 1 is a front perspective view of a container cover in a closed configuration with a cup.
FIG. 2 is a front perspective view of the container cover in an open configuration with a cup.
FIG. 3 is a right side elevational view of the container cover in a closed configuration.
FIG. 4 is a front perspective view of the container cover in a closed configuration.
FIG. 5 is a front perspective view of the container cover in an open configuration.
FIG. 6 is a top plan view of the container cover in a closed configuration; and,
FIG. 7 is a top plan view of the container cover in an open configuration.
The broken lines in the drawing depict environmental subject matter only and form no part of the claimed design.

(56) **References Cited**

U.S. PATENT DOCUMENTS

727,723	A	*	5/1903	Webb	229/153
2,047,804	A	*	7/1936	Shapiro	229/138
3,700,161	A	*	10/1972	Bundy	229/110
D272,130	S	*	1/1984	Miyazaki	D9/431
4,712,725	A	*	12/1987	Moore	229/128
4,930,680	A	*	6/1990	Hanus	229/110

1 Claim, 7 Drawing Sheets

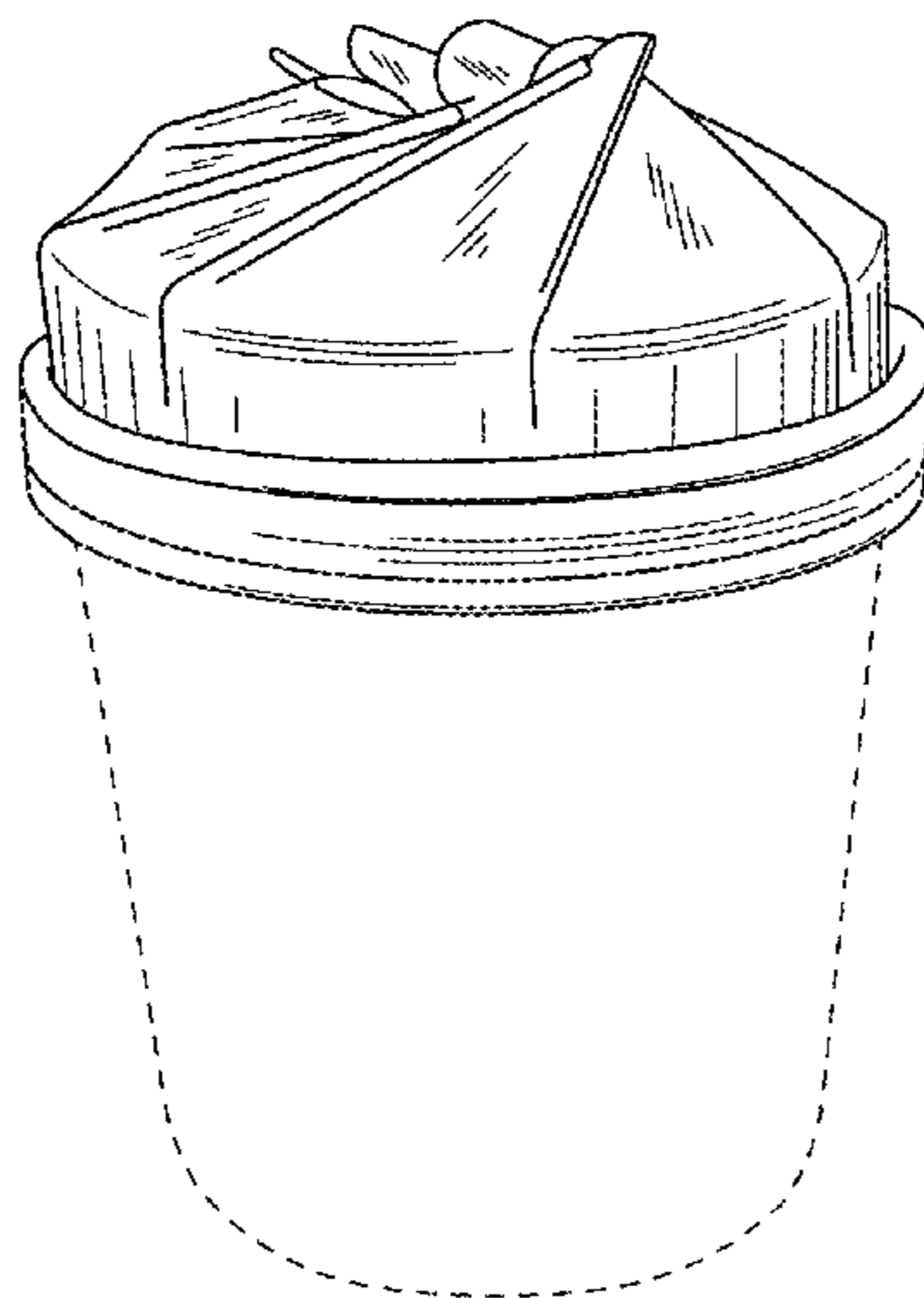




FIG. 1

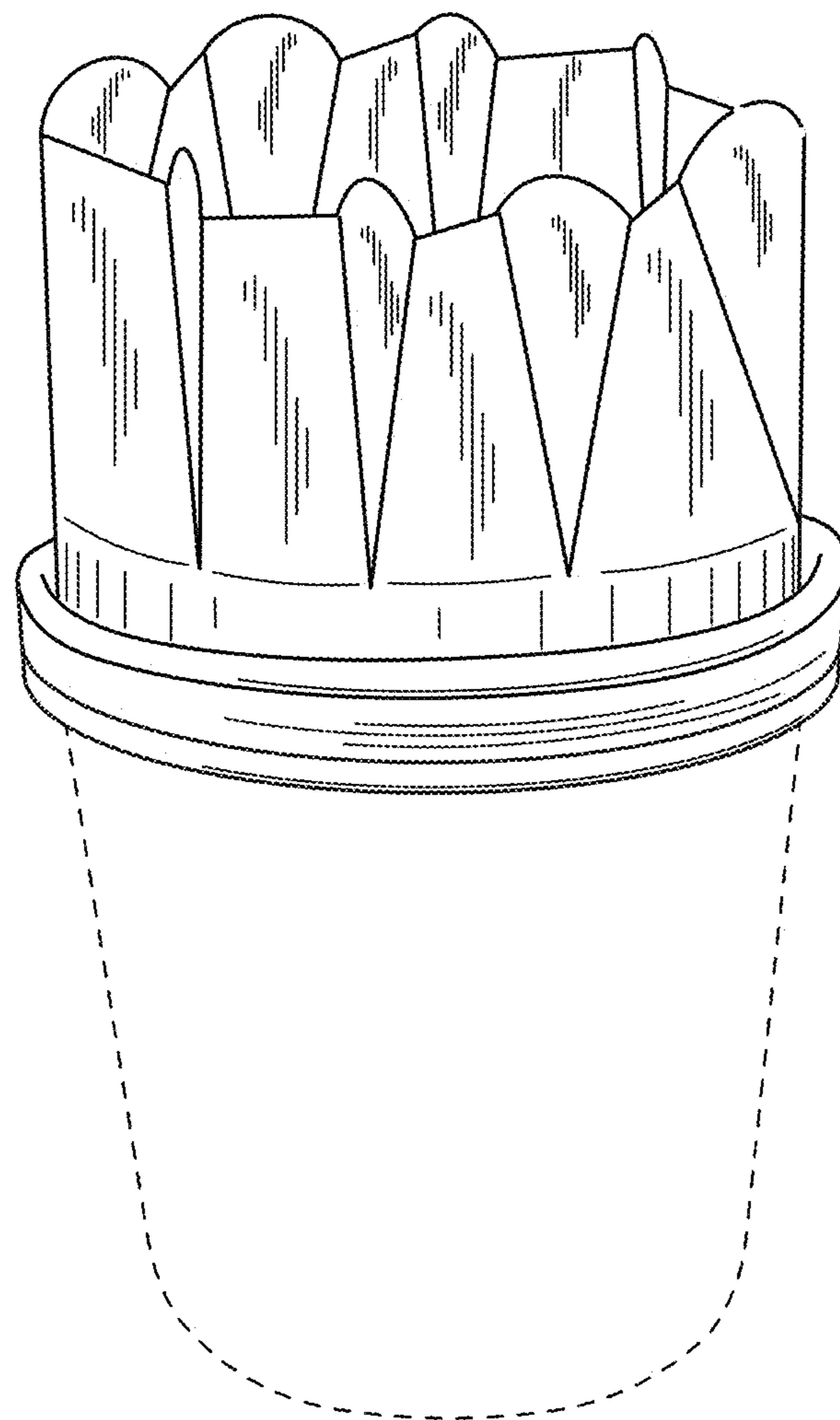


FIG. 2

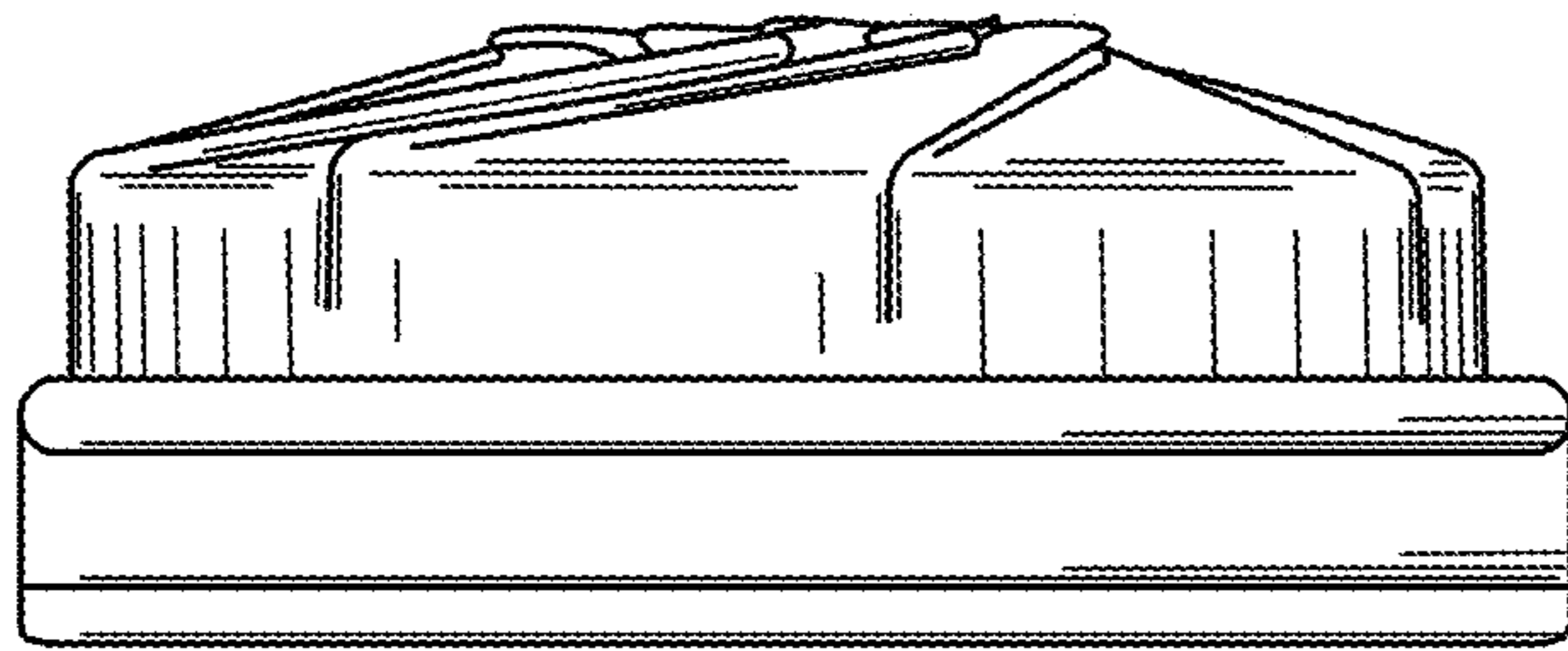


FIG. 3

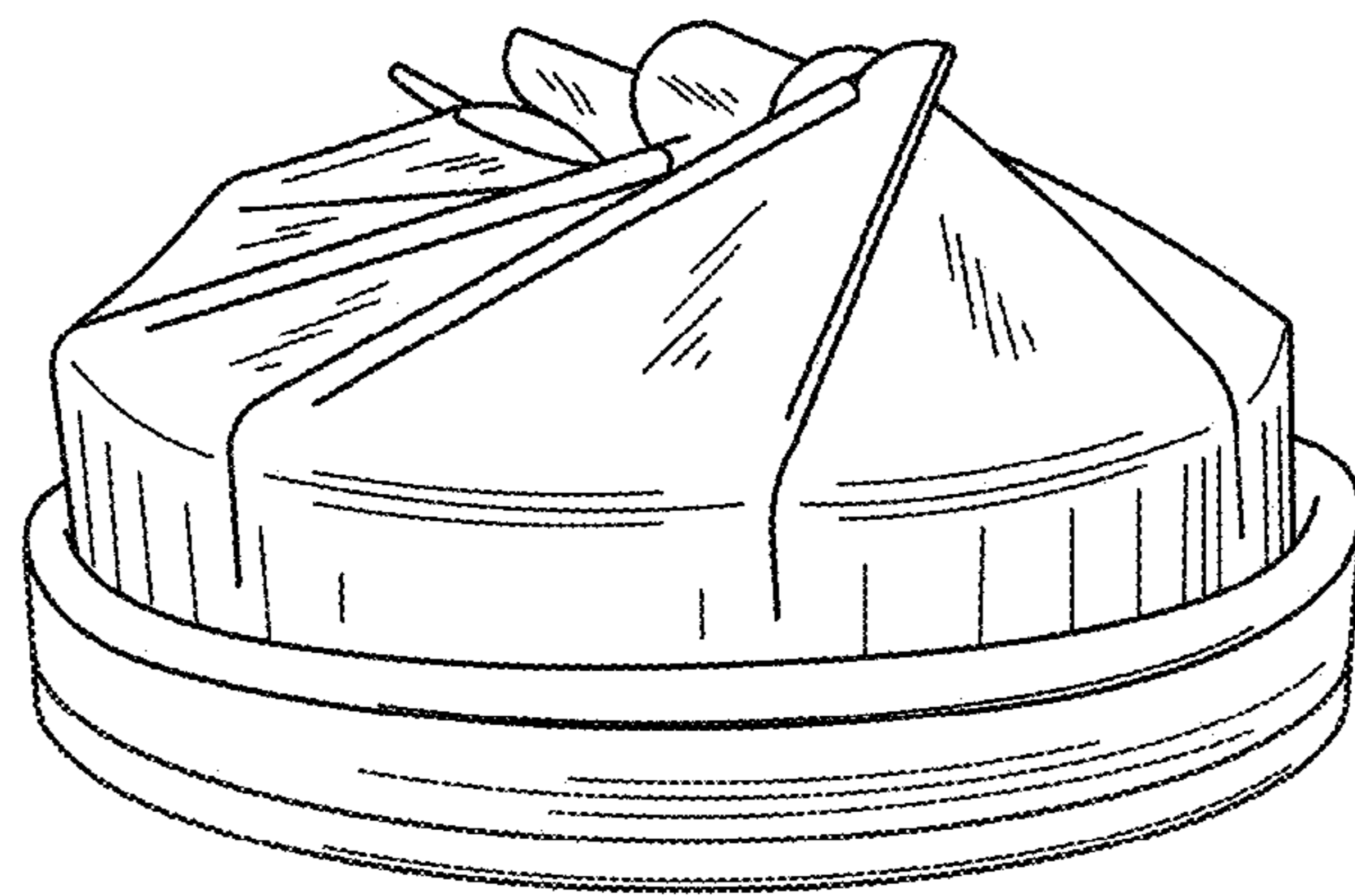


FIG. 4

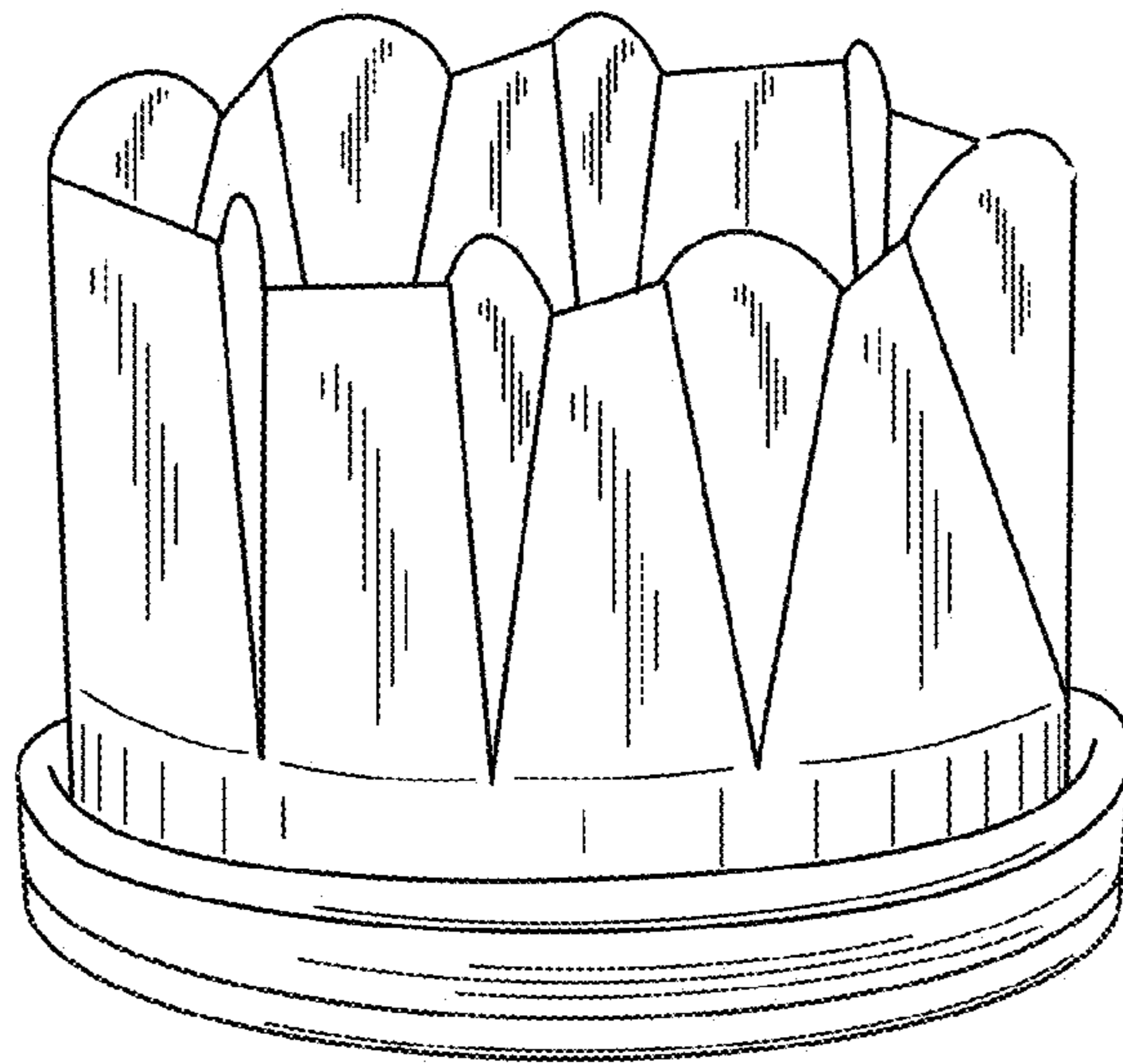


FIG. 5

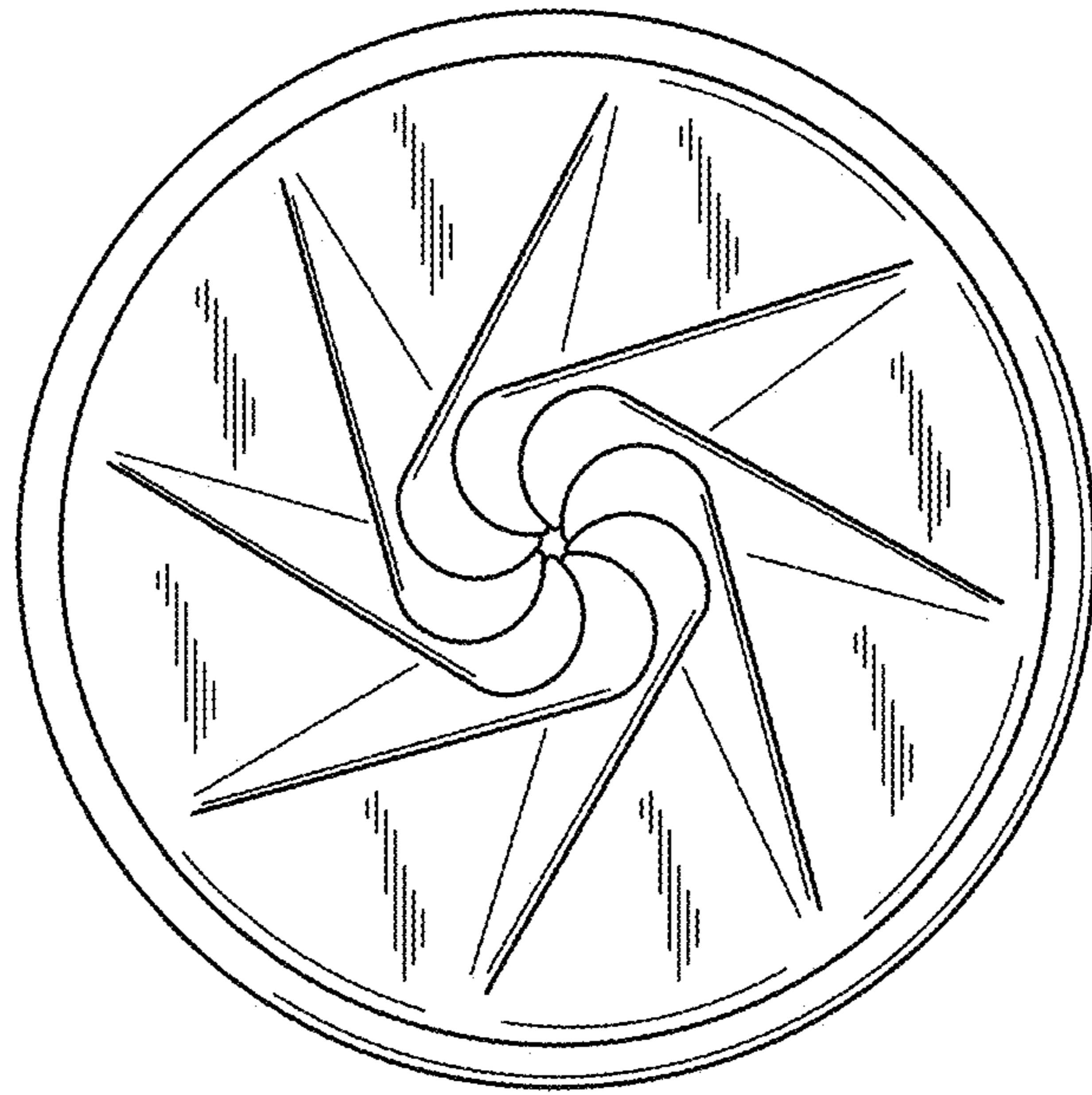


FIG. 6

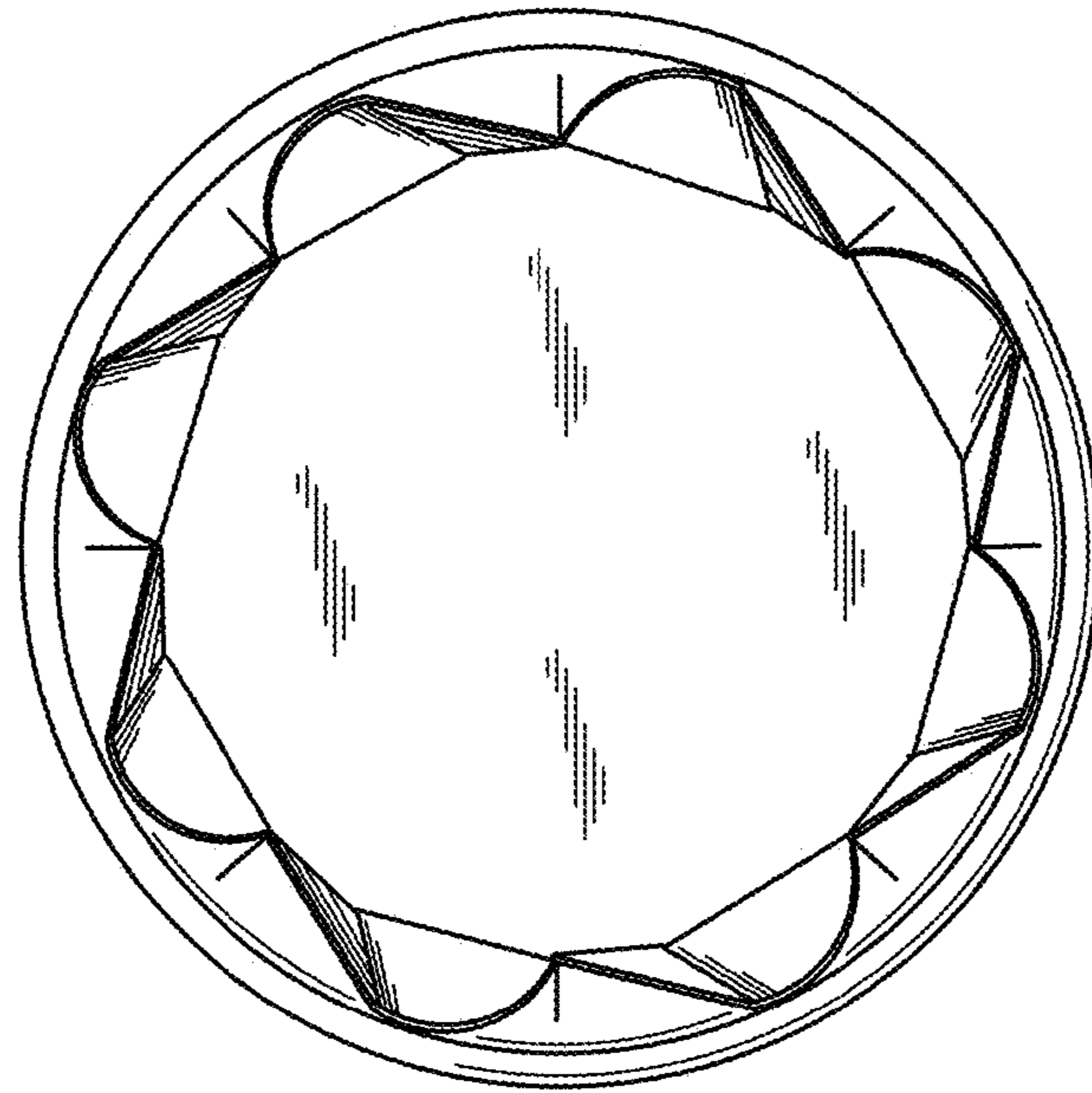


FIG. 7